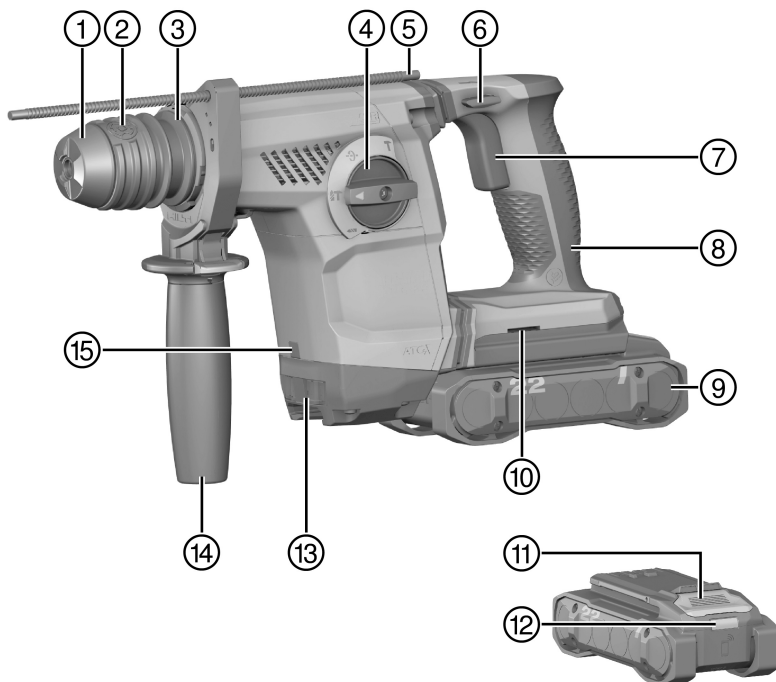


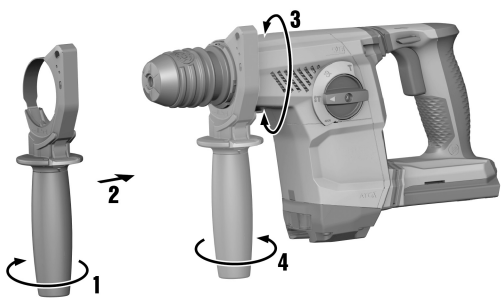


TE 6-22
NURON

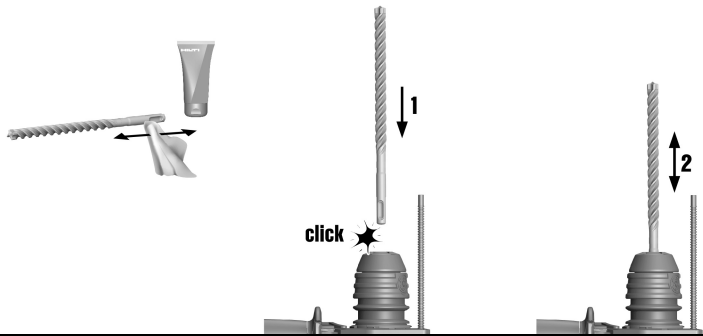
English	1
Dansk	13
Svenska	26
Norsk	38
Suomi	51
Eesti	63
Lietuvių	75
Türkçe	89
عربي	102
日本語	116
한국어	128
繁體中文	140
中文	151
Latviešu	162



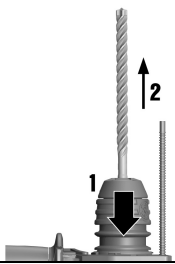
2



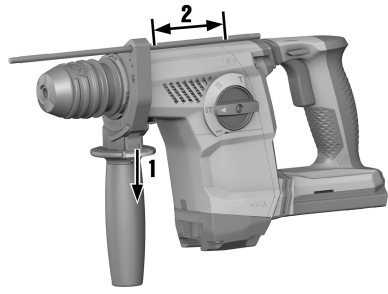
3



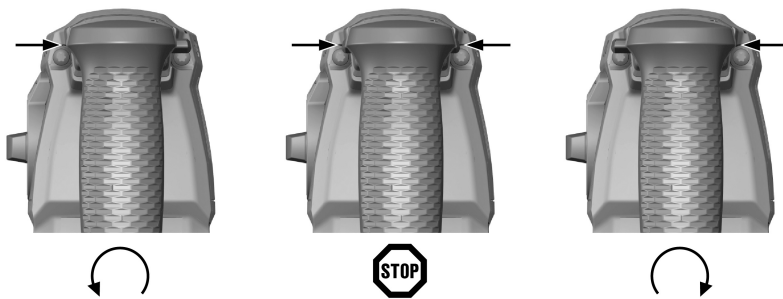
4



5



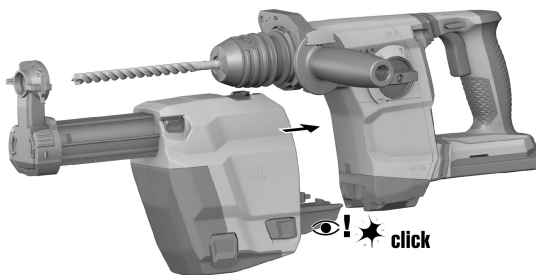
6



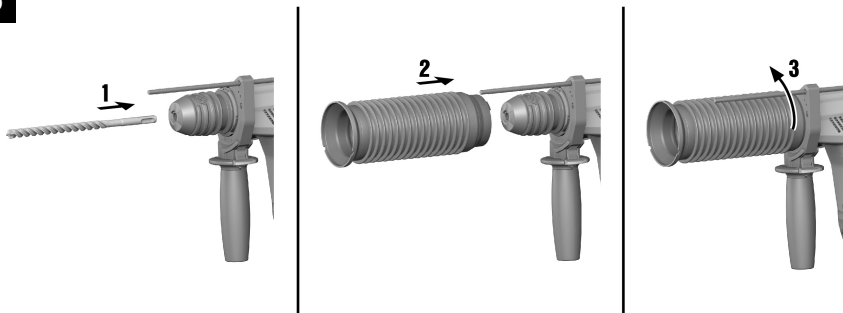
7



8



9



TE 6-22

en	Original operating instructions	1
da	Original brugsanvisning	13
sv	Originalbruksanvisning	26
no	Original bruksanvisning	38
fi	Alkuperäiset ohjeet	51
et	Originaalkasutusjuhend	63
lt	Originali naudojimo instrukcija	75
tr	Orijinal kullanım kılavuzu	89
ar	دليل الاستعمال الأصلي	102
ja	オリジナル取扱説明書	116
ko	오리지널 사용 설명서	128
zh	原始操作說明	140
cn	原版操作说明译文	151
lv	Originālā lietošanas instrukcija	162

Original operating instructions

1 Information about the documentation

1.1 About this documentation

- Read this documentation before initial operation or use. This is a prerequisite for safe, trouble-free handling and use of the product.
- Observe the safety instructions and warnings in this documentation and on the product.
- Always keep the operating instructions with the product and make sure that the operating instructions are with the product when it is given to other persons.

1.2 Explanation of symbols

1.2.1 Warnings

Warnings alert persons to hazards that occur when handling or using the product. The following signal words are used:

DANGER

DANGER !

- ▶ Draws attention to imminent danger that will lead to serious personal injury or fatality.

WARNING

WARNING !

- ▶ Draws attention to a potential threat of danger that can lead to serious injury or fatality.

CAUTION

CAUTION !

- ▶ Draws attention to a potentially dangerous situation that could lead to personal injury or damage to the equipment or other property.

1.2.2 Symbols in the operating instructions

The following symbols are used in these operating instructions:

	Comply with the operating instructions
	Instructions for use and other useful information
	Dealing with recyclable materials
	Do not dispose of electric equipment and batteries as household waste
	Hilti Li-ion battery
	Hilti charger

1.2.3 Symbols in illustrations

The following symbols are used in illustrations:

2	These numbers refer to the illustrations at the beginning of these operating instructions.
3	The numbering reflects the sequence of operations shown in the illustrations and may deviate from the steps described in the text.
11	Item reference numbers are used in the overview illustration and refer to the numbers used in the key in the product overview section.
	These characters are intended to specifically draw your attention to certain points when handling the product.



1.3 Product-dependent symbols

1.3.1 Symbols on the product

The following symbols can be used on the product:

	The product supports near-field communication (NFC) technology compatible with iOS and Android platforms.
	Drilling without hammer action
	Drilling with hammer action (hammer drilling)
	Chisel positioning
	Chiseling
	Forward / reverse
n_0	Rated speed under no load
	Direct current (DC)
Li-Ion	Li-ion battery
	Never use the battery as a striking tool.
	Do not drop the battery. Never use a battery that has suffered an impact or is damaged in any other way.

1.4 Product information

products are designed for professional users and only trained, authorized personnel are permitted to operate, service and maintain the products. This personnel must be specifically informed about the possible hazards. The product and its ancillary equipment can present hazards if used incorrectly by untrained personnel or if used not in accordance with the intended use.

The type designation and serial number are printed on the rating plate.

- ▶ Write down the serial number in the table below. You will be required to state the product details when contacting Hilti Service or your local Hilti organization to inquire about the product.

Product information

Rotary hammer SDS-Plus	TE 6-22
Generation	05
Serial no.	

1.5 Declaration of conformity

The manufacturer declares, on his sole responsibility, that the product described here complies with the applicable legislation and standards. A copy of the declaration of conformity can be found at the end of this documentation.

The technical documentation is filed here:

Hilti Entwicklungsgesellschaft mbH | Tool Certification | Hiltistrasse 6 | D-86916 Kaufering, Germany

2 Safety

2.1 General power tool safety warnings

⚠ WARNING Read all safety warnings, instructions, illustrations and specifications provided with this power tool. Failure to follow all instructions listed below may result in electric shock, fire and/or serious injury. **Save all warnings and instructions for future reference.**

The term "power tool" in the warnings refers to your mains-operated (corded) power tool or battery-operated (cordless) power tool.



Work area safety

- ▶ **Keep work area clean and well lit.** Cluttered or dark areas invite accidents.
- ▶ **Do not operate power tools in explosive atmospheres, such as in the presence of flammable liquids, gases or dust.** Power tools create sparks which may ignite the dust or fumes.
- ▶ **Keep children and bystanders away while operating a power tool.** Distractions can cause you to lose control.

Electrical safety

- ▶ **Power tool plugs must match the outlet. Never modify the plug in any way. Do not use any adapter plugs with earthed (grounded) power tools.** Unmodified plugs and matching outlets will reduce risk of electric shock.
- ▶ **Avoid body contact with earthed or grounded surfaces, such as pipes, radiators, ranges and refrigerators.** There is an increased risk of electric shock if your body is earthed or grounded.
- ▶ **Do not expose power tools to rain or wet conditions.** Water entering a power tool will increase the risk of electric shock.
- ▶ **Do not abuse the cord. Never use the cord for carrying, pulling or unplugging the power tool. Keep cord away from heat, oil, sharp edges or moving parts.** Damaged or entangled cords increase the risk of electric shock.
- ▶ **When operating a power tool outdoors, use an extension cord suitable for outdoor use.** Use of a cord suitable for outdoor use reduces the risk of electric shock.
- ▶ **If operating a power tool in a damp location is unavoidable, use a residual current device (RCD) protected supply.** Use of an RCD reduces the risk of electric shock.

Personal safety

- ▶ **Stay alert, watch what you are doing and use common sense when operating a power tool. Do not use a power tool while you are tired or under the influence of drugs, alcohol or medication.** A moment of inattention while operating power tools may result in serious personal injury.
- ▶ **Use personal protective equipment. Always wear eye protection.** Protective equipment such as a dust mask, non-skid safety shoes, hard hat or hearing protection used for appropriate conditions will reduce personal injuries.
- ▶ **Prevent unintentional starting. Ensure the switch is in the off-position before connecting to power source and/or battery pack, picking up or carrying the tool.** Carrying power tools with your finger on the switch or energising power tools that have the switch on invites accidents.
- ▶ **Remove any adjusting key or wrench before turning the power tool on.** A wrench or a key left attached to a rotating part of the power tool may result in personal injury.
- ▶ **Do not overreach. Keep proper footing and balance at all times.** This enables better control of the power tool in unexpected situations.
- ▶ **Dress properly. Do not wear loose clothing or jewellery. Keep your hair and clothing away from moving parts.** Loose clothes, jewellery or long hair can be caught in moving parts.
- ▶ **If devices are provided for the connection of dust extraction and collection facilities, ensure these are connected and properly used.** Use of dust collection can reduce dust-related hazards.
- ▶ **Do not let familiarity gained from frequent use of tools allow you to become complacent and ignore tool safety principles.** A careless action can cause severe injury within a fraction of a second.

Power tool use and care

- ▶ **Do not force the power tool. Use the correct power tool for your application.** The correct power tool will do the job better and safer at the rate for which it was designed.
- ▶ **Do not use the power tool if the switch does not turn it on and off.** Any power tool that cannot be controlled with the switch is dangerous and must be repaired.
- ▶ **Disconnect the plug from the power source and/or remove the battery pack, if detachable, from the power tool before making any adjustments, changing accessories, or storing power tools.** Such preventive safety measures reduce the risk of starting the power tool accidentally.
- ▶ **Store idle power tools out of the reach of children and do not allow persons unfamiliar with the power tool or these instructions to operate the power tool.** Power tools are dangerous in the hands of untrained users.
- ▶ **Maintain power tools and accessories. Check for misalignment or binding of moving parts, breakage of parts and any other condition that may affect the power tool's operation. If damaged, have the power tool repaired before use.** Many accidents are caused by poorly maintained power tools.
- ▶ **Keep cutting tools sharp and clean.** Properly maintained cutting tools with sharp cutting edges are less likely to bind and are easier to control.



- ▶ **Use the power tool, accessories and tool bits etc. in accordance with these instructions, taking into account the working conditions and the work to be performed.** Use of the power tool for operations different from those intended could result in a hazardous situation.
- ▶ **Keep handles and grasping surfaces dry, clean and free from oil and grease.** Slippery handles and grasping surfaces do not allow for safe handling and control of the tool in unexpected situations.

Battery tool use and care

- ▶ **Recharge only with the charger specified by the manufacturer.** A charger that is suitable for one type of battery pack may create a risk of fire when used with another battery pack.
- ▶ **Use power tools only with specifically designated battery packs.** Use of any other battery packs may create a risk of injury and fire.
- ▶ **When battery pack is not in use, keep it away from other metal objects, like paper clips, coins, keys, nails, screws or other small metal objects, that can make a connection from one terminal to another.** Shorting the battery terminals together may cause burns or a fire.
- ▶ **Under abusive conditions, liquid may be ejected from the battery; avoid contact. If contact accidentally occurs, flush with water. If liquid contacts eyes, additionally seek medical help.** Liquid ejected from the battery may cause irritation or burns.
- ▶ **Do not use a battery pack or tool that is damaged or modified.** Damaged or modified batteries may exhibit unpredictable behaviour resulting in fire, explosion or risk of injury.
- ▶ **Do not expose a battery pack or tool to fire or excessive temperature.** Exposure to fire or temperature above 130° C (265 °F) may cause explosion.
- ▶ **Follow all charging instructions and do not charge the battery pack or tool outside the temperature range specified in the instructions.** Charging improperly or at temperatures outside the specified range may damage the battery and increase the risk of fire.

Service

- ▶ **Have your power tool serviced by a qualified repair person using only identical replacement parts.** This will ensure that the safety of the power tool is maintained.
- ▶ **Never service damaged battery packs.** Service of battery packs should only be performed by the manufacturer or authorized service providers.

2.2 Hammer safety warnings

- ▶ **Wear ear protectors.** Exposure to noise can cause hearing loss.
- ▶ **Use auxiliary handles, if supplied with the tool.** Loss of control can cause personal injury.
- ▶ **Hold power tool by insulated gripping surfaces, when performing an operation where the cutting accessory may contact hidden wiring.** Cutting accessory contacting a "live" wire may make exposed metal parts of the power tool "live" and could give the operator an electric shock.

2.3 Additional safety instructions

Personal safety

- ▶ Use the product and accessories only when they are in perfect working order.
- ▶ Never tamper with or modify the product or accessories in any way.
- ▶ Wear protective gloves when changing accessory tools, because the accessory tool and the chuck get hot during use.
- ▶ In accordance with the applications for which it is designed, the product produces a high torque. Always hold the tool with both hands on the grips provided. The user must be prepared for sudden sticking and stalling of the accessory tool.
- ▶ Check that the side handle is fitted correctly and tightened securely. Always grip the side handle at its outermost end.
- ▶ Working on the material may cause it to splinter. Flying fragments present a risk of injury to the eyes and body. Wear eye protection, a hard hat and ear protection while the product is in use. In addition, wear light respiratory protection if you are not using a dust extractor.
- ▶ Apply appropriate safety measures at the opposite side of the workpiece in work that involves breaking through. Parts breaking away could fall out and / or fall down causing injury to other persons.
- ▶ When chiseling into ceilings, walls and floors, always make sure that you have a safe and firm stance. A sudden break-through can affect your balance.
- ▶ Do not touch rotating parts – risk of injury!
- ▶ Keep the air vents clear at all times. Risk of burn injuries due to blocked air vents!
- ▶ Switch the product on only after you have brought it to the working position.
- ▶ Do not work in an environment heavily contaminated with dust.



- ▶ Dust produced by grinding, sanding, cutting and drilling can contain dangerous chemicals. Some examples are: lead or lead-based paints; brick, concrete and other masonry products, natural stone and other products containing silicates; certain types of wood, such as oak, beech and chemically treated wood; asbestos or materials that contain asbestos. Determine the exposure of the operator and bystanders by means of the hazard classification of the materials to be worked. Implement the necessary measures to restrict exposure to a safe level, for example by the use of a dust collection system or by the wearing of suitable respiratory protection. The general measures for reducing exposure include:
 - ▶ working in an area that is well ventilated,
 - ▶ avoidance of prolonged contact with dust,
 - ▶ directing dust away from the face and body,
 - ▶ wearing protective clothing and washing exposed areas of the skin with water and soap.
- ▶ Take frequent breaks and do physical exercises to improve the blood circulation in your fingers. High vibration during long periods of work can lead to disorders of the blood vessels and nervous system in the fingers, hands and wrists.
- ▶ Do not look directly into the light source (LEDs) of the power tool and do not aim the beam at other persons' faces. Risk of dazzling or eye damage.
- ▶ Prevent ingress of moisture. A short circuit caused by moisture can result in fire or burn injuries.
- ▶ Risk of injury by falling tools and/or accessories. Before starting work, check that the battery and installed accessories are secure.
- ▶ Do not attach a belt hook to this product.

Electrical safety

- ▶ Before beginning work, check the working area for concealed electric cables or gas and water pipes. External metal parts of the product could give you an electric shock or cause an explosion if you accidentally damage an electric cable or a gas or water pipe.

Power tool use and care

- ▶ Switch the product off immediately if the accessory tool jams. The product might twist off-line.
- ▶ Wait until the product stops completely before you lay it down.

2.4 Battery use and care

- ▶ **Comply with the following safety instructions for the safe handling and use of Li-ion batteries.** Failure to comply can lead to skin irritation, severe corrosive injury, chemical burns, fire and/or explosion.
- ▶ Use only batteries that are in perfect working order.
- ▶ Treat batteries with care in order to avoid damage and prevent leakage of fluids that are extremely harmful to health!
- ▶ Do not under any circumstances modify or tamper with batteries!
- ▶ Do not disassemble, crush or incinerate batteries and do not subject them to temperatures over 80 °C (176 °F).
- ▶ Never use or charge a battery that has suffered an impact or been damaged in any other way. Check your batteries regularly for signs of damage.
- ▶ Never use recycled or repaired batteries.
- ▶ Never use the battery or a battery-operated power tool as a striking tool.
- ▶ Never expose batteries to the direct rays of the sun, elevated temperature, sparking, or open flame. This can lead to explosions.
- ▶ Do not touch the battery poles with your fingers, tools, jewelry, or other electrically conductive objects. This can damage the battery and also cause material damage and personal injury.
- ▶ Keep batteries away from rain, moisture and liquids. Penetrating moisture can cause short circuits, electric shock, burns, fire and explosions.
- ▶ Use only chargers and power tools approved for the specific battery type. Read and follow the relevant operating instructions.
- ▶ Do not use or store the battery in explosive environments.



- If the battery is too hot to touch, it may be defective. Put the battery in a place where it is clearly visible and where there is no risk of fire, at an adequate distance from flammable materials. Allow the battery to cool down. If it is still too hot to touch after an hour, the battery is faulty. Consult **Hilti Service** or read the document entitled "Instructions on safety and use for **Hilti** Li-ion batteries".

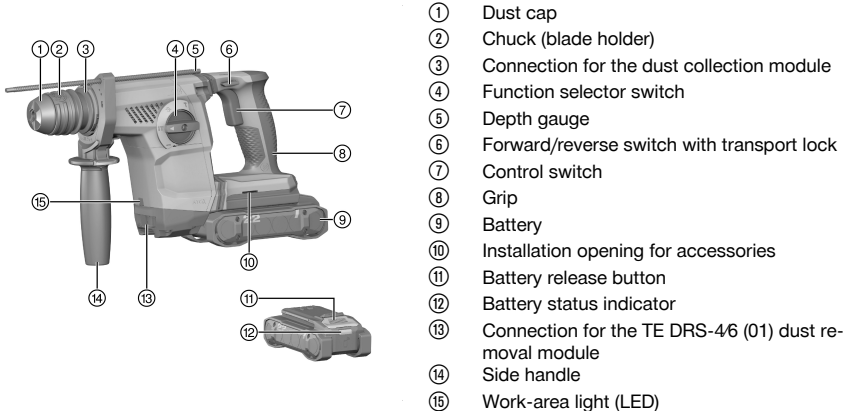


Observe the special guidelines applicable to the transport, storage and use of lithium-ion batteries.
→ page 12

Read the instructions on safety and use of **Hilti** Li-ion batteries that you can access by scanning the QR code at the end of these operating instructions.

3 Description

3.1 Product overview



- ① Dust cap
- ② Chuck (blade holder)
- ③ Connection for the dust collection module
- ④ Function selector switch
- ⑤ Depth gauge
- ⑥ Forward/reverse switch with transport lock
- ⑦ Control switch
- ⑧ Grip
- ⑨ Battery
- ⑩ Installation opening for accessories
- ⑪ Battery release button
- ⑫ Battery status indicator
- ⑬ Connection for the TE DRS-46 (01) dust removal module
- ⑭ Side handle
- ⑮ Work-area light (LED)

3.2 Intended use

The product described is a cordless SDS-Plus rotary hammer drill. It is designed for drilling in steel, wood and masonry, for hammer-action drilling in concrete and masonry, and for driving and removing screws. The product can also be used for light chiseling work on masonry and for surface finishing on concrete.

- For this product, use only **Hilti** Nuron lithium-ion batteries of the B 22 series. For optimum performance, **Hilti** recommends the batteries stated in the table at the end of these operating instructions for this product.
- For these batteries, use only **Hilti** chargers of the type series stated in the table at the end of these operating instructions.

3.3 Items supplied

SDS-Plus rotary hammer drill, side handle, depth gauge, grease, operating instructions.

The TE DRS-46 (01) dust removal module greatly reduces dust emissions and is available as an accessory. Other system products approved for use with this product can be found at your local **Hilti Store** or at: www.hilti.group

3.4 Status indicators of the Li-ion battery

Hilti Nuron Li-ion batteries can indicate state of charge, fault messages and the battery's state of health.

3.4.1 Indicators for state of charge and fault messages



WARNING

Risk of injury by a falling battery!

- If the release button is pressed with a battery inserted in the product, subsequently check that the battery is correctly re-engaged and secure.



Short-press the release button of the battery to get whichever of the following status indications is applicable at the time.

State of charge and, if applicable, faults are indicated constantly as long as the connected product is switched on.

Status	Meaning
Four (4) LEDs show constantly green	State of charge: 100 % to 71 %
Three (3) LEDs show constantly green	State of charge: 70 % to 51 %
Two (2) LEDs show constantly green	State of charge: 50 % to 26 %
One (1) LED shows constantly green	State of charge: 25 % to 10 %
One (1) LED slow-flashes green	State of charge: < 10 %
One (1) LED quick-flashes green	The Li-ion battery is completely discharged. Recharge the battery. If the LED again starts quick-flashing after the battery has been charged, consult Hilti Service .
One (1) LED quick-flashes yellow	The Li-ion battery or the product in which it is inserted is overloaded, too hot or too cold, or experiencing some other fault. Bring the product and the battery to the recommended working temperature and do not overload the product when it is in use. If the message persists, consult Hilti Service .
One (1) LED shows yellow	The Li-ion battery and the product in which it is inserted are not compatible. Consult Hilti Service .
One (1) LED quick-flashes red	The Li-ion battery is locked and cannot be used. Consult Hilti Service .

3.4.2 Indicators showing the battery's state of health

To check the battery's state of health, press the release button and hold it down for longer than three seconds. The system does not detect a potential malfunction of the battery due to misuse, for example battery dropped or pierced, external heat damage, etc.

Status	Meaning
All LEDs show in sequence, followed by one (1) LED showing constantly green.	The battery can remain in use.
All LEDs show in sequence, followed by one (1) LED quick-flashing yellow.	The check to ascertain the battery's state of health did not complete. Repeat the procedure, or consult Hilti Service .
All LEDs show in sequence, followed by one (1) LED showing constantly red.	If a connected product can still be used, the remaining battery capacity is below 50 %. If a connected product can no longer be used, the battery has reached the end of its useful life and has to be replaced. Consult Hilti Service .

4 Technical data

Weight in accordance with EPTA Procedure 01, without battery	2.84 kg
Single impact energy in accordance with EPTA procedure 05	2.6 J
Drilling diameter range in concrete/masonry (hammer drilling)	4 mm ... 28 mm
Ambient temperature for operation	-17 °C ... 60 °C
Storage temperature	-20 °C ... 70 °C



4.1 Battery

Battery operating voltage	21.6 V
Weight, battery	See the end of these operating instructions
Ambient temperature for operation	-17 °C ... 60 °C
Storage temperature	-20 °C ... 40 °C
Battery charging starting temperature	-10 °C ... 45 °C

4.2 Noise information and vibration values in accordance with EN 60745

The sound pressure and vibration values given in these instructions were measured in accordance with a standardized test and can be used to compare one power tool with another. They can also be used for a preliminary assessment of exposure. The data given represents the main applications of the power tool. However, if the power tool is used for different applications, with different accessory tools, or is poorly maintained, the data can vary. This can significantly increase exposure over the total working period. An accurate estimation of exposure should also take into account the times when the tool is switched off, or when it is running but not actually being used for a job. This can significantly reduce exposure over the total working period. Identify additional safety measures to protect the operator from the effects of noise and/or vibration, for example: Maintaining the power tool and accessory tools, keeping the hands warm, organization of work patterns.

Noise emission values

Emission sound pressure level (L_{pA})	91 dB(A)
Uncertainty for the sound pressure level (K_{pA})	3 dB(A)
Sound power level (L_{WA})	102 dB(A)
Uncertainty for the sound power level (K_{WA})	3 dB(A)

Total vibration

		TE 6-22	TE 6-22 + TE DRS-46 (01)
Hammer drilling in concrete ($a_{h, HD}$)	B 22-85	10.7 m/s ²	10.6 m/s ²
	B 22-170	10.4 m/s ²	11.3 m/s ²
Chiseling	B 22-85	6.3 m/s ²	5.5 m/s ²
	B 22-170	6.3 m/s ²	6.0 m/s ²
Uncertainty (K)		1.5 m/s ²	1.5 m/s ²

5 Preparations at the workplace



WARNING

Risk of injury by inadvertent starting!

- ▶ Before inserting the battery, make sure that the product is switched off.
- ▶ Remove the battery before making any adjustments to the power tool or before changing accessories.

Observe the safety instructions and warnings in this documentation and on the product.

5.1 Charging the battery

1. Before charging the battery, read the operating instructions for the charger.
2. Make sure that the contacts on the battery and the contacts on the charger are clean and dry.
3. Use an approved charger to charge the battery. → page 6



5.2 Inserting the battery

WARNING

Risk of injury by short circuit or falling battery!

- ▶ Before inserting the battery, make sure that the contacts on the battery and the contacts on the product are free of foreign matter.
- ▶ Make sure that the battery always engages correctly.

1. Charge the battery fully before using it for the first time.
2. Push the battery into the product until it engages with an audible click.
3. Check that the battery is seated securely.

5.3 Removing the battery

1. Press the battery release button.
2. Remove the battery from the product.

5.4 Fitting the side handle

1. Release the side handle clamping band by turning the handle grip.
2. Slide the side handle clamping band over the chuck from the front and into the recess provided.
3. Bring the side handle into the desired position.
4. Tighten the side handle clamping band by turning the handle grip.

5.5 Fitting the accessory tool



Apply a little grease to the connection end of the accessory tool.

Use only the recommended grease supplied by Hilti. Using the wrong grease can result in damage to the product.

1. Push the accessory tool into the chuck as far as it will go, turning it and applying light pressure until it engages with an audible click.
2. After fitting the accessory tool, grip it and pull it in order to check that it is securely engaged.
 - ▶ The product is ready for use.

5.6 Removing the accessory tool

CAUTION

Risk of injury by the accessory tool! The accessory tool might be hot or have sharp edges.

- ▶ Wear protective gloves when changing the accessory tool.

1. Pull the accessory tool retaining bar back as far as it will go.
2. Remove the accessory tool.

5.7 Fitting and adjusting the depth gauge

1. Press and hold down the release button on the side handle.
2. Slide the depth gauge from the front into the opening provided in the side handle. Adjust the depth gauge to the desired drilling depth.
3. Release the release button.
 - ▶ The depth gauge is locked.


5.8 Fall arrest

WARNING

Risk of injury by falling tool and/or accessory!


- ▶ Use only the **Hilti** tool tether recommended for your product.
- ▶ Prior to each use, always check the attachment point of the tool tether for possible damage.



 Comply with the national regulations for working at heights.

As drop arrester for this product, use only a combination of the **Hilti** retaining strap and the **Hilti** tool tether #2261970.

- ▶ Secure the retaining strap to the installation openings for accessories. Check that it holds securely.
- ▶ Secure one carabiner of the tool tether to the retaining strap and secure the second carabiner to a load-bearing structure. Check that both carabiners hold securely.

 Comply with the operating instructions of the **Hilti** retaining strap and those of the **Hilti** tool tether.

6 Operation

Observe the safety instructions and warnings in this documentation and on the product.

6.1 Switching on and off


1. To switch the product on, press the control switch.
 - ▶ Speed can be controlled steplessly by varying how far the control switch is pressed in.
2. To switch the product off, release the control switch.

6.2 Direction of rotation


- ▶ Set the direction of rotation.
 - ▶ The selector switch engages in this position.

6.3 Function switch


Set the function selector switch to the desired function.

 **Risk of damage!** Do not operate the function selector switch while the motor is running.

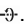
Drilling without hammer action

- Set the function selector switch to .


Hammer drilling

- Set the function selector switch to .

Chisel positioning

- Set the function selector switch to .

Chiseling

- Set the function selector switch to .

7 Optional accessories

7.1 TE DRS-46 (01) dust removal module

The TE DRS-46 (01) dust removal module is an accessory for the SDS-Plus rotary hammer drill. It collects a high percentage of the dust generated and can be quickly and easily attached to the SDS-Plus rotary hammer drill. The dust removal module has a built-in extractor fan. This fan is driven by its own motor. When the SDS-Plus rotary hammer drill is switched on, the dust removal module draws its power from the battery of the SDS-Plus rotary hammer drill.

The dust removal module is not suitable for working on metal and wood.



The TE DRS-46 (01) OSHA satisfies the requirements of OSHA 1926.1153 Table 1. It has a filter-cleaning mechanism.

7.2 Fitting the dust collection module for overhead work

1. Insert the accessory tool. → page 9
2. Slip the dust collection module over the chuck and engage it in the grooves in the housing of the SDS-Plus rotary hammer drill.
3. Turn the dust collection module counter-clockwise to lock it in position.

8 Care and maintenance

WARNING

Risk of injury with battery inserted !

- ▶ Always remove the battery before carrying out care and maintenance tasks!

Care of the product

- Carefully remove stubborn dirt.
- Carefully clean the air vents, if present, with a dry, soft brush.
- Use only a slightly damp cloth to clean the housing. Do not use cleaning agents containing silicone as these can attack the plastic parts.
- Use a dry, clean cloth to clean the contacts of the product.

Care of the Li-ion batteries

- Never use a battery with clogged air vents. Clean the air vents carefully using a dry, soft brush.
- Avoid unnecessary exposure of the battery to dust and dirt. Never expose the battery to high levels of moisture (e.g. by being dipped in water or left in the rain).
If a battery has been soaked by moisture, treat it as a damaged battery. Isolate it in a non-flammable container and consult **Hilti Service**.
- Keep the battery free of extraneous oil and grease. Do not permit dust or dirt to accumulate unnecessarily on the battery. Clean the battery with a dry, soft brush or a clean, dry cloth. Do not use cleaning agents containing silicone as these can attack the plastic parts.
Do not touch the contacts of the battery and do not remove the factory-applied grease from the contacts.
- Use only a slightly damp cloth to clean the housing. Do not use cleaning agents containing silicone as these can attack the plastic parts.

Maintenance

- Check all visible parts and controls for signs of damage at regular intervals and make sure that they all function correctly.
- Do not use the product if signs of damage are found or if parts malfunction. Immediately have the product repaired by **Hilti Service**.
- After cleaning and maintenance, install all guards and protective devices and check that they are in full working order.



To help ensure safe and reliable operation, use only genuine Hilti spare parts and consumables. Spare parts, consumables and accessories approved by **Hilti** for use with your product can be found at your **Hilti Store** or online at: www.hilti.group

8.1 Cleaning the dust shield

- ▶ Clean the dust shield on the chuck with a dry, clean cloth at regular intervals.
- ▶ Clean the sealing lip by wiping it carefully and then grease it again lightly with **Hilti** grease.
- ▶ It is essential that the dust shield is replaced if the sealing lip is damaged.



9 Transport and storage of cordless tools and batteries

Transport

CAUTION

Accidental starting during transport !

- ▶ Always transport your products with the batteries removed!
- ▶ Remove the battery/batteries.
- ▶ Never transport batteries loose and unprotected. During transport, batteries should be protected from excessive shock and vibration and isolated from any conductive materials or other batteries that may come in contact with the terminals and cause a short circuit. **Comply with the locally applicable regulations for transporting batteries.**
- ▶ Do not send batteries through the mail. Consult your shipper for instructions on how to ship undamaged batteries.
- ▶ Prior to each use and before and after prolonged transport, check the product and the batteries for damage.

Storage

WARNING

Accidental damage caused by defective or leaking batteries !

- ▶ Always store your products with the batteries removed!
- ▶ Store the product and the batteries in a cool and dry place. Comply with the temperature limits stated in the technical data.
- ▶ Do not store batteries on the charger. Always remove the battery from the charger when the charging operation has completed.
- ▶ Never leave batteries in direct sunlight, on sources of heat, or behind glass.
- ▶ Store the product and batteries where they cannot be accessed by children or unauthorized persons.
- ▶ Prior to each use and before and after prolonged storage, check the product and the batteries for damage.



10 Troubleshooting

If a problem occurs, always observe the charge-status and fault indicator of the battery. See the section headed **Status indicators of the Li-ion battery**.

If the trouble you are experiencing is not listed in this table or you are unable to rectify the problem by yourself, contact **Hilti Service**.

Trouble or fault	Possible cause	Action to be taken
The control switch can't be pressed, i.e. the switch is locked.	The forward / reverse switch is in the middle position.	▶ Push the forward / reverse switch to the right or left.
The drive spindle does not rotate.	The battery is not fully inserted.	▶ Push the battery in until it engages with an audible click.
	The forward / reverse switch is in the middle position.	▶ Push the forward / reverse switch to the right or left.
	The function selector switch is not engaged or is in the "Chiseling" position T or the "Chisel positioning" position \rightarrow .	▶ With the motor of the power tool at a complete stop, set the function selector switch to "Drilling without hammering" or "Hammer drilling" T .
No hammering action.	Product too cold.	▶ Bring the product into contact with the working surface, switch it on and allow it to idle. If necessary, repeat the procedure until the hammering mechanism begins to operate.
	The function switch is set to "Drilling without hammering" .	▶ Set the function switch to "Hammer drilling" T .




Trouble or fault	Possible cause	Action to be taken
The battery runs down more quickly than usual.	Battery condition is not optimal.	▶ Call up the battery's state of health. → page 6
The battery doesn't engage with an audible click.	The retaining lugs on the battery are dirty.	▶ Clean the retaining lug and refit the battery.
LEDs of the battery show nothing	Battery defective	▶ Contact Hilti Service .
Product or battery gets very hot.	Electrical fault	▶ Immediately switch off the product. Remove the battery and keep it under observation. Allow it to cool down. Contact Hilti service .
The insert tool can't be re-leased.	The chuck is not pulled back fully.	▶ Pull the chuck back as far as it will go and remove the tool.
The tool makes no progress.	Product has been set to reverse rotation.	▶ Move the forward / reverse switch to the "Forward" position.
	The function switch is set to "Drilling without hammering"  .	▶ Set the function switch to "Hammer drilling"  .

11 Disposal

WARNING

Risk of injury due to incorrect disposal! Health hazards due to escaping gases or liquids.

- ▶ DO NOT send batteries through the mail!
- ▶ Cover the terminals with a non-conductive material (such as electrical tape) to prevent short circuiting.
- ▶ Dispose of your battery out of the reach of children.
- ▶ Dispose of the battery at your **Hilti Store**, or consult your local governmental garbage disposal or public health and safety resources for disposal instructions.

 Most of the materials from which **Hilti** products are manufactured can be recycled. The materials must be correctly separated before they can be recycled. In many countries, your old tools, machines or appliances can be returned to **Hilti** for recycling. Ask **Hilti Service** or your Hilti sales representative for further information.



- ▶ Do not dispose of power tools, electronic equipment or batteries as household waste!

12 Manufacturer's warranty

- ▶ Please contact your local **Hilti** representative if you have questions about the warranty conditions.

13 Further information

For more information on operation, technology, environment and recycling, follow this link: qr.hilti.com/manual?id=2264935&id=2264937

This link is also to be found at the end of the documentation, in the form of a QR code.

Original brugsanvisning

1 Oplysninger vedrørende dokumentationen

1.1 Vedrørende denne dokumentation

- Læs denne dokumentation igennem før ibrugtagning. Det er en forudsætning for sikkert arbejde og korrekt håndtering.
- Følg sikkerheds- og advarselshensvisningerne i denne dokumentation og på produktet.



- Opbevar altid brugsanvisningen sammen med produktet, og overdrag det kun til andre personer sammen med denne anvisning.

1.2 Tegnforklaring

1.2.1 Advarsler

Advarsler advarer mod farer ved håndtering af produktet. Følgende signalord anvendes:



FARE

FARE !

- Betegner en umiddelbart truende fare, der kan medføre alvorlige kvæstelser eller døden.



ADVARSEL

ADVARSEL !

- Står ved en potentielt truende fare, der kan medføre alvorlige kvæstelser eller døden.



FORSIGTIG

FORSIGTIG !

- Advarer om en potentielt farlig situation, der kan forårsage personskader eller materielle skader.

1.2.2 Symboler i brugsanvisningen

Der benyttes følgende symboler i denne brugsanvisning:

	Se brugsanvisningen
	Anvisninger for anvendelse og andre nyttige oplysninger
	Håndtering af genvindbare materialer
	Elektriske maskiner og batterier må ikke bortskaffes som almindeligt husholdningsaffald
	Hilti Lithium-ion-batteri
	Hilti Lader

1.2.3 Symboler i illustrationer

Følgende symboler anvendes på illustrationer:

2	Disse tal henviser til den pågældende illustration i begyndelsen af denne brugsanvisning.
3	Nummereringen udtrykker arbejdsrinnenes rækkefølge på illustrationen og kan afvige fra arbejdsrinnene i teksten.
11	Positionsnumre anvendes i illustrationen Oversigt og refererer til tallene i symbolforklaringen i afsnittet Produktoversigt .
	Dette symbol skal sikre skærpet opmærksomhed ved omgang med produktet.

1.3 Produktspecifikke symboler

1.3.1 Symboler på produktet

Følgende symboler kan forekomme på produktet:

	Produktet understøtter NFC-teknologi, som er kompatibel med iOS- og Android-platforme.
	Boring uden slagfunktion
	Boring med slagfunktion (hammerboring)



	Placering af mejsel
	Mejsling
	Højre-/venstreløb
n_0	Nominelt omdrejningstal ubelastet
	Jævnstrøm
Li-Ion	Lithium-ion-batteri
	Brug aldrig batteriet som slagværktøj.
	Lad ikke batteriet falde på gulvet. Brug ikke et batteri, der har fået et slag eller på anden vis er beskadiget.

1.4 Produktoplysninger

HILTI-produkter er beregnet til professionel brug og må kun betjenes, efterses og vedligeholdes af autoriseret og instrueret personale. Dette personale skal i særdeleshed informeres om de potentielle farer, der er forbundet med anvendelsen af denne maskine. Der kan opstå farlige situationer ved anvendelse af produktet og det tilhørende udstyr, hvis det anvendes af personer, der ikke er blevet undervist i dens brug, eller hvis det ikke anvendes korrekt i henhold til forskrifterne i denne brugsanvisning.

Typebetegnelse og serienummer fremgår af typeskiltet.

- ▶ Notér serienummeret i den efterfølgende tabel. Du skal bruge produktoplysningerne ved henvendelser til vores lokale afdeling eller vores serviceværksted.

Produktoplysninger

Borehammer SDS-Plus	TE 6-22
Generation	05
Serienummer	

1.5 Overensstemmelseserklæring

Producenten erklærer som eneansvarlig, at det her beskrevne produkt er i overensstemmelse med gældende lovgivning og gældende standarder. Sidst i dette dokument finder du et bilede af overensstemmelseserklæringen.

Den tekniske dokumentation er arkiveret her:

Hilti Entwicklungsgesellschaft mbH | Zulassung Geräte | Hiltistraße 6 | 86916 Kaufering, DE

2 Sikkerhed

2.1 Generelle sikkerhedsanvisninger for elværktøj

⚠ ADVARSEL Læs alle sikkerhedsanvisninger, henvisninger, billedtekster og tekniske data på elværktøjet. Hvis følgende anvisninger ikke overholdes, er der risiko for elektrisk stød, brand og/eller alvorlige personskader.

Opbevar alle sikkerhedsanvisninger og instruktioner til senere brug.

Det benyttede begreb "elværktøj" i sikkerhedsanvisningerne refererer til elektriske maskiner (med netledning) eller batteridrevne maskiner (uden netledning).

Arbejdspladssikkerhed

- ▶ **Sørg for at holde arbejdsområdet ryddeligt og godt oplyst.** Uorden eller uoplyste arbejdsområder øger faren for uheld.
- ▶ **Brug ikke elværktøj i eksplosionstruede omgivelser, hvor der er brændbare væsker, gasser eller støv.** Elværktøj kan slå gnister, der kan antænde støv eller dampe.
- ▶ **Sørg for, at andre personer og ikke mindst børn holdes væk fra arbejdsområdet, når elværktøjet er i brug.** Hvis man distraheres, kan man miste kontrollen over maskinen.



Elektrisk sikkerhed

- ▶ **Elværktøjets stik skal passe til kontakten. Stikket må under ingen omstændigheder ændres. Brug ikke adapterstik sammen med jordforbundne elværktøj.** Uændrede stik, der passer til kontakterne, nedsætter risikoen for elektrisk stød.
- ▶ **Undgå kropskontakt med jordforbundne overflader som f.eks. rør, radiatorer, komfurer og køleskabe.** Hvis din krop er jordforbundet, øges risikoen for elektrisk stød.
- ▶ **Elværktøj må ikke udsættes for regn eller fugt.** Indtrængning af vand i elværktøj øger risikoen for elektrisk stød.
- ▶ **Brug ikke ledningen til formål, den ikke er beregnet til (f.eks. må man aldrig bære elværktøjet i ledningen, hænge det op i ledningen eller rykke i ledningen for at trække stikket ud af kontakten). Beskyt ledningen mod varme, olie, skarpe kanter eller dele, der er i bevægelse.** Beskadigede eller sammenviklede ledninger øger risikoen for elektrisk stød.
- ▶ **Hvis elværktøjet benyttes i det fri, må der kun benyttes en forlængerledning, der er egnet til udendørs brug.** Brug af forlængerledning til udendørs brug nedsætter risikoen for elektrisk stød.
- ▶ **Hvis det ikke kan undgås at anvende elværktøjet i fugtige omgivelser, skal du anvende et fejlstrømsrelæ.** Anvendelsen af et fejlstrømsrelæ nedsætter risikoen for et elektrisk stød.

Personlig sikkerhed

- ▶ **Det er vigtigt at være opmærksom, se, hvad man laver, og bruge maskinen fornuftigt. Anvend aldrig elværktøj, hvis du er træt eller påvirket af stoffer, alkohol eller medicin.** Et øjeblik uopmærksomhed under brugen af elværktøjet kan medføre alvorlige personskader.
- ▶ **Brug beskyttelsesudstyr, og hav altid beskyttelsesbriller på.** Brug af sikkerhedsudstyr som f.eks. støvmaske, skridsikkert fodtøj, beskyttelseshjelm eller høreværn afhængigt af elværktøjets type og anvendelse nedsætter risikoen for personskader.
- ▶ **Undgå utilsigtet igangsætning. Kontrollér, at elværktøjet er frakoblet, før du slutter det til strømforsyningen og/eller batteriet, tager det op eller transporterer det.** Undgå at bære elværktøjet med fingeren på afbryderen, og sørg for, at det ikke er tændt, når det slutes til nettet, da dette øger risikoen for personskader.
- ▶ **Fjern indstillingsværktøj eller skruenøgler, inden elværktøjet tændes.** Hvis et stykke værktøj eller en nøgle sidder i en roterende maskindel, er der risiko for personskader.
- ▶ **Undgå at arbejde i unormale kroppsstillinger. Sørg for at stå sikkert, mens der arbejdes, og kom ikke ud af balance.** Det er derved nemmere at kontrollere elværktøjet, hvis der skulle opstå uventede situationer.
- ▶ **Brug egnet arbejdstøj. Undgå løse beklædningsgenstande eller smykker. Hold hår, tøj og handsker væk fra dele, der bevæger sig.** Dele, der er i bevægelse, kan gribe fat i løstsiddende tøj, smykker eller langt hår.
- ▶ **Hvis støvudsugnings- og opsamlingsudstyr kan monteres, er det vigtigt, at dette tilsluttes og benyttes korrekt.** Ved at anvende en støvudsugning er det muligt at nedsætte risikoen som følge af støv.
- ▶ **Man må ikke ignorere sikkerhedsreglerne for elværktøj, heller ikke selvom man er fortrolig med brugen af elværktøjet.** Uagtsomhed kan medføre alvorlig tilskadekomst inden for få sekunder.

Anvendelse og pleje af elværktøjet

- ▶ **Undgå at overbelaste maskinen. Brug altid en maskine, der er beregnet til det stykke arbejde, der skal udføres.** Med det rigtige værktøj arbejder man bedst og mest sikkert inden for det angivne effektområde.
- ▶ **Brug ikke elværktøj, hvis afbryderen er defekt.** En maskine, der ikke kan startes og stoppes, er farlig og skal repareres.
- ▶ **Træk stikket ud af stikkontakten, og/eller fjern batteriet fra maskinen, inden du foretager indstillinger på den, skifter tilbehør og dele eller lægger den til side.** Disse sikkerhedsforanstaltninger forhindrer utilsigtet start af elværktøjet.
- ▶ **Opbevar ubenyttede elværktøjer uden for børns rækkevidde. Lad aldrig personer, der ikke er fortrolige med maskinen eller ikke har gennemlæst sikkerhedsanvisningerne, benytte denne.** Elværktøj er farligt, hvis det benyttes af ukyndige personer.
- ▶ **Sørg for at pleje elværktøj omhyggeligt. Kontrollér, om bevægelige dele fungerer korrekt og ikke sidder fast, og om delene er brækket eller beskadiget, således at elværktøjets funktion påvirkes. Få beskadigede dele repareret, inden elværktøjet tages i brug.** Mange uheld skyldes dårligt vedligeholdte elværktøjer.
- ▶ **Sørg for, at skæreværktøjer er skarpe og rene.** Omhyggeligt vedligeholdte skæreværktøjer med skarpe skærekanter sætter sig ikke så hurtigt fast og er nemmere at føre.



- ▶ **Anvend elværktøj, tilbehør, indsatsværktøj osv. i overensstemmelse med disse anvisninger. Tag hensyn til arbejdsforholdene og det arbejde, der skal udføres.** I tilfælde af anvendelse af maskinen til formål, som ligger uden for det fastsatte anvendelsesområde, kan der opstå farlige situationer.
- ▶ **Sørg for, at greb og gribeflader er tørre, rene og fri for olie og fedt.** Glatte greb og gribeflader gør betjeningen usikker, og det kan være svært at styre elværktøjet i uforudsete situationer.

Anvendelse og pleje af batteridrevet elværktøj

- ▶ **Oplad kun batterier i ladere, der er anbefalet af fabrikanten.** Der er risiko for brand, hvis en lader, der er beregnet til et bestemt batteri, anvendes til opladning af en anden batteritype.
- ▶ **Brug kun de batterier, der er beregnet til elværktøjet.** Brug af andre batterier øger risikoen for personskader og er forbundet med brandfare.
- ▶ **Ikke benyttede batterier må ikke komme i berøring med kontorclips, mønter, nøgler, søm, skruer eller andre små metalgenstande, da disse kan kortslutte kontakterne.** En kortslutning mellem batterikontakterne øger risikoen for personskader i form af forbrændinger.
- ▶ **Hvis batteriet anvendes forkert, kan der løbe væske ud af batteriet. Undgå at komme i kontakt med denne væske. Hvis det alligevel skulle ske, skylles med vand. Søg læge, hvis væsken kommer i øjnene.** Batterivæske kan give hudirritation eller forbrændinger.
- ▶ **Brug aldrig et beskadiget eller ændret batteri.** Beskadigede eller ændrede batterier kan virke utilsigtet og medføre brand, eksplosion eller risiko for tilskadekomst.
- ▶ **Batterier må ikke udsættes for åben ild eller høje temperaturer.** Ild eller temperaturer over 130 °C (265 °F) kan medføre eksplosion.
- ▶ **Følg alle anvisninger vedrørende opladning, og oplad aldrig batteriet eller det batteridrevne værktøj uden for det temperaturområde, der er anført i betjeningsvejledningen.** Forkert opladning eller opladning uden for det tilladte temperaturområde kan ødelægge batteriet og øge risikoen for brand.

Service

- ▶ **Sørg for, at elværktøjet kun reparerer af kvalificerede fagfolk, og at der altid benyttes originale reservedele.** Dermed sikres størst mulig elværktøjssikkerhed.
- ▶ **Forsøg aldrig at reparere beskadigede batterier.** Al vedligeholdelse af batterier skal foretages af producenten eller af autoriserede forhandlere.

2.2 Sikkerhedsanvisninger til hamre

- ▶ **Brug høreværn.** Støjpåvirkningen kan medføre høretab.
- ▶ **Brug de ekstrahåndgreb, som følger med maskinen.** Hvis du mister kontrollen, kan det medføre personskader.
- ▶ **Hold maskinen på de isolerede grebsflader, når du udfører opgaver, hvor indsatsværktøjet kan ramme skjulte strømledninger.** Ved kontakt med en spændingsførende ledning kan også metalliske værktøjsdele sættes under spænding, hvilket kan medføre elektrisk stød.

2.3 Yderligere sikkerhedsanvisninger

Personlig sikkerhed

- ▶ Anvend kun produktet og tilbehør i teknisk fejlfri stand.
- ▶ Foretag aldrig manipulationer eller ændringer på produkt eller tilbehør.
- ▶ Anvend beskyttelseshandsker, når du skifter værktøj, da indsatsværktøjet og værktøjsholderen bliver meget varme under brugen.
- ▶ Produktet har et højt drejningsmoment, der passer til de opgaver, der skal udføres. Hold altid fast i produktet med begge hænder på de dertil beregnede håndtag. Bemærk, at værktøjet pludselig kan blokere.
- ▶ Kontrollér, at sidegrebet er monteret rigtigt og fastgjort korrekt. Tag altid fast om sidegrebet på ydersiden.
- ▶ Ved bearbejdning kan materialet splintres. Splinterne fra materialet kan medføre skader på legemet og øjnene. Brug beskyttelsesbriller, sikkerhedshjelm og høreværn under brugen af produktet. Hvis du ikke anvender støvudsugning, skal du også bruge et let åndedrætsværn.
- ▶ Ved gennembrydningsarbejde skal du huske at sikre området på den modsatte side. Nedbrydningsdele kan falde ud og/eller ned og volde skade på andre personer.
- ▶ Ved mejsling af lofter, vægge og gulve er det vigtigt at stå sikkert og stabilt. Hvis værktøjet pludselig går igennem, kan du miste balancen.
- ▶ Undgå berøring af roterende dele - fare for personskader!
- ▶ Hold altid ventilationsåbningerne fri. Fare for forbrændinger på grund af tildækkede ventilationsåbninger!
- ▶ Tænd først produktet, når du har bragt det i arbejdsposition.
- ▶ Arbejd ikke i omgivelser med høj støvbelastning.



- ▶ Støv, der dannes ved slibning, skæring og boring, kan indeholde farlige kemikalier. Nogle eksempler er: Bly eller maling på blybasis; Tegl, beton og andre murværksprodukter, natursten og andre silikatholdige produkter; Bestemte træsorter som eg, bøg og kemisk behandlet træ; Asbest eller asbestholdige materialer. Bestem eksponeringen for brugeren og omkringstående personer ved hjælp af fareklassen for de materialer, der arbejdes på. Træf de nødvendige foranstaltninger for at holde eksponeringen på et sikkert niveau, f.eks. ved at bruge et støvopsamlingsystem eller brug af et passende åndedrætsværn. Generelle foranstaltninger til at reducere eksponeringen omfatter bl.a.:
 - ▶ Arbejde i et godt ventileret område,
 - ▶ Undgå længere tids kontakt med støv,
 - ▶ Lede støv bort fra ansigt og krop,
 - ▶ Brug beskyttende beklædning og vaske eksponerede områder med vand og sæbe.
- ▶ Hold hyppigt pauser, og lav øvelser, så fingrene får bedre blodgennemstrømning. Ved længerevarende arbejde kan vibrationer medføre forstyrrelser af fingrenes, hændernes eller håndleddenes blodkar og nervesystem.
- ▶ Kig ikke direkte ind i belysningen (lysdiode), og lys ikke ind i ansigtet på andre personer. Der er fare for at blive blændet.
- ▶ Undgå indtrængning af fugt. En kortslutning som følge af fugt kan forårsage brand eller forbrændinger.
- ▶ Fare for personskader på grund af værktøj og/eller tilbehør, som falder på jorden. Kontrollér før arbejdets begyndelse, at batteriet og det monterede tilbehør er sikkert fastgjort.
- ▶ Fastgør ikke en bæltékrog på dette produkt.

Elektrisk sikkerhed

- ▶ Kontrollér før påbegyndelse af arbejdet arbejdsområdet for skjulte elektriske ledninger, gas- og vandrør, f.eks. med en metaldelektor. Udvendige metaldele på produktet kan medføre elektrisk stød eller forårsage en eksplosion, hvis du beskadiger en elledning, et gasrør eller et vandrør.

Omhyggelig omgang med og brug af elværktøj

- ▶ Sluk omgående produktet, hvis værktøjet blokeres. Produktet kan trække til siden.
- ▶ Vent, indtil produktet er standset helt, før du lægger det fra dig.

2.4 Omhyggelig omgang med og brug af batterier

- ▶ **Overhold følgende sikkerhedsforanstaltninger for sikker håndtering og brug af Li-ion-batterier.** I modsat fald kan det medføre hudirritation, alvorlige ætsningsskader, kemiske forbrændinger, brand og/eller eksplosion.
 - ▶ Anvend kun batterier i teknisk fejlfri stand.
 - ▶ Batterier skal behandles forsigtigt for at undgå beskadigelser og udslip af meget sundhedsskadelige væsker!
 - ▶ Batterier må under ingen omstændigheder modificeres eller manipuleres!
 - ▶ Batterierne må ikke adskilles, klemmes, opvarmes til over 80 °C eller brændes.
 - ▶ Anvend og oplad ikke batterier, som har fået stød eller på anden vis er blevet beskadiget. Kontrollér regelmæssigt dine batterier for tegn på skader.
 - ▶ Anvend aldrig genbrugte eller reparerede batterier.
 - ▶ Anvend aldrig batteriet eller et batteridrevet elværktøj som slagværktøj.
 - ▶ Udsæt aldrig batterier for direkte solstråling, høj temperatur, gnister eller åben ild. Det kan medføre eksplosion.
 - ▶ Bør ikke batteripolerne med dine fingre, værktøj, smykker eller andre elektrisk ledende genstande. Det kan beskadige batteriet og medføre personskader og materielle skader.
 - ▶ Hold batterier på sikker afstand af regn, fugt og væsker. Indtrængende fugt kan medføre kortslutninger, elektrisk stød, forbrændinger, brand og eksplosion.
 - ▶ Brug kun ladere og elværktøj, der er beregnet til denne batteritype. Overhold i den forbindelse oplysningerne i de tilhørende brugsanvisninger.
 - ▶ Anvend og opbevar ikke batteriet i eksplosionsfarlige omgivelser.



- Hvis batteriet er for varmt til at kunne røres, kan det være defekt. Anbring batteriet på et overskueligt, ikke-brændbart sted med tilstrækkelig afstand til brændbare materialer. Lad batteriet køle af. Hvis batteriet efter en time fortsat er for varmt til at kunne røres, er det defekt. Kontakt **Hilti Service** eller læs dokumentet "Anvisninger om sikkerhed og anvendelse af **Hilti** Li-ion-batterier".

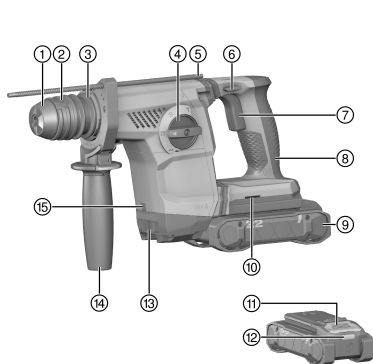


Vær opmærksom på de særlige retningslinjer, der gælder for transport, opbevaring og brug af Li-ion-batterier. → Side 24

Læs anvisningerne vedrørende sikkerhed og anvendelse til **Hilti** Li-ion-batterier, som du kan finde ved at scanne QR-koden sidst i denne brugsanvisning.

3 Beskrivelse

3.1 Produktoversigt



- ① Støvkappe
- ② Værktøjslås/værktøjsholder
- ③ Tilslutning til støvopsamlingsmodul
- ④ Funktionsvælger
- ⑤ Dybdestop
- ⑥ Omskifter til valg af højre-/venstreløb med transportsikring
- ⑦ Afbryder
- ⑧ Håndgreb
- ⑨ Batteri
- ⑩ Monteringsåbning til tilbehør
- ⑪ Batterifrigørelsesknap
- ⑫ Statusindikator for batteri
- ⑬ Tilslutning til støvsugermodul TE DRS-46 (01)
- ⑭ Sidegreb
- ⑮ Arbejdsområdebelysning (lysdiode)

3.2 Bestemmelsesmæssig anvendelse

Det beskrevne produkt er en batteridrevet borehammer SDS-Plus. Det er beregnet til boring i stål, træ og murværk, til hammerboring i beton og murværk og til iskruning og løsning af skruer. Produktet kan desuden anvendes til lette mejselopgaver i murværk og til efterbearbejdning af beton.

- Brug kun **Hilti** Nuron Li-ion-batterier fra B 22-serien til dette produkt. Af hensyn til en optimal effekt anbefaler **Hilti** at bruge de batterier, der fremgår af tabellen i slutningen af denne brugsanvisning, til dette produkt.
- Anvend kun **Hilti**-ladere fra de serier, der fremgår af tabellen i slutningen af denne brugsanvisning, til disse batterier.

3.3 Leveringsomfang

Borehammer SDS-Plus, sidegreb, dybdestop, fedt, brugsanvisning.

Støvmodul TE DRS-46 (01) tilbydes som tilbehør for at sikre et støvfrit arbejde.

Andre systemprodukter, som er godkendt til dit produkt, finder du i **Hilti Store** eller på: **www.hilti.group**

3.4 Li-ion-batteriets indikatorer

Hilti Nuron Li-ion-batterier kan vise ladetilstand, fejlmeddelelser og batteriets tilstand.

3.4.1 Vising af ladetilstand og fejlmeddelelser



ADVARSEL

Fare for personskader på grund af batteri, der falder på gulvet!

- Sørg for, at du ved isat batteri efter tryk på frigøringsknappen bringer batteriet korrekt i indgreb igen i det anvendte produkt.



For at få en af følgende visninger skal du trykke kort på batteriets frigøringsknop. Ladetilstanden og evt. fejl vises også konstant, så længe det tilsluttede produkt er tændt.

Tilstand	Betydning
Fire (4) LED'er lyser konstant grønt	Ladetilstand: 100 % til 71 %
Tre (3) LED 'er lyser konstant grønt	Ladetilstand: 70 % til 51 %
To (2) LED 'er lyser konstant grønt	Ladetilstand: 50 % til 26 %
En (1) LED lyser konstant grønt	Ladetilstand: 25 % til 10 %
En (1) LED blinker langsomt grønt	Ladetilstand: < 10 %
En (1) LED blinker hurtigt grønt	Li-ion-batteriet er helt afladet. Oplad batteriet. Hvis LED'en stadig blinker hurtigt efter opladning af batteriet, bedes du kontakte HiltiService .
En (1) LED blinker hurtigt gult	Li-ion-batterier eller det dermed forbundne produkt er overbelastet, er for varmt, for koldt, eller der foreligger en anden fejl. Bring produktet og batteriet op på den anbefalede arbejdstemperatur, og overbelast ikke produktet under anvendelsen. Hvis meddelelsen stadig vises, bedes du kontakte HiltiService .
En (1) LED lyser gult	Li-ion-batteriet og det dermed forbundne produkt er ikke kompatible. Kontakt Hilti Service .
En (1) LED blinker hurtigt rødt	Li-ion-batteriet er låst og kan ikke længere anvendes. Kontakt Hilti Service .

3.4.2 Visning om batteriets tilstand

Hvis du ønsker at aflæse batteriets tilstand, skal du holde frigøringsknappen inde i mere end tre sekunder. Systemet registrerer ingen potentielle funktionsfejl for batteriet som følge af misbrug som f.eks. nedstyrtning, perforeringer, eksterne varmeskader osv.

Tilstand	Betydning
Alle lysdioder lyser som løbelys, og derefter lyser én (1) lysdiode grønt.	Batteriet kan fortsat benyttes.
Alle lysdioder lyser som løbelys, og derefter blinker én (1) lysdiode hurtigt gult.	Forespørgslen om batteriets tilstand kunne ikke afsluttes. Gentag proceduren, eller kontakt Hilti Service .
Alle lysdioder lyser som løbelys, og derefter lyser én (1) lysdiode rødt.	Hvis et tilsluttet produktet fortsat kan benyttes, er den resterende batterikapacitet under 50%. Hvis et tilsluttet produktet ikke længere kan benyttes, er batteriet ved slutningen af sin levetid og skal udskiftes. Kontakt Hilti Service .

4 Tekniske data

Vægt i henhold til EPTA Procedure 01 uden batteri	2,84 kg
Enkeltslagsenergi i henhold til EPTA-procedure 05	2,6 J
Boreområde i beton/murværk (hammerboring)	4 mm ... 28 mm
Omgivende temperatur under drift	-17 °C ... 60 °C
Opbevaringstemperatur	-20 °C ... 70 °C

4.1 Batteri

Batteriets driftsspænding	21,6 V
Vægt, batteri	Se bagest i denne brugsanvisning
Omgivende temperatur under drift	-17 °C ... 60 °C



Opbevaringstemperatur	-20 °C ... 40 °C
Batteriets temperatur ved start af ladning	-10 °C ... 45 °C

4.2 Støjinformation og vibrationsværdier iht. EN 60745

Lydtryk- og vibrationsværdier i denne brugsanvisning er målt i henhold til en standardiseret målemetode og kan anvendes til sammenligning af forskellige elværktøjer. De kan også anvendes til en foreløbig vurdering af den eksponering, brugeren udsættes for. De anførte data repræsenterer elværktøjets primære anvendelsesformål. Hvis elværktøjet imidlertid anvendes til andre formål, med andre indsatsværktøjer eller utilstrækkelig vedligeholdelse, kan dataene afvige. Dette kan forøge den eksponering, som brugeren udsættes for, i hele arbejdstiden markant. For at opnå en præcis vurdering af den eksponering, som brugeren udsættes for, bør også den tid, hvor maskinen er slukket eller blot kører uden at blive anvendt, inddrages. Dette kan reducere den eksponering, som brugeren udsættes for, i hele arbejdstiden markant. Fastlæg yderligere sikkerhedsforanstaltninger til beskyttelse af brugeren mod støj- og/eller vibrationspåvirkninger, f.eks. er det vigtigt at vedligeholde elværktøj og indsatsværktøj, at holde hænderne varme og at organisere arbejdsprocesserne.

Støjemissionsværdier

Lydtrykniveau (L_{pA})	91 dB(A)
Usikkerhed, lydtrykniveau (K_{pA})	3 dB(A)
Lydeffektniveau (L_{WA})	102 dB(A)
Usikkerhed, lydeffektniveau (K_{WA})	3 dB(A)

Samlede vibrationsværdier

		TE 6-22	TE 6-22 + TE DRS-46 (01)
Hammerboring i beton ($a_{h, HD}$)	B 22-85	10,7 m/s ²	10,6 m/s ²
	B 22-170	10,4 m/s ²	11,3 m/s ²
Mejsling	B 22-85	6,3 m/s ²	5,5 m/s ²
	B 22-170	6,3 m/s ²	6,0 m/s ²
Usikkerhed (K)		1,5 m/s ²	1,5 m/s ²

5 Forberedelse af arbejde

ADVARSEL

Fare for personskader på grund af utilsigtet start!

- ▶ Før isætning af batteriet skal du kontrollere, at det tilhørende produkt er slukket.
- ▶ Fjern batteriet fra maskinen, inden du foretager indstillinger eller skifter tilbehørsdele på den.

Følg sikkerheds- og advarselshenvisningerne i denne dokumentation og på produktet.

5.1 Opladning af batteri

1. Læs brugsanvisningen til laderen før opladning.
2. Vær opmærksom på, at kontakterne på batteriet og laderen er rene og tørre.
3. Oplad batteriet i en godkendt lader. → Side 19

5.2 Isætning af batteri

ADVARSEL

Fare for personskader på grund af kortslutning eller batteri, der falder på gulvet!

- ▶ Før isætning af batteriet skal du kontrollere, at batteriets kontakter og kontakterne på produktet er fri for fremmedlegemer.
- ▶ Kontrollér, at batteriet altid går korrekt i indgreb.

1. Lad batteriet helt op før første ibrugtagning.
2. Skub batteriet ind i produktet, indtil det går hørbart i indgreb.
3. Kontrollér, at batteriet er sat korrekt i.



5.3 Fjernelse af batteri

1. Tryk på batteriets frigøringsknap.
2. Træk batteriet ud af produktet.

5.4 Montering af sidegreb 2

1. Drej på grebet for at løsne sidegrebets holder (spændebånd).
2. Skub holderen (spændebånd) på forfra over værktøjsholderen frem til den dertil beregnede not.
3. Anbring sidegrebet i den ønskede position.
4. Drej på grebet for at spænde sidegrebets holder (spændebånd).

5.5 Isætning af indsatsværktøj 3



Smør indsatsværktøjets indstiksende med et tyndt lag fedt.
Anvend kun originalt fedt fra Hilti. En forkert fedttype kan medføre skader på produktet.

1. Stik indsatsværktøjet ind i værktøjsholderen, og drej det, mens du forsigtigt trykker det ind, indtil det går i indgreb.
2. Kontrollér efter isætning, at værktøjet sidder sikkert fast ved at trække i det.
 - ▶ Produktet er klar til brug.

5.6 Udtagning af indsatsværktøj 4

FORSIGTIG

Fare for personskader på grund af indsatsværktøj! Indsatsværktøjet kan være meget varmt eller have skarpe kanter.

- ▶ Brug beskyttelseshandsker ved skift af indsatsværktøjet.

1. Træk værktøjslåsen tilbage indtil anslag.
2. Tag indsatsværktøjet ud.

5.7 Montering og indstilling af dybdestop 5

1. Tryk på frigøringsknappen på sidegrebet, og hold den inde.
2. Før dybdestopet ind i den dertil beregnede åbning på sidegrebet forfra. Indstil dybdestopet til den ønskede boreddybde.
3. Slip frigøringsknappen.
 - ▶ Dybdestopet er låst.

5.8 Faldsikring

ADVARSEL

Fare for personskader som følge af nedfaldende værktøj og/eller tilbehør!

- ▶ Anvend kun den **Hilti**-værktøjssikkerhedslinie, som er beregnet til dit produkt.
- ▶ Kontrollér værktøjssikkerhedslinens fastgørelsespunkt for mulige skader før hver brug.



Overhold nationale retningslinjer for opgaver i højden.

Brug kun en kombination af **Hilti** faldsikringen og **Hilti** værktøjslinien #2261970 som nedstyrtnings sikring for dette produkt.

- ▶ Fastgør faldsikringen i monteringsåbningerne for tilbehør. Kontrollér, at den sidder sikkert.
- ▶ Fastgør den ene karabinhage på værktøjslinien til faldsikringen og den anden karabinhage til en bærende struktur. Kontrollér, at begge karabinhager sidder sikkert.



Overhold brugsanvisningerne for **Hilti** faldsikringen og **Hilti** værktøjslinien.



6 Betjening

Følg sikkerheds- og advarselshenvisningerne i denne dokumentation og på produktet.

6.1 Tænd og sluk

1. Hvis du vil tænde produktet, skal du trykke på afbryderen.
 - ▶ Omdrejningstallet kan reguleres trinløst, alt efter hvor langt afbryderen trykkes ind.
2. Hvis du vil slukke produktet, skal du slippe afbryderen.

6.2 Omdrejningsretning

- ▶ Indstil omdrejningsretningen.
 - ▶ Omskifteren går i hak i denne stilling.


6.3 Funktionsvælger

Indstil funktionsvælgeren på den ønskede funktion.




Fare for beskadigelse! Funktionsvælgeren må ikke betjenes under brugen.

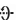
Boring uden slagfunktion

- Sæt funktionsvælgeren på  .

Boring med slagfunktion

- Sæt funktionsvælgeren på  .

Placering af mejsel

- Sæt funktionsvælgeren på  .

Mejsling

- Sæt funktionsvælgeren på  .

7 Ekstra tilbehør

7.1 Støvsugermodul TE DRS-46 (01)

Støvsugermodul TE DRS-46 (01) anvendes som tilbehør til borehammer SDS-Plus. Det opsamler en stor procentdel af det genererede støv og kan nemt og hurtigt monteres på borehammeren SDS-Plus. Der er integreret en sugeblæser i støvsugermodulet. Denne drives af en separat motor. Når borehammeren SDS-Plus tændes, trækker modulet strøm fra borehammerens SDS-Plus batteri. Støvsugermodulet er ikke velegnet til opgaver i metal og træ.

Betingelser: TE DRS-46 (01) OSHA

TE DRS-46 (01) OSHA opfylder direktivet OSHA 1926.1153 Table 1. Det er forsynet med en filterrengøringsmekanisme.

7.2 Montering af støvopsamlingsmodul til opgaver over hovedhøjde

1. Sæt indsatsværktøjet i. → Side 22
2. Skub støvopsamlingsmodulet over værktøjsholderen, og bring det i indgreb i noterne på borehammerens SDS-Plus hus.
3. Drej støvopsamlingsmodulet mod uret for at låse det fast.

8 Rengøring og vedligeholdelse



ADVARSEL

Fare for personskader ved isat batteri !

- ▶ Fjern altid batteriet før alle pleje- og vedligeholdelsesarbejder!

Pleje af produktet

- Fjern fastsiddende snavs med forsigtighed.



2264937

- Eventuelle ventilationsåbninger skal rengøres forsigtigt med en tør, blød børste.
- Rengør kun huset med en hårdt opvredet klud. Brug ikke silikoneholdige plejemidler, da de kan angribe plastdelene.
- Anvend en ren, tør klud til rengøring af produktets kontakter.

Pleje af Li-ion-batterier

- Anvend aldrig et batteri med tilstoppede ventilationsåbninger. Rengør forsigtigt ventilationsåbningerne med en tør, blød børste.
- Undgå, at batteriet unødigt udsættes for støv og snavs. Udsæt aldrig batteriet for høj fugtighed (f.eks. dyppe det i vand eller lade det stå ude i regnvej). Hvis et batteri er blevet gennemvådt, skal det behandles som et beskadiget batteri. Isolér det i en ikke-brændbar beholder, og kontakt **Hilti Service**.
- Hold batteriet frit for udefrakommende olie og fedt. Lad ikke unødigt støv og snavs samle sig på batteriet. Rengør batteriet med en tør, blød børste eller en ren, tør klud. Brug ikke silikoneholdige plejemidler, da de kan angribe plastdelene. Berør ikke batteriets kontakter, og fjern ikke fedtsmøringen fra fabrikken fra kontakterne.
- Rengør kun huset med en hårdt opvredet klud. Brug ikke silikoneholdige plejemidler, da de kan angribe plastdelene.

Vedligeholdelse

- Kontrollér regelmæssigt alle synlige dele for skader og betjeningslementerne for fejlfri funktion.
- Anvend ikke produktet i tilfælde af beskadigelse og/eller funktionsfejl. Få omgående produktet repareret af **Hilti Service**.
- Monter alle beskyttelsesanordninger efter pleje- og vedligeholdelsesarbejder, og kontrollér dem for fejlfri funktion.



Anvend kun originale reservedele og forbrugsmaterialer af hensyn til en sikker drift. Reservedele, forbrugsmaterialer og tilbehør til dit produkt, som **Hilti** har godkendt, finder du i din **Hilti Store** eller under: www.hilti.group

8.1 Rengøring af støvkappen

- ▶ Rengør regelmæssigt støvkappen på værktøjsholderen med en ren, tør klud.
- ▶ Tør forsigtigt tætningen ren, og påfør den derefter et tyndt lag **Hilti**-fedt.
- ▶ Udskift altid støvkappen, hvis tætningen er beskadiget.

9 Transport og opbevaring af batteridrevet værktøj og batterier

Transport

FORSIGTIG

Utilsigtet start ved transport !

- ▶ Transportér altid dine produkter uden isat batteri!
- ▶ Tag batteriet/batterierne af.
- ▶ Transportér aldrig batterier liggende løst og ubeskyttet. Under transporten bør batterierne beskyttes mod hårde slag og vibrationer og isoleres fra enhver form for ledende materialer eller andre batterier, så de ikke kommer i kontakt med andre batteripoler og forårsager en kortslutning. **Overhold de lokale transportforskrifter for batterier.**
- ▶ Batterier må ikke sendes med posten. Henvend dig til et transportfirma, hvis du ønsker at sende ubeskadigede batterier.
- ▶ Kontrollér produktet og batterierne for skader hver gang før brug og før og efter længere transport.

Opbevaring

ADVARSEL

Utilsigtet beskadigelse på grund af defekte eller utætte batterier !

- ▶ Opbevar altid dine produkter uden isat batteri!
- ▶ Opbevar produkt og batterier køligt og tørt. Overhold de temperaturgrænser, der fremgår af de tekniske data.
- ▶ Opbevar ikke batterier i laderen. Tag batteriet ud af laderen, når opladningen er gennemført.
- ▶ Opbevar aldrig batterier i direkte sollys, på varmekilder eller i et vindue.
- ▶ Opbevar produkt og batterier utilgængeligt for børn og uvedkommende personer.



- Kontrollér produktet og batterierne for skader hver gang før brug og før og efter længere tids opbevaring.

10 Fejlafhjælpning

Vær opmærksom på batteriets ladetilstand- og fejlindikator ved alle fejl. Se kapitlet **Li-ion-batteriets indikatorer**.

Ved fejl, som ikke fremgår af denne tabel, eller som du ikke selv kan afhjælpe, beder vi dig om at kontakte **Hilti Service**.

Fejl	Mulig årsag	Løsning
Omdrejningsreguleringen kan ikke trykkes ned eller er blokeret.	Omskifter til valg af højre-/venstreløb i midterposition.	► Tryk omskifteren til valg af højre-/venstreløb til højre eller venstre.
Maskinens spindel roterer ikke.	Batteriet er ikke korrekt isat.	► Bring batteriet i indgreb med et hørbart klik.
	Omskifter til valg af højre-/venstreløb i midterposition.	► Tryk omskifteren til valg af højre-/venstreløb til højre eller venstre.
	Funktionsvælger er ikke gået i indgreb eller befinder sig i positionen "Mejsling" T eller i positionen "Placering af mejsel" → .	► Sæt funktionsvælgeren på positionen "Boring uden slagfunktion" ⚡ eller "Hammerboring" ⚡T med maskinen i standset tilstand.
Ingen slagfunktion.	Produktet er for koldt.	► Sæt produktet på underlaget, og lad det køre i tomgang. Gentag om nødvendigt proceduren, indtil slagmekanismen arbejder.
	Funktionsvælger på "Boring uden slagfunktion" ⚡ .	► Sæt funktionsvælgeren på "Hammerboring" ⚡T .
Batteriet aflades hurtigere end normalt.	Batteritilstanden er ikke optimal.	► Aflæs batteriets tilstand. → Side 19
Batteriet går ikke i indgreb med et tydeligt klik.	Holdetappen på batteriet er snarvset.	► Rengør låsetappen, og sæt batteriet i igen.
Batteriets lysdioder viser ingenting	Batteriet er defekt	► Kontakt Hilti Service .
Kraftig varmeudvikling i produkt eller batteri.	Elektrisk defekt	► Sluk omgående produktet. Tag batteriet ud, og hold øje med det. Lad det køle af. Kontakt Hilti Service .
Værktøjet kan ikke frigøres.	Borepatronen er ikke trukket helt tilbage.	► Træk værktøjslåsen tilbage indtil anslag, og tag værktøjet ud.
Værktøjet trænger ikke ind.	Produktet er indstillet til venstreløb.	► Indstil omskifteren til valg af højre-/venstreløb til højreløb.
	Funktionsvælger på "Boring uden slagfunktion" ⚡ .	► Sæt funktionsvælgeren på "Hammerboring" ⚡T .


11 Bortskaffelse

ADVARSEL

Fare for personskader på grund af ukorrekt bortskaffelse! Sundhedsfare på grund af udtrængen af gasser eller væsker.

- Beskadede batterier må under ingen omstændigheder sendes!
- Tildæk kontakterne med et ikke-ledende materiale, så kortslutninger undgås.
- Bortskaf batterier på en sådan måde, at børn ikke kan få fat på dem.
- Bortskaf batteriet hos din **Hilti Store**, eller henvend dig til det ansvarlige renovationsfirma.



 Størstedelen af de materialer, som anvendes ved fremstillingen af **Hilti**-produkter, kan genvindes. Materialerne skal dog sorteres, før de kan genvindes. I mange lande kan du aflevere dine udtjente produkter til **Hilti**, som derefter genvinder dem. Spørg **Hilti**s kundeservice eller din forhandler.



- ▶ Elværktøj, elektriske maskiner og batterier må ikke bortskaffes sammen med almindeligt husholdningsaffald!

12 Producentgaranti

- ▶ Hvis du har spørgsmål vedrørende garantibetingelserne, bedes du henvende dig til din lokale **Hilti**-partner.

13 Yderligere oplysninger

Yderligere oplysninger vedrørende betjening, teknik, miljø og recycling finder du under følgende link: qr.hilti.com/manual?id=2264935&id=2264937

Dette link finder du også sidst i dokumentationen som QR-kode.

Originalbrugsanvisning

1 Uppgifter för dokumentation

1.1 Om denna dokumentation

- Läs denna dokumentation innan du börjar ta enheten i drift. Det är en förutsättning för säkert arbete och problemfri hantering.
- Observera de säkerhets- och varningsanvisningar som du hittar i dokumentationen och på själva enheten.
- Förvara alltid bruksanvisningen tillsammans med produkten och överlämna aldrig produkten till någon annan utan att bifoga den.

1.2 Teckenförklaring

1.2.1 Varningar

Varningarna är till för att varna för risker i samband med användning av produkten. Följande riskindikeringar används:

FARA

FARA !

- ▶ Anger överhängande risker som kan leda till svåra personskador eller dödsolycka.

VARNING

VARNING !

- ▶ Anger potentiella risker som kan leda till svåra personskador eller dödsfall.

FÖRSIKTIGHET

FÖRSIKTIGHET !

- ▶ Används för att uppmärksamma om en potentiell risksituation som kan leda till skador på person eller utrustning.

1.2.2 Symboler i bruksanvisningen

I den här bruksanvisningen används följande symboler:



Observera bruksanvisningen



Anmärkningar och annan praktisk information



	Hantering av återvinningsbara material
	Elverktyg och batterier får inte kastas i hushållssoporna
	Hilti Litiumjonbatteri
	Hilti Batteriladdare

1.2.3 Symboler i bilderna

Följande symboler används i bilder:

	Dessa siffror hänvisar till motsvarande bild i början av bruksanvisningen.
3	Numreringen återger ordningsföljden hos arbetsmomenten på bilden och kan skilja sig från arbetsmomenten i texten.
	På bilden Översikt används positionsnummer som hänvisar till siffrorna i teckenförklaringen i avsnittet Produktöversikt .
	Det här tecknet används när du bör vara särskilt uppmärksam vid hantering av produkten.

1.3 Produktberoende symboler

1.3.1 Symboler på produkten

Följande symboler kan förekomma på produkten:

	Produkten stöder NFC-teknik, som är kompatibel med iOS- och Android-plattformar.
	Borring utan slag
	Borring med slag (hammarborring)
	Mejselpositionering
	Mejsling
	Rotationsriktning
n_0	Nominellt varvtal, obelastat
	Likström
Li-Ion	Litiumjonbatteri
	Använd aldrig batteriet som slagverktyg.
	Låt inte batteriet falla ner på marken. Använd inte batterier som har utsatts för slag eller på annat sätt har skadats.

1.4 Produktinformation

HILTI-produkter är avsedda för professionella användare och får endast användas, underhållas och repareras av auktoriserad, utbildad personal. Personalen måste vara särskilt informerad om de risker som finns. Produkten och dess tillbehör kan utgöra en risk om den används på ett felaktigt sätt av utbildad personal eller inte används enligt föreskrifterna.

Typbeteckning och serienummer anges på typskylten.



- ▶ Använd de serienummer som anges i följande tabell. Du behöver produktuppgifterna när du kontaktar vår återförsäljare eller serviceverkstad.

Produktdetaljer

Borrhammare SDS-Plus	TE 6-22
Generation	05
Serienr	

1.5 Försäkringen om överensstämmelse

Härmed intygar tillverkaren med ensamt ansvar att produkten som beskrivs överensstämmer med gällande lagstiftning och standarder. En bild på försäkringen om överensstämmelse hittar du i slutet av dokumentationen. Den tekniska dokumentationen finns sparad här:

Hilti Entwicklungsgesellschaft mbH | Zulassung Geräte | Hiltistraße 6 | 86916 Kaufering, Tyskland

2 Säkerhet**2.1 Allmänna säkerhetsföreskrifter för elverktyg**

⚠ VARNING Läs noga igenom alla säkerhetsföreskrifter, anvisningar, avbildningar och tekniska data som medföljer detta elverktyg. Om nedanstående anvisningar inte följs, finns risk för elektriska stötar, brand och/eller svåra skador.

Förvara alla säkerhetsföreskrifter och anvisningarna på ett säkert ställe för framtida användning.

Begreppet "elverktyg" som används i säkerhetsföreskrifterna avser nätdrivna elverktyg (med nätkabel) och batteridrivna elverktyg (sladdlösa).

Säker arbetsmiljö

- ▶ **Håll arbetsområdet rent och väl belyst.** Oordning eller bristfällig belysning på arbetsplatsen kan leda till olyckor.
- ▶ **Arbeta inte med elverktyget i omgivning med explosionsrisk där det finns brännbara vätskor, gaser eller damm.** Elverktyg alstrar gnistor som kan antända dammet eller gaserna.
- ▶ **Håll barn och obehöriga personer på betryggande avstånd under arbetet med elverktyget.** Om du störs av obehöriga personer kan du förlora kontrollen över verktyget.

Elsäkerhet

- ▶ **Elverktygets elkontakt måste passa till vägguttaget. Elkontakten får absolut inte ändras. Använd inte adapterkontakter tillsammans med skyddsjordade elverktyg.** Originalkontakter och lämpliga vägguttag minskar risken för elstötar.
- ▶ **Undvik kroppskontakt med jordade ytor som rör, värmelement, spisar och kylskåp.** Det finns en större risk för elstötar om din kropp är jordad.
- ▶ **Skydda elverktyget från regn och väta.** Tränger vatten in i ett elverktyg ökar risken för elstötar.
- ▶ **Använd inte anslutningskabeln på ett felaktigt sätt, t.ex. genom att bära eller hänga upp elverktyget i den eller dra i den för att lossa elkontakten ur vägguttaget. Håll anslutningskabeln på avstånd från värmekällor, olja, vassa kanter och rörliga delar.** Skadade eller tilltrasslade anslutningskablar ökar risken för elstötar.
- ▶ **När du arbetar med ett elverktyg utomhus, använd endast förlängningskablar som är avsedda för utomhusbruk.** Genom att använda en lämplig förlängningskabel för utomhusbruk minskar du risken för elstötar.
- ▶ **Om det är alldeles nödvändigt att använda verktyget i fuktig miljö ska du använda en jordfelsbrytare.** Användning av jordfelsbrytare minskar risken för elstötar.

Personsäkerhet

- ▶ **Var uppmärksam, ha uppsikt över vad du gör och använd elverktyget med förnuft. Använd aldrig elverktyg om du är trött eller påverkad av droger, alkohol eller medicin.** En kort sekund av bristande uppmärksamhet när du arbetar med ett elverktyg kan leda till att du skadar dig själv eller någon annan svårt.
- ▶ **Bär alltid personlig skyddsutrustning och skyddsglasögon.** Genom att använda personlig skyddsutrustning som t.ex. dammskyddsmask, halkfria säkerhetsskor, hjälm eller hörselskydd, beroende på vilket elverktyg du använder och till vad, minskar du risken för kroppsskada.
- ▶ **Undvik oavsiktlig igångsättning. Se till att elverktyget är fränkopplat innan du ansluter det till nätströmmen och/eller batteriet, tar upp det eller bär det.** Om du bär elverktyget med fingret på strömbrytaren eller ansluter ett tillkopplat verktyg till nätströmmen kan en olycka inträffa.



- ▶ **Ta bort alla inställningsverktyg och skruvnycklar innan du kopplar in elverktyget.** Ett verktyg eller en nyckel i en roterande komponent kan leda till skador.
- ▶ **Undvik en onormal kroppshållning. Se till att du står stadigt och håller balansen.** Då kan du lättare kontrollera elverktyget i oväntade situationer.
- ▶ **Bär lämpliga kläder. Bär inte löst hängande kläder eller smycken. Håll håret, kläderna och handskarna på avstånd från rörliga delar.** Löst hängande kläder, smycken och långt hår kan dras in av roterande delar.
- ▶ **När du använder elverktyg med anordningar för uppsugning och uppsamling av damm, bör du kontrollera att dessa anordningar är rätt monterade och används korrekt.** Används en dammsugare kan faror som orsakas av damm minskas.
- ▶ **Invagga dig inte i falsk säkerhet och strunta inte säkerhetsreglerna för elverktyg även om du har stor vana vid att arbeta med elverktyget.** Oförsiktig hantering kan leda till allvarliga skador inom bråkdelar av en sekund.

Användning och hantering av elverktyg

- ▶ **Överbelasta inte verktyget. Använd elverktyg som är avsedda för det aktuella arbetet.** Med ett lämpligt elverktyg kan du arbeta bättre och säkrare inom angivet effektområde.
- ▶ **Använd aldrig elverktyget om strömbrytaren är defekt.** Ett elverktyg som inte kan kopplas in eller ur är farligt och måste repareras.
- ▶ **Dra ut elkontakten ur uttaget och/eller ta i förekommande fall bort det löstagbara batteriet innan du gör inställningar, byter tillbehör eller lägger ifrån dig verktyget.** Denna skyddsåtgärd förhindrar att du eller någon annan råkar sätta igång elverktyget av misstag.
- ▶ **Förvara elverktyg oåtkomligt för barn. Verktyget får inte användas av personer som inte är vana eller inte har läst dessa anvisningar.** Elverktyg är farliga om de används av oerfarna personer.
- ▶ **Underhåll elverktygen och tillbehören noggrant. Kontrollera att rörliga komponenter fungerar felfritt och inte kärvar och att komponenter inte har brustit eller skadats så att elverktygets funktion påverkas negativt. Se till att skadade delar repareras innan verktyget används igen.** Många olyckor orsakas av dåligt skötta elverktyg.
- ▶ **Håll insatsverktygen skarpa och rena.** Omsorgsfullt skötta insatsverktyg med skarpa egg kommer inte så lätt i kläm och går lättare att styra.
- ▶ **Använd elverktyg, tillbehör, insatsverktyg osv. enligt dessa anvisningar. Ta hänsyn till arbetsvillkoren och arbetsmomenten.** Används elverktyget på icke ändamålsenligt sätt kan farliga situationer uppstå.
- ▶ **Se till att handtaget och greppytorna är torra, rena och fria från olja och fett.** Med hala handtag och gripytor går det inte att hantera och kontrollera elverktyget säkert i oväntade situationer.

Användning och hantering av batteriverktyg

- ▶ **Ladda endast batterierna i de laddare som tillverkaren har rekommenderat.** Brandrisk kan uppstå om en laddare som är avsedd för en viss typ av batterier används för andra batterityper.
- ▶ **Använd endast batterier som är avsedda för aktuellt elverktyg.** Används andra batterier finns det risk för kroppsskada och brand.
- ▶ **Håll gem, mynt, nycklar, spikar, skruvar och andra små metallföremål på avstånd från reservbatterier för att undvika kortslutning av kontakterna.** En kortslutning av batteriets kontakter kan leda till brännskador eller brand.
- ▶ **Om batteriet används på fel sätt kan vätska rinna ur batteriet. Undvik kontakt med vätskan. Vid oavsiktlig kontakt, skölj med vatten. Om vätska kommer i kontakt med ögonen, uppsök dessutom läkare.** Batterivätskan kan orsaka hudirritation eller brännskada.
- ▶ **Använd aldrig skadade eller egenhändigt modifierade batterier.** Skadade eller modifierade batterier kan bete sig oförutsägbart och orsaka brand, explosioner eller risk för skador.
- ▶ **Utsätt aldrig batterier för öppen eld eller för höga temperaturer.** Öppen eld eller temperaturer över 130 °C (265 °F) kan orsaka explosion.
- ▶ **Följ alla anvisningar för laddning och ladda aldrig batteriet eller batteriverktyget vid temperaturer som ligger utanför det intervall som anges i bruksanvisningen.** Felaktigt utförd laddning eller laddning vid temperaturer utanför det tillåtna intervallet kan förstöra batteriet och öka risken för brand.

Service

- ▶ **Låt endast kvalificerad fackpersonal reparera elverktyget och använd då endast originalreservdelar.** Detta garanterar att verktygets säkerhet upprätthålls.
- ▶ **Utför aldrig underhåll på skadade batterier.** Underhåll av batterier får endast utföras av tillverkaren eller av auktoriserade kundservicecenter.



2.2 Säkerhetsföreskrifter för hammare

- ▶ **Bär hörselskydd.** Buller kan leda till hörselskador.
- ▶ **Använd de extrahandtag som levereras tillsammans med verktyget.** Tappar du kontrollen över verktyget kan det leda till skador.
- ▶ **Håll verktyget i de isolerade greppytorna medan du arbetar, eftersom det kan finnas risk att insatsverktyget stöter på en dold elledning.** Vid kontakt med en spänningssatt ledning kan metalldelar på verktyget spänningssättas och ge dig en stöt.

2.3 Extra säkerhetsföreskrifter

Personsäkerhet

- ▶ Använd endast produkten och dess tillbehör om den är fullt funktionsduglig.
- ▶ Produkten eller dess tillbehör får inte byggas om eller ändras.
- ▶ Använd skyddshandskar vid byte av verktyg, eftersom insatsverktyget och chucken blir varma vid användning.
- ▶ Produkten har ett högt vridmoment beroende på användningsområde. Håll alltid produkten i handtagen med båda händerna. Användaren måste vara förberedd på att verktyget plötsligt kan blockeras.
- ▶ Kontrollera att sidohandtaget är korrekt monterat och ordentligt fastsatt. Grip alltid sidohandtaget ovanifrån.
- ▶ Vid bearbetning kan materialsplitter lossna. Splitter kan skada hud och ögon. Använd alltid skyddsglasögon, skyddshjälm och hörselskydd när du använder produkten. Om inget dammutsug används ska även ett lätt andningsskydd användas.
- ▶ Vid genombrottsarbeten, tänk på att säkra området på motstående sida. Annars finns det risk för att det material som lossnar ramlar ner eller skjuter iväg och skadar människor i närheten.
- ▶ Se till att du står stadigt vid bilning i tak, väggar och golv. Ett plötsligt genombrott kan göra att du tappar balansen.
- ▶ Rör inte vid roterande delar – risk för personskada!
- ▶ Håll alltid ventilationsspringorna fria. Risk för brännskador om ventilationsspringorna är övertäckta!
- ▶ Sätt inte på produkten förrän den är i arbetsläget.
- ▶ Arbeta inte i utrymmen med mycket damm.
- ▶ Damm som uppstår vid slipning, polering, kapning och borrning kan innehålla farliga kemikalier. Exempel på sådana är: bly eller blybaserade färger, tegel, betong och andra murverksprodukter, natursten och andra produkter som innehåller silikat. Vissa träslag som ek och bok samt kemiskt behandlat trä, asbest eller material som innehåller asbest. Fastställ exponeringen för användaren och personer i närheten av arbetsområdet genom att kontrollera vilken riskklass det material som ska bearbetas tillhör. Vidta nödvändiga åtgärder för att hålla exponeringen på en säker nivå. Använd t.ex. ett dammuppsamlingsystem eller bär lämpligt andningsskydd. Allmänna åtgärder för att minska exponeringen är:
 - ▶ Arbeta i ett välventilerat utrymme,
 - ▶ Undvik längre kontakt med damm,
 - ▶ Led bort damm från ansiktet och kroppen,
 - ▶ Bär skyddskläder och tvätta exponerade områden med tvål och vatten.
- ▶ Ta ofta paus i arbetet och utför fingerövningar som ökar blodgenomströmningen i fingrarna. Vid långvarigt, ihållande arbete kan de starka vibrationerna ge besvär i blodkärl och nerver i fingrarna, händerna och handlederna.
- ▶ Titta inte direkt in i verktygets LED-belysning och undvik att lysa i ansiktet på andra personer. Risk för bländning.
- ▶ Se till att batterierna inte utsätts för fukt. Kortslutningar på grund av fukt kan orsaka brand eller brännskador.
- ▶ Risk för personskada på grund av nedfallande verktyg och/eller tillbehör. Kontrollera att batteriet och det monterade tillbehöret sitter fast ordentligt innan du påbörjar arbetet.
- ▶ Fäst inga bälteshakar på denna produkt.

Elektrisk säkerhet

- ▶ Undersök om det finns dolda el-, gas- och vattenledningar inom arbetsområdet innan du påbörjar arbetet. Utanpåliggande metalldelar på produkten kan orsaka elstöt eller explosion om du skadar en el-, gas- eller vattenledning.

Omsorgsfull hantering och användning av elverktyg

- ▶ Stäng genast av produkten om insatsverktyget blockeras. Produkten kan vridas i sidled.
- ▶ Vänta tills produkten stannat helt innan du lägger den ifrån dig.



2.4 Ömsorgsfull hantering och användning av batterier

- ▶ **Observera följande säkerhetsanvisningar för säker hantering och användning av litiumjonbatterier.** Om åtgärderna inte följs kan det leda till hudirritation, svåra frätskador, kemiska brännskador, bränder och/eller explosioner.
- ▶ Använd endast batterier som är fullt funktionsdugliga.
- ▶ Hantera batterierna varsamt för att undvika skador och läckage av hälsovådliga syror!
- ▶ Batterier får absolut inte modifieras eller manipuleras!
- ▶ Batterier får inte tas isär, klämmas, upphetas till mer än 80 °C (176 °F) eller brännas upp.
- ▶ Använd inte och ladda inte batterier som har utsatts för slag eller på annat sätt är skadade. Kontrollera batterierna regelbundet för att se om de uppvisar tecken på skador.
- ▶ Använd aldrig återvunna eller reparerade batterier.
- ▶ Använd aldrig batteriet eller ett batteridrivet elverktyg som slagverktyg.
- ▶ Utsätt aldrig batterierna för direkt solljus, förhöjda temperaturer, gnistor eller öppna lågor. Detta kan leda till explosioner.
- ▶ Rör inte batteripolerna med dina fingrar, verktyg, smycken eller andra elektriskt ledande föremål av metall. Detta kan skada batteriet och orsaka såväl materiella skador som personskador.
- ▶ Håll batterierna borta från regn, väta och vätskor. Fukt som tränger sig in kan orsaka kortslutningar, elstötar, brännskador och explosioner.
- ▶ Använd endast batteriladdare och elverktyg som är avsedda för denna typ av batteri. Läs också igenom uppgifterna i motsvarande bruksanvisning.
- ▶ Använd inte och förvara inte batteriet i explosionsfarliga miljöer.
- ▶ Om batteriet är så hett att du inte kan ta i det kan det vara defekt. Ställ batteriet på en plats där inget riskerar att fatta eld och på betryggande avstånd från brännbart material. Låt batteriet svalna. Om batteriet efter en timme fortfarande är så hett att det inte går att ta i är det defekt. Kontakta **Hilti-service** eller läs dokumentet "Säkerhetsanvisningar vid användning av **Hilti** litiumjonbatterier".

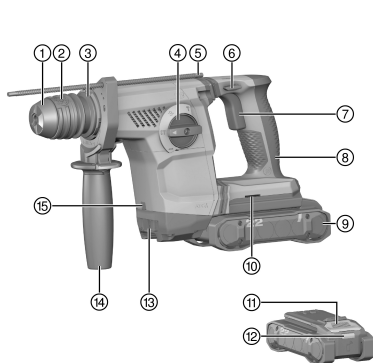


Följ de särskilda föreskrifter som gäller för transport, förvaring och användning av litiumjonbatterier.
→ Sidan 37

Läs säkerhetsanvisningarna för användning av **Hilti** litiumjonbatterier som du hittar genom att skanna QR-koden i slutet av denna bruksanvisning.

3 Beskrivning

3.1 Produktöversikt



- ① Dammskydd
- ② Chuckhylsa/chuck
- ③ Anslutning för dammuppsamlingsenhet
- ④ Funktionsväljare
- ⑤ Djupmått
- ⑥ Omkopplare för höger- och vänstervarv med transportsäkring
- ⑦ Manöverströmbrytare
- ⑧ Handtag
- ⑨ Batteri
- ⑩ Monteringsöppning för tillbehör
- ⑪ Batteriets låsknapp
- ⑫ Statusindikering för batteri
- ⑬ Anslutning för dammsugarmodul TE DRS-4/6 (01)
- ⑭ Sidohandtag
- ⑮ Belysning för arbetsområdet (LED)

3.2 Användning enligt föreskrifter

Den beskrivna produkten är en batteridriven borrhämmare SDS-Plus. Den är avsedd för borrar i stål, trä och murverk, för hammarbörning i betong och tegel, och för skruvdragning. Produkten kan även användas för lättare mejslingsarbeten i tegel och efterarbeten i betong.



- Använd endast **Hilti** Nuron litiumjonbatterier av typen B 22 med produkten. För optimala prestanda rekommenderar **Hilti** att batterierna i den tabell som finns i slutet av bruksanvisningen används med produkten.
- Använd endast **Hiltis** batteriladdare från de typserier som anges i tabellen i slutet av bruksanvisningen.

3.3 Leveransinnehåll

Borrhammare SDS-Plus, sidohandtag, djupanslag, fett, bruksanvisning.

Dammsugarmodulen TE DRS-4/6 (01) rekommenderas som tillbehör för arbeten där det inte uppstår så mycket damm.

Dessutom finns fler systemprodukter för din produkt både i närmaste **Hilti Store** och på nätet: www.hilti.group

3.4 Indikering för litiumjonbatteriet

Hilti Nuron litiumjonbatterier kan visa laddningsstatus, felmeddelanden och batteristatus.

3.4.1 Visning av laddningsstatus och felmeddelanden



VARNING

Risk för personskada på grund av nedfallande batterier.

- ▶ När du har satt i batteriet och tryckt ner frigöringsknappen, kontrollera att batteriet har hakat i korrekt i verktyget igen.

För att visa följande indikeringar, tryck ner batteriets frigöringsknapp.

Laddningsstatus och eventuella störningar visas så länge den anslutna produkten är påslagen.

Status	Betydelse
Fyra (4) lysdioder lyser med fast grönt sken	Laddningsstatus: 100 % till 71 %
Tre (3) lysdioder lyser med fast grönt sken	Laddningsstatus: 70 % till 51 %
Två (2) lysdioder lyser med fast grönt sken	Laddningsstatus: 50 % till 26 %
En (1) lysdiod lyser med fast grönt sken	Laddningsstatus: 25 % till 10 %
En (1) lysdiod blinkar långsamt grönt	Laddningsstatus: < 10 %
En (1) lysdiod blinkar snabbt grönt	Litiumjonbatteriet är helt urladdat. Ladda batteriet. Kontakta Hilti-service om lysdioden fortfarande blinkar snabbt efter att batteriet har laddats.
En (1) lysdiod blinkar snabbt gult	Litiumjonbatteriet eller den anslutna produkten är överbelastad, för varm, för kall eller så föreligger ett annat fel. Ställ in produkten och batteriet på den rekommenderade arbetstemperaturen och undvik att överbelasta produkten vid användning. Kontakta Hilti-service om meddelandet kvarstår.
En (1) lysdiod lyser gult	Litiumjonbatteriet och produkten är inte kompatibla med varandra. Kontakta Hilti-service .
En (1) lysdiod blinkar snabbt rött	Litiumjonbatteriet är spärrat och kan inte användas. Kontakta Hilti-service .

3.4.2 Visning av batteristatus

För att kontrollera batteriets status, håll frigöringsknappen nedtryckt i minst tre sekunder. Systemet registrerar inga potentiella funktionsfel i batteriet till följd av missbruk som t.ex. fall, punkteringsskador, externa värmeskador osv.

Status	Betydelse
Alla lysdioder lyser i turordning och därefter lyser en (1) lysdiod grönt.	Batteriet kan fortfarande användas.
Alla lysdioder lyser i turordning och därefter blinkar en (1) lysdiod snabbt gult.	Begäran om batteristatus kunde inte slutföras. Upprepa proceduren eller kontakta Hilti-service .



Status	Betydelse
Alla lysdioder lyser i turordning och därefter lyser en (1) lysdiod med fast rött sken.	Om en ansluten produkt kan fortsätta användas är den kvarvarande batterikapaciteten under 50 %. Om en ansluten produkt inte kan användas längre har batteriet nått slutet på sin livslängd och måste bytas ut. Kontakta Hilti -service.

4 Teknisk information

Vikt enligt EPTA Procedure 01 utan batteri	2,84 kg
Enkelslagsenergi enligt EPTA Procedure 05	2,6 J
Borrhålsdiameter i betong/tegel (hammarborrning)	4 mm ... 28 mm
Omgivningstemperatur vid drift	-17 °C ... 60 °C
Förvaringstemperatur	-20 °C ... 70 °C

4.1 Batteri

Batteriets driftspänning	21,6 V
Batteriets vikt	Se slutet av denna bruksanvisning
Omgivningstemperatur vid drift	-17 °C ... 60 °C
Förvaringstemperatur	-20 °C ... 40 °C
Batteritemperatur när laddningen påbörjas	-10 °C ... 45 °C

4.2 Bullerinformation och vibrationsvärden enligt EN 60745

De ljudtrycks- och vibrationsvärden som anges i anvisningarna har uppmätts med en standardiserad mätmetod och kan användas för att jämföra olika elverktyg med varandra. De kan också användas för att göra en preliminär uppskattning av exponeringarna. De angivna värdena representerar borrrhammarens huvudsakliga användning. När elverktyget begagnas inom andra områden, med andra insatsverktyg eller med otillräckligt underhåll, kan mätning ge avvikande värden. Det innebär att exponeringen under den totala arbetstiden kan ökas betydligt. För att uppskattningen av exponeringarna ska bli exakt bör man också räkna in de tider då verktyget är fränkopplat, eller då det är tillkopplat men inte används. Detta kan minska exponeringen betydligt under den totala arbetstiden. Vidta även andra säkerhetsåtgärder för att skydda användaren mot effekterna av buller och/eller vibrationer, exempelvis: Underhåll av elverktyg och insatsverktyg, möjlighet att hålla händerna varma, organisation av arbetsförloppen.

Bullervärden

Ljudtrycksnivå (L_{pA})	91 dB(A)
Osäkerhet ljudtrycksnivå (K_{pA})	3 dB(A)
Ljudeffektnivå (L_{WA})	102 dB(A)
Osäkerhet ljudeffektnivå (K_{WA})	3 dB(A)

Sammanlagt vibrationsvärde

		TE 6-22	TE 6-22 + TE DRS-46 (01)
Hammarborrning i betong ($a_{h, HD}$)	B 22-85	10,7 m/s ²	10,6 m/s ²
	B 22-170	10,4 m/s ²	11,3 m/s ²
Mejsling	B 22-85	6,3 m/s ²	5,5 m/s ²
	B 22-170	6,3 m/s ²	6,0 m/s ²
Osäkerhet (K)		1,5 m/s ²	1,5 m/s ²



5 Förberedelser för arbete

VARNING

Risk för personskada till följd av oavsiktlig start!

- ▶ Kontrollera att produkten är avstängd innan du sätter i batteriet.
 - ▶ Ta alltid bort batteriet innan du gör några inställningar på verktyget eller byter tillbehörsdelar.
-

Observera de säkerhets- och varningsanvisningar som du hittar i dokumentationen och på själva enheten.

5.1 Laddning av batteri

1. Läs batteriladdarens bruksanvisning innan du laddar batteriet.
2. Se till att batteriets och batteriladdarens sladdar är rena och torra.
3. Ladda batteriet i en godkänd batteriladdare. → Sidan 31

5.2 Sätta i batteriet

VARNING

Risk för personskada på grund av kortslutning eller nedfallande batteri!

- ▶ Kontrollera innan du sätter in batteriet i produkten att både batteriets och produktens kontakter är fria från smuts och andra hinder.
 - ▶ Säkerställ att batteriet alltid hakar i ordentligt.
-
1. Ladda batterierna helt innan de används första gången.
 2. Skjut in batteriet i produkten tills det hakar i med ett klick.
 3. Kontrollera att batteriet sitter stadigt.


5.3 Ta ut batteriet

1. Tryck in upplåsningsknappen till batteriet.
2. Dra ut batteriet ur produkten.

5.4 Montera sidohandtag

1. Vrid på handtaget för att lossa sidohandtagsfästet (spännbandet).
2. Skjut fästet framifrån över chucken tills det går i det därför avsedda spåret.
3. Placera sidohandtaget i önskat läge.
4. Vrid på handtaget för att spänna fast sidohandtagsfästet (spännbandet).

5.5 Byta insatsverktyg

-  Fetta in insticksänden på insatsverktyget en aning.
Använd endast originalfett från Hilti. Felaktigt fett kan orsaka skador på produkten.
-

1. Sätt insatsverktyget i chucken och vrid det samtidigt som du trycker det lätt inåt tills det låser.
2. Dra i verktyget efter isättningen för att kontrollera att det sitter ordentligt fast.
 - ▶ Nu är produkten färdig att användas.

5.6 Ta ur insatsverktyg

FÖRSIKTIGHET

Risk för personskada från insatsverktyg! Insatsverktyget kan vara hett och ha skarpa kanter.

- ▶ Använd alltid skyddshandskar när du byter insatsverktyg.
-

1. Dra tillbaka chuckhylsan så långt det går.
2. Ta ur insatsverktyget.



5.7 Montera och ställa in djupmått 5

1. Tryck och håll ner frigöringsknappen på sidohandtaget.
2. För in djupmättet framifrån i den avsedda öppningen på sidohandtaget. Ställ in djupmättet till önskat borddjup.
3. Släpp frigöringsknappen.
 - ▶ Djupmättet är låst.

5.8 Fallskydd

VARNING

Risk för personskada på grund av nedfallande verktyg och/eller tillbehör!

- ▶ Använd bara den **Hilti**-verktygslina som är rekommenderad för din produkt.
- ▶ Kontrollera om verktygslinans fästpunkt är skadad inför varje användning.



Observera nationella föreskrifter för arbeten på höga höjder.

Använd uteslutande en kombination av **Hilti** fästband med **Hilti** verktygslina #2261970 som fallskydd för denna produkt.

- ▶ Haka fast fästbandet i öppningen för tillbehör. Kontrollera att det sitter stadigt fast.
- ▶ Fäst verktygslinans ena karbinhake i fästbandet och den andra karbinhaken i en bärande struktur. Kontrollera att båda karbinhakarna sitter stadigt fast.



Följ bruksanvisningen till **Hilti** fästband samt **Hilti** verktygslina.

6 Användning

Observera de säkerhets- och varningsanvisningar som du hittar i dokumentationen och på själva enheten.

6.1 På- och avstängning

1. För att sätta på produkten trycker du in strömbrytaren.
 - ▶ Du ställer in varvtalet steglöst genom att trycka in olika långt.
2. För att stänga av produkten släpper du strömbrytaren.

6.2 Rotationsriktning 3

- ▶ Ställ in rotationsriktning.
 - ▶ Omkopplaren snäpps fast i den här positionen.

6.3 Funktionsväljare 7

Ställ funktionsväljaren på önskad funktion.



Risk för skador! Funktionsväljaren får inte användas under drift.

Borning utan slag

- Ställ funktionsväljaren på

Borning med slag

- Ställ funktionsväljaren på

Mejselpositionering

- Ställ funktionsväljaren på

Mejsling

- Ställ funktionsväljaren på



7 Valbara tillbehör

7.1 Dammsugarmodul TE DRS-4/6 (01)

Dammsugarmodulen TE DRS-4/6 (01) används som tillbehör till borrhammare SDS-Plus. Den samlar upp en hög procentandel av det damm som bildas och går snabbt och enkelt att fästa på borrhammaren SDS-Plus. I dammsugarmodulen finns en inbyggd utsugsfläkt. Den drivs av en egen motor. När borrhammaren SDS-Plus slås på hämtar modulen sin ström från borrhammARBatteriet SDS-Plus.

Dammsugarmodulen är inte avsedd för arbeten i metall eller trä.

Villkor: TE DRS-4/6 (01) OSHA

TE DRS-4/6 (01) OSHA uppfyller direktivet OSHA 1926.1153 Table 1. Produkten är utrustad med en filterrengöringsmekanism.

7.2 Montera dammuppsamlingsenheten för arbeten över huvudhöjd

1. Sätt i insatsverket. → Sidan 34
2. Skjut dammuppsamlingsenheten över chucken och sätt den i spåren på borrhammarens SDS-Plus hölje.
3. Vrid dammuppsamlingsenheten moturs för att låsa den.

8 Skötsel och underhåll

VARNING

Risk för personskada vid anslutet batteri !

- ▶ Ta alltid bort batteriet innan skötsel och underhåll utförs!

Skötsel av produkten

- Ta försiktigt bort smuts som sitter fast.
- Rengör ventilationsspringorna försiktigt med en torr och mjuk borste i förekommande fall.
- Rengör höljet bara med en lätt fuktad trasa. Använd inte rengöringsmedel med silikon, eftersom det kan skada plastdelarna.
- Använd en ren och torr trasa för att rengöra produktens kontakter.

Skötsel av litiumjonbatterier

- Använd aldrig ett batteri med tilltäppta ventilationsspringor. Rengör ventilationsspringorna försiktigt med en torr och mjuk borste.
- Undvik att utsätta batteriet för damm eller smuts i onödan. Utsätt aldrig batteriet för hög fuktighet (t.ex. sänka ner det i vatten eller lämna det ute i regnet).
Om ett batteri har blivit blött behandlar du det som ett skadat batteri. Isolera det i en icke brännbar behållare och kontakta **Hilti-service**.
- Håll batteriet fritt från främmande olja och fett. Låt inte onödigt mycket damm eller smuts ansamlas på batteriet. Rengör batteriet med en mjuk borste eller en ren och torr trasa. Använd inte rengöringsmedel med silikon, eftersom det kan skada plastdelarna.
Rör inte vid batteriets kontakter och ta inte bort fettet som har applicerats på kontakterna i fabriken.
- Rengör höljet bara med en lätt fuktad trasa. Använd inte rengöringsmedel med silikon, eftersom det kan skada plastdelarna.

Underhåll

- Kontrollera regelbundet att inga synliga delar har skadats och att alla reglage fungerar som de ska.
- Använd inte produkten om den uppvisar skador eller funktionsstörningar. Låt **Hilti Service** reparera produkten omgående.
- Efter skötsel- och underhållsarbeten ska alla skyddsanordningar monteras igen och kontrolleras.



Använd endast originalreservdelar och förbrukningsmaterial för säker drift. Godkända reservdelar, förbrukningsmaterial och tillbehör till din produkt från **Hilti** hittar du i närmaste **Hilti Store** eller på: www.hilti.group

8.1 Rengöring av dammskyddskåpan

- ▶ Rengör regelbundet dammskyddet på chucken med en ren, torr torkduk.
- ▶ Torka försiktigt läpptätningen ren och fetta på nytt in den lätt med **Hilti**-fett.



- Byt ut dammskyddet om läpptätningen har skadats.

9 Transport och förvaring av sladdlösa verktyg och batterier

Transport

FÖRSIKTIGHET

Oavsiktlig start under transport. !

- Transportera alltid produkten utan insatta batterier.
- Ta ut batteriet/batterierna.
- Transportera aldrig batterierna löst liggande. Under transport ska batterierna skyddas mot alltför hårda stötar och vibrationer samt hållas isolerade från eventuella ledande material eller andra batterier så att de inte kommer i kontakt med andra batteripoler och orsakar en kortslutning. **Observera lokala transportföreskrifter för batterier.**
- Batterier får inte skickas per post. Vänd dig till ett fraktbolag om du vill skicka intakta batterier.
- Kontrollera produkt och batterier före varje användning samt före och efter längre transport för att se till att de inte är skadade.

Förvaring

VARNING

Oavsiktlig skada på grund av trasiga eller läckande batterier. !

- Förvara alltid produkten utan insatta batterier.
- Förvara produkt och batterier svalt och torrt. Följ de temperaturgränsvärden som anges i den tekniska informationen.
- Förvara inte batterierna i batteriladdaren. Ta alltid ur batteriet ur laddaren när laddningen är klar.
- Förvara aldrig batterier i solen, på värmekällor eller bakom glas.
- Förvara produkt och batteri utom räckhåll för barn och obehöriga personer.
- Kontrollera produkt och batterier före varje användning samt före och efter längre tids förvaring för att se till att de inte är skadade.

10 Felsökning

Observera batteriets laddningsstatus- och felindikering vid alla störningar. Se kapitel **Indikeringar för litiumjonbatteri**.

Kontakta **Hilti-service** om det uppstår ett fel som inte finns med i den här tabellen eller som du inte lyckas åtgärda på egen hand.

Fel	Möjlig orsak	Lösning
Strömbrytaren kan inte tryckas ner resp. är spärrad.	Omkopplaren för höger- och vänstervarv i mittenläge.	► Tryck omkopplaren för höger- och vänstervarv åt höger eller vänster.
Verktygsspindeln roterar inte.	Batteriet har inte satts in helt.	► Tryck in batteriet tills du hör ett "klick".
	Omkopplaren för höger- och vänstervarv i mittenläge.	► Tryck omkopplaren för höger- och vänstervarv åt höger eller vänster.
	Funktionsväljaren står inte fullt ut i sitt läge eller så står den i läget "mejsling" eller "mejselpositionering" .	► Ställ funktionsväljaren i läget "Borrning utan slag" eller "hammarboring" när den står still.
Inget slag.	Produkten är för kall.	► Placera produkten på underlaget och låt den gå på tomgång. Upprepa detta om så krävs, tills slagmekanismen kommer igång.
	Funktionsväljaren på "borrning utan slag" .	► Sätt funktionsväljaren på "hammarboring" .



Fel	Möjlig orsak	Lösning
Batteriet laddas ur fortare än vanligt.	Batteriet fungerar inte optimalt.	► Kontrollera batteriets funktion. → Sidan 32
Batteriet hakar inte i med ett hörbart klick.	Batteriets låsmekanism är smutsig.	► Rengör låsmekanismen och sätt i batteriet igen.
Batteriets lysdioder indikerar ingenting	Batteriet är defekt	► Vänd dig till Hilti-service .
Kraftig värmeutveckling i produkt eller batteri.	Elektriskt fel	► Stäng genast av produkten. Ta bort batteriet och granska det. Låt det svalna. Kontakta Hilti-service .
Det går inte att ta ut insatsverktyget ur chucken.	Chucken har inte dragits tillbaka helt.	► Dra chuckhylsan tillbaka till anslag och ta ut verktyget.
Insatsverktyget tränger inte in i underlaget.	Produkten är inställd på vänster-varv. Funktionsväljaren på "borring utan slag" .	► Ställ omkopplaren för höger- och vänstervarv på högervarv. ► Sätt funktionsväljaren på "hammarborring" IT .

11 Avfallshantering



VARNING

Risk för personskada på grund av felaktig avfallshantering! Hälsorisk på grund av läckande gaser eller syror.

- Skicka aldrig iväg skadade batterier!
- Täck anslutningarna med ett icke ledande material för att förhindra kortslutningar.
- Kassera batterier så att de inte kan hamna i händerna på barn.
- Kassera batteriet hos din **Hilti Store** eller vänd dig till närmaste återvinningscentral.

Hilti-produkter är till stor del tillverkade av återvinningsbara material. En förutsättning för återvinning är att materialen separeras på rätt sätt. I många länder tar **Hilti** tillbaka din gamla enhet för återvinning. Fråga **Hilti** kundservice eller din säljare.



- Kasta inte elverktyg, elektronisk apparatur och batterier i hushållssoporna.

12 Tillverkargaranti

- Vänd dig till din lokala **Hilti**-representant om du har frågor om garantivillkoren.

13 Ytterligare information

Ytterligare information om drift, teknik, miljö och återvinning hittar du via följande länk: qr.hilti.com/manual?id=2264935&id=2264937

Länken finns också som en QR-kod i slutet av dokumentationen.

Original bruksanvisning

1 Informasjon om dokumentasjonen

1.1 Om denne dokumentasjonen

- Les denne dokumentasjonen før du tar produktet i bruk. Dette er en forutsetning for sikkerhet under arbeidet og problemfri bruk.
- Følg sikkerhetshenvisningene og advarslene i denne dokumentasjonen og på produktet.
- Oppbevar alltid bruksanvisningen på produktet, og lever bruksanvisningen fra deg sammen med produktet hvis det overtas av andre personer.



1.2 Symbolforklaring

1.2.1 Farehenvisninger

Farehenvisninger advarer mot farer under håndtering av produktet. Følgende signalord brukes:



FARE !

- For en umiddelbart truende fare som kan føre til alvorlige personskader eller død.



ADVARSEL !

- Varsler en mulig fare som kan føre til alvorlige personskader eller død.



FORSIKTIG !

- Varsler om en mulig farlig situasjon som kan føre til personskade eller materiell skade.

1.2.2 Symboler i bruksanvisningen

Følgende symboler benyttes i denne bruksanvisningen:

	Følg bruksanvisningen
	Bruksanvisninger og andre nyttige opplysninger
	Håndtering av resirkulerbare materialer
	Ikke kast elektriske apparater eller batterier i husholdningsavfallet
	Hilti li-Ion-batteri
	Hilti Lader

1.2.3 Symboler i illustrasjoner

Følgende symboler brukes i illustrasjonene:

	Disse tallene viser til illustrasjonen i begynnelsen av denne bruksanvisningen.
	Nummereringen angir rekkefølgen for arbeidstrinnene på bildet og kan avvike fra arbeidstrinnene i teksten.
	Posisjonsnumrene brukes i illustrasjonen Oversikt og henviser til numrene på teksten i avsnittet Produktoversikt .
	Dette symbolet betyr at håndtering av produktet krever stor grad av oppmerksomhet.

1.3 Produktavhengige symboler

1.3.1 Symboler på produktet

Følgende symboler kan brukes på produktet:

	Produktet støtter NFC-teknologi som er kompatibel med iOS- og Android-plattformer.
	Boring uten slag
	Boring med slag (hammerboring)
	Plassere meiselen
	Meisling



	Høyre-/venstregang
n_0	Nominelt tomgangsturtall
	Likestrøm
Li-ion	Li-ion-batteri
	Bruk aldri batteriet som slagverktøy.
	Ikke mist ned batteriet. Ikke bruk et batteri som har vært utsatt for støt eller er skadet på annen måte.

1.4 Produktinformasjon

-produkter er laget for profesjonell bruk og må kun brukes, vedlikeholdes og repareres av kyndig personale. Dette personalet må informeres om eventuelle farer som kan oppstå. Produktet og tilleggsutstyret kan utgjøre en fare hvis det betjenes av ukvalifisert personale eller det benyttes feil.

Typebetegnelse og serienummer står på typeskiltet.

- ▶ Skriv inn serienummeret i tabellen nedenfor. Du trenger produktspesifikasjonene ved henvendelser til Hiltis representant eller servicesenter.

Produktspesifikasjoner

Borhammer SDS-Plus	TE 6-22
Generasjon	05
Serienummer	

1.5 Samsvarserklæring

Produsenten erklærer under sitt eneansvar at produktet som er beskrevet her, oppfyller kravene i gjeldende lovgivning og er i samsvar med gjeldende standarder. Du finner et bilde av samsvarserklæringen på slutten av denne dokumentasjonen.

Den tekniske dokumentasjonen er lagret her:

Hilti Entwicklungsgesellschaft mbH | Zulassung Geräte | Hiltistraße 6 | 86916 Kaufering, DE

2 Sikkerhet

2.1 Generelle sikkerhetsregler for elektroverktøy

⚠ ADVARSEL Les alle sikkerhetsanvisninger, instruksjoner, illustrasjoner og tekniske data som elektroverktøyet er utstyrt med. Manglende overholdelse av anvisningene nedenfor kan medføre elektrisk støt, brann og/eller alvorlige personskader.

Overhold alle sikkerhetsanvisninger og instruksjoner i hele bruksperioden.

Begrepet "elektroverktøy" som er brukt i sikkerhetsanvisningene, viser til nettdrevne elektroverktøy (med nettkabel) eller til batteridrevne elektroverktøy (uten nettkabel).

Sikkerhet på arbeidsplassen

- ▶ **Hold arbeidsområdet rent og godt opplyst.** Rotete eller dårlig belyste arbeidsområder kan føre til ulykker.
- ▶ **Bruk ikke elektroverktøyet i eksplosjonsfarlige omgivelser hvor det befinner seg brennbare flytende stoffer, gasser eller støv.** Elektroverktøy lager gnister som kan antenne støv eller damp.
- ▶ **Hold barn og andre personer på sikker avstand mens elektroverktøyet brukes.** Hvis du blir forstyrret under arbeidet, kan du miste kontrollen over verktøyet.

Elektrisk sikkerhet

- ▶ **Elektroverktøyet støpsel må passe i stikkontakten. Støpselet må ikke forandres på noen som helst måte. Bruk ikke adapterkontakt på jordete elektroverktøy.** Uendrede støpsler og egnede stikkontakter minsker risikoen for elektrisk støt.
- ▶ **Unngå kroppskontakt med jordete overflater som rør, radiatorer, komfyrer eller kjøleskap.** Risikoen for elektriske støt er høyere når kroppen er jordet.
- ▶ **Hold elektroverktøyet unna regn og fuktighet.** Risikoen for elektrisk støt øker ved inntrenging av vann i et elektroverktøy.



- ▶ **Bruk ikke ledningen til å bære elektroverktøyet, henge det opp eller til å dra støpselet ut av stikkkontakten. Hold ledningen unna varme, olje, skarpe kanter og deler som beveger seg.** Skadde eller sammenviklede ledninger øker risikoen for elektriske støt.
- ▶ **Bruk kun skjøteledninger som også er godkjent for utendørs bruk når du arbeider med et elektroverktøy utendørs.** Bruk av skjøteledning som er egnet til utendørs bruk, minsker risikoen for elektrisk støt.
- ▶ **Må elektroverktøyet brukes i fuktige omgivelser, er det nødvendig å bruke en jordfeilbryter.** Bruk av en jordfeilbryter reduserer risikoen for elektrisk støt.

Personsikkerhet

- ▶ **Vær oppmerksom, pass på hva du gjør, og gå fornuftig fram under arbeidet med et elektroverktøy. Ikke bruk elektroverktøy når du er trøtt eller påvirket narkotika, alkohol eller medikamenter.** Et øyeblikks uoppmerksomhet ved bruk av elektroverktøyet kan være nok til å forårsake alvorlige personskader.
- ▶ **Bruk alltid personlig verneutstyr og vernebriller.** Bruk av personlig verneutstyr som støvmaske, sklisikre vernesko, hjelm eller hørselsvern – avhengig av type og bruk av elektroverktøyet – reduserer risikoen for skader.
- ▶ **Unngå utilsiktet start. Forsikre deg om at elektroverktøyet er slått av før du setter i stikkkontakten eller batteriet og før du løfter eller flytter elektroverktøyet.** Hvis du holder fingeren på bryteren når du bærer elektroverktøyet, eller kobler elektroverktøyet til strøm i innkoblet tilstand, kan dette føre til uhell.
- ▶ **Fjern justeringsverktøy og skrunøkkel før du slår på elektroverktøyet.** Et verktøy eller en nøkkel som befinner seg i en roterende maskindel, kan føre til skader.
- ▶ **Unngå uhensiktsmessige arbeidsposisjoner. Sørg for å stå stødig og i balanse.** Dermed kan du kontrollere elektroverktøyet bedre i uventede situasjoner.
- ▶ **Bruk egnede klær. Ikke bruk vide klær eller smykker. Hold hår, tøy og hansker unna deler som beveger seg.** Løstsittende tøy, smykker eller langt hår kan komme inn i deler som beveger seg.
- ▶ **Hvis det er montert støvavsugs- og oppsamlingsinnretninger, må det kontrolleres at disse er koblet til og blir brukt på riktig måte.** Bruk av støvavsug kan redusere faremomentene i forbindelse med støv.
- ▶ **Ikke føl deg for trygg og ikke bryt sikkerhetsreglene for elektroverktøy, heller ikke når du etter lang tids bruk er blitt fortrolig med elektroverktøyet.** Et øyeblikks uaktsomhet kan føre til alvorlige personskader.

Bruk og behandling av elektroverktøyet

- ▶ **Ikke overbelast verktøyet. Bruk et elektroverktøy som er beregnet til den type arbeid du vil utføre.** Med et passende elektroverktøy arbeider du bedre og sikrere i det angitte effektområdet.
- ▶ **Ikke bruk elektroverktøy med defekt bryter.** Et elektroverktøy som ikke lenger kan slås av eller på, er farlig og må repareres.
- ▶ **Dra ut støpselet fra stikkkontakten og/eller ta ut et uttakbart batteri før du foretar maskinnstillinger, bytter tilleggsutstyr eller legger bort verktøyet.** Disse tiltakene forhindrer utilsiktet start av elektroverktøyet.
- ▶ **Oppbevar elektroverktøy som ikke brukes, utenfor barns rekkevidde. La ikke personer som ikke er fortrolige med verktøyet eller ikke har lest disse instruksjonene, bruke verktøyet.** Elektroverktøy er farlige når de brukes av uerfarne personer.
- ▶ **Sørg for grundig stell og vedlikehold av elektroverktøyet med tilbehør. Kontroller at bevegelige deler på elektroverktøyet fungerer feilfritt og ikke klemmes fast, og at ingen deler er brukt eller skadet, slik at dette innvirker på elektroverktøyets funksjon. La skadde deler repareres før elektroverktøyet brukes.** Mange ulykker er et resultat av dårlig vedlikeholdte elektroverktøy.
- ▶ **Hold skjæreverktøy skarpe og rene.** Godt vedlikeholdte skjæreverktøy med skarpe skjærekanten blir sjeldnere fastklemt og er lettere å styre.
- ▶ **Bruk elektroverktøy, tilbehør, arbeidsverktøy osv. i overensstemmelse med denne anvisningen. Ta hensyn til arbeidsforholdene og arbeidet som skal utføres.** Bruk av elektroverktøy til andre formål enn det som er angitt, kan føre til farlige situasjoner.
- ▶ **Hold håndtak og gripeflater tørre, rene og frie for olje og fett.** Glatte håndtak og gripeflater gir ikke sikker betjening og kontroll av elektroverktøyet i uforutsette situasjoner.

Bruk og behandling av det batteridrevne elektroverktøyet

- ▶ **Bruk kun ladere som er anbefalt av produsenten når du skal lade batteriene.** Det oppstår brannfare når det brukes andre batterier i en lader enn dem laderen er egnet for.
- ▶ **Bruk bare batterier som er beregnet for de forskjellige elektroverktøyene.** Bruk av andre batterier kan medføre skader og brannfare.



- ▶ **Unngå å oppbevare ubrukte batterier i nærheten av binders, mynter, nøkler, nagler, skruer eller andre små metallgjenstander som kan forårsake kortslutning av kontakten.** En kortslutning mellom batterikontaktene kan føre til forbrenninger eller brann.
- ▶ **Ved feil bruk kan væske lekke fra batteriet. Unngå kontakt med denne væsken. Ved tilfeldig kontakt må det skylles med vann. Hvis det kommer væske i øynene, må du i tillegg oppsøke lege.** Batterivæske som renner ut, kan føre til irritasjoner på huden eller forbrenninger.
- ▶ **Ikke bruk batterier som er skadde eller modifiserte.** Skadde eller modifiserte batterier kan oppføre seg uforutsigbart og forårsake brann, eksplosjon eller personskade.
- ▶ **Ikke utsett batteriet for åpen ild eller høye temperaturer.** Ild eller temperaturer over 130 °C (265 °F) kan forårsake eksplosjon.
- ▶ **Følg alle anvisningene for lading, og lad aldri batteriet eller det batteridrevne verktøyet utenfor temperaturområdet som er angitt i bruksanvisningen.** Feil lading eller lading utenfor det tillatte temperaturområdet kan ødelegge batteriet og øke brannfaren.

Service

- ▶ **Elektroverktøyet må kun repareres av kvalifisert fagpersonale og kun med originale reservedeler.** Slik opprettholdes maskinens sikkerhet.
- ▶ **Vedlikehold ikke skadde batterier.** Alt vedlikehold på batterier skal utføres av produsenten eller et godkjent serviceverksted.

2.2 Sikkerhetsanvisninger for borhammere

- ▶ **Bruk hørselsvern.** Påvirkning av støy kan føre til hørselstap.
- ▶ **Bruk håndtakene som leveres med maskinen.** Tap av kontroll kan føre til skader.
- ▶ **Hold maskinen i de isolerte håndtakene når du utfører arbeid der verktøyet kan komme i kontakt med elektriske ledninger.** Kontakt med en spenningsførende ledning kan også sette maskinens metalldele under spenning og føre til elektrisk støt.

2.3 Ekstra sikkerhetsanvisninger

Personsikkerhet

- ▶ Bruk produktet og tilbehøret bare i teknisk feilfri stand.
- ▶ Ikke foreta manipulering eller endring av produktet eller tilbehør.
- ▶ Bruk vernehansker når du bytter verktøy, da innsatsverktøyet og chucken blir varme ved bruk.
- ▶ Produktet har et høyt dreiemoment som er tilpasset bruksområdene. Hold alltid maskinen fast med begge hender i håndtakene som er beregnet til formålet. Brukerne må være forberedt på at verktøyet plutselig kan bli blokkert.
- ▶ Kontroller at sidehåndtaket er riktig montert og forskriftsmessig festet. Grip alltid tak i sidehåndtaket ytterst.
- ▶ Gjennom bearbeiding kan materiale splintres av. Splintret materiale kan skade kroppen og øynene. Benytt øyevern, hjelm og hørselsvern ved bruk av produktet. Hvis det ikke benyttes støvavsug, må du i tillegg bruke en lett støvmaske.
- ▶ Ved gjenombruddsarbeider må området på den andre siden sikres. Deler som brytes ut, kan falle ut og/eller ned og skade andre personer.
- ▶ Sørg for at du står støtt ved meisling i tak, vegger og gulv. Du kan miste balansen ved et plutselig gjenombrudd.
- ▶ Unngå å berøre de roterende delene. Fare for personskader!
- ▶ Hold alltid ventilasjonsåpningene rene. Fare for forbrenning hvis ventilasjonsåpningene er blokkert!
- ▶ Vent med å slå på produktet til du har plassert det i arbeidsposisjon.
- ▶ Ikke arbeid i omgivelser som er sterkt belastet med støv.
- ▶ Støv som oppstår ved sliping, smergling, kapping og boring kan inneholde farlige kjemikalier. Noen eksempler er: bly eller blybasert maling; tegl, betong og andre murverksprodukter, naturstein og andre silikatholdige produkter; bestemt tresorter, slik som eik, bøk og kjemisk behandlet trevirke; asbest eller asbestholdige materialer. Kartlegg hvor eksponert brukeren og personer i nærheten er ved hjelp av fareklassen til materialene som det arbeides med. Treff nødvendige tiltak for å holde eksponeringen på et trygt nivå, f.eks. ved å bruke et støvoppsamlingsystem eller egnet åndedrettsvern. Til de generelle tiltakene for å redusere eksponeringen hører:
 - ▶ arbeid i et godt ventilert område,
 - ▶ unngå langvarig kontakt med støv,
 - ▶ led bort støv fra ansikt og kropp,
 - ▶ bruk verneutstyr og vask eksponerte områder med vann og såpe.



- ▶ Ta hyppige pauser og gjør øvelser for å øke blodgjennomstrømningen i fingrene. Ved langvarig arbeid kan kraftige vibrasjoner føre til forstyrrelser i blodkar eller nervesystemet i fingre, hender eller håndledd.
- ▶ Ikke se rett inn i belysningen (LED), og ikke lys inn i ansiktet til andre personer. Du kan bli blendet.
- ▶ Unngå inntrengning av fuktighet. En kortslutning som forårsakes av fuktighet, kan føre til brann eller forbrenninger.
- ▶ Fare for personskade på grunn av verktøy og/eller tilbehør som faller ned. Kontroller før arbeidet påbegynnes at batteri og monteret tilbehør er godt festet.
- ▶ Ikke fest noen beltekrok til dette produktet.

Elektrisk sikkerhet

- ▶ Kontroller før arbeidet påbegynnes at det ikke finnes skjulte strømledninger, gass- eller vannrør i arbeidsområdet. Utvendige metalldeleer på produktet kan forårsake elektrisk støt eller en eksplosjon dersom du skader en strømledning, et gass- eller vannrør.

Forsiktig behandling og bruk av elektroverktøy

- ▶ Slå produktet av umiddelbart hvis verktøyet setter seg fast. Produktet kan gli ut til siden.
- ▶ Vent til produktet har stanset helt før du legger det fra deg.

2.4 Aktsom håndtering og bruk av batterier

- ▶ **Ta hensyn til følgende sikkerhetsanvisninger for sikker håndtering og bruk av li-ion-batterier.** Manglende overholdelse kan føre til hudirritasjoner, alvorlige korrosive skader, kjemiske forbrenninger, brann og/eller eksplosjoner.
 - ▶ Bruk kun batterier i teknisk feilfri stand.
 - ▶ Behandle batterier med omhu for å unngå skader og forhindre at svært helseskadelige væsker lekker ut!
 - ▶ Batterier må under ingen omstendigheter modifiseres eller manipuleres!
 - ▶ Batteriene må ikke tas fra hverandre, klemmes, varmes opp over 80 °C (176 °F) eller brennes.
 - ▶ Ikke bruk eller lad opp batterier som har vært utsatt for et støt eller er skadd på annen måte. Kontroller batteriene regelmessig for å se etter tegn på skader.
 - ▶ Bruk aldri resirkulerte eller reparerte batterier.
 - ▶ Ikke bruk batteriet eller et batteridrevet elektroverktøy som slagverktøy.
 - ▶ Utsett aldri batterier for direkte sollys, høy temperatur, gnistdannelse eller åpen flamme. Dette kan føre til eksplosjoner.
 - ▶ Ikke berør batteripolene med fingrene, verktøy, smykker eller andre elektrisk ledende gjenstander. Dette kan skade batteriet samt forårsake materielle skader og personskader.
 - ▶ Hold batteriene unna regn, fuktighet og væsker. Hvis fuktighet trenger inn, kan dette føre til kortslutning, elektrisk støt, forbrenninger, brann og eksplosjoner.
 - ▶ Bruk kun ladere og elektroverktøy som er beregnet på denne batteritypen. Følg i den forbindelse opplysningene i de tilhørende bruksanvisningene.
 - ▶ Ikke bruk eller oppbevar batteriet i eksplosjonsfarlige omgivelser.
 - ▶ Hvis batteriet er for varmt til at du kan ta på det, kan det være defekt. Plasser batteriet på et synlig, ikke brennbart sted med tilstrekkelig avstand til brennbare materialer. La batteriet kjøle. Hvis batteriet fremdeles er for varmt til at du kan ta på det etter en time, er det defekt. Kontakt **Hilti** service eller les dokumentet "Informasjon om sikkerhet og bruk av **Hilti** li-ion-batterier".



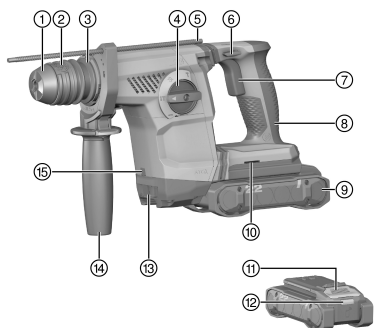
Ta hensyn til spesielle retningslinjer som gjelder for transport, lagring og bruk av litium-ion-batterier. → Side 49

Les informasjonen om sikkerhet og bruk av **Hilti** li-ion-batterier, som du finner ved å skanne QR-koden bakerst i denne bruksanvisningen.



3 Beskrivelse

3.1 Produktoversikt



- ① Støvkappe
- ② Verktøysperre/chuck
- ③ Tilkobling for støvoppsamler
- ④ Funksjonsvelger
- ⑤ Dybdeanlegg
- ⑥ Bryter for høyre-/venstregang med transport-sikring
- ⑦ Kontrollbryter
- ⑧ Håndtak
- ⑨ Batteri
- ⑩ Monteringsåpning for tilbehør
- ⑪ Låseknapp for batteri
- ⑫ Statusindikator batteri
- ⑬ Tilkobling for støvmodul TE DRS-4/6 (01)
- ⑭ Sidehåndtak
- ⑮ Arbeidsområdebelysning (lysdiode)

3.2 Forskriftsmessig bruk

Det beskrevne produktet er en batteridrevet borhammer. SDS-Plus. Den er beregnet til hammerboring i betong og mur, boring i stål, tre og mur og til innskruing og løsning av skruer. Produktet er også egnet til lett meisling i mur og til etterarbeid i betong.

- Til dette produktet må det bare benyttes **Hilti** Nuron Li-Ion-batterier i serien B 22. For optimal ytelse anbefaler **Hilti** å bruke batteriene som er angitt i tabellen på slutten av denne bruksanvisningen til produktet.
- Til disse batteriene må det bare brukes **Hilti**-ladere i seriene som er omtalt i tabellen bakerst i denne bruksanvisningen.

3.3 Dette følger med:

borhammer SDS-Plus, sidehåndtak, dybdeanlegg, fett, bruksanvisning.

Støvmodulen TE DRS-4/6 (01) tilbyes som tilbehør for å kunne arbeide med liten støvdannelse.

I tillegg finner du tillatte systemprodukter til produktet hos nærmeste **Hilti Store** eller under: www.hilti.group

3.4 Indikatorer for li-ion-batteriet

Hilti Nuron Li-ion-batterier kan indikere ladetilstand, feilmeldinger og batteriets tilstand.

3.4.1 Indikatorer for ladetilstand og feilmeldinger

ADVARSEL

Fare for personskader på grunn av batteri som faller ned!

- Når du har satt i batteriet og trykt på låseknappen, må du kontrollere at batteriet igjen klikker på plass i produktet som brukes.

For å få frem en av følgende indikatorer trykker du kort på batteriets utløserknapp.

Ladetilstanden samt eventuelle feil indikeres også hele tiden så lenge det tilkoblede produktet er slått på.

Tilstand	Betydning
Fire (4) lysdioder (LED) lyser konstant grønt	Ladetilstand: 100 % til 71 %
Tre (3) lysdioder (LED) lyser konstant grønt	Ladetilstand: 70 % til 51 %
To (2) lysdioder (LED) lyser konstant grønt	Ladetilstand: 50 % til 26 %
Én (1) lysdiode (LED) lyser konstant grønt	Ladetilstand: 25 % til 10 %
Én (1) lysdiode (LED) blinker langsomt grønt	Ladetilstand: < 10 %



Tilstand	Betydning
Ėn (1) lysdiode (LED) blinker raskt grønt	Li-ion-batteriet er helt utladet. Lad batteriet. Hvis lysdioden fortsatt blinker raskt etter at batteriet er ladet, kontakter du Hilti service.
Ėn (1) lysdiode (LED) blinker raskt gult	Li-ion-batteriet eller det tilkoblede produktet er overbelastet, for varmt eller for kaldt eller det foreligger en annen feil. Bring produktet og batteriet til anbefalt arbeids-temperatur, og ikke overbelast produktet når du bruker det. Hvis meldingen vedvarer, kontakter du Hilti service.
Ėn (1) lysdiode (LED) lyser gult	Li-ion-batteriet og det tilkoblede produktet er ikke kompatible. Kontakt Hilti service.
Ėn (1) lysdiode (LED) blinker raskt rødt	Li-ion-batteriet er sperret og kan ikke brukes lenger. Kontakt Hilti service.

3.4.2 Indikering av batteriets tilstand

For å sjekke tilstanden til batteriet holder du utløserknappen inne i over tre sekunder. Systemet registrerer ikke mulige funksjonsfeil på batteriet som følge av skjodesløs bruk, som f.eks. at det er mistet ned, er påført hull eller skader forårsaket av eksterne varmekilder osv.

Tilstand	Betydning
Alle LED-ene lyser som løpelys og deretter lyser Ėn (1) LED konstant grønt.	Batteriet kan brukes videre.
Alle LED-ene lyser som løpelys og deretter blinker Ėn (1) LED raskt gult.	Kartlegging av batteriets tilstand kunne ikke fullføres. Gjenta prosedyren eller kontakt Hilti service.
Alle LED-ene lyser som løpelys og deretter lyser Ėn (1) LED konstant rødt.	Hvis et tilkoblet produkt fortsatt kan brukes, er den gjenværende batterikapasiteten under 50 %. Hvis et tilkoblet produkt ikke lenger kan brukes, er batteriets levetid over og batteriet må skiftes ut. Kontakt Hilti service.

4 Tekniske data

Vekt i henhold til EPTA Procedure 01 uten batteri	2,84 kg
Enkeltlagenergi ifølge EPTA-prosedyre 05	2,6 J
Boreområde i betong/mur (hammerboring)	4 mm ... 28 mm
Omgivelsestemperatur under drift	-17 °C ... 60 °C
Lagringstemperatur	-20 °C ... 70 °C

4.1 Batteri

Batteriets driftsspenning	21,6 V
Vekt batteri	Se bakerst i bruks-anvisningen
Omgivelsestemperatur under drift	-17 °C ... 60 °C
Lagringstemperatur	-20 °C ... 40 °C
Batteritemperatur ved ladestart	-10 °C ... 45 °C

4.2 Støyinformasjon og vibrasjonsverdier iht. EN 60745

Lydtrykk- og vibrasjonsverdiene som er angitt i denne bruksanvisningen, er målt i samsvar med en normert målemetode og kan brukes til sammenligning av elektroverktøy. De egner seg også til en foreløpig vurdering av eksponeringene. De angitte dataene representerer de viktigste bruksområdene for elektroverktøyet. Men hvis elektroverktøyet brukes til andre formål, med avvikende innsatsverktøy eller med utilstrekkelig



vedlikehold, kan dataene avvike. Dette kan øke eksponeringene betraktelig gjennom hele arbeidsperioden. For å få en nøyaktig vurdering av eksponeringene må man også ta hensyn til tidsrommene da maskinen er slått av eller er i gang, men ikke i drift. Dette kan redusere eksponeringene betraktelig gjennom hele arbeidsperioden. Fastsett ekstra sikkerhetstiltak for å beskytte operatøren mot effekten av støy og/eller vibrasjoner, for eksempel: Vedlikehold av elektroverktøy og innsatsverktøy, holde hendene varme, organisering av arbeidsprosesser.

Støyutslippsverdier

Avgitt lydtrykk (L_{pA})	91 dB(A)
Usikkerhet lydtrykknivå (K_{pA})	3 dB(A)
Lydeffektnivå (L_{WA})	102 dB(A)
Usikkerhet lydeffektnivå (K_{WA})	3 dB(A)

Totale vibrasjonsverdier

		TE 6-22	TE 6-22 + TE DRS-46 (01)
Hammerboring i betong ($a_{h, HD}$)	B 22-85	10,7 m/s ²	10,6 m/s ²
	B 22-170	10,4 m/s ²	11,3 m/s ²
Meisling	B 22-85	6,3 m/s ²	5,5 m/s ²
	B 22-170	6,3 m/s ²	6,0 m/s ²
Usikkerhet (K)		1,5 m/s ²	1,5 m/s ²

5 Klargjøring til arbeidet

ADVARSEL

Fare for personskader på grunn av utilsiktet start!

- ▶ Før batteriet settes i, må det kontrolleres at det tilhørende produktet er slått av.
- ▶ Fjern batteriet før du foretar maskininnstillinger eller skifter tilbehørsdeler.

Følg sikkerhetshenvisningene og advarslene i denne dokumentasjonen og på produktet.

5.1 Lade batteriet

1. Les bruksanvisningen for laderen før lading.
2. Kontaktene på batteriet og laderen må være rene og tørre.
3. Lad opp batteriet i en godkjent lader. → Side 44

5.2 Sette i batteri

ADVARSEL

Fare for personskader på grunn av kortslutning eller ved at batteriet faller ned!

- ▶ Forsikre deg om at det ikke er fremmedlegemer ved kontaktene på batteriet og kontaktene på produktet før du setter batteriet inn i maskinen.
- ▶ Kontroller at batteriet alltid går riktig i inngrep.

1. Lad batteriet helt opp før første gangs bruk.
2. Skyv batteriet inn i produktet til det klikker hørbart på plass.
3. Kontroller at batteriet sitter godt fast.

5.3 Ta ut batteri

1. Trykk på batteriets opplåsningsknapp.
2. Trekk batteriet ut av produktet.

5.4 Montere sidehåndtak

1. Vri på håndtaket for å løsne holderen (klemmen) på sidehåndtaket.
2. Skyv holderen (klemmen) forfra over chucken til kilesporet som er beregnet til dette.
3. Plasser sidehåndtaket i ønsket stilling.



4. Vri på håndtaket for å stramme holderen (klemmen) på sidehåndtaket.

5.5 Sette i innsatsverktøy



Smør innstikkenden til innsatsverktøyet med litt fett.
Bruk bare originalfett fra Hilti. Feil fett kan forårsake skade på produktet.

1. Sett innsatsverktøyet inn i chucken og vri det med lett mottrykk, inntil det festes hørbart.
2. Trekk i verktøyet etter at du har satt det i, for å forsikre deg om at det er godt festet.
 - ▶ Produktet er klart til bruk.

5.6 Ta ut innsatsverktøyet



FORSIKTIG

Fare for personskade på grunn av innsatsverktøy! Innsatsverktøyet kan være varmt og ha skarpe kanter.

- ▶ Bruk vernehansker når du skifter innsatsverktøy.

1. Trekk verktøylåsen tilbake til anslag.
2. Ta ut innsatsverktøyet.

5.7 Montering og justering av dybdeanlegg

1. Trykk inn og hold inne opplåsingsknappen på sidehåndtaket.
2. Skyv dybdeanlegget inn i åpningen på sidehåndtaket forfra. Still inn dybdeanlegget på ønsket boreddybde.
3. Slipp opplåsingsknappen.
 - ▶ Dybdeanlegget er låst.

5.8 Fallsikring



ADVARSEL

Fare for personskader som følge av at verktøy og/eller tilbehør faller ned!

- ▶ Bruk bare verktøysnoren som er anbefalt av **Hilti** til produktet.
- ▶ Kontroller festepunktet for verktøysnoren for mulige skader før hver bruk.



Følg nasjonale retningslinjer for arbeid i høyden.

Som fallsikring av dette produktet skal du kun bruke en kombinasjon av **Hilti** fallsikring og **Hilti** verktøysnor #2261970.

- ▶ Fest fallsikringen i monteringsåpningene for tilbehør. Kontroller at den sitter forsvarlig fast.
- ▶ Fest den ene karabinkroken på verktøysnoren til fallsikringen og den andre karabinkroken til en bærende konstruksjon. Kontroller at begge karabinkroene sitter forsvarlig fast.



Følg bruksanvisningene for **Hilti** fallsikring samt **Hilti** verktøysnor.

6 Betjening

Følg sikkerhetsanvisningene og advarslene i denne dokumentasjonen og på produktet.

6.1 Slå på og av

1. For å slå på produktet trykker du på kontrollbryteren.
 - ▶ Avhengig av hvor langt inn kontrollbryteren trykkes, kan turtallet justeres trinnløst.
2. For å slå produktet av må du slippe kontrollbryteren.



6.2 Rotasjonsretning

- ▶ Still inn rotasjonsretningen.
 - ▶ Bryteren låses i denne posisjonen.


6.3 Funksjonsvelger

Sett funksjonsvelgeren på ønsket funksjon.




Fare for materiell skade! Funksjonsbryteren må ikke betjenes under drift.

Boring uten slag

- Sett funksjonsvelgeren på .


Boring med slag

- Sett funksjonsvelgeren på .

Plassere meiselen

- Sett funksjonsvelgeren på .

Meisling

- Sett funksjonsvelgeren på .

7 Ekstra tilbehør

7.1 Støvmodul TE DRS-46 (01)

Støvmodulen TE DRS-46 (01) brukes som tilbehør til borhammeren SDS-Plus. Den samler opp en stor prosentdel av støvet som oppstår og kan enkelt festes på borhammeren SDS-Plus. I støvmodulen er det innebygd en sugevifte. Denne drives av en egen motor. Når du slår på borhammeren SDS-Plus, får modulen strøm fra batteriet på borhammeren SDS-Plus.

Støvmodulen er ikke egnet ved arbeid i metall og tre.

Betingelser: TE DRS-46 (01) OSHA

TE DRS-46 (01) OSHA oppfyller direktivet OSHA 1926.1153 Table 1. Den er utstyrt med en filterrense-mekanisme.

7.2 Montere støvopsamler for arbeid over hodehøyde

1. Sett i innsatsverktøyet. → Side 47
2. Skyv støvopsamleren over chucken og sett den inn i sporene på huset på borhammeren SDS-Plus.
3. Drei støvopsamleren mot urviseren for å låse den.

8 Service og vedlikehold



ADVARSEL

Fare for personskader på grunn av isatt batteri !

- ▶ Ta alltid ut batteriet før stell og vedlikeholdsarbeid!

Pleie av produktet

- Fjern forsiktig gjenstridig smuss.
- Rengjør ventilasjonsåpningene, der slike finnes, forsiktig med en tørr og myk børste.
- Rengjør huset bare med en lett fuktet klut. Ikke bruk silikonholdige pleiemidler, ettersom dette kan angripe plastdelene.
- Bruk en ren og tørr klut for å rengjøre kontaktene på produktet.

Vedlikehold av li-ion-batterier

- Bruk aldri et batteri med tilstoppede ventilasjonsåpninger. Rengjør ventilasjonsåpningene forsiktig med en tørr og myk børste.



- Unngå at batteriet unødig utsettes for støv eller smuss. Utsett aldri batteriet for høy fuktighet (f.eks. ved å senke det ned i vann eller la det stå i regn). Hvis et batteri blir gjennomvått, skal du behandle det som et skadd batteri. Isoler det i en ikke-brennbar beholder og kontakt **Hilti** service.
- Hold batteriet fritt for fremmed olje og fett. Ikke la unødig støv eller smuss samle seg på batteriet. Rengjør batteriet med en tørr og myk børste eller en ren og tørr klut. Ikke bruk silikonholdige pleiemidler, ettersom dette kan angripe plastdelene. Ikke berør kontaktene på batteriet, og ikke fjern fettene som er smurt på kontaktene fra fabrikkens.
- Rengjør huset bare med en lett fuktet klut. Ikke bruk silikonholdige pleiemidler, ettersom dette kan angripe plastdelene.

Vedlikehold

- Kontroller alle synlige deler regelmessig mht. skade og alle betjeningslementer mht. feilfri funksjon.
- Ved skader og/eller funksjonsfeil må produktet ikke brukes. Få produktet omgående reparert av **Hilti** service.
- Monter alle beskyttelsesinnretninger etter pleie- og vedlikeholdsarbeid, og kontroller at de fungerer feilfritt.



Av hensyn til sikkerheten må du bare bruke originale reservedeler og forbruksmateriell. Reservedeler, forbruksmaterialer og tilbehør som er godkjent av **Hilti**, finner du hos **Hilti Store** eller på: www.hilti.group

8.1 Rengjøring av støvbeskyttelseskappen

- ▶ Rengjør støvbeskyttelseskappen på chucken med en ren, tørr klut.
- ▶ Tørk pakningen forsiktig ren og smør den inn med litt **Hilti**-smørefett.
- ▶ Støvbeskyttelseskappen må alltid byttes hvis pakningen er skadet.

9 Transport og lagring av batteriverktøy og batterier

Transport



Utsiktet start under transport !

- ▶ Transporter alltid produktene dine uten batterier!
- ▶ Ta ut batteri(er).
- ▶ Batterier må aldri transporteres løst. Under transport må batteriene beskyttes mot kraftige støt og vibrasjoner og isoleres fra ledende materialer og andre batterier, slik at de ikke kan komme i berøring med andre batteripoler og dermed forårsake kortslutning. **Følg lokale transportforskrifter for batterier.**
- ▶ Batterier må ikke sendes i posten. Kontakt et transportfirma hvis du vil sende uskadde batterier.
- ▶ Kontroller produkt og batterier med henblikk på skader før hver bruk samt før og etter lengre transport.

Lagring



Utsiktet skade på grunn av defekte batterier eller lekkasje fra batterier !

- ▶ Oppbevar alltid produktene dine uten batterier!
- ▶ Oppbevar produkt og batterier kjølig og tørt. Ta hensyn til temperaturrensene som er angitt under tekniske data.
- ▶ Ikke oppbevar batterier på laderen. Ta alltid batteriet ut av laderen etter ferdig lading.
- ▶ Batterier må aldri oppbevares i solen, på varmekilder eller bak glass.
- ▶ Oppbevar produktet og batterier utenfor barns og uvedkommendes rekkevidde.
- ▶ Kontroller produkt og batterier med henblikk på skader før hver bruk samt før og etter lengre tids lagring.

10 Feilsøking

Ved alle feil må du sjekke batteriets indikator for ladetilstand og feil. Se kapittelet **Indikatorer for li-ion-batteriet**.

Ved feil som ikke står i denne tabellen eller som du selv ikke kan utbedre, må du kontakte **Hilti** service.



Feil	Mulig årsak	Løsning
Kontrollbryteren kan ikke trykkes inn eller er blokkert.	Bryteren for høyre-/venstregang er i midtstilling.	▶ Trykk bryteren for høyre-/venstregang mot høyre eller venstre.
Maskinens spindel dreier ikke.	Batteriet er ikke satt helt inn.	▶ Sett batteriet på plass med et hørbart klikk.
	Bryteren for høyre-/venstregang er i midtstilling.	▶ Trykk bryteren for høyre-/venstregang mot høyre eller venstre.
	Funksjonsvelgeren står ikke i stilling eller er i stillingen "Meisling" eller i stillingen "Plassere meiselen" .	▶ Sett funksjonsvelgeren ved stillstand i stillingen "Boring uten slag" eller "Hammerboring" .
Slageeffekt uteblir.	Produkt for kaldt.	▶ Sett produktet på underlaget og la det gå på tomgang. Gjenta hvis nødvendig til slagverket arbeider.
	Funksjonsvelger på "Boring uten slag" .	▶ Sett funksjonsvelgeren på "Hammerboring" .
Batteriet blir tomt raskere enn vanlig.	Batteriets tilstand er ikke optimal.	▶ Sjekk batteriets tilstand. → Side 44
Batteriet festes ikke med et hørbart klikk.	Festetappen på batteriet er skitten.	▶ Rengjør festetappen og sett batteriet inn igjen.
Batteriindikatoren viser ingenting	Defekt batteri	▶ Kontakt Hilti service.
Sterk varmeutvikling i produktet eller batteriet.	Elektrisk defekt	▶ Slå av produktet umiddelbart. Ta ut batteriet og undersøk det. La det avkjøles. Kontakt Hilti service.
Verktøyet løsner ikke fra chocken.	Chocken er ikke trukket helt tilbake.	▶ Trekk verktøylåsen tilbake til anslag og ta ut verktøyet.
Verktøyet trenger ikke inn i materialet.	Produktet er innstilt på venstregang.	▶ Still inn høyregang med bryteren for høyre-/venstregang.
	Funksjonsvelger på "Boring uten slag" .	▶ Sett funksjonsvelgeren på "Hammerboring" .

11 Kassering

ADVARSEL

Fare for personskade ved ikke-forskriftsmessig kassering! Gasser eller væsker som lekker ut, utgjør en helsefare.

- ▶ Ikke send skadde batterier i posten eller på annen måte!
- ▶ Dekk til kontaktene med et ikke-ledende materiale for å unngå kortslutning.
- ▶ Kasser batterier slik at de er utilgjengelige for barn.
- ▶ Lever inn batteriet i nærmeste **Hilti Store**, eller kontakt et lokalt renovasjonsfirma.

Hilti produkter er i stor grad laget av gjenvinnbare materialer. Riktig materialsortering er en forutsetning for gjenvinning. I mange land tar **Hilti** imot ditt gamle apparat for gjenvinning. Spør **Hilti** kundeservice eller forhandleren.



- ▶ Kast aldri elektroverktøy, elektronisk utstyr eller batterier i husholdningsavfallet!

12 Produsentgaranti

- ▶ Når det gjelder spørsmål om garantibetingelser, ber vi deg kontakte din lokale **Hilti**-partner.



13 Ytterligere informasjon

Du finner mer informasjon om betjening, teknologi, miljø og resirkulering under følgende lenke: qr.hilti.com/manual?id=2264935&id=2264937

Denne lenken finner du også som QR-kode bakerst i dokumentasjonen.

Alkuperäiset ohjeet

1 Dokumentaation tiedot

1.1 Tästä dokumentaatiosta

- Lue ehdottomasti tämä dokumentaatio ennen tuotteen käyttöönottoa. Se on turvallisen työn teon ja tuotteen ongelmattoman käsittelyn perusedellytys.
- Noudata tässä dokumentaatiossa ja tuotteessa olevia turvallisuus- ja varoitushuomautuksia.
- Säilytä käyttöohje aina tuotteen yhteydessä ja varmista, että käyttöohje on mukana, kun luovutat tuotteen toiselle henkilölle.

1.2 Merkkien selitykset

1.2.1 Varoitushuomautukset

Varoitushuomautukset varoittavat tuotteen käyttöön liittyvistä vaaroista. Seuraavia varoitustekstejä käytetään:

VAKAVA VAARA

VAKAVA VAARA !

- ▶ Varoittaa uhaavasta vaaratilanteesta, josta voi seurauksena olla vakava loukkaantuminen tai jopa kuolema.

VAARA

VAARA !

- ▶ Varoittaa mahdollisesta vaarasta, josta voi seurauksena olla vakava loukkaantuminen tai kuolema.







VAROITUS

HUOMIO !

- ▶ Varoittaa mahdollisesta vaaratilanteesta, josta voi seurata loukkaantuminen tai aineellinen vahinko.

1.2.2 Symbolit käyttöohjeessa

Tässä käyttöohjeessa käytetään seuraavia symboleita:

	Noudata käyttöohjetta
	Toimintaohjeita ja muuta hyödyllistä tietoa
	Kierrätyskelpoisten materiaalien käsittely
	Älä hävitä sähkölaitteita ja akkuja tavallisen sekajätteen mukana
	Hilti Litiumioniakku
	Hilti Laturi

1.2.3 Symbolit kuvissa

Kuvissa käytetään seuraavia symboleita:

- 2** Nämä numerot viittaavat vastaavaan kuvaan tämän käyttöohjeen alussa.



3	Numerointi kertoo työvaiheiden järjestyksen kuvissa ja saattaa poiketa numeroinnista tekstissä.
	Kohtanumeroita käytetään kuvassa Yleiskuva , ja ne viittaavat kuvatekstien numerointiin kappaleessa Tuoteyhteenveto .
	Tämän merkin tarkoitus on kiinnittää erityinen huomiosi tuotteen käyttöön ja käsittelyyn.

1.3 Tuotekohtaiset symbolit

1.3.1 Symbolit tuotteessa

Tuotteessa voidaan käyttää seuraavia symboleita:

	Tämä tuote tukee iOS- ja Android-alustojen kanssa yhteensopivaa NFC-tekniologiaa.
	Poraus ilman iskua
	Poraaminen iskulla (iskuporaus)
	Piikkausterän kohdistaminen
	Piikkaaminen
	Suunnanvaihtokytkin vasemmalle/oikealle
n_0	Nimellisjoutokäyntikierrosluku
	Tasavirta
Li-Ion	Litiumioniakku
	Älä koskaan käytä akkua lyöntityökaluna.
	Älä päästä akkua putoamaan. Älä käytä akkua, johon on kohdistunut isku tai joka on muutoin vaurioitunut.

1.4 Tuotetiedot

HILTI -tuotteet on tarkoitettu ammattikäyttöön, ja niitä saa käyttää, huoltaa tai korjata vain valtuutettu, koulutettu henkilö. Käyttäjän pitää olla hyvin perillä käyttöön liittyvistä vaaroista. Tuote ja sen varusteet saattavat aiheuttaa vaaratilanteita, jos kokemattomat henkilöt käyttävät tuotetta ohjeiden vastaisesti tai muutoin asiattomasti.

Tyypimerkinnän ja sarjanumeron löydät tyypikilvestä.

- Kirjoita sarjanumero oheiseen taulukkoon. Tuotteen tiedot tarvitaan, jos esität kysymyksiä myynti- tai huoltoedustajallemme.

Tuotetiedot

Poravasara SDS-Plus	TE 6-22
Sukupuolvi	05
Sarjanumero	

1.5 Vaatimustenmukaisuusvakuutus

Valmistaja vakuuttaa, että tässä kuvattu tuote täyttää sitä koskevien voimassa olevien lakien ja standardien vaatimukset. Kuva vaatimustenmukaisuusvakuutuksesta on tämän dokumentaation lopussa.

Tekninen dokumentaatio löytyy tästä:

Hilti Entwicklungsgesellschaft mbH | Zulassung Geräte | Hiltistraße 6 | 86916 Kaufering, DE



2 Turvallisuus

2.1 Sähkötyökaluja koskevat yleiset turvallisuusohjeet

⚠ VAKAVA VAARA Lue kaikki turvallisuus- ja käyttöohjeet, selostukset ja tekniset tiedot, jotka liittyvät tähän sähkötyökaluun. Seuraavien ohjeiden noudattamatta jättäminen saattaa johtaa sähköiskuun, tulipaloon ja/tai vakavaan loukkaantumiseen.

Säilytä kaikki turvallisuus- ja käyttöohjeet huolellisesti vastaisen varalle.

Turvallisuusohjeissa käytetty käsite ”sähkötyökalu” tarkoittaa verkkokäyttöisiä sähkötyökaluja (joissa verkkojohto) ja akkukäyttöisiä sähkötyökaluja (joissa ei verkkojohtoa).

Työpaikan turvallisuus

- ▶ **Pidä työskentelyalue siistinä ja hyvin valaistuna.** Työpaikan epäjärjestys ja valaisemattomat työalueet voivat johtaa tapaturmiin.
- ▶ **Älä käytä sähkötyökalua räjähdysalttiissa ympäristössä, jossa on syttyvää nestettä, kaasua tai pölyä.** Sähkötyökalut synnyttävät kipinöitä, jotka saattavat sytyttää pölyn tai höyryt.
- ▶ **Pidä lapset ja sivulliset loitolla sähkötyökalua käyttäessäsi.** Voit menettää koneen hallinnan huomiosi suuntautuessa muualle.

Sähköturvallisuus

- ▶ **Sähkötyökalun pistokkeen pitää sopia pistorasiaan. Pistoketta ei saa muuttaa millään tavalla.** Älä käytä pistorasia-adaptoreita suojamaadotettujen sähkötyökalujen yhteydessä. Alkuperäisessä kunnossa olevat pistokkeet ja sopivat pistorasiat vähentävät sähköiskun vaaraa.
- ▶ **Vältä koskettamasta sähköä johtaviin pintoihin kuten putkiin, pattereihin, liesiin ja jääkaappeihin.** Sähköiskun vaara kasvaa, jos kehosi maadottuu.
- ▶ **Älä aseta sähkötyökalua alttiiksi sateelle tai kosteudelle.** Veden tunkeutuminen sähkötyökalun sisään lisää sähköiskun vaaraa.
- ▶ **Älä kannata tai ripusta sähkötyökalua verkkojohdostaan äläkä vedä pistoketta irti pistorasiasta johdosta vetämällä.** Pidä johto loitolla kuumuudesta, öljystä, terävistä reunoista ja liikkuvista osista. Vahingoittuneet tai toisiinsa kietoutuneet johdot lisäävät sähköiskun vaaraa.
- ▶ **Kun käytät sähkötyökalua ulkona, käytä ainoastaan ulkokäyttöön soveltuvia jatkojohtoja.** Ulkoikäyttöön soveltuvan jatkojohdon käyttö pienentää sähköiskun vaaraa.
- ▶ **Jos sähkötyökalua on välttämätöntä käyttää kosteassa ympäristössä, käytä vikavirtasuojakytintä.** Vikavirtasuojakytimen käyttö pienentää sähköiskun vaaraa.

Henkilöturvallisuus

- ▶ **Ole valpas, kiinnitä huomiota työskentelyysi ja noudata tervettä järkeä sähkötyökalua käyttäessäsi.** Älä käytä sähkötyökalua, jos olet väsynyt tai huumeiden, alkoholin tai lääkkeiden vaikutuksen alaisena. Sähkötyökalua käytettäessä hetkellisenkin varomattomuus saattaa aiheuttaa vakavia vammoja.
- ▶ **Käytä henkilökohtaisia suojarusteita ja aina suojalaseja.** Henkilökohtaiset suojarusteet, kuten hengityssuojain, luistamattomat turvajalkineet, kypärä ja kuulosuojaimet, pienentävät oikein käytettyinä loukkaantumisriskiä sähkötyökalun käyttötilanteesta riippuen.
- ▶ **Varo tahatonta käynnistämistä.** Varmista, että sähkötyökalu on kytketty pois päältä, ennen kuin liität sen verkkovirtaan ja/tai liität siihen akun, otat sen käteesi tai kannat sitä. Jos kannat sähkötyökalua sormi käyttökytkimellä tai liität pistokkeen pistorasiaan käyttökytkimen ollessa käyntiasennossa, altistat itsesi onnettomuuksille.
- ▶ **Poista kaikki säätötyökalut ja ruuvitalat, ennen kuin käynnistät sähkötyökalun.** Työkalu tai avain, joka sijaitsee koneen pyörivässä osassa, saattaa johtaa loukkaantumiseen.
- ▶ **Vältä vaikeita työskentelyasentoja. Varmista aina tukeva seisoma-asento ja tasapaino.** Siten voit paremmin hallita sähkötyökalua odottamattomissa tilanteissa.
- ▶ **Käytä työohsi soveltuvia vaatteita. Älä käytä löysiä työvaatteita tai koruja. Pidä hiukset, vaatteet ja käsineet loitolla liikkuvista osista.** Väljät vaatteet, korut ja pitkät hiukset voivat takertua liikkuviin osiin.
- ▶ **Jos pölynpoisto- ja keräilylaitteita voidaan asentaa, sinun on tarkastettava, että ne on liitetty oikein ja että niitä käytetään oikealla tavalla.** Pölynpoistovarustuksen käyttö vähentää pölyn aiheuttamia vaaroja.
- ▶ **Älä tuudittaudu virheelliseen turvallisuuden tunteeseen äläkä laiminlyö sähkötyökaluja koskevia turvallisuusohjeita silloinkaan, kun mielestäsi jo olet kokenut sähkötyökalun käyttäjä.** Harkitsema- ton ja huolimaton toiminta voi sekunnin murto-osissa johtaa vakaviin loukkaantumisiin.

Sähkötyökalun käyttö ja käsittely

- ▶ **Älä ylikuormita konetta.** Käytä kyseiseen työhön tarkoitettua sähkötyökalua. Sopivaa sähkötyökalua käyttäen työskentelet paremmin ja varmemmin tehoalueella, jolle sähkötyökalu on tarkoitettu.
- ▶ **Älä käytä sähkötyökalua, jonka käyttökytkin ei toimi.** Sähkötyökalu, jota ei enää voida käynnistää ja pysäyttää käyttökytkimellä, on vaarallinen ja se täytyy korjata.



- ▶ **Irrota pistoke pistorasiasta ja/tai irrota akku ennen kuin muutat säätöjä, vaihdat terää tai lisävarusteita ja kun lopetat koneen käyttämisen.** Tämä turvatoimenpide estää sähkötyökalun tahattoman käynnistysriskin.
- ▶ **Säilytä sähkötyökalut poissa lasten ulottuvilta, kun niitä ei käytetä. Älä anna toisten henkilöiden käyttää konetta, elleivät he ole perehtyneet sen käyttöön ja lukeneet käyttöohjeita.** Sähkötyökalut ovat vaarallisia, jos niitä käyttävät kokemattomat henkilöt.
- ▶ **Hoida sähkötyökaluja ja niiden varusteita huolella. Tarkasta, että liikkuvat osat toimivat moitteettomasti eivätkä ole puristuksissa, ja tarkasta myös, ettei sähkötyökalussa ole murtuneita tai vaurioituneita osia, jotka saattaisivat haitata sen toimintaa. Korjauta vaurioituneet osat ennen koneen käyttämistä.** Usein loukkaantumisten ja tapaturmien syynä on sähkötyökalujen laiminlyöty huolto.
- ▶ **Pidä terät terävinä ja puhtaina.** Huolella hoidetut terät, joiden leikkausreunat ovat teräviä, eivät jumitu herkästi, ja niillä työnkeko on kevyempää.
- ▶ **Käytä sähkötyökalua, lisävarusteita ja tarvikkeita, teriä jne. niiden käyttöohjeiden mukaisesti. Ota tällöin työolosuhteet ja suoritettava työtehtävä huomioon.** Sähkötyökalun käyttö muuhun kuin sille tarkoitettuun käyttöön saattaa johtaa vaarallisiin tilanteisiin.
- ▶ **Pidä käsikahvat ja tartuntapinnat kuivina, puhtaina, öljyttöminä ja rasvattomina.** Jos käsikahvat tai tartuntapinnat ovat liukkaat, sähkötyökalun turvallinen käyttö ja hallinta voi yllättävissä tilanteissa olla mahdollonta.

Akkukäyttöisen sähkötyökalun käyttö ja käsittely

- ▶ **Lataa akku vain valmistajan suositamalla laturilla.** Jos laturi on tarkoitettu vain tietyn akkumallin lataamiseen, palovaara on olemassa, jos laturia käytetään muiden akkujen lataamiseen.
- ▶ **Käytä ainoastaan juuri kyseiseen sähkötyökaluun tarkoitettua akkua.** Jonkun muun akun käyttö saattaa johtaa loukkaantumiseen ja tulipaloon.
- ▶ **Pidä irrallinen akku loitolla metalliesineistä, kuten paperinliittimistä, kolikoista, avaimista, nau-loista, ruuveista tai muista pienistä metalliesineistä, jotka voivat oikosulkea akun liittimet.** Akun liittimien välinen oikosulku saattaa aiheuttaa palovammoja tai johtaa tulipaloon.
- ▶ **Väärästä käytöstä johtuen saattaa akusta vuotaa nestettä, jota ei saa koskettaa. Vältä kosketusta sen kanssa. Tarvittaessa huuhtelee kosketuskohta vedellä. Jos nestettä pääsee silmiin, tarvitaan lisäksi lääkärin apua.** Akusta vuotava neste saattaa aiheuttaa ärsytystä ja palovammoja.
- ▶ **Älä käytä akkua, joka on vaurioitunut tai johon on tehty muutoksia.** Vaurioitunut akku tai akku, jota on muutettu, saattaa käyttäytyä yllättävästi ja aiheuttaa tulipalon, räjähdyksen ja vammoja.
- ▶ **Varjele akkua avotulelta ja korkeilta lämpötiloilta.** Avotuli tai yli 130 °C:n (265 °F) lämpötila voi aiheuttaa räjähdyksen.
- ▶ **Noudata kaikkia akun lataamisesta annettuja ohjeita, ja lataa akku tai akun sisältävä sähkötyökalu aina käyttöohjeessa mainittuja lämpötilarajoja noudattaen.** Akun virheellinen lataaminen tai lataami-nen sallitun lämpötila-alueen lämpötiloja noudattamatta saattaa johtaa akun tuhoutumiseen ja aiheuttaa tulipalovaaran.

Huolto

- ▶ **Anna koulutettujen ammattihenkilöiden korjata sähkötyökalusi ja hyväksy korjauksiin vain alkupe-räisiä varaosia.** Siten varmistat koneen turvallisuuden säilymisen.
- ▶ **Älä koskaan yritä huoltaa vaurioitunutta akkua.** Akkujen kaikki huoltotyöt saa suorittaa vain valmistaja tai sen valtuuttama huoltopiste.

2.2 Poravaroroita koskevat turvallisuusohjeet

- ▶ **Käytä kuulosuojaimia.** Melu saattaa heikentää kuuloasi.
- ▶ **Käytä koneen mukana toimitettuja lisäkäsikahvoja.** Koneen hallinnan menettäminen saattaa aiheuttaa loukkaantumisia.
- ▶ **Pidä koneesta kiinni vain sen eristetyistä kahvapinnoista, jos teet työtä, jossa terä saattaa osua rakenteen sisällä olevaan virtajohtoon.** Jos terä osuu virtajohtoon, koneen metalliosiin saattaa johtua virta, jolloin saatat saada sähköiskun.

2.3 Muut turvallisuusohjeet

Henkilöturvallisuus

- ▶ Käytä vain tuotetta ja lisävarusteita, jotka ovat teknisesti moitteettomassa kunnossa.
- ▶ Älä koskaan tee tuotteeseen tai lisävarusteisiin minkäänlaisia muutoksia.
- ▶ Koneen työkaluterää vaihtaessasi käytä suojakäsineitä, koska käytön myötä työkaluterä ja istukka kuumenevat.



- ▶ Tuotteen vääntömomentti on tuotteen käyttötarkoituksia vastaavasti suuri. Pidä tuotteesta aina kiinni käsikahvoista molemmiin. Käyttäjän pitää olla valmistautunut työkalun äkilliseen jumittumiseen.
- ▶ Varmista, että sivukahva on kiinnitetty oikein ja kunnolla kiinni. Tartu sivukahvaan aina ulkopuolen suunnasta.
- ▶ Materiaalista saattaa työstettäessä sinkoilla sirpaleita. Sirpaleet saattavat aiheuttaa vammoja ja vahingoittaa silmiä. Tuotetta käytettäessä käytä suojalaseja, suojakypärää ja kuulosuojaimia. Käytä lisäksi kevyttä hengityssuojainta, jos käytössä ei ole pölynpoistolaitetta.
- ▶ Kun teet reikiä, varmista työstettävän kohdan taustapuoli. Putoamaan tai sinkoutumaan pääsevät palaset voivat aiheuttaa muille vammoja.
- ▶ Kattoa, seinää ja lattiaa piikattaessa varmista turvallinen ja varma pystyssä pysyminen. Kohteen äkillinen läpimurtuminen voi suistaa sinut tasapainosta.
- ▶ Varo, ettet koske pyöriviin osiin - loukkaantumisvaara!
- ▶ Pidä jäähdytysilmaraat aina puhtaina. Jäähdytysilmarakojen peittyminen tai tukkeutuminen aiheuttaa palovaaran!
- ▶ Kytke tuote päälle vasta, kun olet asettanut sen työn aloittamiskohtaan.
- ▶ Älä työskentele ympäristössä, jossa on erittäin runsaasti pölyä.
- ▶ Hiottaessa, kiillotettaessa, leikattaessa ja porattaessa syntyvä pöly saattaa sisältää vaarallisia kemikaaleja. Niistä esimerkkejä ovat: liijy tai liijypitoiset maalit; tiili, betoni ja muut muuraustuotteet, luonnonkivi ja muut silikaatteja sisältävät tuotteet; tietyt puulajit kuten tammi, pyökki ja kemiallisesti käsitellyt puut; asbesti tai asbestia sisältävät materiaalit. Määritä työstettävien materiaalien vaaraluokituksen perusteella käyttäjän ja lähellä olevien henkilöiden altistumisvaara. Ryhdy tarvittaviin toimenpiteisiin altistumisen pitämiseksi turvallisella tasolla, esimerkiksi käytettävä pölynkeräysjärjestelmää tai soveltuvaa hengityssuojainta. Altistumisen määrää pienentäviä yleisluonteisia toimenpiteitä ovat:
 - ▶ työn tekeminen hyvin tuulettuvassa tilassa,
 - ▶ pitkään kestävä pölyaltistuksen välttäminen,
 - ▶ pölyn ohjaaminen pois kasvoilta ja keholta,
 - ▶ suojavaatetuksen käyttö ja kehon altistuneiden kohtien pesu vedellä ja saippualla.
- ▶ Pidä työssäsi usein taukoja, joiden aikana tee sormien verenkiertoa parantavia sormivivoittelulohkeitä. Pitempään jatkuva työnteko saattaa tärinän vuoksi aiheuttaa verenkiertohäiriöitä tai sormien, käsien ja ranteiden hermokipuja.
- ▶ Älä katso suoraan valoon (LED) äläkä suuntaa valoa muiden henkilöiden kasvoihin. Sokaistumisvaara on olemassa.
- ▶ Estä kosteuden tunkeutuminen koneen sisään. Kosteuden aiheuttama oikosulku saattaa johtaa tulipaloon ja aiheuttaa palovammoja.
- ▶ Putoamaan pääsevät työkalut ja/tai lisävarusteet aiheuttavat loukkaantumisvaaran. Ennen työn aloittamista tarkasta, että akku ja asennettu lisävaruste ovat kunnolla kiinni.
- ▶ Älä kiinnitä vyökoukkuja tähän tuotteeseen.

Sähköturvallisuus

- ▶ Tarkasta ennen työn aloittamista, onko työskentelyalueella rakenteiden sisälle asennettuja sähköjohtoja tai kaasu- ja vesiputkia. Tuotteen ulkopinnan metalliosista saatat saada sähköiskun tai aiheuttaa räjähdyksen, jos vahingossa osut sähköjohtoon, kaasuputkeen tai vesiputkeen.

Sähkötökalujen käyttö ja hoito

- ▶ Kytke tuote heti pois päältä, jos terä jumittuu. Tuote saattaa pyrkiä liikkumaan sivusuunnassa.
- ▶ Odota, että tuote on täysin pysähtynyt, ennen kuin lasket sen kädestäsi.

2.4 Akkujen käyttö ja hoito

- ▶ **Noudata seuraavia turvallisuusohjeita, jotka varmistavat litiumioniakkujen turvallisen käsittelyn ja käytön.** Ohjeiden noudattamatta jättäminen saattaa aiheuttaa ihoärsytystä, vakavia syöpymisvammoja, kemiallisia palovammoja, tulipalon ja/tai räjähdyksen.
- ▶ Käytä vain akkua, joka on teknisesti moitteettomassa kunnossa.
- ▶ Käsittele akkuja huolellisesti, jotta vältät vauriot ja terveydelle vakavasti vaarallisten nesteiden vuotamisen ulos!
- ▶ Akkuja ei saa mitenkään muuttaa tai manipuloida!
- ▶ Akkuja ei saa avata, puristaa, kuumentaa lämpötilaan yli 80 °C (176 °F) tai polttaa.
- ▶ Älä käytä tai lataa akkua, johon on kohdistunut isku tai joka muutoin on vaurioitunut. Tarkasta akustasi vaurioiden merkit säännöllisin välein.
- ▶ Älä koskaan käytä kierrätettyä tai korjattua akkua.
- ▶ Älä käytä akkua tai akkukäyttöistä sähkötyökalua koskaan lyöntityökaluna.



- ▶ Älä koskaan altista akkua suoralle auringonpaisteelle, korkealle lämpötilalle, kipinöille tai avotulelle. Siitä voi aiheutua räjähdys.
- ▶ Älä kosketa akun napoja sormilla, työkaluilla, koruilla tai muilla metallisilla esineillä. Seurauksena akku voi vaurioitua ja aiheuttaa aineellisia vahinkoja tai vammoja.
- ▶ Älä altista akkua sateelle, kosteudelle tai nesteille. Sisään tunkeutunut kosteus voi aiheuttaa oikosulun, sähköiskun, palovammoja tai räjähdyksen.
- ▶ Käytä aina vain tälle akkutyypille tarkoitettuja latureita ja sähkötyökaluja. Noudata niiden käyttöohjeissa annettuja ohjeita.
- ▶ Älä käytä tai varastoi akkua räjähdysvaarallisessa ympäristössä.
- ▶ Jos akku on liian kuuma koskea, se saattaa olla vaurioitunut. Laita akku palovaarattomaan paikkaan ja riittävän etäälle syttyvistä materiaaleista. Anna akun jäähtyä. Jos akku vielä tunnin kuluttuakin on liian kuuma koskea, akku on vaurioitunut. Ota yhteys **Hilti**-huoltoon tai lue dokumentti "Hilti-litiumioniakkujen turvallisuuteen ja käyttöön liittyviä ohjeita".

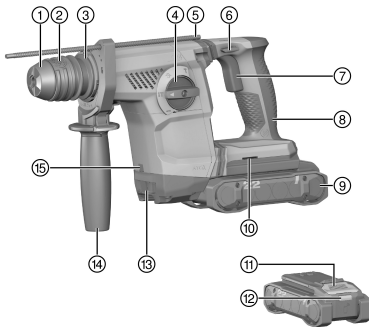


Noudata erityisiä ohjeita ja direktiivejä, jotka koskevat litiumioniakkujen kuljettamista, varastointia ja käyttöä. → Sivu 61

Lue **Hilti**-litiumioniakkujen turvallisuuteen ja käyttöön liittyvät ohjeet, jotka saat skannaamalla tämän käyttöohjeen lopussa olevan QR-koodin.

3 Kuvaus

3.1 Tuoteyhteenveto



- ① Pölysuojus
- ② Työkaluterän lukitsin / istukka
- ③ Pölynkeruuvärvästyksen liitäntä
- ④ Toimintatavan valintakytkin
- ⑤ Syvyysrajoitin
- ⑥ Suunnanvaihtokytkin ja kuljetusvarmistin
- ⑦ Käyttökytkin
- ⑧ Käsikahva
- ⑨ Akku
- ⑩ Lisävarusteiden kiinnitysaukko
- ⑪ Akun lukituksen vapautuspainike
- ⑫ Akun tilanäyttö
- ⑬ Liitäntä pölynpoistovärvästykselle TE DRS-4/6 (01)
- ⑭ Sivukahva
- ⑮ Työaluevalo (LED)

3.2 Tarkoituksenmukainen käyttö

Kuvattu tuote on akkukäyttöinen poravasara SDS-Plus. Se on tarkoitettu poraamiseen teräkseen, puuhun, tiileen ja muuraukseen, poraamiseen iskulla betoniin, tiileen ja muuraukseen sekä ruuvien kiertämiseen. Tuotetta voidaan lisäksi käyttää tiilen ja muurauksen kevyisiin piikkaustöihin ja betonin viimeistelytyöihin.

- Käytä tässä tuotteessa vain tyyppisarjan B 22 **Hilti** Nuron -litiumioniakkuja. Parhaan tehon saavuttamiseksi **Hilti** suosittelee, että tässä tuotteessa käytetään vain tämän käyttöohjeen lopussa olevassa taulukossa mainittuja akkuja.
- Käytä näiden akkujen lataamiseen vain tämän käyttöohjeen lopussa olevassa taulukossa mainittujen tyyppisarjojen **Hilti**-latureita.

3.3 Toimituksen sisältö

Poravasara SDS-Plus, sivukahva, syvyysrajoitin, rasvaa, käyttöohje.

Pölynpoistovärvästyksen TE DRS-4/6 (01) on lisävaruste töiden pölyttömään tekemiseen.

Muita tälle tuotteelle hyväksytyjä järjestelmätuotteita löydät **Hilti Store** -liikkeestä tai nettiosoitteesta: www.hilti.group



3.4 Litiumioniakun näyttö

Hilti Nuron -litiumioniakuissa on lataustilan, vikailmoitusten ja akun kunnan näyttö.

3.4.1 Lataustilan ja vikailmoitusten näyttö



Loukkaantumisvaara akun putoamisesta aiheutuva!

- Varmista, että akku on kunnolla lukittunut tuotteeseen, jos akun paikalleen laittamisen jälkeen olet painanut lukituksen vapautuspainiketta.

Jotta jokin seuraavista näytöistä voi tulla näyttöön, paina akun lukituksen vapautuspainiketta lyhyesti.

Lataustila ja mahdolliset häiriöt pysyvät näytössä niin kauan, kuin liitetty tuote on päälle kytkettyinä.

Tila	Merkitys
Neljä (4) LED-merkkivaloa palaa jatkuvasti vihreänä	Lataustila: 100...71 %
Kolme (3) LED-merkkivaloa palaa jatkuvasti vihreänä	Lataustila: 70...51 %
Kaksi (2) LED-merkkivaloa palaa jatkuvasti vihreänä	Lataustila: 50...26 %
Yksi (1) LED palaa jatkuvasti vihreänä	Lataustila: 25...10 %
Yksi (1) LED-merkkivalo vilkkuu hitaasti vihreänä	Lataustila: < 10 %
Yksi (1) LED-merkkivalo vilkkuu nopeasti vihreänä	Litiumioniakku on täysin tyhjentynyt. Lataa akku. Jos LED-merkkivalo akun lataamisen jälkeenkin vielä vilkkuu nopeasti, ota yhteys Hilti -huoltoon.
Yksi (1) LED-merkkivalo vilkkuu nopeasti keltaisena	Litiumioniakku tai siihen liitetty tuote on ylikuormitunut, liian kuuma tai liian kylmä tai jokin muu vika on olemassa. Saata tuote ja akku suositeltuun käyttölämpötilaan ja älä ylikuormita tuotetta sitä käyttäessäsi. Jos viesti edelleen on näytössä, ota yhteys Hilti -huoltoon.
Yksi (1) LED-merkkivalo palaa keltaisena	Litiumioniakku ja siihen liitetty tuote eivät ole yhteensopivat. Ota yhteys Hilti -huoltoon.
Yksi (1) LED-merkkivalo vilkkuu nopeasti punaisena	Litiumioniakku on estetty eikä sitä voida käyttää. Ota yhteys Hilti -huoltoon.

3.4.2 Akun kunnan näyttö

Litiumioniakun kunnan voit hakea näyttöön painamalla akun lukituksen vapautuspainiketta yli kolmen sekunnin ajan. Järjestelmä tunnistaa akun mahdollisen virheellisen toiminnan väärin käyttämisen seurauksena, esimerkiksi akku päässyt putoamaan, akussa reikä, akussa ulkoisen lämmön aiheuttama vaurio jne.

Tila	Merkitys
Kaikki LED-merkkivalot syttyvät juoksevasti ja sitten yksi (1) LED-merkkivalo jää palamaan vihreänä.	Accun käyttämistä voidaan jatkaa.
Kaikki LED-merkkivalot syttyvät juoksevasti ja sitten yksi (1) LED-merkkivalo vilkkuu nopeasti keltaisena.	Kyselyä akun kunnosta ei saatu tehtyä loppuun saakka. Toista tämä vaihe tai ota yhteys Hilti -huoltoon.
Kaikki LED-merkkivalot syttyvät juoksevasti ja sitten yksi (1) LED-merkkivalo jää palamaan punaisena.	Jos liitettyä tuotetta voi edelleen käyttää, jäljellä oleva akkukapasiteetti on alle 50 %. Jos liitettyä tuotetta ei enää voi käyttää, akku on tullut käyttöikänsä päähän ja vaihdettava. Ota yhteys Hilti -huoltoon.

4 Tekniset tiedot

Paino EPTA Procedure 01 mukaan ilman akkua	2,84 kg
Yhden iskun energia EPTA 05 mukaan	2,6 J
Poraaminen betoniin / tiileen (poraaminen iskulla)	4 mm ... 28 mm



Ympäristön lämpötila käytettäessä	-17 °C ... 60 °C
Varastointilämpötila	-20 °C ... 70 °C

4.1 Akku

Akkutoimintajännite	21,6 V
Akun paino	Ks. tämän käyttöohjeen loppu
Ympäristön lämpötila käytettäessä	-17 °C ... 60 °C
Varastointilämpötila	-20 °C ... 40 °C
Akun lämpötila lataamisen alkaessa	-10 °C ... 45 °C

4.2 Melutiedot ja värinäarvot EN 60745 mukaan

Tässä käyttöohjeessa annetut äänenpaine- ja värinäarvot on mitattu standardoitujen mittausmenetelmien mukaisesti, ja näitä arvoja voidaan käyttää sähkötyökalujen vertailussa. Ne soveltuvat myös altistumisten tilapäiseen arviointiin. Annetut arvot koskevat sähkötyökalun pääasiallisia käyttötarkoituksia. Jos sähkötyökalua kuitenkin käytetään muihin tarkoituksiin, poikkeavia työkaluja tai teriä käyttäen tai puutteellisesti huollettuna, arvot voivat poiketa tässä ilmoitetuista. Tämä saattaa merkittävästi lisätä altistumista koko työskentelyajan aikana. Altistumisia tarkasti arvioitaessa on otettava huomioon myös ne ajat, jolloin kone on kytketty pois päältä tai jolloin kone on päällä, mutta sillä ei tehdä varsinaista työtä. Tämä saattaa merkittävästi vähentää altistumista koko työskentelyajan aikana. Käyttäjän suojaamiseksi melun ja/tai värinän vaikutukselta ryhdy tarpeellisiin turvatoimenpiteisiin kuten: Sähkötyökalun ja siihen kiinnitettävien työkaluterien huolto, käsien lämpimänä pitäminen, työtehtävien organisointi.

Melupäästöarvot

Melupäästön äänenpainetaso (L_{pA})	91 dB(A)
Äänenpainetason epävarmuus (K_{pA})	3 dB(A)
Äänitehotaso (L_{WA})	102 dB(A)
Äänitehotason epävarmuus (K_{WA})	3 dB(A)

Tärinän kokonaisarvot

		TE 6-22	TE 6-22 + TE DRS-46 (01)
Poraaminen iskulla betoniin ($a_{h, HD}$)	B 22-85	10,7 m/s ²	10,6 m/s ²
	B 22-170	10,4 m/s ²	11,3 m/s ²
Taltta	B 22-85	6,3 m/s ²	5,5 m/s ²
	B 22-170	6,3 m/s ²	6,0 m/s ²
Epävarmuus (K)		1,5 m/s ²	1,5 m/s ²

5 Työkohteen valmistelu



VAARA

Loukkaantumisvaara vahingossa käynnistymisen seurauksena!

- ▶ Varmista ennen akun kiinnittämistä, että tuote on kytketty pois päältä.
- ▶ Irrota akku, ennen kuin muutat koneen säätöjä tai vaihdat lisävarusteita.

Noudata tässä dokumentaatiossa ja tuotteessa olevia turvallisuus- ja varoitushuomautuksia.

5.1 Akun lataus

1. Ennen lataamista lue laturin käyttöohje.
2. Varmista, että liittimet akussa ja laturissa ovat puhtaat ja kuivat.
3. Lataa akku hyväksytyllä laturilla. → Sivu 56



5.2 Akun kiinnitys

VAARA

Loukkaantumisvaara akun oikosulun tai putoamisen seurauksena!

- ▶ Ennen akun paikalleen laittamista varmista, ettei akun liittimissä akussa ja tuotteessa ole vieraita esineitä.
 - ▶ Varmista, että akku aina lukittuu kunnolla paikalleen.
-
1. Lataa akku täyteen ennen ensimmäistä käyttökertaa.
 2. Työnnä akku tuotteeseen siten, että akku kuultavasti lukittuu paikalleen.
 3. Tarkasta, että akku on kunnolla kiinni.

5.3 Akun irrotus

1. Paina akun lukituksen vapautuspainiketta.
2. Vedä akku irti tuotteesta.

5.4 Sivukahvan kiinnitys

1. Kierrä kahvaa sivukahvan kiinnittimen (kiinnityspanta) avaamiseksi.
2. Työnnä kiinnitin (kiinnityspanta) edestäpäin istukan päälle sille tarkoitettuun uraan saakka.
3. Aseta sivukahva haluamaasi asentoon.
4. Kierrä kahvaa sivukahvan kiinnittimen (kiinnityspanta) kiinni kiristämiseksi.

5.5 Työkaluterän kiinnitys



Rasvaa työkaluterän istukkapää kevyesti.

Käytä vain alkuperäistä Hilti-rasvaa. Vääräntyylinen rasva voi vaurioittaa tuotetta.

1. Laita työkaluterä istukkaan ja kierrä työkaluterää hiukan painaen siten, että se kuultavasti lukittuu kiinni.
2. Tarkasta työkaluterän kunnollinen lukittuminen vetämällä työkaluterästä.
 - ▶ Tuote on toimintavalmis.

5.6 Työkaluterän irrotus

VAROITUS

Työkaluterän aiheuttama loukkaantumisvaara! Työkaluterä voi olla kuuma tai teräväreunainen.

- ▶ Käytä suojakäsineitä, kun vaihdat työkaluterää.

1. Vedä työkaluterän lukitsin taaksepäin vasteeseen saakka.
2. Irrota työkaluterä.

5.7 Syvyysrajoittimen kiinnitys ja säätö

1. Paina lukituksen vapautuspainiketta sivukahvassa ja pidä painettuna.
2. Ohjaa syvyysrajoitin edestäpäin sille tarkoitettuun aukkoon sivukahvassa. Säädä syvyysrajoitin haluamaasi poraussyvyyyteen.
3. Vapauta lukituksen vapautuspainike.
 - ▶ Syvyysrajoitin on lukittu.

5.8 Putoamissuoja

VAARA

Loukkaantumisvaara työkalun ja/tai lisävarusteen putoamisvaaran vuoksi!

- ▶ Käytä vain tuotteellesi suositeltua Hilti-työkaluliinaa.
- ▶ Aina ennen käyttöä tarkasta työkaluliinan kiinnityspisteen mahdolliset vauriot.



Noudata maassasi voimassa olevia korkealla tehtävien töiden määräyksiä ja ohjeita.



Käytä tämän tuotteen putoamissuojana ainoastaan **Hilti**-putoamisvarmistimen ja **Hilti**-työkaluiliinan #2261970 yhdistelmää.

- ▶ Kiinnitä putoamisvarmistin lisävarusteelle tarkoitettuihin kiinnitysaukoihin. Tarkasta kunnollinen kiinnitys.
- ▶ Kiinnitä toinen karbiinikoukku putoamisvarmistuksen työkaluliinaan ja toinen karbiinikoukku kantavaan rakenteeseen. Tarkasta kummankin karbiinikoukun kunnollinen kiinnitys.



Noudata **Hilti**-putoamisvarmistimen ja **Hilti**-työkaluiliinan käyttöohjeita.

6 Käyttö

Noudata tässä dokumentaatioissa ja tuotteessa olevia turvallisuus- ja varoitushuomautuksia.

6.1 Kytkeminen päälle ja pois päältä

1. Tuotteen kytket päälle painamalla käyttökytkintä.
 - ▶ Kierrosluku säätty portaattomasti käyttökytkimen painamissyvyyden mukaisesti.
2. Tuotteen kytket pois päältä vapauttamalla käyttökytkimen.

6.2 Pyörimissuunta

- ▶ Valitse pyörimissuunta.
- ▶ Kytkin lukittuu tähän asentoon.

6.3 Toimintatavan valintakytkin

Aseta toimintatapavalitsin haluamasi toiminnon asentoon.



Vaurioitusvaara! Toimintatapavalitsinta ei saa käyttää koneen käydessä.

Poraus ilman iskua

- Aseta toimintatapavalitsin asentoon .

Poraaminen iskulla

- Aseta toimintatapavalitsin asentoon .

Piikkausterän kohdistaminen

- Aseta toimintatapavalitsin asentoon .

Piikkaaminen

- Aseta toimintatapavalitsin asentoon .

7 Vaihtoehtoinen lisävaruste

7.1 Pölynpoistovarustus TE DRS-4/6 (01)

Pölynpoistovarustus TE DRS-4/6 (01) on -poravasaraan SDS-Plus tarkoitettu lisävaruste. Se kerää syntyvästä pölystä suurimman osan, ja se on nopea ja helppo kiinnittää poravasaraan SDS-Plus. Pölynpoistovarustuksessa on imevä tuuletin. Sitä käyttää erillinen moottori. Kun poravasara SDS-Plus kytketään päälle, moduuli saa virtansa poravasaran SDS-Plus akusta.

Tämä pölynpoistovarustus ei sovellu metallin ja puun työstössä käytettäväksi.

Edellytykset: TE DRS-4/6 (01) OSHA

TE DRS-4/6 (01) OSHA täyttää direktiivin OSHA 1926.1153 Table 1 vaatimukset. Siinä on varusteena suodattimen puhdistusmekanismi.

7.2 Pölynkeruumoduulin kiinnitys pään yläpuolelle tehtäviä töitä varten

1. Kiinnitä työkaluterä. → Sivu 59
2. Työnnä pölynkeruumoduuli työkaluistukan päälle ja aseta se uriin poravasaran SDS-Plus kotelossa.
3. Lukitse pölynkeruumoduuli kiertämällä sitä vastapäivään.



8 Huolto, hoito ja kunnossapito

VAARA

Loukkaantumiswaara jos akku paikallaan !

- ▶ Irrota akku aina ennen hoito- ja kunnostustöitä!

Tuotteen hoito

- Puhdista pinttynyt lika varovasti.
- Jos tuotteessa on jäähdytysilmarao, puhdista ne varovasti kuivalla ja pehmeällä harjalla.
- Puhdista kotelon pinnat vain kevyesti kostutetulla kankaalla. Älä käytä silikonia sisältäviä hoitoaineita, sillä ne saattavat vaurioittaa muoviosia.
- Käytä tuotteen liittimien puhdistamiseen vain puhdasta ja kuivaa kangaspalaa.

Litiumioniakkujen hoito

- Älä koskaan käytä akkua, jos sen jäähdytysilmarao ovat tukkeutuneet. Puhdista jäähdytysilmarao varovasti kuivalla, pehmeällä harjalla.
- Vältä altistamasta akkua tarpeettomasti pölylle tai lialle. Älä koskaan altista akkua suurelle kosteudelle (esimerkiksi upota veteen tai jätä sateeseen).
Jos akku on pahoin kastunut, käsittele sitä kuin vaurioitunutta akkua. Eristä akku palamattomasta materiaalista valmistettuun astiaan ja ota yhteys **Hilti**-huoltoon.
- Pidä akku öljyttömänä ja rasvattomana. Älä anna pölyn ja lian kertyä akun pintaan. Puhdista akku kuivalla, pehmeällä harjalla tai puhtaalla, kuivalla kankaalla. Älä käytä silikonia sisältäviä hoitoaineita, sillä ne saattavat vaurioittaa muoviosia.
Älä kosketa akun liittimiä äläkä poista akun liittimiin tehtaalla laitettua rasvaa.
- Puhdista kotelon pinnat vain kevyesti kostutetulla kankaalla. Älä käytä silikonia sisältäviä hoitoaineita, sillä ne saattavat vaurioittaa muoviosia.

Kunnossapito

- Tarkasta säännöllisin välein kaikkien näkyvien osien mahdolliset vauriot ja käyttöelementtien moitteeton toiminta.
- Jos havaitset vaurioita ja/tai toimintahäiriöitä, älä käytä tuotetta. Korjauta tuote viipymättä **Hilti**-huollossa.
- Hoito- ja kunnostustöiden jälkeen kiinnitä kaikki suojalaitteet takaisin ja tarkasta niiden moitteeton toiminta.



Käyttöturvallisuuden varmistamiseksi käytä vain alkuperäisiä varaosia ja käyttömateriaaleja. **Hiltin** tälle tuotteelle hyväksymiä varaosia, kulutusmateriaaleja ja lisävarusteita löydät **Hilti Store** -liikkeestä tai osoitteesta: www.hilti.group

8.1 Pölysuojuksen puhdistus

- ▶ Puhdista istukan pölysuojus säännöllisin välein puhtaalla, kuivalla kankaalla.
- ▶ Pyyhi tiivistehuuli varovasti puhtaaksi ja rasvaa se kevyesti **Hilti**-rasvalla.
- ▶ Pölysuojus on ehdottomasti vaihdettava, jos sen tiivistehuuli on vaurioitunut.

9 Akkukäyttöisten työkalujen ja akkujen kuljetus ja varastointi

Kuljettaminen

VAROITUS

Käynnistyminen vahingossa kuljetuksen aikana !

- ▶ Kuljeta tuotteesi aina akku irrotettuna!
- ▶ Irrota akku/akut.
- ▶ Älä koskaan kuljeta akkuja irrallaan muiden tavaroiden joukossa. Akut on suojattava kuljetuksen ajaksi kovilta iskulta ja värinäältä, ja ne on eristettävä kaikenlaisista sähköä johtavista materiaaleista ja muista akuista, jotta niiden navat eivät pääse kosketuksiin muiden akkujen napojen kanssa. Seurauksena saattaisi olla oikosulku. **Noudata maakohtaisia akkujen kuljetusmääräyksiä.**
- ▶ Akkuja ei saa koskaan lähettää postitse. Käännä kuljetusyrityksen puoleen, kun haluat lähettää vaurioittomia akkuja.
- ▶ Tarkasta tuotteen ja akun mahdolliset vauriot aina ennen käyttöä sekä ennen pitkää kuljetusta ja sen jälkeen.



Varastointi

VAARA
Viallinen tai vuotava akku voi aiheuttaa vaurioita !

- ▶ Varastoi tuotteesi aina akku irrotettuna!
-
- ▶ Varastoi tuote ja akut viileässä ja kuivassa paikassa. Ota teknisissä tiedoissa annetut lämpötilarajat huomioon.
 - ▶ Akkuja ei saa säilyttää laturissa. Irrota akku laturista aina latauksen päätyttyä.
 - ▶ Älä koskaan varastoi akkuja auringonpaisteessa, lämmönlähteen päällä tai ikkunan vieressä.
 - ▶ Varastoi tuote ja akut lasten ja asiattomien henkilöiden ulottumattomissa.
 - ▶ Tarkasta tuotteen ja akun mahdolliset vauriot aina ennen käyttöä sekä ennen pitkää varastointia ja sen jälkeen.

10 Apua häiriötilanteisiin

Kaikissa häiriötilanteissa tarkkaile lataustilan ja vikojen näytön merkkivaloja. Ks. kappale **Litiumioniakun merkkivalot**.

Häiriöissä, joita ei ole kuvattu tässä taulukossa tai joita et itse pysty poistamaan, ota yhteys **Hilti**-huoltoon.

Häiriö	Mahdollinen syy	Ratkaisu
Käyttökytkintä ei saa painetta tai se on lukittunut.	Suunnanvaihtokytkin keskiasennossa.	▶ Paina suunnanvaihtokytkin vasemmalle tai oikealle.
Kara ei pyöri.	Akku ei kunnolla kiinni.	▶ Kiinnitä akku siten, että se kuultavasti lukittuu paikalleen.
	Suunnanvaihtokytkin keskiasennossa.	▶ Paina suunnanvaihtokytkin vasemmalle tai oikealle.
	Toimintatapavalitsin ei ole lukittunut tai toimintatapavalitsin on piikkaamisen asennossa T tai piikkausterän kohdistamisen asennossa ↺ .	▶ Aseta kone sammutettuna toimintatapavalitsin ilman iskua poraamisen asentoon ↻ tai iskulla poraamisen asentoon ↻T .
Ei iskua.	Tuote liian kylmä.	▶ Aseta tuote pintaa vasten ja anna koneen käydä hetki tyhjäkäyntiä. Tarvittaessa toista tämä, kunnes iskumekanismi toimii.
	Toimintatapavalitsin ilman iskua poraamisen asennossa ↻ .	▶ Aseta toimintatapavalitsin iskulla poraamisen asentoon ↻T .
Akku tyhjenee tavallista nopeammin.	Akun kunto ei optimaalinen.	▶ Tarkasta akun kunto. → Sivü 57
Akku ei lukitu paikalleen selvästi naksauttaen.	Akun korvake likaantunut.	▶ Puhdista salpanokka ja kiinnitä akku uudelleen paikalleen.
Akun LED-merkkivalot eivät näytä mitään	Akku rikki	▶ Ota yhteys Hilti -huoltoon.
Tuote tai akku kuumenee voimakkaasti.	Sähköinen vika	▶ Kytke tuote heti pois päältä. Irrota akku ja tarkkaile sitä. Anna sen jäähtyä. Ota yhteys Hilti -huoltoon.
Työkaluterää ei saa vapautettua lukituksesta.	Istukkaa ei ole vedetty kunnolla taakse.	▶ Vedä työkaluterän lukitsin taaksepäin vasteeseen saakka ja irrota työkaluterä.
Työkaluterä ei poraa.	Tuote kytketty pyörimään vasemmalle.	▶ Kytke suunnanvaihtokytkimellä pyörimissuunta oikealle.
	Toimintatapavalitsin ilman iskua poraamisen asennossa ↻ .	▶ Aseta toimintatapavalitsin iskulla poraamisen asentoon ↻T .



11 Hävittäminen

VAARA

Määräystenvastaisten hävittäminen aiheuttaa loukkaantumisvaaran! Ulos vuotavat kaasut tai nesteet vaarantavat terveyden.

- ▶ Älä lähetä vaurioituneita akkuja!
- ▶ Peitä liitännät sähköä johtamattomalla materiaaalilla oikosulkujen välttämiseksi.
- ▶ Hävitä akut siten, etteivät ne voi joutua lasten käsiin.
- ▶ Hävitä akku viemällä se **Hilti Store** -liikkeeseen tai käänny vastuullisen jätteenkäsittely-yrityksen puoleen.

Hilti-tuotteet on pääosin valmistettu kierrätyskelpoisista materiaaleista. Kierrätyksen edellytys on materiaalien asianmukainen lajittelu. Useissa maissa **Hilti** ottaa vanhat koneet ja laitteet vastaan kierrätystä ja hävitystä varten. Lisätietoja saat **Hilti**-huollosta tai -edustajalta.



- ▶ Älä hävitä sähkötyökaluja, elektronisia laitteita ja akkuja tavallisen sekajätteen mukana!

12 Valmistajan myöntämä takuu

- ▶ Jos sinulla on takuuehtoihin liittyviä kysymyksiä, ota yhteys paikalliseen **Hilti**-edustajaan.

13 Lisätietoja

Lisätietoa käytöstä, tekniikasta, ympäristöstä ja kierrätyksestä saat seuraavasta linkistä: qr.hilti.com/manual?id=2264935&id=2264937

Sama linkki on myös QR-koodina dokumentaation lopussa.

Originaalkasutusjuhend

1 Andmed dokumentatsiooni kohta

1.1 Kasutusjuhend

- Enne seadme kasutuselevõttu lugege see kasutusjuhend läbi. See on ohutu kasutamise ja tõrgeteta töö eeldus.
- Järgige kasutusjuhendis esitatud ja tootele märgitud ohutusnõudeid ja hoiatusi.
- Hoidke kasutusjuhend alati seadme juures ja toote edasiandmisel teistele isikutele andke üle ka kasutusjuhend.

1.2 Märkide selgitus

1.2.1 Hoiatused

Hoiatused annavad märku toote kasutamisel tekkivatest ohtudest. Kasutatakse järgmisi märksõnu:

OHT

OHT !

- ▶ Võimalikud ohtlikud olukorrad, mis võivad põhjustada kasutaja raskeid kehavigastusi või hukkamist.

HOIATUS

HOIATUS !

- ▶ Võimalik ohtlik olukord, mis võib põhjustada kasutaja raskeid kehavigastusi või hukkamist.

ETTEVAATUST

ETTEVAATUST !

- ▶ Võimalikud ohtlikud olukorrad, mis võivad põhjustada kehavigastusi või varalist kahju.



1.2.2 Sümbolid kasutusjuhendis

Käesolevas kasutusjuhendis kasutatakse järgmisi sümboleid:

	Järgige kasutusjuhendit
	Soovitused seadme kasutamiseks ja muu kasulik teave
	Taaskasutatavate materjalide käsitsemine
	Elektrilisi tööriistu ja akusid ei tohi visata olmejäätmete hulka
	Hilti Li-Ion-aku
	Hilti Laadimisseade

1.2.3 Joonistel kasutatud sümbolid

Joonistel kasutatakse järgmisi sümboleid.

	Numbrid viitavad vastavatele joonistele kasutusjuhendi juhendi alguses.
3	Numeratsioon kajastab töötappide järjekorda pildi kujul ja võib tekstis kirjeldatud töötappidest kõrvale kalduda.
	Positsiooninumbreid kasutatakse joonisel Ülevaade ja need viitavad selgituste numbritele lõigus Toote ülevaade .
	See märk näitab, et toote käsitsemisel tuleb olla eriti tähelepanelik.

1.3 Tootepõhised sümbolid

1.3.1 Tootel olevad sümbolid

Tootel võib kasutada alljärgnevaid sümboleid:

	Toote toetab NFC-tehnoloogiat, mis ühildub iOS- ja Android-platvormidega.
	Löögita puurimine
	Löökpuurimine
	Meisli positsioneerimine
	Meiseldamine
	Parem/vasak käik
n_0	Nimipöörlemiskiirus tühikäigul
	Alalisvool
Li-Ion	Liitumioonaku
	Ärge kasutage akut kunagi löögiriistana.
	Ärge laske akut kunagi maha kukkuda. Ärge kasutage akut, mis on saanud löögi või on muul moel kahjustatud.

1.4 Tooteinfo

tooted on ette nähtud professionaalsele kasutajale ja neid tohivad käsitseda, hooldada ja korras hoida ainult volitatud ja asjaomase väljaõppega isikud. Nimetatud personal peab olema teadlik kõikidest kaasnevatest ohtudest. Seade ja sellega ühendatavad abivahendid võivad osutada ohtlikuks, kui neid ei kasutata nõuetekohaselt või kui nendega töötab vastava väljaõppeta isik.



Tüübitähis ja seerianumber on tüübisildil.

- ▶ Kandke seerianumber järgmise tabelisse. Andmeid toote kohta vajate meie esindusele või hooldekeskusele päringute esitamisel.

Tooteandmed

Puurvasar SDS-Plus	TE 6-22
Generatsioon	05
Seerianumber	

1.5 Vastavusdeklaratsioon

Seadme tootja kinnitab ainuvastutajana, et käesolevas kasutusjuhendis kirjeldatud seade vastab kehtivate õigusaktide nõuetele ja kehtivatele standarditele. Vastavusdeklaratsiooni koopia leiате käesoleva kasutusjuhendi lõpust.

Tehnilised dokumendid on saadaval:

Hilti Entwicklungsgesellschaft mbH | Zulassung Geräte | Hiltistraße 6 | 86916 Kaufering, DE

2 Ohutus

2.1 Üldised ohutusnõuded elektriliste tööriistade kasutamisel

⚠ HOIATUS! Lugege kõiki selle elektrilise tööriista juurde kuuluvaid ohutusjuhiseid, nõuandeid, jooniseid ja tehnilisi andmeid! Järgmiste juhiste eiramise tagajärg võib olla elektrilöökk, tulekahju ja/või rasked vigastused.

Hoidke kõik ohutusnõuded ja juhised edaspidiseks kasutamiseks alles.

Ohutusjuhistes kasutatud mõiste "elektriline tööriist" käib võrgutoitega (toitejuhtmega) elektriliste tööriistade või akutoitega (toitejuhtmeta) elektriliste tööriistade kohta.

Ohutus töökohal

- ▶ **Hoidke oma töökoht puhas ja valgustage seda korralikult.** Korrastamata ja valgustamata töökoht võib põhjustada õnnetusi.
- ▶ **Ärge kasutage elektrilist tööriista plahvatusohtlikus keskkonnas, kus leidub tuleohtlikke vedelikke, gaase või tolmu.** Elektrilistest tööriistadest lööb sädemeid, mis võivad tolmu või auru süüdata.
- ▶ **Hoidke lapsed ja kõik teised töökohast eemal, kui kasutate elektrilist tööriista!** Kui teie tähelepanu juhitakse kõrvale, võib seade teie kontrolli alt väljuda.

Elektriohutus

- ▶ **Elektrilise tööriista pistik peab sobima pistikupessa. Pistiku juures ei tohi teha mingeid muudatusi. Kaitsemaandusega seadmete puhul ei tohi kasutada adapterpistikuid.** Muutmata pistikud ja sobivad pistikupesad vähendavad elektrilöögiohtu.
- ▶ **Vältige keha kontakti maandatud pindadega (nt toru, radiaator, pliit, külmik).** Kui teie keha on maandatud, on elektrilöögi oht suurem.
- ▶ **Kaitske elektrilist tööriista vihma ja niiskuse eest.** Kui elektrilise tööriista sisemusse satub vett, suurendab see elektrilöögiohtu.
- ▶ **Ärge kasutage ühenduskaablit elektrilise tööriista kandmiseks, riputamiseks ega pistiku stepslist väljatõmbamiseks!** Hoidke ühenduskaablit eemal kuumusest, õldest, teravatest servadest ja liikuvatest osadest. Kahjustatud või keerdu ühenduskaablid suurendavad elektrilöögiohtu.
- ▶ **Kui töotate elektrilise tööriistaga vabas õhus, kasutage ainult selliseid pikendusjuhtmeid, mida tohib kasutada ka välitingimustes.** Välitingimustes sobiva pikendusjuhtme kasutamine vähendab elektrilöögiohtu.
- ▶ **Kui seadmega töötamine niiskes keskkonnas on vältimatu, kasutage rikkevoolu kaitseülilülit.** Rikkevoolu kaitseülilülit kasutamine vähendab elektrilöögiohtu.

Inimeste ohutus

- ▶ **Olge tähelepanelik, jälgige, mida teete, ja toimige elektrilise tööriistaga töötades kaalutletult. Ärge töötage elektrilise tööriistaga, kui olete väsinud või alkoholi, narkootikumide või ravimite mõju all!** Hetkeline tähelepanematus elektrilise tööriista kasutamisel võib põhjustada raskeid kehavigastusi ja varalist kahju.
- ▶ **Kandke isiklikke kaitsevahendeid ja alati kaitseprille.** Isiklike kaitsevahendite, nt tolmu maski, libisemiskindlate turvajalatsite, kaitsekiivri või kuulmiskaitsevahendite kandmine (sõltuvalt elektrilise tööriista tüübist ja kasutusalasest) vähendab vigastusohu.
- ▶ **Vältige elektrilise tööriista soovimatut käivitamist!** Enne elektrilise tööriista ühendamist vooluvõrku ja/või elektrilise tööriista auka paigaldamist, tööriista elestõstmist ja kandmist veenduge, et



elektriline tööriist on välja lülitatud! Kui hoiate elektrilise tööriista kandmisel sõrme lülitil või ühendate vooluvõrku sisselülitatud tööriista, võib juhtuda õnnetus.

- ▶ **Enne elektrilise tööriista sisselülitamist eemaldage selle küljest seade- ja mutrivõtmed.** Elektrilise tööriista pöörleva osa küljes olev seade- või mutrivõti võib põhjustada vigastusi.
- ▶ **Vältige ebataivalist töösasendit! Võtke stabiilne töösasend ja säilitage alati tasakaal.** Nii saate elektrilist tööriista ootamatutes olukordades paremini kontrollida.
- ▶ **Kandke sobivat rõivastust. Ärge kandke laiu riideid ega ehteid! Hoidke juuksed, rõivad ja kindad seadme liikuvatest osadest eemal.** Lotendavad riided, ehted ja pikad juuksed võivad sattuda seadme liikuvate osade vahele.
- ▶ **Kui elektrilise tööriista külge on võimalik paigaldada tolmuemaldus- ja kogumiseseadiseid, veenduge, et need on tööriistaga ühendatud ja et neid kasutatakse nõuetekohaselt.** Tolmuemalduseseadise kasutamine võib vähendada tolmust tingitud ohte.
- ▶ **Ärge laske tekkida petlikul turvatundel ega eirake elektrilise tööriista ohutusreegleid isegi siis, kui olete pärast paljukordset kasutamist elektrilise tööriistaga harjunud.** Tähelepanematu käsitsemine võib sekundi murdosa jooksul kaasa tuua raskeid vigastusi.

Elektrilise tööriista kasutamine ja käsitsemine

- ▶ **Ärge koormake seadet üle! Kasutage konkreetseks tööks sobivat elektrilist tööriista.** See töötab ettenähtud jõudluspiirides tõhusamalt ja ohutumalt.
- ▶ **Ärge kasutage elektrilist tööriista, mille lülitit on rikkis!** Elektriline tööriist, mida ei saa enam lülitist korralikult sisse ja välja lülitada, on ohtlik ning tuleb viia parandusse.
- ▶ **Tõmmake enne seadme mis tahes seadetöid, tarvikute vahetamist ja seadme hoiuolepanekut pistik pistikupesast välja ja/või eemaldage äravõetav aku.** See ettevaatusabinõu hoiab ära seadme soovimatu käivitumise.
- ▶ **Kasutusvälisel ajal hoidke elektrilist tööriista lastele kättesaamatus kohas. Ärge laske seadet kasutada isikutel, kes seadme tööpõhimõtet ei tunne või ei ole lugenud käesolevaid kasutusjuhendeid.** Asjatundmatute isikute käes on elektrilised tööriistad ohtlikud.
- ▶ **Hooldage elektrilisi tööriistu ja tarvikuid korralikult. Kontrollige, kas liikuvad osad töötavad veatult ega kiilu kiini. Veenduge, et seadme osad ei ole murdunud või kahjustatud määral, mis mõjutab seadme töökindlust. Laske kahjustatud osad enne seadme kasutamist parandada.** Ebapiisavalt hooldatud elektrilised tööriistad põhjustavad õnnetusi.
- ▶ **Hoidke lõiketarvikud teravad ja puhtad.** Hästi hooldatud, teravate lõikeservadega lõiketarvikud kiiluvad harvemini kinni ja neid on lihtsam juhtida.
- ▶ **Kasutage elektrilist tööriista, tarvikuid ja lisatarvikuid vastavalt nende juhiste. Arvestage seejuures töötingimuste ja tehtava töö iseloomuga.** Elektrilise tööriista kasutamine otstarbel, milleks see ei ole ette nähtud, võib põhjustada ohtlikke olukordi.
- ▶ **Käepidemed ja haardepinnad peavad olema kuivad, puhtad ning vabad õlist ja rasvast.** Libedad käepidemed ja haardepinnad ei võimalda elektrilist tööriista ootamatutes olukordades kindlalt käsitseada ega kontrollida.

Aku tööriista kasutamine ja käsitsemine

- ▶ **Laadige akusid ainult tootja soovitatud laadimisseadmega.** Kui teatud tüüpi aku laadimiseks ettenähtud laadimiseseadet kasutatakse teist tüüpi akude laadimiseks, tekib tulekahjuoht.
- ▶ **Kasutage elektrilistes tööriistades ainult ettenähtud akusid.** Teist tüüpi akude kasutamine võib põhjustada vigastus- ja põlenguohtu.
- ▶ **Hoidke akud kasutusvälisel ajal eemal kirjaklambritest, müntidest, võtmetest, naeltest, kruvidest ja teistest väikestest metallesemetest, mis võivad aku kontaktid omavahel ühendada.** Aku kontaktide vahel tekkiv lühis võib põhjustada põletuse või tulekahju.
- ▶ **Väärkasutuse korral võib akuvedelik akust välja voolata. Vältige sellega kokkupuudet. Juhusliku kokkupuute korral loputage kahjustatud kohta veega. Kui vedelik satub silma, otsige ka arstiabi.** Väljavoolav akuvedelik võib põhjustada nahaärritust või põletust.
- ▶ **Ärge kasutage kahjustatud ega modifitseeritud akut!** Kahjustatud või modifitseeritud akud võivad käituda ettenägematult ja põhjustada tulekahju, plahvatusi või vigastusohtu.
- ▶ **Ärge laske akul kokku puutuda tule ega liiga kõrge temperatuuriga!** Tuli või temperatuur üle 130 °C (265 °F) võivad tekitada plahvatusi.
- ▶ **Järgige kõiki laadimisjuhiseid ja ärge kunagi laadige akut ega akutööriista väljaspool kasutusjuhendis näidatud temperatuurivahemikku.** Väär laadimine või laadimine väljaspool lubatud temperatuurivahemikku võib kahjustada akut ja suurendada tuleohtu.

Hooldus

- ▶ **Laske elektrilist tööriista parandada ainult kvalifitseeritud spetsialistidel, kes kasutavad originaalvaruosi.** Nii on tagatud elektrilise tööriista ohutu töö.



- ▶ **Ärge hooldage kahjustatud akut!** Akut võib hooldada ainult tootja või volitatud klienditeenindus.

2.2 Ohutusnõuded puurvasaratega töötamisel

- ▶ **Kandke kuulmiskaitsevahendeid.** Müra võib kahjustada kuulmist.
- ▶ **Kasutage tarnekomplekti kuuluvaid lisakäepidemeid.** Kontrolli kaotus seadme üle võib põhjustada vigastusi.
- ▶ **Kui teete töid, mille puhul võib tarvik tabada varjatud elektrijuhtmeid, hoidke seadet isoleeritud haardepinnast.** Kokkupuude pingestatud elektrijuhtmega võib seada pinge alla ka seadme metalldetailid ja põhjustada elektrilöögi.

2.3 Täiendavad ohutusnõuded

Inimeste turvalisus

- ▶ Kasutage seadet ja lisatarvikuid ainult siis, kui nende tehniline seisukord on veatu.
- ▶ Ärge kunagi muutke ega modifitseerige seadet ega lisatarvikuid.
- ▶ Tarviku vahetamisel kandke kaitsekindaid, kuna tarvik ja padrun võivad kasutamisel minna kuumaks.
- ▶ Tootel on kasutuseesmärgist sõltuvalt suur pöördemoment. Hoidke seadet ettenähtud käepidemetest alati mõlema käega. Seadme kasutaja peab olema ette valmistatud juhuks, kui tarvik järsku kinni kiilub.
- ▶ Veenduge, et lisakäepide on korrektselt paigaldatud ja nõuetekohaselt kinnitatud. Hoidke lisakäepidet alati väljastpoolt.
- ▶ Töötamise ajal võib materjalist eralduda kilde. Materjalist eralduvad killud võivad tekitada keha- ja silmavigastusi. Seadme kasutamise ajal kandke kaitseprille, kaitsekiivrit ja kuulmiskaitsevahendeid. Kui Te ei kasuta tolmuimejat, kandke lisaks kergest hingamisteede kaitsemaski.
- ▶ Läbistavate tööde korral ümbritsege kaitsepiiridega töödeldava koha taha jääv ala. Väljamurtavad tükid võivad välja ja/või alla kukkuda ning teisi inimesi vigastada.
- ▶ Lagede, seinte ja põrandate meiseldamisel võtke ohutu ja stabiilne asend. Äkiline läbistamine võib Teid tasakaalust välja viia.
- ▶ Vältige kokkupuudet seadme pöörlevate osadega - vigastuste oht!
- ▶ Hoidke ventilatsioonivad alati vabad. Kinni kaetud ventilatsioonivadest tingitud põletusoh!
- ▶ Lülitage seade sisse alles siis, kui see on viidud tööasendisse.
- ▶ Ärge kasutage seadet väga tolmuses keskkonnas.
- ▶ Lihvimisel, lõikamisel ja puurimisel tekkiv tolm võib sisaldada ohtlikke kemikaale. Mõned näited: plii või pliipõhised värvid; tellis, betoon ja muu müüritis, looduskivi ja muud silikaati sisaldavad tooted; teatud tüüpi puit, näiteks tamm, pöök ja keemiliselt töödeldud puit; asbest või asbesti sisaldavad materjalid. Tehke kindlaks kasutaja ja teiste läheduses viibivate isikutega kokkupuute tase, arvestades töödeldavate materjalide ohuklassi. Võtke vajalikud meetmed, et hoida kokkupuude ohutul tasemel, nt kasutage tolmukogumissüsteemi või kandke sobivat hingamisteede kaitse maski. Kokkupuute vähendamise üldiste meetmete hulka kuuluvad:
 - ▶ töötamine hästi ventileeritud piirkonnast,
 - ▶ tolmuga pikaajalise kokkupuute vältimine,
 - ▶ tolmu eemalejuhtimine näost ja kehast,
 - ▶ kaitserõivaste kandmine ja nähtavate kohtade pesemine vee ja seebiga.
- ▶ Tehke tihti pause ja sirutage sõrmi, et parandada verevarustust. Pikemaajalisel töötamisel võib tugev vibratsioon tekitada häireid sõrmede, käte või randmeliigeste veresoonte ja närvisüsteemi toimimises.
- ▶ Ärge vaadake otse valgusalikasse (LED) ega suunake seda teistele inimestele näkku. Esineb pimestusoh.
- ▶ Vältige vedeliku sissetungimist. Vedelikust tingitud lühis võib kaasa tuua tulekahju või tekitada põletusi.
- ▶ Allakukkuvatest tarvikutest või lisaseadistest tingitud vigastuste oht. Enne töö alustamist veenduge, et aku ja paigaldatud tarvik on kindlalt kinnitatud.
- ▶ Ärge kinnitage toote külge karabiinikonksu.

Elektriohutus

- ▶ Enne töö algust kontrollige tööpiirkond üle ja veenduge, et seal ei ole varjatud elektrijuhtmeid, gaasi- ega veetorusid. Pingestatud elektrijuhtme, gaasi- või veetoru vigastamise korral võivad seadme välised metallosad sattuda põhjustada plahvatusse või elektrilöögi.

Elektriliste tööriistade hoolikas käsitsemine ja kasutamine

- ▶ Lülitage seade kohe välja, kui tarvik kinni kiilunud. Seade võib külgsuunas liikuda.
- ▶ Enne käestpanekut oodake, kuni tööriist on täielikult seiskunud.



2.4 Akude hoolikas käsitlemine ja kasutamine

- ▶ **Järgige liitumioonakude ohutu käsitlemise ja kasutamise kohta esitatud juhiseid.** Eiramine võib tekitada nahaärrituse, söövitususe, keemilise põletuse, tulekahju ja/või põhjustada plahvatusi.
- ▶ Kasutage akusid ainult siis, kui nende tehniline seisukord on veatu.
- ▶ Käsitlege akusid ettevaatlikult, et vältida on kahjustusi ja terviseohtlike vedelike eraldumist!
- ▶ Akusid ei tohi mingil juhul modifitseerida ega manipuleerida!
- ▶ Akusid ei tohi lahti võtta, kokku muljuda, kuumutada üle 80°C (176°F) ega põletada.
- ▶ Ärge kasutage ega laadige akusid, millele on avaldunud löök või mis on muul viisil kahjustada saanud. Kontrollige regulaarselt, ega akudel ei ole märke kahjustustest.
- ▶ Ärge kunagi kasutage ringlusse võetud või parandatud akusid.
- ▶ Ärge kasutage akut või akutoitega elektrilist tööriista kunagi löögitarvikuna.
- ▶ Ärge jätke akut kunagi otsese päikesekiirguse, kuumuse, sädemete või lahtise leegi kätte. See võib põhjustada plahvatusi.
- ▶ Ärge puudutage aku pooluseid sõrmede, tööriistade, ehete või muude metalliesemetega. See võib akut kahjustada, samuti tekitada varalist kahju ja kehavigastusi.
- ▶ Hoidke akusid eemal vihmast, niiskusest ja vedelikest. Sissetungiv niiskus võib põhjustada lühist, elektrilööki, põletust, tulekahju ja plahvatust.
- ▶ Kasutage üksnes seda tüüpi aku jaoks ette nähtud laadimisaseid ja elektrilisi tööriistu. Juhinduge asjaomastes kasutusjuhendites esitatud andmetest.
- ▶ Ärge kasutage ega säilitage akut plahvatusohtlikus keskkonnas.
- ▶ Kui aku on nii kuum, et seda ei saa puudutada, võib aku olla defektne. Asetage aku nähtavasse tulekindlasse kohta, mis on süttivatest materjalidest piisavaltkaugel. Laske akul jahtuda. Kui aku on ühe tunni pärast ikka veel liiga kuum, et seda puudutada saaks, siis on aku defektne. Pöörduge **Hilti** hooldekeskusesse või lugege läbi dokument "Juhised **Hilti** liitumioonakude ohutu käsitlemise ja kasutamise kohta".

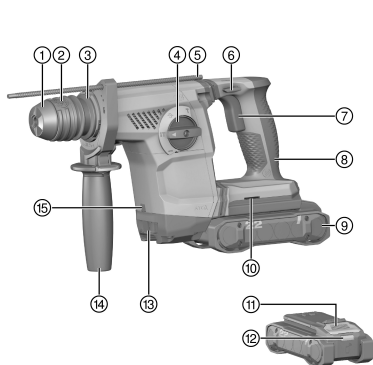


Järgige liitumioonakude transpordi, ladustamise ja käsitlemise kohta esitatud erijuhiseid.
→ Lehekülg 74

Lugege läbi **Hilti** liitumioonakude ohutu käsitlemise ja kasutamise juhised, mis avanevad käesoleva kasutusjuhendi lõpus oleva QR-koodi skännimisel.

3 Kirjeldus

3.1 Toote ülevaade



- ① Tolmukaitsekate
- ② Tarvikulukustus / tarvikukinnitus
- ③ Liitmik tolmu kogumismoodulile
- ④ Töörežiimilüliti
- ⑤ Sügavuspiirik
- ⑥ Reversilüliti koos transpordikaitsega
- ⑦ Juhtüliti
- ⑧ Käepide
- ⑨ Aku
- ⑩ Lisatarvikute paigaldamise ava
- ⑪ Aku vabastusnupp
- ⑫ Aku oleku indikaator
- ⑬ Liitmik tolmu eemaldusmoodulile TE DRS-46 (01)
- ⑭ Lisakäepide
- ⑮ Töökohta valgustav tuli (LED)

3.2 Nõuetekohane kasutamine

Kirjeldatud toode on akutoitega puurvasar SDS-Plus. See on ette nähtud terase, puidu ja müüritise puurimiseks, betooni ja müüritise löökpuurimiseks ning kruvide sisse- ja väljakeeramiseks. Lisaks võib seadet kasutada kergeteks meiseldustöödeks müüritises ning betoonpindade viimistlemiseks.



- Kasutage selle toote jaoks ainult **Hilti** Nuron B 22 seeria liitumioonakusid. Optimaalse võimsuse tagamiseks soovitab **Hilti** kasutada selle toote jaoks käesoleva kasutusjuhendi lõpus olevas tabelis nimetatud akusid.
- Kasutage nende akude laadimiseks ainult käesoleva kasutusjuhendi lõpus nimetatud seeriatesse kuuluvaid **Hilti** laadimiseseadmeid.

3.3 Tarnekomplekt

Puurvasar SDS-Plus, lisakäepide, määre, sügavuspiirik, kasutusjuhend.

Tolmuemaldusmoodul TE DRS-46 (01) lisatarvikuna tolmuvaaba töö tagamiseks.

Muud süsteemitooted leiata müügiesindusest **Hilti Store** või veebisaidilt: www.hilti.group

3.4 Liitumioonaku kuvamine

Hilti Nuron liitumioonakud saavad näidata laetuse astet, anda veateateid ja näidata aku olekut.

3.4.1 Laetuse astme ja veateadete kuvamine



HOIATUS

Vigastuste oht allakukkiva aku tõttu!

- ▶ Kui aku on paigaldatud, tehke vabastuslukule vajutamisega kindlaks, et aku on kasutatavas tootesse õigesti sisse pandud.

Selleks et kuvada ühte järgmistest näitudest, vajutage korraks aku vabastusnupule.

Laetuse astet ning võimalikke tõrkeid kuvatakse pidevalt seni, kuni ühendatud seade on sisse lülitatud.

Seisund	Tähendus
Neli (4) LED-tuld põlevad pideva rohelise tulega	Laetuse aste: 100 % kuni 71 %
Kolm (3) LED-tuld põlevad pideva rohelise tulega	Laetuse aste: 70 % kuni 51 %
Kaks (2) LED-tuld põlevad pideva rohelise tulega	Laetuse aste: 50 % kuni 26 %
Üks (1) LED-tuli põleb pideva rohelise tulega	Laetuse aste: 25 % kuni 10 %
Üks (1) LED-tuli vilgub aeglaselt rohelise tulega	Laetuse aste: < 10 %
Üks (1) LED-tuli vilgub aeglaselt rohelise tulega	Liitumioonaku on täielikult tühjenenud. Laadige akut. Kui LED-tuled pärast laadimist ikka veel kiiresti vilguvad, pöörduge Hilti hooldekeskusse.
Üks (1) LED-tuli vilgub kiiresti kollase tulega	Liitumioonaku ja sellega ühendatud seade on üle koormatud, liiga külmad või liiga kuumad või on tegemist muu veaga. Viige seade ja aku soovitatud töötemperatuurile ja ärge avaldage tootele ülekoormust. Kui teade ei kao, pöörduge Hilti hooldekeskusse.
Üks (1) LED-tuli põleb kollase tulega	Liitumioonaku ja sellega seotud toode ei ühildu. Palun pöörduge Hilti hooldekeskusse.
Üks (1) LED-tuli vilgub kiiresti punase tulega	Liitumioonaku on lukustatud ja seda ei saa kasutada. Palun pöörduge Hilti hooldekeskusse.

3.4.2 Akude oleku kuvamine

Aku seisundi teadaasaamiseks hoidke vabastusklahvi all kauem kui kolm sekundit. Süsteem ei tuvasta võimalikku aku tõrget, mis on tingitud valest käsitlemisest, nt kukkumisest, torgetest, suurest kuumusest vm.

Seisund	Tähendus
Kõik LED-tuled süttivad pideva tulena ja seejärel põleb (1) LED-tuli pidevalt rohelise tulega.	Akut võib jätkuvalt kasutada.
Kõik LED-tuled süttivad pideva tulena (1) ja LED-tuli vilgub kiiresti kollase tulega.	Aku oleku kohta esitatud päringut ei saanud lõpetada. Korraake protsessi või pöörduge Hilti hooldekeskusse.



Seisund	Tähendus
Kõik LED-tuled süttivad pideva tulena ja seejärel põleb (1) ja LED-tuli pideva punase tulega.	Kui ühendatud seadet saab jätkuvalt kasutada, on aku allesjäänud mahtuvus alla 50%. Kui ühendatud seadet ei saa enam kasutada, on aku kasutusressurss ammendunud ja aku tuleb välja vahetada. Palun pöörduge Hilti hooldekeskusse.

4 Tehnilised andmed

Kaal vastavalt EPTA Procedure 01 ilma akuta	2,84 kg
Löögienergia EPTA-Procedure 05 kohaselt	2,6 J
Puuritava ava läbimõõt betoonis/müüritises (löökpuurimine)	4 mm ... 28 mm
Ümbritseva keskkonna temperatuur töötamise ajal	-17 °C ... 60 °C
Hoiutemperatuur	-20 °C ... 70 °C

4.1 Aku

Aku tööpinge	21,6 V
Aku kaal	Vt kasutusjuhendi lõpp
Ümbritseva keskkonna temperatuur töötamise ajal	-17 °C ... 60 °C
Hoiutemperatuur	-20 °C ... 40 °C
Aku temperatuur laadimise alguses	-10 °C ... 45 °C

4.2 Andmed müra ja vibratsiooni kohta vastavalt standardile EN 60745

Käesolevas kasutusjuhendis toodud helirõhu- ja vibratsioonitase on mõõdetud standarditud mõõtemeetodil ning asjaomaseid näitajaid saab kasutada elektriliste tööriistade võrdlemiseks. Need sobivad ka müra- ja vibratsioonitaseme esialgseks hindamiseks. Toodud näitajad iseloomustavad elektrilise tööriista põhilisi ettenähtud töid. Kui aga elektrilist tööriista kasutatakse muul otstarbel, teiste tarvikutega või kui tööriista on ebapiisavalt hooldatud, võivad näitajad käesolevas juhendis toodud näitajatest kõrvale kalduda. See võib vibratsiooni- ja mürataset töötamise koguperioodil tunduvalt suurendada. Müra- ja vibratsioonitaseme täpseks hindamiseks tuleb arvesse võtta ka aega, mil tööriist oli välja lülitatud või küll sisse lülitatud, kuid tege-likult tööle rakendamata. See võib vibratsiooni- ja mürataset töötamise koguperioodil tunduvalt vähendada. Seadme kasutaja kaitsmiseks müra ja/või vibratsiooni eest rakendage täiendavaid kaitseabinõusid, näiteks: hooldage seadet ja tarvikuid korralikult, hoidke käed soojad, tagage sujuv töökorraldus.

Müratase

Helirõhutase (L_{pA})	91 dB(A)
Helirõhutase mõõtemääramatus (K_{pA})	3 dB(A)
Helivõimsustase (L_{WA})	102 dB(A)
Helivõimsustase mõõtemääramatus (K_{WA})	3 dB(A)

Vibratsiooni kogutase

		TE 6-22	TE 6-22 + TE DRS-46 (01)
Betooni löökpuurimine ($a_{n, HD}$)	B 22-85	10,7 m/s ²	10,6 m/s ²
	B 22-170	10,4 m/s ²	11,3 m/s ²
Meiseldamine	B 22-85	6,3 m/s ²	5,5 m/s ²
	B 22-170	6,3 m/s ²	6,0 m/s ²
Mõõtemääramatus (K)		1,5 m/s ²	1,5 m/s ²



5 Töö ettevalmistamine

HOIATUS

Vigastuste oht soovimatu käivitumise tõttu!

- ▶ Enne aku paigaldamist veenduge, et selle juurde kuuluv seade on välja lülitatud.
- ▶ Enne seadme seadistamist ja tarvikute vahetamist eemaldage seadmest aku.

Järgige kasutusjuhendis esitatud ja tootele märgitud ohutusnõudeid ja hoiatusi.

5.1 Aku laadimine

1. Enne laadimist lugege laadimiseadme kasutusjuhendit.
2. Veenduge, et aku ja laadimiseadme kontaktid on puhtad ja kuivad.
3. Laadige akut selleks ettenähtud laadimiseadmega. → Lehekülg 68

5.2 Aku paigaldamine

HOIATUS

Vigastuste oht lühise või allakukkunud aku tõttu!

- ▶ Enne aku paigaldamist veenduge, et aku ja seadme kontaktidel ei ole võõrkehaseid.
- ▶ Veenduge, et aku fikseerub alati korrektselt kohale.

1. Enne esmakordset kasutamist laadige aku täiesti täis.
2. Lükake aku seadmesse, kuni see kuuldavalt kohale fikseerub.
3. Kontrollige aku kindlat kinnitumist.

5.3 Aku eemaldamine

1. Vajutage aku vabastusnupule.
2. Tõmmake aku seadmest välja.

5.4 Lisakäepideme paigaldamine

1. Keerake käepidet, et lisakäepideme kinnitusmehhanismi (kinnitusriba) vabastada.
2. Lükake kinnitusmehhanism (kinnitusriba) eest üle padruni selleks ettenähtud soonde.
3. Seadke lisakäepide soovitud asendisse.
4. Keerake käepidet, et lisakäepideme kinnitusmehhanismi (kinnitusriba) pingutada.

5.5 Tarviku paigaldamine



Määrige tarviku padrunisse kinnitatavat osa veidi.

Kasutage üksnes Hilti originaalmääret. Vale määre võib seadet kahjustada.

1. Asetage tarvik padrunisse ja keerake seda kerge survega, kuni see kuuldavalt kohale fikseerub.
2. Pärast paigaldamist tõmmake tarvikust, et kontrollida, kas see on kindlalt kinni.
 - ▶ Seade on töövalmis.

5.6 Tarviku eemaldamine

ETTEVAATUST

Tarvikust tingitud kehavigastuste oht! Tarvik võib olla kuum või teravate servadega.

- ▶ Tarviku vahetamisel kandke kaitsekindaid.

1. Tõmmake tarviku lukustus lõpuni tagasi.
2. Eemaldage tarvik.

5.7 Sügavuspiiriku paigaldus ja reguleerimine

1. Vajutage lisakäepidemel olevale vabastusnupule ja hoidke seda all.



- Viige sügavuspiirik eestpoolt lisakäepidemes olevasse avasse. Seadke sügavuspiirik soovitud puurimis-sügavusele.
- Vabastage vabastusnupp.
 - Sügavuspiirik on lukustatud.

5.8 Lukustusklamber

HOIATUS

Vigastuste oht tingitud allakukkuvast tööriistast ja/või tarvikust!

- Toote jaoks kasutage üksnes soovitatud **Hilti** tööriistarossi.
- Iga kord enne kasutamist kontrollige, et tarvikuhoidetrossi kinnituspunkt ei ole kahjustada saanud.



Järgige riigis kehtivaid eeskirju kõrgustes töötamise kohta.

Selle toote puhul kasutage kukkumiskaitsetena vaid **Hilti** kukkumiskaitset kombinatsioonis **Hilti** tööriistatrossiga #2261970.

- Kinnitage kukkumiskaitse lisatarviku paigaldusavadesse. Kontrollige kindlat kinnitumist.
- Kinnitage üks karabiinikonks tööriistatrossi külge ja teine karabiinikonks kandva konstruktsiooni külge. Kontrollige mõlema karabiinikonksu kindlat kinnitumist.



Järgige **Hilti** kukkumiskaitse ja **Hilti** tööriistatrossi kasutusjuhendeid.

6 Käsitsemine

Järgige kasutusjuhendis esitatud ja tootele märgitud ohutusnõudeid ja hoiatusi.

6.1 Sisse- ja väljalülitamine

- Seadme sisselülitamiseks vajutage juhtlülile.
 - Juhtlüliti sissevajutamise sügavusega saab pöörete arvu sujuvalt reguleerida.
- Seadme väljalülitamiseks vabastage juhtlüliti.

6.2 Pöörlemissound

- Reguleerige välja pöörlemissound.
 - Lüliti fikseerub selles asendis.

6.3 Töörežiimilüliti

Seadke töörežiimilüliti soovitud töörežiimile.



Vigastuste oht! Töörežiimilülitit ei tohi käsitseda seadme töötamise ajal.

Löögita puurimine

- Seadke töörežiimilüliti asendisse .

Löökpuurimine

- Seadke töörežiimilüliti asendisse .

Meisli positsioneerimine

- Seadke töörežiimilüliti asendisse .

Meiseldamine

- Seadke töörežiimilüliti asendisse .



7 Täiendav lisatarvik

7.1 Tolmueemaldusmoodul TE DRS-46 (01)

Tolmueemaldusmoodulit TE DRS-46 (01) kasutatakse puurvasara SDS-Plus tarvikuna. See kogub kokku suure osa tekkivast tolmust ja seda saab kiiresti ja lihtsalt puurvasara SDS-Plus külge kinnitada. Tolmueemaldusmoodulisse on sisse ehitatud imiventilaator. Ventilatoril on oma mootor. Puurvasara sisselülitamisel saab SDS-Plus moodul voolu puurvasara akult SDS-Plus.

Tolmueemaldusmoodul ei sobi kasutamiseks metalli ja puidu töötlemisel.

Tingimused: TE DRS-46 (01) OSHA

TE DRS-46 (01) OSHA on kooskõlas direktiiviga OSHA 1926.1153 Table 1. See on varustatud filtripuhastusmehhanismiga.

7.2 Tolmukogumismooduli paigaldamine pea kohal tehtavateks töödeks

1. Paigaldage tarvik. → Lehekülg 71
2. Lükake tolmu kogumismoodul üle tarvikukinnituse ja asetage see soontesse puurvasara SDS-Plus korpuses.
3. Keerake tolmu kogumismoodulit vastupäeva, kuni see lukustub.

8 Hooldus ja korrashoid

HOIATUS

Vigastuste oht paigaldatud aku korral !

- ▶ Enne mis tahes hooldus- ja korrashoiutöid eemaldage seadmest aku!

Toote hooldus

- Eemaldage kõvast kinni olev mustus ettevaatlikult.
- Puhastage ventilatsiooniavasid ettevaatlikult kuiva, pehme harjaga.
- Puhastage korpust ainult veidi niiske lapiga. Ärge kasutage silikooni sisaldavaid hooldusvahendeid, sest need võivad kahjustada seadme plastdetaili.
- Seadme kontaktide puhastamiseks kasutage puhast kuiva lappi.

Liitiumioonakude hooldus

- Ärge kunagi kasutage akut, mille ventilatsiooniavad on ummistunud. Puhastage ventilatsiooniavasid ettevaatlikult kuiva, pehme harjaga.
- Kaitske akut tolmu ja mustuse eest. Ärge jätke akut kunagi suure niiskuse kätte (ärge asetage seda vette ja ärge jätke vihma kätte).
Kui aku on märjaks saanud, siis käsitlege seda nii, nagu oleks see kahjustatud. Isoleerige aku tulekindlas anumast ja pöörduge **Hilti** hooldekeskusesse.
- Hoidke aku puhas õlist ja rasvast. Vältige akusse asjatult tolmu ja mustuse kogunemist. Puhastage aku kuiva pehme harjaga või puhta kuiva lapiga. Ärge kasutage silikooni sisaldavaid hooldusvahendeid, sest need võivad kahjustada seadme plastdetaili.
Ärge puudutage aku kontakte ja ärge eemaldage kontakte tehases peale kantud mäaret.
- Puhastage korpust ainult veidi niiske lapiga. Ärge kasutage silikooni sisaldavaid hooldusvahendeid, sest need võivad kahjustada seadme plastdetaili.

Tehnohooldus

- Kontrollige regulaarselt, kas kõik nähtavad osad on terved ja juhtelemendid töötavad veatult.
- Ärge kasutage seadet kahjustuste ja/või tõrgete korral. Laske seade kohe parandada **Hilti** hooldekeskuses.
- Pärast hooldus- ja korrashoiutöid paigaldage kõik kaitseseadised ja kontrollige, kas need töötavad veatult.



Tööohutuse tagamiseks kasutage ainult originaalvaruosi ja -materjale. **Hilti** heakskiidetud varuosad, materjalid ja lisatarvikud oma tootele leiata müügiesindusest **Hilti Store** või veebilehelt: www.hilti.group



8.1 Tolmukaitsekatte puhastamine

- ▶ Puhastage padruni tolmuaitsekattet regulaarselt puhta kuiva lapiga.
- ▶ Pühkige tihend ettevaatlikult puhtaks ja määrige seda kergelt **Hilti** määrdega.
- ▶ Kui tihend on kahjustatud, tuleb tolmuaitsekate välja vahetada.

9 Akutööriistade ja akude transport ja ladustamine

Transport

ETTEVAATUST

Soovimatu käivitumine transportimisel !

- ▶ Transportige tooteid ilma akudeta!
- ▶ Eemaldage aku/akud.
- ▶ Ärge kunagi transportige akusid lahtiselt. Enne aku transportimist tuleb aku pakendada nii, et see oleks kaitsitud löökide ja vibratsiooni eest ning isoleeritud kõikidest elektri juhtivatest materjalidest või teistest akudest, et vältida kokkupuudet teise aku poolustega ning lühise teket. **Järgige akude transpordi suhtes kehtivaid riigisiseid nõudeid.**
- ▶ Akusid ei tohi saata posti teel. Kahjustamata akude saatmiseks pöörduge logistikaettevõtja poole.
- ▶ Iga kord enne kasutamist ning enne ja pärast pikemat transporti või hoiustamist kontrollige seadet ja akusid vigastuste suhtes.

Hoiustamine

HOIATUS

Defektssed akud või lekkivad akud võivad tekitada vigastusi !

- ▶ Kasutusvälisel ajal eemaldage seadme aku!
- ▶ Hoidke seadet ja akusid jahedas ja kuivas kohas. Pidage kinni tehnilistes andmetes toodud temperatuuripiirangutest.
- ▶ Ärge hoidke akusid laadimisseadmes. Pärast laadimist eemaldage aku laadimisseadme.
- ▶ Ärge hoidke akusid päikese käes, radiaatori peal või klaasi taga.
- ▶ Hoidke seadet ja akusid lastele ja kõrvalistele isikutele ligipääsmatus kohas.
- ▶ Iga kord enne kasutamist ning enne ja pärast pikemaajalist seismist kontrollige seadet ja akusid kahjustuste suhtes.

10 Abi tõrgete puhul

Kõikide tõrgete puhul pöörake tähelepanu aku laetuse astme ja tõrgete indikaatoritele. Vt ptk **Liitumioonaku laetuse näidud**.

Kui peaks esinema tõrge, mida ei ole järgmises tabelis nimetatud või mida Te ei suuda ise kõrvaldada, pöörduge **Hilti** hooldeskeskusse.

Tõrge	Võimalik põhjus	Lahendus
Juhtlüliti ei saa alla vajutada või see on kinni kiilunud.	Reverlülit on keskasendis.	▶ Lükake reverlülit vasakule või paremale.
Spindel ei pöörle.	Aku ei ole täielikult sisse pandud.	▶ Laske akul kuuldava klõpsuga kohale fikseeruda.
	Reverlülit on keskasendis.	▶ Lükake reverlülit vasakule või paremale.
Puudub löögifunktsioon.	Tööriist ei ole kohale fikseerunud või on asendis "Meiseldamine" T või "Meisli positsioneerimine" -> .	▶ Seadke töörežiimilüliti seisval seadmel asendisse "Löögita puurimine" ⚡ või "Löökpuurimine" ⚡T .
	Seade on liiga külm.	▶ Asetage seade pinnale ja laske sellel töötada tühikäigul. Vajaduse korral korrake, kuni löögimehhanism hakkab tööle.
	Tööriist on asendis "Löögita puurimine" ⚡ .	▶ Seadke töörežiimilüliti asendisse "Löökpuurimine" ⚡T .



Törge	Võimalik põhjus	Lahendus
Aku tühjeneb tavalisest kiiremini.	Aku seisund ei ole optimaalne.	▶ Tehke kindlaks aku olek. → Lehekülj 69
Aku ei fikseeru kuuldava klõpsuga kohale.	Aku fiksaatorid on määrdunud.	▶ Puhastage fiksaatorid ja paigaldage aku uuesti.
Aku LED-tuled on kustunud	Aku on defektne	▶ Pöörduge Hilti hooldekeskusse.
Seade või aku läheb väga kuumaks.	Elektriga seotud rike	▶ Lülitage seade kohe välja. Eemaldage aku ja ärge jätke seda järelevalveta. Laske akul jahtuda. Võtke ühendust Hilti hooldekeskusega.
Tarvikut ei saa padrunist vastastada.	Padrun ei ole täielikult tagasi tõmmatud.	▶ Tõmmake padrun lõpuni tagasi ja eemaldage tarvik.
Tarvik ei tungi sisse.	Seade on lülitatud vasakule käigule.	▶ Seadke reverslüli paremkäigule.
	Töörežiimilüliti on asendis "Löögita puurimine"	▶ Seadke töörežiimilüliti asendisse "Löökpuurimine"

11 Utiliseerimine



HOIATUS

Valest käitlemisest tingitud vigastuste oht! Eralduvad gaasid või vedelikud on terviseohtlikud.

- ▶ Ärge saatke kahjustada saanud akusid posti teel!
- ▶ Lühise vältimiseks katke akukontaktid elektrit mittejuhtiva materjaliga.
- ▶ Käideldge akusid nii, et need ei satu laste kätte.
- ▶ Utiliseerige aku **Hilti Store** esinduses või pöörduge asjaomase jäätmekäitlusettevõtte poole.

Enamik **Hilti** seadmete valmistamisel kasutatud materjalidest on taaskasutatavad. Taaskasutuse eelduseks on materjalide korralik sorteerimine. Paljudes riikides kogub **Hilti** kasutusressursi ammendanud seadmed kokku. Lisateavet saate **Hilti** müügiesindusest.



- ▶ Ärge visake kasutusressursi ammendanud elektrilisi tööriistu, elektroonikaseadmeid ja akusid olmejäätmete hulka!

12 Tootja garantii

- ▶ Garantiitingimusi puudutavates küsimustes pöörduge oma kohaliku **Hilti** partneri poole.

13 Lisateave

Lisateavet käsitlemise, tehnika, keskkonna ja übertöötuse kohta leiate lingilt: qr.hilti.com/manual?id=2264935&id=2264937

See link sisaldub ka käesoleva kasutusjuhendi lõpus QR-koodina.

Originali naudojimo instrukcija

1 Dokumentų duomenys

1.1 Apie šią instrukciją

- Prieš pradėdami eksploatuoti, perskaitykite šią instrukciją. Tai yra saugaus darbo ir patikimo naudojimo sąlyga.
- Laikykitės šioje instrukcijoje ir ant prietaiso pateiktų saugos nurodymų ir įspėjimų.
- Šią naudojimo instrukciją visada laikykite kartu su prietaisu, prietaisą kitiems asmenims perduokite tik kartu su šia instrukcija.



1.2 Ženklių paaiškinimas

1.2.1 Įspėjamieji nurodymai

Įspėjamieji nurodymai įspėja apie pavojus, gresiančius eksploatuojant prietaisą. Naudojami šie signaliniai žodžiai:

PAVOJUS

PAVOJUS !

- Šis žodis vartojamas norint įspėti apie tiesiogiai gresiantį pavojų, kurio pasekmės yra sunkūs kūno sužalojimai arba žūtis.

ĮSPĖJIMAS

ĮSPĖJIMAS !

- Šis žodis vartojamas norint įspėti apie galimai gresiantį pavojų, kurio pasekmės gali būti sunkūs kūno sužalojimai arba žūtis.

ATSARGIAI

ATSARGIAI !

- Šis žodis vartojamas potencialiai pavojingai situacijai žymėti, kai yra kūno sužalojimo arba materialinių nuostolių grėsmė.

1.2.2 Naudojimo instrukcijoje naudojami simboliai

Šioje naudojimo instrukcijoje naudojami tokie simboliai:

	Laikytės naudojimo instrukcijos
	Naudojimo nurodymai ir kita naudinga informacija
	Rodo, kad juo paženklintą medžiagą galima perdirbti
	Elektrinių prietaisų ir akumuliatorių nemesti į buitines atliekas
	Hilti Ličio jonų akumulatorius
	Hilti Kroviklis

1.2.3 Ilustracijose naudojami simboliai

Ilustracijose naudojami šie simboliai:

	Šis skaitmenys nurodo atitinkamą iliustraciją šios naudojimo instrukcijos pradžioje.
	Numeravimas nurodo darbinių veiksmų eiliškumą paveikslėlyje ir gali skirtis nuo tekste pateikto darbinių veiksmų numeravimo.
	Pozicijų numeriai naudojami paveikslėlyje Apžvalga – jie nurodo skyrelyje Prietaiso vaizdas esančių paaiškinimų numerius.
	Šiuo ženklu siekiama atkreipti ypatingą dėmesį į naudojamą šiuo prietaisu.

1.3 Specifiniai prietaiso simboliai

1.3.1 Simboliai ant prietaiso

Ant prietaiso gali būti naudojami šie simboliai:

	Prietaisas palaiko NFC technologiją, suderinamą su „iOS“ ir „Android“ platformomis.
	Grėžimas be smūgiavimo



	Gręžimas smūgiuojant (smūginis gręžimas)
	Kalto padėties nustatymas
T	Kirtimas kalnu
	Dešininė / kairinė eiga
n_0	Nominalus tuščiosios eigos sukimosi greitis
	Nuolatinė srovė
Li-Ion	Ličio jonų akumulatorius
	Niekada nenaudokite akumulatoriaus kaip smūginio įrankio.
	Saugokite, kad akumulatorius nenukristų. Nenaudokite akumulatoriaus, kuris buvo sutrenktas arba kaip nors kitaip pažeistas.

1.4 Informacija apie prietaisą

HILTI gaminiai yra skirti profesionalams, todėl juos naudoti, techniškai prižiūrėti ir remontuoti leidžiama tik įgaliotam inžinieriui ar personalui. Šis personalas turi būti supažindintas su visais galimais pavojais. Neapmokyto personalo, netinkamai arba ne pagal paskirtį naudojamais prietaisais ir jo reikmenys gali kelti pavojų.

Tipas ir serijos numeris yra nurodyti firminėje duomenų lentelėje.

- Serijos numerį perkelkite į toliau nurodytą lentelę. Kreipdamiesi su prietaisu susijusiais klausimais į mūsų atstovybę ar techninės priežiūros centrą, visada nurodykite šiuos prietaiso duomenis.

Prietaiso duomenys

Perforatorius SDS-Plus	TE 6-22
Karta	05
Serijos Nr.	

1.5 Atitikties deklaracija

Gamintojas prisiimdamas visą atsakomybę pareiškia, kad čia aprašytas prietaisas atitinka galiojančių įstatymų ir standartų reikalavimus. Atitikties deklaracijos kopiją rasite šios instrukcijos gale.

Techninė dokumentacija saugoma čia:

Hilti Entwicklungsgesellschaft mbH | Zulassung Geräte | Hiltistraße 6 | 86916 Kaufering, DE

2 Sauga

2.1 Bendrieji saugos nurodymai dirbantiems su elektriniais įrankiais

⚠ [SPĖJIMAS Perskaitykite visus ant šio elektrinio įrankio esančius saugos nurodymus, instrukcijas, paveiksliukus ir techninius duomenis. Šių nurodymų nesilaikymas gali tapti elektros smūgio, gaisro ir / arba sunkių sužalojimų priežastimi.

Išsaugokite visus saugos nurodymus ir instrukcijas, kad galėtumėte į juos pažvelgti ateityje.

Saugos nurodymuose vartojama sąvoka „elektrinis įrankis“ apibrėžiami iš elektros tinklo maitinami elektriniai įrankiai (turintys maitinimo kabelį) ir iš akumulatoriaus maitinami elektriniai įrankiai (be maitinimo kabelio).

Sauga darbo vietoje

- **Pasirūpinkite, kad darbo vieta visada būtų švari ir gerai apšviesta.** Netvarkinga ar blogai apšviesta darbo vieta gali tapti nelaimingų atsitikimų priežastimi.
- **Nenaudokite elektrinio įrankio sprogoje aplinkoje, kurioje yra degių skysčių, dujų arba dulkių.** Veikiantys elektriniai įrankiai kibirkščiuoja, ir kibirkštys gali uždegti dulkes arba susikaupusius garus.
- **Dirbdami su elektriniu įrankiu, neleiskite darbo zonoje būti vaikams ir pašaliniam asmeniui.** Atitraukę dėmesį nuo darbo, galite nebesuvaldyti prietaiso.



Apsauga nuo elektros

- ▶ **Prietaiso maitinimo kabelio kištukas turi atitikti elektros lizdo tipą. Kištuko jokiu būdu negalima keisti. Nenaudokite tarpinių kištukų kartu su elektriniais įrankiais, turinčiais apsauginį įžeminimą.** Nepakeisti kištukai ir tinkami elektros lizdai mažina elektros smūgio riziką.
- ▶ **Venkite kūno kontakto su įžemintais paviršiais, pvz., vamzdžiais, šildytuvais, viryklėmis ir šaldytuvais.** Kai žmogaus kūnas yra įžemintas, padidėja elektros smūgio tikimybė.
- ▶ **Elektrinius įrankius saugokite nuo lietaus ir drėgmės.** Į elektrinį įrankį patekus vandens, padidėja elektros smūgio rizika.
- ▶ **Nenaudokite elektros maitinimo kabelio ne pagal paskirtį, t. y. neneškite elektrinio įrankio paėmę už kabelio, nekabinkite jo ant kabelio, netraukite už kabelio, norėdami ištraukti kištuką iš elektros lizdo. Elektros maitinimo kabelį saugokite nuo karščio, alyvos, aštrių briaunų ar judančių dalių.** Pažeisti arba susipynę elektros maitinimo kabeliai didina elektros smūgio riziką.
- ▶ **Jei su elektriniu įrankiu dirbate lauke, naudokite tik tokius ilginimo kabelius, kurie tinka ir lauko darbams.** Naudojant lauko darbams tinkančius ilginimo kabelius, mažėja elektros smūgio rizika.
- ▶ **Jeigu elektrinio įrankio naudojimo drėgnoje aplinkoje negalima išvengti, į elektros tinklą jįjunkite per apsauginę nuotėkio relę.** Apsauginė nuotėkio relė mažina elektros smūgio riziką.

Žmonių sauga

- ▶ **Dirbdami su elektriniu įrankiu, būkite atidūs, sutelkite dėmesį į darbą ir vadovaukitės sveika nuovoka. Elektrinio įrankio nenaudokite, jeigu esate pavargę arba apsvaigę nuo narkotinių medžiagų, alkoholio ar vaistų.** Neatidumo akimirka dirbant su elektriniu įrankiu gali tapti rimtu sužalojimų priežastimi.
- ▶ **Naudokite asmenines apsaugos priemones ir visuomet užsidėkite apsauginius akinius.** Naudojant asmenines apsaugos priemones, pvz., respiratorių, neslystančius apsauginius batus, apsauginį šalną, ausines ir kt., priklausomai nuo elektrinio įrankio tipo ir naudojimo, mažėja rizika susižaloti.
- ▶ **Saugokitės, kad neįjungtumėte prietaiso atsitiktinai. Prieš prijungdami prie elektros maitinimo tinklo, įdėdami akumuliatorių, imdami į rankas ar nešdami, įsitikinkite, kad elektrinis įrankis yra išjungtas.** Jeigu nešdami elektrinį įrankį pirštą laikysite ant jungiklio arba įrankį įjungsitė į elektros tinklą tuomet, kai jungiklis nėra išjungtas, gali įvykti nelaimingas atsitikimas.
- ▶ **Prieš įjungdami elektrinį įrankį, pašalinkite iš jo reguliavimo įrankius ar veržlinius raktus.** Besisukančioje prietaiso dalyje esantis įrankis ar paliktas raktas gali tapti sužalojimų priežastimi.
- ▶ **Venkite nepatogių kūno padėčių. Dirbdami stovėkite tvirtai ir visada išlaikykite kūno pusiausvyrą.** Taip galėsite geriau kontroliuoti elektrinį įrankį netikėtose situacijose.
- ▶ **Vilkėkite tinkamą aprangą. Nevilkėkite plačių drabužių, nesidėkite papuošalų. Saugokite plaukus, drabužius ir pirštines nuo besisukančių prietaiso dalių.** Laisvus drabužius, papuošalus ir ilgus plaukus gali įtraukti besisukančios prietaiso dalys.
- ▶ **Jei yra numatyta galimybė prijungti dulkių nusiurbimo ar surinkimo įrenginius, visada įsitikinkite, kad jie yra prijungti ir tinkamai naudojami.** Naudojant dulkių nusiurbimo įrenginį, gali sumažėti dulkių keliami grėsmė.
- ▶ **Neturėkite iliuzijų, kad visada esate saugūs, ir, skaitydami naudojimo instrukcijas, nepraleiskite skyrelių apie saugų darbą su elektriniais įrankiais, net jeigu per ilgus naudojimo metus esate su savo elektriniu įrankiu susipažinę.** Neatsargus veiksmas per sekundės dalį gali tapti sunkių sužalojimų priežastimi.

Elektrinio įrankio naudojimas ir elgesys su juo

- ▶ **Prietaiso neperkraukite. Naudokite Jūsų darbui tinkamą elektrinį įrankį.** Su tinkamu elektriniu įrankiu dirbsite geriau ir saugiau, jei neviršysite nurodytos galios.
- ▶ **Nenaudokite elektrinio įrankio su sugedusiu jungikliu.** Elektrinis įrankis, kurio nebegalima įjungti ar išjungti, yra pavojingas ir jį reikia remontuoti.
- ▶ **Prieš prietaisą nustatydami, keisdami reikmenis ar tiesiog padėdami į šalį, visuomet ištraukite maitinimo kabelio kištuką iš elektros lizdo ir / arba iš prietaiso išimkite akumuliatorių.** Ši atsargumo priemonė leis išvengti netikėto elektrinio įrankio įsijungimo.
- ▶ **Nenaudokite elektrinius įrankius saugokite vaikams nepasiekiamoje vietoje. Neleiskite prietaisu naudotis asmenims, kurie nėra su juo susipažinę arba nėra perskaitę šios instrukcijos.** Elektriniai įrankiai yra pavojingi, kai juos naudoja patirties neturintys asmenys.
- ▶ **Elektrinius įrankius ir reikmenis rūpestingai prižiūrėkite. Tikrinkite, ar judančios elektrinio įrankio dalys tinkamai funkcionuoja ir niekur nekliūva, ar nėra sulūžusių ir pažeistų dalių, kurios blogintų įrankio veikimą. Prieš naudojimą pažeistos prietaiso dalys turi būti suremontuotos.** Blogai prižiūrėti elektriniai įrankiai yra daugelio nelaimingų atsitikimų priežastis.
- ▶ **Pjovimo įrankiai visuomet turi būti aštrūs ir švarūs.** Rūpestingai prižiūrėti pjovimo įrankiai su aštriomis pjovimo briaunomis mažiau tringa ir yra lengviau valdomi.



- ▶ **Elektrinį įrankį, reikmenis, keičiamuosius įrankius ir t. t. naudokite pagal šias instrukcijas. Taip pat atsižvelkite į darbo sąlygas ir atliekamo darbo pobūdį.** Elektrinius įrankius naudojant ne pagal paskirtį, gali kilti pavojingos situacijos.
- ▶ **Priziūrėkite rankenas, kad jos ir jų laikymo paviršiai visada būtų sausi, švarūs ir neriebaluoti.** Slidžios rankenos ir jų laikymo paviršiai negali užtikrinti elektrinio įrankio saugaus naudojimo ir valdymo kontrolės nenumatytoje situacijoje.

Akumulatorinio įrankio naudojimas ir elgesys su juo

- ▶ **Akumulatoriams įkrauti naudokite tik tuos kroviklius, kuriuos rekomenduoja gamintojas.** Kroviklį, tinkantį tik nurodytiems akumuliatorių tipams, naudojant kitiems akumulatoriams įkrauti, kyla gaisro pavojus.
- ▶ **Elektriniuose įrankiuose naudokite tik konkrečiai jiems skirtus akumulatorius.** Naudojant kitokius akumulatorius, kyla pavojus susižaloti ir sukelti gaisrą.
- ▶ **Nenaudojamo akumulatoriaus nelaikykite šalia sąvaržėlių, monetų, raktų, vinių, varžtų ar kitokių smulkių metalinių daiktų, kurie galėtų trumpai sujungti akumulatoriaus kontaktus.** Trumpai sujungus akumulatoriaus kontaktus, yra pavojus nusidenginti ar sukelti gaisrą.
- ▶ **Netinkamai naudojant akumuliatorių, iš jo gali ištekėti skystis. Venkite kontakto su šiuo skystičiu. Jei skystčio atsitiktinai pateko ant odos, nuplaukite ją vandeniu, jei pateko į akis - gerai praplaukite jas vandeniu ir nedelsdami kreipkitės į gydytoją.** Akumulatoriaus skystis gali sudirginti arba chemiškai nudeginti odą.
- ▶ **Nenaudokite pažeisto arba perdirbto akumulatoriaus.** Pažeisti arba perdirbti akumulatoriai gali funkcionuoti nenumatytai, todėl gali kelti gaisro, sprogo ar sužalojimų pavojų.
- ▶ **Akumuliatorių saugokite nuo ugnies ir per aukštos temperatūros.** Ugnies arba didesnės kaip 130 °C (265 °F) temperatūros veikiamas akumulatorius gali sprogti.
- ▶ **Laikykites visų įkrovimo instrukcijų ir akumuliatorių arba akumulatorinį įrankį visada įkraukite tik eksploatavimo instrukcijoje nurodytame temperatūrų diapazone.** Netinkamas įkrovimas arba įkrovimas už leistino temperatūrų diapazono ribų gali sugadinti akumuliatorių ir padidinti gaisro pavojų.

Techninė priežiūra

- ▶ **Savo elektrinį įrankį patikėkite remontuoti tik kvalifikuotam specialistui, tam jis turi naudoti tik originalias atsargines dalis.** Taip galima užtikrinti, kad bus išlaikytas prietaiso naudojimo saugumas.
- ▶ **Niekada nevykdysite pažeistų akumuliatorių techninės priežiūros.** Bet kokią akumuliatorių techninę priežiūrą leidžiama vykdyti tik gamintojui arba įgaliotoms klientų aptarnavimo įmonėms.

2.2 Saugos nurodymai smūginiams įrankiams

- ▶ **Dirbdami užsidėkite ausines.** Triukšmas gali pakenkti klausai.
- ▶ **Naudokite prietaiso komplekte esančias papildomas rankenas.** Prietaisui tapus nebevaldomam, galite susižaloti.
- ▶ **Jeigu vykdant darbus keičiamasis įrankis gali paliesti paslėptus elektros laidus, visada laikykite prietaisą už izoliuotų rankenų paviršių.** Dėl kontakto su laidais, kuriais teka elektros srovė, metalinėse prietaiso dalyse taip pat gali atsirasti įtampa, todėl kyla elektros smūgio pavojus.

2.3 Papildomi saugos nurodymai

Žmoniai sauga

- ▶ Prietaisą ir priedus naudokite tik tada, kai jie yra techniškai tvarkingi.
- ▶ Prietaisą ir priedus draudžiama keisti ar atlikti kitokius jų pakeitimus.
- ▶ Keisdami įrankį, mūvėkite apsaugines pirštines, nes naudojamas keičiamasis įrankis ir įrankio griebtuvas įkaista.
- ▶ Priklausomai nuo prietaiso naudojimo sąlygų, jo sukimosi momentas gali būti didelis. Prietaisą visada laikykite tvirtai, abiem rankomis paėmę už tam skirtų rankenų. Naudotojas visada turi būti pasirėngęs atlaikyti dėl galimo įrankio užsiblokavimo kylančią atatrąną.
- ▶ Įsitikinkite, kad šoninė rankena tinkamai sumontuota ir tvarkingai pritvirtinta. Šoninę rankeną visada imkite iš išorinės pusės.
- ▶ Apdirbant medžiaga gali atskilti. Medžiagų skeveldros gali sužaloti odą ir akis. Dirbdami su prietaisu, dėvėkite apsauginius akinius, apsauginį šalną ir klausos apsaugos priemones. Jei nėra dulkių nusiurbimo sistemos, papildomai naudokite kvėpavimo takų apsaugą.
- ▶ Vykdydami sienų ar grindų pragręžimo ar pramušimo kiauurai darbus, apsaugokite kitoje pusėje esančią zoną. Gręžimo kernai ar medžiagos skeveldros gali iškristi arba nukristi ir sužaloti kitus žmones.
- ▶ Kirsdami kalnu lubas, sienas ir grindis visada tvirtai ir saugiai stovėkite. Netikėtai prakirtę galite prarasti pusiausvyrą.



- ▶ Nelieskite besisukančių prietaiso dalių – susižalojimo pavojus!
- ▶ Užtikrinkite, kad vėdinimo plyšiai visada būtų atviri. Nudėgimo pavojus dėl uždengtų vėdinimo plyšių!
- ▶ Prietaisą įjunkite tik tada, kai jį nustatėte į darbinę padėtį.
- ▶ Nedirbkite aplinkoje, kurioje yra daug dulkių.
- ▶ Šlifuojant, pjaustant ir gręžiant kylančiose dulkėse gali būti pavojingų cheminių medžiagų. Štai keli pavyzdžiai: švinas ar dažai švino pagrindu, plytos, betonas ir kiti mūro statiniai, natūralus akmuo ir kiti gaminiai, kurių sudėtyje yra silikato, tam tikra mediena, ažuolas, bukas ir chemiškai apdorota mediena, asbestas arba medžiagos, kurių sudėtyje yra asbesto. Naudodamiesi medžiagų, su kuriomis dirbama, pavojingumo klase, nustatykite poveikį dirbančiajam ir aplink esantiems asmenims. Įmkitės būtinų priemonių, užtikrinančių, kad poveikis liktų saugiame lygmenyje, pvz., naudokite dulkių surinkimo sistemą arba dėvėkite tinkamas kvėpavimo apsaugos priemones. Prie bendrųjų priemonių, skirtų poveikiui sumažinti, priskiriama:
 - ▶ darbas gerai vėdinamoje srityje,
 - ▶ ilgesnio kontakto su dulkėmis vengimas,
 - ▶ dulkių nuvedimas nuo veido ir kūno,
 - ▶ apsauginių drabužių dėvėjimas ir užterštų vietų nuplovimas vandeniu ir muilu.
- ▶ Dažnai darykite pertraukas ir pratimus, užtikrinančius geresnę Jūsų pirštų kraujotaką. Dirbant ilgesnį laiką, vibracijos gali sukelti pirštų, plaštakos ar riešo sąnario kraujagyslių ar nervų sistemos pažeidimus.
- ▶ Nežiūrėkite tiesiai į šviestuvą (šviesos diodą) ir nenukreipkite jo į kito žmogaus veidą. Kyla pavojus apakti.
- ▶ Neleiskite, kad į vidų nepatektų drėgmės. Dėl drėgmės sukkelto trumpojo jungimo galimas gaisras arba nudegimai.
- ▶ Sužalojimo pavojus dėl žemyn krentančių įrankių ir / arba priedų. Prieš pradėdami dirbti, patikrinkite, ar akumulatorius ir sumontuoti priedai yra patikimai pritvirtinti.
- ▶ Prie šio prietaiso netvirtinkite diržo kablo.

Apsauga nuo elektros

- ▶ Prieš pradėdami dirbti, patikrinkite, ar darbo zonoje nėra paslėptų elektros laidų, dujų ar vandentiekio vamzdžių. Netyčia pažeidus elektros kabelį, dujų ar vandens vamzdį, išorinėse metalinėse prietaiso dalyse taip pat gali atsirasti įtampa, kelianti elektros smūgio pavojų, arba gali kilti sprogimo pavojus.

Atsargus elektrinių įrankių naudojimas ir elgesys su jais

- ▶ Įrankiui užsiblokavus, prietaisą nedelsdami išjunkite. Prietaisas gali pakrypti į šoną.
- ▶ Prieš prietaisą padėdami, palaukite, kol jis visiškai sustos.

2.4 Su akumulatoriais elgtis atsargiai

- ▶ **Laikykitės žemiau pateiktų saugaus naudojimo ir darbo su ličio jonų akumulatoriais saugos nuorodų.** Nesilaikant šių nurodymų, galimas odos sudirginimas, sunkūs sužalojimai dėl esdinančio poveikio, cheminiai nudegimai, gaisro ir / arba sprogimo pavojus.
- ▶ Akumulatorius naudokite tik nepriekaištingos techninės būklės.
- ▶ Kad išvengtumėte akumulatoriaus pažeidimų ir sveikatai labai kenksmingų skysčių ištekėjimo, su akumulatoriumi elkitės labai atsargiai!
- ▶ Akumulatorius draudžiama modifikuoti ar kaip nors kitaip jais manipuluoti!
- ▶ Akumulatorius draudžiama ardyti, spausti, kaitinti iki aukštesnės kaip 80 °C (176 °F) temperatūros arba deginti.
- ▶ Nenaudokite ir neįkraukite akumuliatorių, kurie buvo sutrenkti arba kaip nors kitaip pažeisti. Reguliariai tikrinkite, ar nėra Jūsų akumulatoriaus pažeidimo požymių.
- ▶ Niekada nenaudokite utilizuotų arba remontuotų akumuliatorių.
- ▶ Akumulatoriaus arba akumulatorinio elektrinio įrankio niekada nenaudokite vietoje plaktuko.
- ▶ Saugokite akumulatorius nuo tiesioginių saulės spindulių, aukštesnės temperatūros, kibirkščių ir atviro ugnies. Tai gali sukelti sprogimą.
- ▶ Baterijos polių nelieskite pirštais, įrankiais, papuošalais ar kitokiais elektra laidžiais daiktais. Tai gali pažeisti akumuliatorių, taip pat padaryti materialinių nuostolių ir sužaloti.
- ▶ Saugokite akumulatorius nuo lietaus, drėgmės bei skysčių. Įsiskverbusi drėgmė gali sukelti trumpąjį jungimą, elektros smūgį, nudegimą, gaisrą ir sprogimą.
- ▶ Naudokite tik šio tipo akumulatoriams skirtus kroviklius ir elektrinius įrankius. Laikykitės atitinkamoje naudojimo instrukcijoje pateiktų duomenų.
- ▶ Nenaudokite ir nelaikykite akumulatoriaus sprogoje aplinkoje.



- ▶ Jeigu į rankas paimtas akumuliatorius atrodo karštas, jis gali būti sugedęs. Padėkite akumuliatorių matomoje, nedegioje vietoje pakankamu atstumu nuo degių medžiagų. Leiskite akumuliatoriui atvėsti. Jei akumuliatorius po valandos vis dar yra per karštas paimti į rankas, jis yra sugedęs. Kreipkitės į **Hilti** techninės priežiūros centrą, arba perskaitykite šį dokumentą „**Hilti** ličio jonų akumuliatorių saugos ir naudojimo nurodymai“.

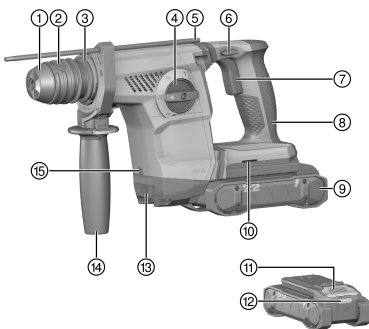


Laikykitės specialiųjų direktyvų, galiojančių ličio jonų akumuliatorių transportavimui, sandėliavimui ir naudojimui. → psl. 87

Perskaitykite **Hilti** ličio jonų akumuliatorių saugos ir naudojimo nurodymus, kuriuos rasite nuskevanę QR kodą, esantį šios naudojimo instrukcijos gale.

3 Aprašymas

3.1 Prietaiso vaizdas



- ① Nuo dulkių saugantis gaubtelis
- ② Įrankio fiksatorius / įrankio griebtuvas
- ③ Jungtis dulkių surinkimo moduliiui
- ④ Funkcijos pasirinkimo jungiklis
- ⑤ Gylio ribotuvas
- ⑥ Dešininės / kairinės eigos perjungiklis su transportinės apsaugos įtaisu
- ⑦ Valdymo jungiklis
- ⑧ Rankena
- ⑨ Akumuliatorius
- ⑩ Montavimo anga, skirta priedui
- ⑪ Akumuliatoriaus atblokovimo mygtukas
- ⑫ Akumuliatoriaus būsenos rodmuo
- ⑬ Jungtis dulkių moduliiui TE DRS-46 (01)
- ⑭ Šoninė rankena
- ⑮ Šviesos diodas darbo zonai apšviesti (šviesos diodas)

3.2 Naudojimas pagal paskirtį

Aprašytasis prietaisas yra akumuliatorinis perforatorius SDS-Plus. Jis yra skirtas plienui, medienai ir mūrui gręžti, betonui ir mūrui gręžti smūginiu būdu, taip pat varžtams įsukti ir atsukti. Prietaisą taip pat galima naudoti lengviems mūro kirtimo ir papildomiems betono apdailos darbams.

- Su šiuo prietaisu naudokite tik B 22 serijos **Hilti** Nuron ličio jonų akumuliatorius. Optimaliam našumui **Hilti** rekomenduoja šiam prietaisui šios naudojimo instrukcijos gale esančioje lentelėje nurodytus akumuliatorius.
- Šiems akumuliatoriams įkrauti naudokite tik šios naudojimo instrukcijos gale esančioje lentelėje nurodytų serijų **Hilti** kroviklius.

3.3 Tiekiamas komplektas

Perforatorius SDS-Plus, šoninė rankena, gylio ribotuvas, tepalas, naudojimo instrukcija.

Dulkių modulis TE DRS-46 (01) siūlomas kaip priedas darbams, kurių metu susidaro mažai dulkių.

Daugiau Jūsų turimam prietaisui skirtų sisteminių reikmenų rasite vietinėje **Hilti Store** arba tinklalapyje www.hilti.group

3.4 Ličio jonų akumuliatoriaus rodmenys

Hilti Nuron ličio jonų akumuliatoriai gali parodyti įkrovos būklę, pranešimus apie klaidą ir akumuliatoriaus būklę.



3.4.1 Įkrovos būklės ir pranešimų apie klaidas rodmenys

ĮSPĖJIMAS

Sužalojimo pavojus krentančiu akumulatoriumi!

- Kai akumulatorius įstatytas, spausdami atblokovimo mygtuką įsitikinkite, kad vėl tinkamai užfiksavote akumuliatorių naudojamame prietaise.

Kad gautumėte vieną iš šių rodmenų, spustelėkite akumulatoriaus atblokovimo mygtuką. Įkrovos būklė bei galimos triktys rodomos nuolat, kol prijungtas prietaisas yra įjungtas.

Būsena	Reikšmė
Keturi (4) šviesos diodai nuolat šviečia žaliai	Įkrovos lygis: nuo 100 iki 71 %
Trys (3) šviesos diodai nuolat šviečia žaliai	Įkrovos lygis: nuo 70 iki 51 %
Du (2) šviesos diodai nuolat šviečia žaliai	Įkrovos lygis: nuo 50 iki 26 %
Vienas (1) šviesos diodas nuolat šviečia žaliai	Įkrovos lygis: nuo 25 iki 10 %
Vienas (1) šviesos diodas lėtai mirksi žaliai	Įkrovos lygis: < 10 %
Vienas (1) šviesos diodas greitai mirksi žaliai	Ličio jonų akumulatorius yra visiškai išsikrovęs. Akumuliatorių įkraukite. Jei šviesos diodai po akumulatoriaus įkrovimo vis dar greitai mirksi, kreipkitės į Hilti techninės priežiūros centrą.
Vienas (1) šviesos diodas greitai mirksi geltonai	Ličio jonų akumulatorius arba su juo sujungtas prietaisas yra veikiamas per didelės apkrovos, yra per karštas, per šaltas arba įvykęs kitoks gedimas. Prietaisą ir akumuliatorių nustatykite į rekomenduojamą darbinę temperatūrą ir naudodami neperkraukite prietaiso. Jei pranešimas rodomas ir toliau, prašome kreiptis į Hilti techninės priežiūros centrą.
Vienas (1) šviesos diodas šviečia geltonai	Ličio jonų akumulatorius ir su juo susijęs prietaisas yra nesuderinami. Kreipkitės į Hilti techninės priežiūros centrą.
Vienas (1) LED šviesos diodas greitai mirksi raudonai	Ličio jonų akumulatorius užblokuotas, jo nebegalima naudoti. Kreipkitės į Hilti techninės priežiūros centrą.

3.4.2 Akumulatoriaus būsenos rodmenys

Norėdami užklausti apie akumulatoriaus būklę, ilgiau nei tris sekundes spauskite atblokovimo mygtuką. Sistema neatpažįsta galimo netinkamo baterijos veikimo, kuris yra neleistino baterijos naudojimo pasekmė, pvz., jei nukritus, ją pažeidus arba esant išorinių pažeidimų dėl karščio.

Būsena	Reikšmė
Visi šviesos diodai šviečia kaip signalinės lemputės, ir po to (1) vienas šviesos diodas nuolat šviečia žalia spalva.	Akumuliatorių galima naudoti toliau.
Visi šviesos diodai šviečia kaip signalinės lemputės, ir po to (1) vienas šviesos diodas greitai mirksi geltona spalva.	Užklausa dėl akumulatoriaus būklės negalėjo būti baigta. Procedūrą pakartokite arba kreipkitės į Hilti techninės priežiūros centrą.
Visi šviesos diodai šviečia kaip signalinės lemputės, ir po to (1) vienas šviesos diodas nuolat šviečia raudona spalva.	Jei prijungtą prietaisą galima naudoti toliau, likusi akumulatoriaus talpa yra mažesnė kaip 50%. Jei prijungto prietaiso toliau naudoti nebegalima, vadinasi akumulatoriaus eksploatavimo laikas baigėsi ir jį reikia pakeisti. Kreipkitės į Hilti techninės priežiūros centrą.



4 Techniniai duomenys

Svoris pagal EPTA Procedure 01 be akumulatoriaus	2,84 kg
Smūgio energija pagal „EPTA-Procedure 05“	2,6 J
Betone / mūre gręžiamų skylių skersmuo (smūginis gręžimas)	4 mm ... 28 mm
Darbinė aplinkos temperatūra	-17 °C ... 60 °C
Laikymo temperatūra	-20 °C ... 70 °C

4.1 Akumulatorius

Akumulatoriaus darbinė įtampa	21,6 V
Akumulatoriaus svoris	Žr. šios naudojimo instrukcijos gale.
Darbinė aplinkos temperatūra	-17 °C ... 60 °C
Laikymo temperatūra	-20 °C ... 40 °C
Akumulatoriaus temperatūra, kai pradeda įkrauti	-10 °C ... 45 °C

4.2 Informacija apie triukšmą ir vibracijos reikšmės pagal EN 60745

Šiuose nurodymuose pateiktos garso slėgio ir vibracijos reikšmės yra išmatuotos taikant standartizuotą matavimo metodą ir gali būti naudojamos elektriniams įrankiams palyginti tarpusavyje. Jos taip pat tinka šių veiksmų poveikiui iš anksto įvertinti. Nurodytieji duomenys yra susieti su pagrindinėmis šio elektrinio įrankio naudojimo sritimis. Jeigu elektrinis įrankis bus naudojamas kitaip, su skirtingais keičiamaisiais įrankiais arba bus nepakankamai techniškai prižiūrimas, šie duomenys gali skirtis nuo nurodytųjų. Tai gali gerokai padidinti šių veiksmų poveikį per visą darbo laikotarpį. Norint tiksliai įvertinti poveikį, reikėtų įvertinti ir laiką, kai prietaisas yra išjungtas, arba, nors ir įjungtas, juo faktiškai nedirbama. Toks įvertinimas gali smarkiai sumažinti poveikio per visą darbo laikotarpį reikšmę. Imkitės papildomų saugos priemonių, kad darbuotojas būtų apsaugotas nuo triukšmo ir / arba vibracijos poveikio, pavyzdžiui, reikalaukite tinkamų elektrinio įrankio ir keičiamųjų įrankių techninės priežiūros, pasirūpinkite, kad darbuotojų rankos visada būtų šiltos, užtikrinkite tinkamą darbo organizavimą.

Skleidžiamo triukšmo lygio reikšmės

Skleidžiamo garso slėgio lygis (L_{pA})	91 dB(A)
Garso slėgio paklaida (K_{pA})	3 dB(A)
Garso galios lygis (L_{WA})	102 dB(A)
Garso galios lygio paklaida (K_{WA})	3 dB(A)

Suminės vibracijų reikšmės

		TE 6-22	TE 6-22 + TE DRS-46 (01)
Betono smūginis gręžimas ($a_{h, HD}$)	B 22-85	10,7 m/s ²	10,6 m/s ²
	B 22-170	10,4 m/s ²	11,3 m/s ²
Kirtimas kaltu	B 22-85	6,3 m/s ²	5,5 m/s ²
	B 22-170	6,3 m/s ²	6,0 m/s ²
Paklaida (K)		1,5 m/s ²	1,5 m/s ²

5 Pasiruošimas darbui

ĮSPĖJIMAS

Sužalojimo pavojus dėl atsitiktinio paleidimo!

- ▶ Prieš įdėdami akumulatorių, įsitinkinkite, kad atitinkamas prietaisas yra išjungtas.
- ▶ Prieš nustatydami prietaisą ar keisdami reikmenis, išimkite akumulatorių.

Laikykites šioje instrukcijoje ir ant prietaiso pateiktų saugos nurodymų ir įspėjimų.



5.1 Akumulatoriaus įkrovimas

1. Prieš pradėdami krauti, perskaitykite kroviklio naudojimo instrukciją.
2. Atkreipkite dėmesį, kad akumulatoriaus ir kroviklio kontaktai turi būti švarūs ir sausi.
3. Akumuliatorių įkraukite leistinu krovikliu. → psl. 81

5.2 Akumulatoriaus įdėjimas

ĮSPĖJIMAS

Sužalojimo pavojus dėl trumpojo jungimo arba krintančio akumulatoriaus!

- ▶ Prieš įdėdami akumuliatorių įsitinkinkite, kad jo ir prietaiso kontaktuose nėra pašalinių daiktų.
 - ▶ Įsitinkinkite, kad akumulatorius visada tinkamai užsifiksavo.
-
1. Prieš pirmąjį kartą naudodami, akumuliatorių pilnai įkraukite.
 2. Akumuliatorių stumkite į prietaisą, kol jis girdimai užsifiksuoja.
 3. Patikrinkite, ar akumulatorius gerai užfiksuotas prietaise.

5.3 Akumulatoriaus išėmimas

1. Spauskite akumulatoriaus atblokavimo mygtuką.
2. Iš gaminio išimkite akumuliatorių.

5.4 Šoninės rankenos montavimas

1. Sukdami rankeną, atlaisvinkite šoninės rankenos laikiklį (užspaudimo juosta).
2. Laikiklį (užspaudimo juosta) virš įrankio griebtuvo iš priekio stumkite pirmyn iki jam skirto griovelio.
3. Šoninę rankeną nustatykite į norimą padėtį.
4. Sukdami rankeną, šoninės rankenos laikiklį (užspaudimo juosta) priveržkite.

5.5 Keičiamojo įrankio įdėjimas



Keičiamojo įrankio kotą šiek tiek patepkite tirstu tepalu.

Naudokite tik originalų „Hilti“ tirstąjį tepalą. Netinkamas tirstasis tepalas gali sukelti prietaiso pažeidimus.

1. Keičiamąjį įrankį įstatykite į įrankio griebtuvą ir, lengvai spausdami, sukite, kol girdimai užsifiksuoja.
2. Patraukę už įstatyto įrankio patikrinkite, ar jis gerai užsifiksavo.
 - ▶ Prietaisas yra parengtas naudoti.

5.6 Keičiamojo įrankio išėmimas

ATSARGIAI

Sužalojimo pavojus dėl keičiamojo įrankio! Keičiamasis įrankis gali būti karštas arba turėti aštrias briaunas.

- ▶ Keisdami keičiamąjį įrankį, mūvėkite apsaugines pirštines.

1. Įrankio fiksatorių traukite atgal, kol atsirems.
2. Išimkite keičiamąjį įrankį.

5.7 Gylio ribotuvo montavimas ir nustatymas

1. Nuspauskite ir laikykite nuspaudę atblokavimo mygtuką ant šoninės rankenos.
2. Gylio ribotuvą iš priekio įstatykite į jam skirtą angą šoninėje rankenoje. Gylio ribotuvą nustatykite pagal norimą gręžimo gylį.
3. Atleiskite atblokavimo mygtuką.
 - ▶ Gylio ribotuvą užfiksuotas.



5.8 Apsaugos nuo kritimo iš aukščio priemonė

ĮSPĖJIMAS

Sužalojimo pavojus krentant įrankiui ir/arba papildomai įrangai!

- ▶ Naudokite tik Jūsų prietaisui rekomenduojamą **Hilti** įrankio laikantįjį lyną.
- ▶ Kiekvieną kartą prieš naudodami patikrinkite įrankio laikančiojo lyno tvirtinimo taško galimus pažeidimus.



Laikykitės Jūsų šalyje galiojančių direktyvų dėl darbo aukštyje.

Kaip apsaugą nuo nukritimo šiam gaminiui naudokite tik **Hilti** apsaugos nuo nukritimo įtaiso ir **Hilti** įrankio laikančiojo lyno #2261970 derinį.

- ▶ Apsaugos nuo nukritimo įtaisą pritvirtinkite papildomos įrangos montavimo angose. Patikrinkite, ar patikimai laikosi.
- ▶ Vieną įrankio laikančiojo lyno karabino kablį pritvirtinkite prie apsaugos nuo nukritimo įtaiso, o kitą karabino kablį – prie laikančiosios struktūros. Patikrinkite, ar abu karabino kabliai patikimai laikosi.



Laikykitės **Hilti** apsaugos nuo nukritimo įtaiso ir **Hilti** įrankio laikančiojo lyno naudojimo instrukcijų.

6 Naudojimas

Laikykitės šioje instrukcijoje ir ant prietaiso pateiktų saugos nurodymų ir įspėjimų.

6.1 Įjungimas ir išjungimas

1. Norėdami prietaisą įjungti, spauskite valdymo jungiklį.
 - ▶ Priklausomai nuo valdymo jungiklio paspaudimo gylio, sukimosi greitį galima tolygiai reguliuoti.
2. Norėdami prietaisą išjungti, atleiskite valdymo jungiklį.

6.2 Sukimosi kryptis

- ▶ Nustatykite sukimosi kryptį.
 - ▶ Jungiklis užsifiksuoja šioje padėtyje.

6.3 Funkcijos pasirinkimo jungiklis

Funkcijos pasirinkimo jungikliu nustatykite norimą funkciją.



Galima žala! Kai prietaisas veikia, funkcijos pasirinkimo jungiklį perjunginėti draudžiama.

Grėžimas be smūgiavimo

- Funkcijos pasirinkimo jungiklį nustatykite į .

Grėžimas su smūgiavimu

- Funkcijos pasirinkimo jungiklį nustatykite į T.

Kalto padėties nustatymas

- Funkcijos pasirinkimo jungiklį nustatykite į ->.

Kirtimas kalnu

- Funkcijos pasirinkimo jungiklį nustatykite į T .

7 Papildomai užsakomi reikmenys

7.1 Dulkių modulis TE DRS-46 (01)

Dulkių modulis TE DRS-46 (01) naudojamas kaip perforatoriaus SDS-Plus reikmuo. Jis greitai ir paprastai tvirtinamas ant perforatoriaus SDS-Plus, juo surenkama didžioji apdirbant kylančių dulkių dalis. Į dulkių modulį yra integruotas siurbimo ventiliatorius. Jį suka atitinkamas elektrinis variklis. Įjungus perforatorių SDS-Plus, modulis maitinamas iš perforatoriaus SDS-Plus akumuliatoriaus.



Šis dulkių modulis nėra tinkamas naudoti apdirbant metalą ir medieną.

Sąlygos: TE DRS-46 (01) OSHA

TE DRS-46 (01) OSHA tenkina direktyvą OSHA 1926.1153 Table 1. Jame yra įrengtas filtro valymo įtaisas.

7.2 Dulkių surinkimo modulio montavimas darbams pakėlus rankas virš galvos

1. Įdėkite keičiamąjį įrankį. → psl. 84
2. Dulkių surinkimo modulį stumkite ant įrankio griebtuvo ir įstatykite jį į perforatoriaus SDS-Plus korpuso griovelį.
3. Dulkių surinkimo modulį sukite prieš laikrodžio rodyklę, kad jį užfiksuotumėte.

8 Priežiūra ir einamasis remontas



ĮSPĖJIMAS

Sužalojimo pavojus kai įstatytas akumuliatorius !

- ▶ Prieš pradėdami bet kokius techninės priežiūros ir einamojo remonto darbus, akumuliatorių iš prietaiso išimkite!

Prietaiso priežiūra

- Atsargiai pašalinkite prilipusius nešvarumus.
- Jei yra, vėdinimo plyšius atsargiai išvalykite sausu, minkštu šepėčiu.
- Korpusą valykite šiek tiek sudrėkinta šluoste. Nenaudokite priemonių, kurių sudėtyje yra silikono, nes jos gali pakenkti plastikinėms detalėms.
- Naudokite švarią, sausą šluostę prietaiso kontaktams valyti.

Ličio jonų akumuliatorių priežiūra

- Niekada nenaudokite akumulatoriaus, jei jo vėdinimo plyšiai yra užsikimšę. Vėdinimo plyšius atsargiai išvalykite sausu, minkštu šepėčiu.
- Saugokite akumuliatorių nuo bereikalingo dulkių ir nešvarumų poveikio. Saugokite akumuliatorių nuo didelės drėgmės (pvz., nepanardinkite į vandenį ir nepalikite stovėti lietuje). Jei akumuliatorius peršlapo, elkitės su juo kaip su pažeistu akumuliatoriumi. Izoliuokite jį nedegiamame konteineryje ir kreipkitės į **Hilti** techninės priežiūros centrą.
- Saugokite akumuliatorių nuo pašalinės alyvos ir tepalo. Saugokite, kad ant akumulatoriaus nenusėtų dulkių ir nešvarumų. Akumuliatorių valykite sausu, minkštu šepėčiu arba švaria, sausa šluoste. Nenaudokite priemonių, kurių sudėtyje yra silikono, nes jos gali pakenkti plastikinėms detalėms. Nelieskite akumuliatoriaus kontaktų ir nepašalinkite nuo kontaktų gamykloje užtepto tepalo.
- Korpusą valykite šiek tiek sudrėkinta šluoste. Nenaudokite priemonių, kurių sudėtyje yra silikono, nes jos gali pakenkti plastikinėms detalėms.

Einamasis remontas

- Reguliariai tikrinkite, ar matomos dalys nėra pažeistos ir ar valdymo elementai veikia nepriekaištingai.
- Nenaudokite pažeisto ir / arba turinčio veikimo sutrikimų prietaiso. Prietaisą nedelsdami pristatykite remontuoti į **Hilti** techninės priežiūros centrą.
- Baigę techninės priežiūros ir einamojo remonto darbus, sumontuokite visus apsauginius įtaisus ir patikrinkite jų veikimą.



Kad eksploatacija būtų patikima, naudokite tik originalias atsargines dalis ir eksploatacines medžiagas. **Hilti** aprobuotas atsargines dalis, eksploatacines medžiagas ir reikmenis savo prietaisui rasite vietinėje **Hilti Store** arba tinklalapyje www.hilti.group

8.1 Nuo dulkių saugančio gaubtelio valymas

- ▶ Įrankio griebtuve esantį nuo dulkių saugantį gaubtelį reguliariai valykite švaria sausa šluoste.
- ▶ Sandarinimo briaunelę atsargiai nuvalykite ir vėl šiek tiek patepkite **Hilti** tirštuoju tepalu.
- ▶ Jei sandarinimo briaunelė pažeista, būtinai pakeiskite nuo dulkių saugantį gaubtelį.



9 Akumuliatorių įrankių ir akumuliatorių transportavimas ir sandėliavimas

Transportavimas

ATSARGIAI

Atsitiktinis įjungimas transportuojant !

- ▶ Savo prietaisus visada transportuokite tik išėmę akumulatorius!
- ▶ Išimkite akumuliatorių/akumulatorius.
- ▶ Akumuliatorių niekada netransportuokite sumetę į krūvą su kitais daiktais. Transportuojamus akumulatorius būtina saugoti nuo stiprių smūgių ir vibracijos, taip pat izoliuoti nuo bet kokių elektrai laidžių medžiagų ir kitų akumuliatorių, kad jie nesiliestų su kitų akumuliatorių poliais ir nesukeltų trumpojo jungimo. **Laikykitės eksploatavimo vietoje galiojančių akumuliatorių transportavimo direktyvų.**
- ▶ Akumulatorius draudžiama siųsti paštu. Jei norite siųsti nepažeistus akumulatorius, kreipkitės į pervežimų įmonę.
- ▶ Prieš kiekvieną naudojimą ir po ilgesnio transportavimo patikrinkite, ar prietaisas ir akumulatoriai nepažeisti.

Sandėliavimas

ISPĖJIMAS

Atsitiktinis pažeidimas dėl sugedusių ar išsiliejusių akumuliatorių !

- ▶ Savo prietaisus visada laikykite tik išėmę akumulatorius!
- ▶ Prietaisas ir akumuliatorių laikykite vėsioje ir sausoje vietoje. Atkreipkite dėmesį į ribines temperatūros vertes, nurodytas skyriuje "Techniniai duomenys".
- ▶ Akumulatoriaus nelaikykite ant kroviklio. Akumuliatorių visada nuimkite nuo kroviklio po įkrovimo proceso.
- ▶ Nelaikykite akumulatoriaus saulėje, ant šilumos šaltinių ar už lango stiklo.
- ▶ Prietaisą ir akumulatorius laikykite vaikams bei neįgaliesiems asmenims neprieinamoje vietoje.
- ▶ Prieš kiekvieną naudojimą ir po ilgesnio sandėliavimo patikrinkite, ar prietaisas ir akumulatoriai nepažeisti.

10 Pagalba sutrikus veikimui

Visų sutrikimų atvejais atkreipkite dėmesį į akumulatoriaus įkrovos lygio ir sutrikimų rodmenį. Žr. skyrių **Ličio jonų akumulatoriaus rodmenys**.

Pasitaikius sutrikimų, kurie nėra aprašyti šioje lentelėje arba kurių negalite pašalinti patys, kreipkitės į **Hilti** techninės priežiūros centrą.

Sutrikimas	Galima priežastis	Sprendimas
Valdymo jungiklio negalima paspausti arba jis yra užblokuotas.	Dešininės / kairinės eigos perjungiklis yra vidurinėje padėtyje.	▶ Dešininės / kairinės eigos perjungiklį pastumkite į kairę arba į dešinę.
Prietaiso velenas nesisuka.	Akumulatorius netinkamai įstatytas.	▶ Užfiksuokite akumuliatorių – turi pasigirsti spragtelėjimas.
	Dešininės / kairinės eigos perjungiklis yra vidurinėje padėtyje.	▶ Dešininės / kairinės eigos perjungiklį pastumkite į kairę arba į dešinę.
	Funkcijos pasirinkimo jungiklis neužfiksuotas arba yra padėtyje „Kirtimas kaltu“ T ar „Kalto padėties nustatymas“ -3 .	▶ Prietaisui neveikiant, funkcijos pasirinkimo jungiklį nustatykite į padėtį „Grėžimas be smūgiavimo“ ⚡ arba „Smūginis grėžimas“ ⚡T .
Prietaisas nesmūgiuoja.	Prietaisas per šaltas.	▶ Prietaisą padėkite ant grindų ir leiskite jam veikti tuščiaja eiga. Jeigu reikia, pakartokite, kol smūginis mechanizmas pradės veikti.
	Funkcijos pasirinkimo jungiklis yra padėtyje „Grėžimas be smūgiavimo“ ⚡ .	▶ Funkcijos pasirinkimo jungiklį nustatykite į padėtį „Smūginis grėžimas“ ⚡T .



Sutrikimas	Galima priežastis	Sprendimas
Akumulatorius išsikrauna greičiau nei paprastai.	Akumulatoriaus būklė nėra optimali.	▶ Užklauskite akumulatoriaus būklės. → psl. 81
Akumulatorius neužsifiksuoja girdimu spragtelėjimu.	Užterštas akumulatoriaus fiksatorius.	▶ Fiksatorių išvalykite ir iš naujo įdėkite akumulatorių.
Akumulatoriaus šviesos diodai nieko nerodo	Akumulatorius yra sugedęs	▶ Kreipkitės į Hilti techninės priežiūros centrą.
Didelio karščio susidarymas prietaise arba akumulatoriuje	Elektrinės įrangos gedimas	▶ Prietaisą nedelsdami išjunkite. Akumulatorių išimkite ir stebėkite. Leiskite jam atvėsti. Susisiekite su Hilti techninės priežiūros centru.
Įrankio neįmanoma ištraukti iš griebtuvo.	Įrankio griebtuvas nėra iki galo atitrauktas.	▶ Įrankio fiksatorių traukite atgal, kol atsirems, ir įrankį išimkite.
Įrankis negrežia.	Prietaisas perjungtas į kairinę eigą.	▶ Dešininės / kairinės eigos perjungiklį nustatykite į dešininės eigos padėtį.
	Funkcijos pasirinkimo jungiklis yra padėtyje „Grežimas be smūgiavimo“ .	▶ Funkcijos pasirinkimo jungiklį nustatykite į padėtį „Smūginis grežimas“ .

11 Utilizavimas

ĮSPĖJIMAS

Sužalojimo pavojus dėl netinkamo utilizavimo! Išėinančios dujos ir ištekantys skystis kelia pavojų sveikatai.

- ▶ Pažeistų akumuliatorių nesiųskite paštu ir nepervežkite!
- ▶ Kad būtų išvengta trumpojo jungimo, jungtis uždenkite elektrai nelaidžia medžiaga.
- ▶ Akumulatorius utilizuokite taip, kad jie negalėtų patekti į vaikų rankas.
- ▶ Akumuliatorių pristatykite utilizuoti į savo **Hilti Store** arba kreipkitės į vietinę kompetentingą utilizavimo įmonę.

Didelė **Hilti** prietaisų dalis yra pagaminta iš medžiagų, kurias galima perdirbti. Būtina antrinio perdirbimo sąlyga yra tinkamas medžiagų išrūšiavimas. Daugelyje šalių **Hilti** priims Jūsų nebenaudojamą prietaisą perdirbti. Apie tai galite pasiteirauti artimiausiame **Hilti** techninės priežiūros centre arba savo prekybos konsultanto.



- ▶ Elektrinių įrankių, elektroninių prietaisų ir akumuliatorių neišmeskite į buitinius šiukšlynus!

12 Gamintojo teikiama garantija

- ▶ Kilus klausimų dėl garantijos sąlygų, kreipkitės į vietinį **Hilti** partnerį.

13 Daugiau informacijos

Daugiau informacijos apie valdymą, techniką, aplinką ir perdirbimą rasite šiuo adresu: qr.hilti.com/manual?id=2264935&id=2264937

Šią nuorodą taip pat rasite dokumentacijos gale kaip QR kodą.



Orijinal kullanım kılavuzu

1 Dokümantasyon verileri

1.1 Bu doküman için

- Çalıştırmadan önce bu dokümanı okuyunuz. Bu, güvenli çalışma ve arızasız kullanım için ön koşuldur.
- Bu dokümanda ve ürün üzerinde bulunan güvenlik ve uyarı bilgilerine dikkat ediniz.
- Kullanım kılavuzunu her zaman ürün üzerinde bulundurunuz ve ürünü sadece bu kılavuz ile birlikte başka kişilere veriniz.

1.2 Resim açıklaması

1.2.1 Uyarı bilgileri

Uyarı bilgileri, ürün ile çalışırken ortaya çıkabilecek tehlikelere karşı uyarır. Aşağıdaki uyarı metinleri kullanılır:

TEHLİKE

TEHLİKE !

- ▶ Ağır vücut yaralanmalarına veya doğrudan ölüme sebep olabilecek tehlikeler için.

İKAZ

İKAZ !

- ▶ Ağır yaralanmalara veya ölüme neden olabilecek tehlikeler için.







DİKKAT

DİKKAT !

- ▶ Vücut yaralanmalarına veya maddi hasarlara yol açabilecek olası tehlikeli durumlar için.


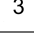


1.2.2 Kullanım kılavuzundaki semboller

Bu kullanım kılavuzunda aşağıdaki semboller kullanılmıştır:

	Kullanım kılavuzuna dikkat edilmelidir
	Kullanım uyarıları ve diğer gerekli bilgiler
	Geri dönüşümlü malzemeler ile çalışma
	Elektrikli aletleri ve aküleri evdeki çöplere atmayınız
	Hilti Lityum İyon akü
	Hilti Şarj cihazı

1.2.3 Resimlerdeki semboller

Resimlerde aşağıdaki semboller kullanılmıştır:




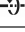


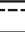



	Bu sayılar, kullanım kılavuzunun başlangıcındaki ilgili çizime atanmıştır.
	Numaralandırma, resimdeki çalışma adımlarının sırasını göstermektedir ve metindeki çalışma adımlarından farklı olabilir.
	Pozisyon numaraları Genel bakış resminde kullanılır ve Ürüne genel bakış bölümündeki açıklama numaralarına referans niteliğindedir.
	Bu işaret, ürün ile çalışırken dikkatinizi çekmek için koyulmuştur.



1.3 Ürüne bağlı semboller

1.3.1 Üründeki semboller

Üründe aşağıdaki semboller kullanılabilir:

	Ürün, iOS ve Android platformları ile uyumlu NFC teknolojisini destekler.
	Darbesiz delme
	Darbe ile delme (darbeli delme)
	Keski konumlandırma
	Keskileme
	Sağa/Sola doğru çalışma
n_0	Ölçüm rölanti devir sayısı
	Doğru akım
	Lityum İyon akü
	Aküyü asla darbe aleti olarak kullanmayınız.
	Aküyü düşürmeyiniz. Darbe almış veya hasar görmüş bir aküyü kullanmayınız.

1.4 Ürün bilgileri

HILTI ürünleri profesyonel kullanıcıların kullanımı için öngörülmüştür ve sadece yetkili personel tarafından kullanılabilir ve bakımı yapılabilir. Bu personel, meydana gelebilecek tehlikeler hakkında özel olarak eğitim görmüş olmalıdır. Aletin ve ilgili yardımcı gereçlerin eğitimsiz personel tarafından usulüne uygun olmayan şekilde kullanılması ve amaçları dışında çalıştırılması sonucu tehlikeli durumlar söz konusu olabilir. Tip tanımı ve seri numarası, tip plakası üzerinde belirtilmiştir.

► Seri numarasını aşağıdaki tabloya aktarınız. Ürün bilgileri acente veya servis merkezini aradığınızda sorulabilir.

Ürün bilgileri

Kırıcı-delici SDS-Plus	TE 6-22
Nesil	05
Seri no.	

1.5 Uygunluk beyanı

Üretici burada tanımlanan ürünün geçerli yasalara ve standartlara uygun olduğunu kendi sorumluluğunda beyan eder. Bu dokümanın sonunda uygunluk beyanının bir kopyasını bulabilirsiniz.

Teknik dokümantasyonlar eklidir:

Hilti Entwicklungsgesellschaft mbH | Zulassung Geräte | Hiltistraße 6 | 86916 Kaufering, DE

2 Güvenlik

2.1 Elektrikli el aletleri için genel güvenlik uyarıları

⚠ İKAZ Bu elektrikli el aletine yönelik tüm güvenlik uyarılarını, talimatları, resimli açıklamaları ve teknik verileri dikkatlice okuyunuz. Aşağıdaki talimatlara uyulmaması durumunda elektrik çarpması, yangın ve/veya ağır yaralanmalar söz konusu olabilir.

Tüm güvenlik uyarılarını ve kullanım talimatlarını muhafaza ediniz.

Güvenlik uyarılarında kullanılan "Elektrikli el aleti terimi, şebeke işletimli elektrikli el aletleri (şebeke kablosu ile) veya akü işletimli elektrikli el aletleri (şebeke kablosu olmadan) ile ilgilidir.



İş yeri güvenliği

- ▶ **Çalışma alanınızı temiz ve aydınlık tutunuz.** Düzensiz veya aydınlatma olmayan çalışma alanları kazalara yol açabilir.
- ▶ **Yanıcı sıvıların, gazların veya tozların bulunduğu patlama tehlikesi olan yerlerde elektrikli el aleti ile çalışmayınız.** Elektrikli el aletleri, toz veya buharı yakabilecek kıvılcım oluşturur.
- ▶ **Elektrikli el aletini kullanırken çocukları ve diğer kişileri uzak tutunuz.** Dikkatiniz dağılırsa aletin kontrolünü kaybedebilirsiniz.

Elektrik güvenliği

- ▶ **Elektrikli el aletinin bağlantı fişi prize uygun olmalıdır. Fiş hiçbir şekilde değiştirilmemelidir. Adaptör fişini topraklama korumalı elektrikli el aletleri ile birlikte kullanmayınız.** Değiştirilmemiş fişler ve uygun prizler elektrik çarpması riskini azaltır.
- ▶ **Borular, radyatörler, fırınlar ve buzdolapları gibi toprağa temas eden üst yüzeylere vücudunuzla temas etmekten kaçınınız.** Vücudunuzun toprakla teması var ise yüksek bir elektrik çarpması riski söz konusudur.
- ▶ **Elektrikli el aletini yağmurdan veya ıslaklıktan uzak tutunuz.** Elektrikli el aletine su girmesi, elektrik çarpması riskini artırır.
- ▶ **Elektrikli el aletini taşımak, asmak veya fişi prizden çekmek için bağlantı kablosunu kullanım amacı dışında kullanmayınız. Bağlantı kablosunu sıcaktan, yağdan, keskin kenarlardan ve hareketli parçalardan uzak tutunuz.** Hasarlı veya dolanmış bağlantı kabloları elektrik çarpması riskini artırır.
- ▶ **Elektrikli bir el aleti ile açık alanda çalışacaksanız, sadece dışarıda kullanımına izin verilen uzatma kabloları kullanınız.** Dış mekanlar için uygun olan uzatma kablolarının kullanılması elektrik çarpması riskini azaltır.
- ▶ **Elektrikli el aleti işletiminin nemli ortamda yapılması kaçınılmaz ise bir kaçak akım koruma şalteri kullanınız.** Bir kaçak akım koruma şalterinin kullanımı elektrik çarpması riskini azaltır.

Kişilerin güvenliği

- ▶ **Dikkatli olunuz, ne yaptığınıza dikkat ediniz ve elektrikli el aleti ile mantıklı bir şekilde çalışınız.** Yorgunsanız veya uyuşturucu, alkol veya ilaç etkisi altında olduğunuzda elektrikli el aleti kullanmayınız. Elektrikli el aletini kullanırken bir anlık dikkatsizlik ciddi yaralanmalara neden olabilir.
- ▶ **Kişisel koruyucu donanım ve her zaman bir koruyucu gözlük takınız.** Elektrikli el aletinin türüne ve kullanımına göre toz maskesi, kaymayan güvenlik ayakkabısı, koruyucu kask veya kulaklık gibi kişisel koruyucu donanımların kullanılması yaralanma riskini azaltır.
- ▶ **İstem dışı çalışmayı önleyiniz. Güç kaynağına ve/veya aküyü bağlamadan, girişini yapmadan veya taşımadan önce elektrikli el aletinin kapalı olduğundan emin olunuz.** Elektrikli el aletini taşırken parmağınız şalterde ise veya alet açık konumda güç kaynağına takılırsa bu durum kazalara yol açabilir.
- ▶ **Elektrikli el aletini devreye almadan önce ayar aletlerini veya vidalama anahtarlarını çıkartınız.** Dönen bir alet parçasında bulunan bir alet veya alet anahtar yaralanmalara yol açabilir.
- ▶ **Aşırı bir vücut hareketinden sakınınız. Güvenli bir duruş sağlayınız ve her zaman dengeli tutunuz.** Böylece beklenmedik durumlarda elektrikli el aletini daha iyi kontrol edebilirsiniz.
- ▶ **Uygun kıyafetler giyiniz. Bol kıyafetler giymeyiniz veya takı takmayınız. Saçları, kıyafetleri ve eldivenleri hareket eden parçalardan uzak tutunuz.** Bol kıyafetler, takı veya uzun saçlar hareket eden parçalara takılabilir.
- ▶ **Toz emme ve tutma tertibatları monte edilebiliyorsa bunların bağlı olduğundan ve doğru kullanıldığından emin olunuz.** Bu toz emme tertibatının kullanımı tozdan kaynaklanabilecek tehlikeleri azaltabilir.
- ▶ **Kendi güvenliğinizi riske atmayınız ve elektrikli el aletleri kullanımında son derece tecrübeli olsanız bile ilgili güvenlik kurallarını ihlal etmeyiniz.** Dikkatsiz kullanım saniyeler içerisinde ciddi yaralanmalara neden olabilir.

Elektrikli el aletinin kullanımı ve çalıştırılması

- ▶ **Aleti çok fazla zorlamayın. Çalışmanız için uygun olan elektrikli el aletini kullanın.** Uygun elektrikli el aleti ile bildirilen hizmet alanında daha iyi ve güvenli çalışsınız.
- ▶ **Şalteri bozuk olan elektrikli el aletini kullanmayınız.** Açılıp kapatılmayan bir elektrikli el aleti tehlikelidir ve tamir edilmesi gerekir.
- ▶ **Alet ayarlarını yapmadan, aksesuar parçalarını değiştirmeden veya aleti bir yere koymadan önce fiş prizden ve/veya (çıkartılabilir) aküyü aletten çıkarınız.** Bu önlem, elektrikli el aletinin istem dışı çalışmasını engeller.
- ▶ **Kullanılmayan elektrikli el aletlerini çocukların erişemeyeceği yerde muhafaza edin. Aleti iyi tanımayan veya bu talimatları okumamış kişilere aleti kullanırmayınız.** Elektrikli el aletleri bilgisiz kişiler tarafından kullanılırsa tehlikelidir.
- ▶ **Elektrikli el aletlerinin ve aksesuarlarının bakımını titizlikle yapınız. Hareketli parçaların kusursuz çalıştığı ve sıkışmadığı, parçaların kırılıp kırılmadığı veya hasar görüp görmediği, elektrikli el aleti**



fonksiyonlarının kısıtlanma durumlarını kontrol ediniz. **Hasarlı parçaları aleti kullanmadan önce tamir ettiriniz.** Birçok kazanın nedeni bakımı kötü yapılan elektrikli el aletleridir.

- ▶ **Kesme aletlerini keskin ve temiz tutun.** Özenle bakımı yapılmış keskin bıçak kenarı olan kesme aletleri daha az sıkışır ve kullanımı daha rahattır.
- ▶ **Elektrikli el aletini, aksesuarları, ek aletleri vb. bu talimatlara göre kullanın. Çalışma şartlarını ve yapılacak işi de ayrıca göz önünde bulundurun.** Elektrikli el aletlerinin öngörülen kullanımı dışında kullanılması tehlikeli durumlara yol açabilir.
- ▶ **Tutamağı ve tutamak yüzeylerini daima temiz ve yağ ve gresten arındırılmış durumda tutunuz.** Kaygan tutamaklar ve tutamak yüzeyleri güvenli bir kullanımı ve öngörülemez durumlarda elektrikli el aletinin kontrolünü engeller.

Aküli el aletinin kullanımı ve çalıştırılması

- ▶ **Aküleri sadece üretici tarafından tavsiye edilen şarj cihazları ile şarj ediniz.** Belirli bir akü için uygun olan bir şarj cihazı, başka akülerle kullanılırsa yanma tehlikesi vardır.
- ▶ **Elektrikli el aletlerinde sadece bunun için öngörülen aküler kullanılmalıdır.** Başka akülerin kullanılması yaralanmalara ve yanma tehlikelerine yol açabilir.
- ▶ **Kullanılmayan aküleri, kontakların köprülmesine sebep olabilecek ataçlar, madeni paralar, anahtarlar, çiviler, vidalar veya diğer küçük metal cisimlerden uzak tutunuz.** Akü kontakları arasındaki kısa devre yanmalara veya alev oluşumuna sebep olabilir.
- ▶ **Yanlış kullanımda aküden sıvı çıkabilir. Bunlar ile teması önleyiniz. Yanlışlıkla temasta su ile durulayınız. Sıvı gözlere temas ederse ayrıca doktor yardımı isteyiniz.** Dışarı akan akü sıvısı cilt tahrişine ve yanmalara yol açabilir.
- ▶ **Hasarlı veya değiştirilmiş aküleri kullanmayınız.** Hasarlı veya değiştirilmiş aküler öngörülemez şekilde yangın, patlama veya yaralanma tehlikesi içeren tutumlara neden olabilir.
- ▶ **Aküleri açık ateş yakınına koymayınız veya yüksek sıcaklıklara maruz bırakmayınız.** Açık ateş veya 130°C'nin (265°F) üzerinde sıcaklıklar patlama tehlikesine neden olabilir.
- ▶ **Tüm şarj talimatlarına uyunuz ve aküyü veya akülü aleti kullanım kılavuzunda öngörülen sıcaklık aralığının dışında şarj etmeyiniz.** Hatalı şarj veya öngörülen sıcaklık aralığının dışındaki şarj işlemleri akünün zarar görmesine ve yangın tehlikesine neden olabilir.

Servis

- ▶ **Elektrikli el aletinizi sadece kalifiye uzman personele ve sadece orijinal yedek parçalar ile tamir ettiriniz.** Böylece aletin güvenliğinin korunduğundan emin olunur.
- ▶ **Hasarlı akülere bakım yapmayınız.** Akülere yönelik tüm bakım çalışmaları sadece üretici veya yetkili müşteri hizmetleri tarafından yapılmalıdır.

2.2 Kırcı-delici için güvenlik uyarıları

- ▶ **Kulaklık takınız.** Aşırı sestten dolayı duyma kaybı meydana gelebilir.
- ▶ **Aletle birlikte verilen ek tutamakları kullanınız.** Kontrol kaybı yaralanmalara yol açabilir.
- ▶ **Ek aletin gizli elektrik kablolarına temas edebileceği yerlerde çalışıyorsanız aleti izole edilmiş tutamak yüzeyinden tutunuz.** Elektrik ileten bir hat ile temasta metal parçalar da gerilim altında kalır ve elektrik çarpmasına neden olabilir.

2.3 Ek güvenlik uyarıları

Kişilerin güvenliği

- ▶ **Ürün ve aksesuar sadece teknik açıdan uygun durumda kullanınız.**
- ▶ **Ürün veya aksesuar üzerinde asla manipülasyon veya değişiklik yapılmamalıdır.**
- ▶ **Ek alet ve alet bağlantı yeri kullanımda ısındığından dolayı alet değiştirmek için koruyucu eldiven takınız.**
- ▶ **Ürün, uygulama alanlarına uygun yüksek bir torka sahiptir. Ürünü her zaman iki elinizle öngörülen tutamaklardan sıkıca tutunuz. Kullanıcı, aniden bloke olabilecek bir alete karşı hazırlıklı olmalıdır.**
- ▶ **Yan tutamağın doğru monte edildiğinden ve usulüne uygun şekilde sabitlendiğinden emin olunuz. Yan tutamağı her zaman dış kısmından tutunuz.**
- ▶ **İşlenmesi nedeniyle malzeme sıçrayabilir. Etrafa sıçrayan parçalar vücudu ve gözleri yaralayabilir. Ürünün kullanımı sırasında koruyucu gözlük, koruyucu kask ve kulaklık kullanınız. Toz emme tertibatı kullanıyorsanız, ilave bir hafif solunum koruma maskesi kullanınız.**
- ▶ **Kırma çalışmalarında, çalışılacak yerin karşı tarafında bulunan bölgeyi emniyete alınız. Kırılan parçalar dışarı ve / veya yere düşebilir ve diğer kişilerin yaralanmasına sebep olabilir.**
- ▶ **Tavanda, duvarda ve zeminde keskinle yaparken güvenli ve sabit bir duruş sağlamaya dikkat ediniz. Ani bir kırma hareketi dengenizi bozabilir.**
- ▶ **Dönen parçalara temas etmekten kaçınınız - Yaralanma tehlikesi!**



- ▶ Havalandırma deliklerini her zaman açık bırakınız. Üzeri kapatılan havalandırma delikleri nedeniyle yanma tehlikesi!
- ▶ Ürünü ancak çalışma konumuna getirdikten sonra çalıştırınız.
- ▶ Çok tozlu ortamlarda çalışmayınız.
- ▶ Taşlama, zımparalama, kesme ve delme işlemleri sonucunda oluşan tozlar tehlikeli kimyasallar içerebilir. Bazı örnekler şunlardır: Kurşun temelli kurşun veya boya; Tuğla, beton ve diğer duvar ürünleri, doğal taş ve diğer silikat içeren ürünler; Meşe, kayın gibi belirli ahşaplar ve kimyasal işlem görmüş ahşap; Asbest veya asbest içerikli malzemeler. Çalışılan malzemenin tehlike sınıfına göre kullanıcıyı ve çevredeki kişilerin maruziyetini belirleyiniz. Maruziyeti güvenli bir seviyede tutmak için bir toz toplama sisteminin kullanımı veya uygun bir solunum koruma maskesinin kullanımı gibi gerekli önlemleri alınız. Maruziyeti azaltmaya yönelik genel önlemler aşağıdakilerdir:
 - ▶ İyi havalandırılan bir alanda çalışın,
 - ▶ Toz ile uzun süreli temastan kaçınma,
 - ▶ Yüz ve vücuttaki tozları giderme,
 - ▶ Koruyucu kıyafet kullanma ve maruz kalan alanları su ve sabunla yıkama.
- ▶ Parmaklarınızdaki kan dolaşımının daha iyi olması için sık sık molalar veriniz ve parmak egzersizleri yapınız. Uzun süren çalışmalarda yüksek titreşim, parmaklar, eller veya bileklerdeki sinir sisteminde veya kan damarlarında rahatsızlıklara neden olabilir.
- ▶ Dekupaj teskeresinin ışığına (LED) doğrudan bakmayınız ve ışığı doğrudan başkalarının yüzüne doğru tutmayınız. "Kör olma tehlikesi" vardır.
- ▶ Nem girişini önleyiniz. Nemin neden olduğu bir kısa devre, yangına veya yanıklara neden olabilir.
- ▶ Aletlerin ve/veya aksesuarların düşmesi nedeniyle yaralanma tehlikesi. Çalışmaya başlamadan önce akünün monte edilmiş olan aksesuarın emniyetli bir şekilde sabitlenip sabitlenmediğini kontrol ediniz.
- ▶ Bu ürüne herhangi bir kemer kancası sabitlemeyiniz.

Elektrik güvenliği

- ▶ Çalışmaya başlamadan önce çalışma alanında üzeri kapatılmış elektrik kablosu, gaz ve su borusu bulunup bulunmadığını kontrol edin. Bir elektrik hattına, bir gaz veya su borusuna zarar verilmesi halinde, ürünün dışındaki metal parçalar elektrik çarpmasına veya patlamaya neden olabilir.

Elektrikli el aletleri ile dikkatli çalışılması ve aletin doğru kullanılması

- ▶ Takımın bloke olması halinde, ürünü derhal kapatınız. Ürün yana doğru kayabilir.
- ▶ Yere koymadan önce ürünün tamamen durmasını bekleyiniz.

2.4 Akülü aletlerin özenli çalıştırılması ve kullanımı

- ▶ **Lityum İyon akülerin kullanılması sırasında aşağıda belirtilen güvenlik uyarılarını dikkate alınız.** Bunlara dikkate alınmaması ciltte tahrişlere, ağır korozif yaralanmalara, kimyasal yanıklara, yangın ve / veya patlamalara neden olabilir.
- ▶ Aküyü sadece teknik olarak kusursuz durumdayken kullanınız.
- ▶ Hasarları önlemek için ve sağlığa ciddi zarar verici sıvıları engellemek için akülere itinalı davranınız!
- ▶ Akülere asla müdahale edilmemeli ve üzerlerinde onarım yapılmamalıdır!
- ▶ Aküler parçalarına ayrılmamalı, ezilmemeli, 80°C (176°F) üzerine ısıtılmamalı veya yakılmamalıdır.
- ▶ Darbeye maruz kalmış veya başka bir hasar görmüş aküleri kullanmayınız. Akülerinizi hasar belirtilerine karşı düzenli olarak kontrol ediniz.
- ▶ Geri dönüştürülmüş veya onarılmış aküleri asla kullanmayınız.
- ▶ Aküyü veya aküyle çalışan bir elektrikli el aletini asla bir şeyi çakmak veya bir şeye vurmak için kullanmayınız.
- ▶ Aküleri asla doğrudan güneş ışığına, aşırı sıcaklık, kıvılcım veya açık ateşe maruz bırakmayınız. Bu durum patlamalara neden olabilir.
- ▶ Akünün kutbuna parmaklarınız, aletler, takılar veya diğer elektriksel olarak iletken nesnelere dokunmayınız. Bu durum aküye hasar verebilir, maddi hasarlara ve yaralanmalara neden olabilir.
- ▶ Aküleri yağmurdan, ıslaklıktan ve sıvılardan uzak tutunuz. Akülerin içine nemin girmesi, kısa devrelere, elektrik çarpmalarına, yanıklara, yangına veya patlamalara neden olabilir.
- ▶ Sadece akü tipi için öngörülmuş olan şarj cihazlarını ve elektrikli el aletlerini kullanınız. Bunun için ilgili kullanımlar kılavuzlarındaki verileri dikkate alınız.
- ▶ Aküyü patlama tehlikesi olan ortamlarda kullanmayınız veya depolamayınız.



- Akü tutulamayacak kadar sıcaksa arızalı olabilir. Pili, yanıcı malzemelere yeterli mesafede, görünür ve yanıcı olmayan bir yere yerleştiriniz. Aküyü soğumaya bırakınız. Akü bir saat sonra hala dokunulamayacak kadar sıcaksa, arızalı demektir. **Hilti** servisiyle irtibat kurunuz veya "**Hilti** Lityum İyon aküler için güvenlik ve kullanım uyarıları" dokümanını okuyunuz.

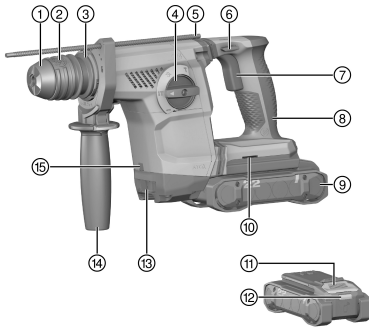


Lityum İyon aküleri taşıma, depolama ve kullanma için geçerli özel yönetmelikleri dikkate alınız.
→ Sayfa 99

Bu kullanım kılavuzunun sonundaki QR kodu tarayarak ulaşabileceğiniz, **Hilti** Lityum İyon aküler için güvenlik ve kullanım uyarılarını okuyunuz.

3 Tanımlama

3.1 Ürüne genel bakış



- ① Tozdan koruma kapağı
- ② Alet kilidi / alet bağlantı yeri
- ③ Toz toplama modülü bağlantısı
- ④ Fonksiyon seçme şalteri
- ⑤ Derinlik mesnedi
- ⑥ Taşıma koruması olan sağa/sola dönüş değiştirme şalteri
- ⑦ Kumanda şalteri
- ⑧ Tutamak
- ⑨ Akü
- ⑩ Aksesuar için montaj aralığı
- ⑪ Akü kilidi açma tuşu
- ⑫ Akü durum göstergesi
- ⑬ Toz modülü bağlantısı TE DRS-4/6 (01)
- ⑭ Yan tutamak
- ⑮ Çalışma alanı aydınlatması (LED)

3.2 Usulüne uygun kullanım

Açıklanan ürün akülü bir kırıcı-delicidir SDS-Plus. Çelikte, ahşapta ve duvarda delme, beton ve duvarda darbeli delme ve civataları sıkma ve sökme işlemlerinde kullanılmak üzere tasarlanmıştır. Ürün ayrıca duvardaki hafif kesikleme işleri ve beton düzeltmek için de kullanılabilir.

- Bu ürün için sadece B 22 tip serisi **Hilti** Nuron Lityum İyon aküleri kullanınız. Optimum performans için **Hilti**, bu ürüne yönelik olarak bu kullanım kılavuzunun sonundaki tabloda belirtilen akülerin kullanılmasını önerir.
- Bu aküler için sadece **Hilti** şarj cihazlarının bu kullanım kılavuzunun sonundaki tabloda belirtilen tip serilerini kullanınız.

3.3 Teslimat kapsamı

SDS-Plus kırıcı-delici, yan tutamak, derinlik mesnedi, gres, kullanım kılavuzu.

Toz modülü TE DRS-4/6 (01), çalışmalar sırasında ortaya çıkan tozun azaltılması için aksesuar olarak sunulur. Ürün için izin verilen diğer sistem ürünlerini **Hilti Store**'da veya şu adreste bulabilirsiniz: www.hilti.group

3.4 Lityum İyon akü göstergeleri

Hilti Nuron Lityum İyon aküler şarj durumunu, hata mesajlarını ve akünün durumunu gösterebilir.

3.4.1 Şarj durumu ve hata mesajları göstergeleri



İKAZ

Düşen akü nedeniyle yaralanma tehlikesi!

- Akü takılıken, kilitleme tuşuna bastıktan sonra, kullandığınız üründe akünün yerine oturduğundan emin olunuz.



Aşağıdaki göstergelerden birini görüntülemek için akünün kilit açma tuşuna kısa süreli basınız. Bağlı olan ürün açık olduğu sürece, şarj durumu ve olası arızalar da sürekli görüntülenir.

Durum	Anlamı
Dört (4) LED sürekli yeşil yanıyor	Şarj durumu: % 100 ila % 71 arası
Üç (3) LED sürekli yeşil yanıyor	Şarj durumu: % 70 ila % 51 arası
İki (2) LED sürekli yeşil yanıyor	Şarj durumu: % 50 ila % 26 arası
Bir (1) LED sürekli yeşil yanıyor	Şarj durumu: % 25 ila % 10 arası
Bir (1) LED yavaşça yeşil renkte yanıp sönüyor	Şarj durumu: < % 10
Bir (1) LED hızlıca yeşil yanıp sönüyor	Lityum İyon akü tamamen deşarj olmuş. Aküyü şarj ediniz. Akünün şarj işleminden sonra LED hala hızlı yanıp sönüyorsa, lütfen Hilti servisiyle irtibat kurunuz.
Bir (1) LED hızlıca sarı yanıp sönüyor	Lityum İyon akü veya buna bağlı ürün aşırı yüklendi, çok sıcak, çok soğuk veya başka bir hata mevcut. Ürünü ve aküyü önerilen çalışma sıcaklığına getiriniz ve kullanırken ürünü aşırı yüke maruz bırakmayınız. Mesaj devam ediyorsa Hilti servisiyle irtibat kurunuz.
Bir (1) LED sarı yanıyor	Lityum İyon akü ve bağlantılı ürün uyumlu değildir. Lütfen Hilti servisine başvurunuz.
Bir (1) LED hızlıca kırmızı yanıp sönüyor	Lityum İyon akü bloke olmuş ve kullanılamaz. Lütfen Hilti servisine başvurunuz.

3.4.2 Akü durumunun göstergeleri

Akü durumunu sorgulamak için, kilit açma tuşuna üç saniyeden fazla basılı tutunuz. Sistem; düşme, delinme, harici ısı hasarları vb. gibi usulüne uygun olmayan kullanım nedeniyle pilde potansiyel hatalı fonksiyon algılamıyor.

Durum	Anlamı
Tüm LED'ler çalışma ışığı olarak yanıyor ve ardından bir (1) LED sürekli yeşil yanıyor.	Akü kullanımına devam edilebilir.
Tüm LED'ler çalışma ışığı olarak yanıyor ve ardından bir (1) LED hızlıca sarı yanıp sönüyor.	Akünün durumuna ilişkin sorgu tamamlanmadı. İşlemi tekrarlayınız veya Hilti servisiyle irtibat kurunuz.
Tüm LED'ler çalışma ışığı olarak yanıyor ve ardından bir (1) LED sürekli kırmızı yanıyor.	Bağlı bir ürünün kullanımına devam edilebiliyorsa, kalan akü kapasitesi %50'nin altındadır. Bağlı bir ürünün kullanımına devam edilemiyorsa, akünün kullanım ömrü dolmuştur ve akü değiştirilmelidir. Lütfen Hilti servisine başvurunuz.

4 Teknik veriler

EPTA Procedure 01 uyarınca aküsüz ağırlık	2,84 kg
EPTA prosedürü 05 uyarınca tek darbe enerjisi	2,6 J
Beton/duvarda delme çapı (darbeli delme)	4 mm ... 28 mm
İşletim sırasındaki ortam sıcaklığı	-17 °C ... 60 °C
Depolama sıcaklığı	-20 °C ... 70 °C

4.1 Akü

Akü çalışma gerilimi	21,6 V
Akü ağırlığı	Bu kullanım kılavuzunun sonuna bakınız
İşletim sırasındaki ortam sıcaklığı	-17 °C ... 60 °C



Depolama sıcaklığı	-20 °C ... 40 °C
Şarj başlangıcında akü sıcaklığı	-10 °C ... 45 °C

4.2 EN 60745 uyarınca ses bilgisi ve titreşim değerleri

Bu talimatlarda belirtilen ses basıncı ve titreşim değerleri, ilgili normlara uygun bir ölçüm metodu ile ölçülmüştür ve elektrikli el aletlerinin birbirleri ile karşılaştırılması için kullanılabilir. Zorlanmaların geçici olarak değerlendirilmesine de uygundur. Belirtilen değerler, elektrikli el aletinin ana kullanım alanlarını temsil eder. Elektrikli el aletinin, farklı ek aletlerle veya yetersiz bakım yapılmış şekilde kullanılması durumunda, veriler sapma gösterebilir. Bu durum, toplam çalışma süresi boyunca zorlanmayı belirgin şekilde yükseltebilir. Doğru bir zorlanma değerlendirmesi için aletin kapatıldığı veya çalışır konumda olduğu ve ayrıca kullanımda olmadığı zamanlar da dikkate alınmalıdır. Bu durum, toplam çalışma süresi boyunca zorlanmayı belirgin şekilde azaltabilir. Kullanıcıyı ses ve/veya titreşimin etkilerinden koruyacak ek güvenlik önlemleri belirleyiniz, örneğin: Elektrikli el aletinin ve ek aletlerin bakımının yapılması, ellerin sıcak tutulması, iş akışlarının düzenlenmesi.

Ses emisyonu değerleri

Emisyon ses basıncı seviyesi (L_{pA})	91 dB(A)
Ses basıncı seviyesi için emniyetsizlik (K_{pA})	3 dB(A)
Ses gücü seviyesi (L_{WA})	102 dB(A)
Ses gücü seviyesi için emniyetsizlik (K_{WA})	3 dB(A)

Toplam titreşim değerleri

		TE 6-22	TE 6-22 + TE DRS-46 (01)
Betonda darbeli delme ($a_{h, HD}$)	B 22-85	10,7 m/sn ²	10,6 m/sn ²
	B 22-170	10,4 m/sn ²	11,3 m/sn ²
Keskileme	B 22-85	6,3 m/sn ²	5,5 m/sn ²
	B 22-170	6,3 m/sn ²	6,0 m/sn ²
Emniyetsizlik (K)		1,5 m/sn ²	1,5 m/sn ²

5 Çalışma hazırlığı

İKAZ

Yaralanma tehlikesi kazara çalışmaya başlama nedeniyle!

- ▶ Aküyü takmadan önce ilgili ürünün kapalı konumda olduğundan emin olunuz.
- ▶ Cihazın ayarlarını yapmadan veya aksesuarları değiştirmeden önce aküyü çıkartınız.

Bu dokümanda ve ürün üzerinde bulunan güvenlik ve uyarı bilgilerine dikkat ediniz.

5.1 Akünün şarj edilmesi

1. Şarj etmeden önce şarj cihazının kullanım kılavuzunu okuyunuz.
2. Akü ve şarj cihazının kontaklarının temiz ve kuru olmasına dikkat ediniz.
3. Aküyü izin verilen şarj cihazında şarj ediniz. → Sayfa 94

5.2 Akünün yerleştirilmesi

İKAZ

Yaralanma tehlikesi kısa devre veya akünün düşmesi nedeniyle!

- ▶ Aküyü yerleştirmeden önce, akü kontaklarında ve ürün içindeki kontaklarda yabancı cisim bulunmadığından emin olunuz.
- ▶ Akünün her zaman tam oturduğundan emin olunuz.

1. İlk kullanım öncesinde akü tamamen şarj edilmelidir.
2. Aküyü ürüne, duyulur şekilde yerine oturana kadar itiniz.
3. Akünün alette emniyetli bir şekilde yerleşip yerleşmediğini kontrol ediniz.



5.3 Akünün çıkartılması

1. Akünün serbest bırakma düğmelerine basınız.
2. Aküyü üründen çıkartınız.

5.4 Yan tutamak montajı 2

1. Yan tutamak tutucusunu (germe bandı) sökmek için tutamağı çeviriniz.
2. Tutamağı (germe bandı), bunun için öngörülen oyuğa kadar alet bağlantı yeri üzerinden öne doğru itiniz.
3. Yan tutamağı istenen konuma konulandırınız.
4. Yan tutamak tutucusunu (germe bandı) germek için tutamağı çeviriniz.

5.5 Ek aletin yerleştirilmesi 3



Ek aletin giriş ucunu gresle hafifçe yağlayınız.
Sadece Hilti'nin orijinal gresini kullanınız. Yanlış bir gres tipi üründe hasara neden olabilir.

1. Ek aleti alet bağlantı yerine takınız ve hafifçe bastırarak duyulur şekilde yerine oturana kadar döndürünüz.
2. Aleti yerleştirdikten sonra çekerek güvenli kilitleme durumunu kontrol ediniz.
 - Ürün kullanıma hazırdır.

5.6 Ek aletin çıkarılması 4



DİKKAT

Ek alet nedeniyle yaralanma tehlikesi! Ek alet sıcak veya keskin kenarlı olabilir.

- Ek aleti değiştirirken koruyucu eldiven takınız.
1. Alet kilidini dayanak noktasına kadar geri çekiniz.
 2. Ek aleti çıkarınız.

5.7 Derinlik mesnedinin montajı ve ayarlanması 5

1. Yan tutamaktaki kilit açma tuşuna basınız ve basılı tutunuz.
2. Derinlik mesnedini yan tutamakta bunun için öngörülmüş olan girişe önden yerleştiriniz. Derinlik mesnedini istenilen delme derinliğine ayarlayınız.
3. Kilit açma tuşunu bırakınız.
 - Derinlik mesnedi kilitlendi.

5.8 Devrilme emniyeti



İKAZ

Düşen alet ve/veya aksesuar nedeniyle yaralanma tehlikesi!

- Sadece ürününüz için tavsiye edilen **Hilti** alet bağlama ipini kullanınız.
- Her kullanımdan önce alet bağlama ipinin sabitleme noktasını olası hasarlar bakımından kontrol ediniz.



Yüksekteki çalışmalar için ulusal yönetmelikleri dikkate alınız.

Bu ürün için devrilme emniyeti olarak sadece **Hilti** düşme koruması ile **Hilti** alet kordonunun #2261970 bir kombinasyonunu kullanınız.

- Düşme emniyetini aksesuarların montaj aralıklarına sabitleyiniz. Güvenli tutuşu kontrol ediniz.
- Alet kordonunun bir karabinini düşme emniyetine ve ikinci karabinini de taşıyıcı yapıya sabitleyiniz. Her iki karabinin de emniyetli bir şekilde sabitlenmiş olup olmadığını kontrol ediniz.



Hilti düşme emniyetinin yanı sıra **Hilti** alet kordonunun kullanım kılavuzlarını da dikkate alınız.



6 Kullanım

Bu dokümanda ve ürün üzerinde bulunan güvenlik ve uyarı bilgilerine dikkat ediniz.

6.1 Açılması ve kapatılması

1. Ürünü açmak için kumanda şalterine basınız.
 - ▶ Kumanda şalterinin basma derinliğine bağlı olarak, devir sayısı kademesiz şekilde ayarlanabilir.
2. Ürünü kapatmak için, kumanda şalterini bırakınız.

6.2 Dönüş yönü

- ▶ Dönüş yönünü ayarlayınız.
- ▶ Şalter bu konumda yerine oturur.


6.3 Fonksiyon seçme şalteri

Fonksiyon seçme şalterini istenen fonksiyona ayarlayınız.




Hasar tehlikesi! Fonksiyon seçme şalterine çalışma esnasında basılmamalıdır.


Darbesiz delme

- Fonksiyon seçme şalterini  konumuna ayarlayınız.


Darbeli delme

- Fonksiyon seçme şalterini  konumuna ayarlayınız.

Keski konumlandırma

- Fonksiyon seçme şalterini  konumuna ayarlayınız.

Keskileme

- Fonksiyon seçme şalterini  konumuna ayarlayınız.

7 Opsiyonel aksesuar

7.1 Toz modülü TE DRS-46 (01)

TE DRS-46 (01) toz modülü kırıcı-delici SDS-Plus için aksesuar olarak kullanılır. Ortaya çıkan tozu çok büyük bir oranda emer ve hızlı ve kolay bir şekilde SDS-Plus kırıcı-deliciye sabitlenebilir. Toz modülüne bir emme fanı entegre edilmiştir. Bu fan ayrı bir motor tarafından tahriklenir. SDS-Plus kırıcı-delicinin çalıştırılması sırasında, modül gerekli akımı SDS-Plus kırıcı-delici aküsünden alır.

Metal ve ahşap zeminlerdeki çalışmalar için bu toz modülü uygun değildir.

Koşullar: TE DRS-46 (01) OSHA

TE DRS-46 (01) OSHA adlı ürün OSHA 1926.1153 yönergesinin gerekliliklerini yerine getirir Table 1. Bir filtre temizleme mekanizması ile donatılmıştır.

7.2 Başı hizasının üzerindeki çalışmalar için toz toplama modülünün takılması

1. Ek aleti takınız. → Sayfa 97
2. Toz toplama modülünü alet bağlantı yerinin üzerine kaydırınız ve SDS-Plus kırıcı-delici gövdesinin oluklarına yerleştiriniz.
3. Kilitlemek için toz toplama modülünü saat yönünün tersine çeviriniz.

8 Bakım ve onarım

İKAZ

Takılı aküden dolayı yaralanma tehlikesi !

- ▶ Tüm bakım ve onarım çalışmalarından önce her zaman aküyü çıkarınız!



Ürün bakımı

- Yapışmış olan kiri dikkatlice çıkarınız.
- Eğer varsa, havalandırma deliklerini kuru, yumuşak bir fırça ile dikkatlice temizleyiniz.
- Gövdeyi sadece hafif nemli bir temizlik bezi ile temizleyiniz. Plastik parçalara yapışabileceğinden silikon içerikli bakım maddeleri kullanmayınız.
- Ürünün kontaklarını temizlemek için temiz, kuru bir bez kullanınız.

Lityum İyon akülerin bakımı

- Bir aküyü asla havalandırma delikleri tıkalıyken kullanmayınız. Havalandırma deliklerini kuru, yumuşak bir fırça ile dikkatlice temizleyiniz.
- Akünün gereksiz toz veya kire maruz kalmasını önleyiniz. Aküyü asla yüksek neme maruz bırakmayınız (örn. suya daldırma veya yağmurda bırakma). Bir akü ıslandıysa, bu aküye hasarlı akü muamelesi yapınız. Yanmayan bir kabın içinde izole ediniz ve **Hilti** servisiyle irtibat kurunuz.
- Aküyü yabancı yağ ve gresten uzak tutunuz. Gereksiz toz veya kirin aküde birikmesini önleyiniz. Aküyü kuru, yumuşak bir fırça veya temiz, kuru bir bezle temizleyiniz. Plastik parçalara yapışabileceğinden silikon içerikli bakım maddeleri kullanmayınız. Akünün kontaklarına dokunmayınız ve fabrika tarafında sürülen gresi kontaklardan temizlemeyiniz.
- Gövdeyi sadece hafif nemli bir temizlik bezi ile temizleyiniz. Plastik parçalara yapışabileceğinden silikon içerikli bakım maddeleri kullanmayınız.

Onarım

- Görünür tüm parçalarda hasar olup olmadığını ve kumanda elemanlarının sorunsuz şekilde çalışıp çalışmadığını düzenli olarak kontrol ediniz.
- Hasar ve/veya fonksiyon arızaları durumunda ürünü çalıştırmayınız. Ürünün derhal **Hilti** servisi tarafından onarılmasını sağlayınız.
- Bakım ve onarım çalışmalarından sonra tüm koruma tertibatlarını yerleştiriniz ve bunları sorunsuz fonksiyon bakımından kontrol ediniz.



Güvenli çalışma için sadece orijinal yedek parçalar ve sarf malzemeleri kullanınız. **Hilti** tarafından onaylanmış, yedek parçaları, aksesuarları ve sarf malzemelerini **Hilti Store** veya şu adreste bulabilirsiniz: www.hilti.group

8.1 Tozdan koruma kapağının temizlenmesi

- ▶ Tozdan koruma kapağını düzenli bir şekilde alet bağlantı yerinden temiz, kuru bir bez ile temizleyiniz.
- ▶ Conta ağızını dikkatlice silerek temizleyiniz ve hafifçe **Hilti** yağı ile yağlayınız.
- ▶ Conta ağızı hasarlı ise tozdan koruma kapağı mutlaka değiştirilmelidir.

9 Akülü aletlerin ve akülerin taşınması ve depolanması

Taşıma



DİKKAT

Taşıma sırasında aletin istem dışı çalışması !

- ▶ Ürünlerinizi her zaman aküler takılı olmadan taşıyınız!
- ▶ Aküleri çıkartınız.
- ▶ Aküleri kesinlikle sıkıca bağlanmamış koruma ile nakletmeyiniz. Nakliye sırasında, aküler aşırı şok ve titreşimlerden korunmalı ve başka akü kutupları ile temas ederek kısa devreye neden olmamaları için, her türlü iletken malzeme veya diğer akülerden izole edilmiş olmalıdır. **Aküler için yerel taşıma talimatlarını dikkate alınız.**
- ▶ Aküler posta ile gönderilmemelidir. Hasarsız aküleri sevk etmek istemeniz halinde, bir nakliye şirketine başvurunuz.
- ▶ Ürünün ve akülerin hasar görmüş olup olmadığını her kullanımdan önce olduğu gibi uzun taşımaldan önce ve sonra kontrol ediniz.

Depolama



İKAZ

Arızalı veya akan aküler nedeniyle beklenmeyen hasar oluşumu !

- ▶ Ürünlerinizi her zaman aküleri yerleştirmeden depolayınız!



- ▶ Ürünü ve aküleri serin ve kuru bir yerde muhafaza ediniz. Teknik verilerde belirtilen sıcaklık sınırı değerlerini dikkate alınız.
- ▶ Aküleri şarj cihazının üzerinde muhafaza etmeyiniz. Şarj işleminden sonra her zaman aküyü şarj cihazından çıkartınız.
- ▶ Aküleri kesinlikle güneşte, ısı kaynakların üzerinde veya cam arkasında muhafaza etmeyiniz.
- ▶ Ürünü ve aküleri çocukların ve yetkisiz kişilerin ulaşamayacağı yerlerde muhafaza ediniz.
- ▶ Ürünün ve akülerin hasar görmüş olup olmadığını her kullanımdan önce olduğu gibi uzun süreli depolamalardan önce ve sonra kontrol ediniz.

10 Arıza durumunda yardım

Tüm arızalarda akünün şarj durumu ve hata göstergesini dikkate alınız. Bkz. Bölüm **Lityum İyon akü göstergeleri**.

Bu tabloda listelenmemiş veya kendi başınıza gideremediğiniz arızalarda lütfen yetkili **Hilti** servisimiz ile irtibat kurunuz.

Arıza	Olası sebepler	Çözüm
Kumanda şalterine basılamıyorken veya bloke olmuş.	Sağa/sola dönüş değiştirme şalteri orta konumda.	▶ Sağa/sola dönüş değiştirme şalterini sağa veya sola doğru bastırınız.
Alet mili dönmüyor.	Akü yerine tamamen takılmamış.	▶ Aküyü duyulabilir bir klik sesi ile yerine oturtunuz.
	Sağa/sola dönüş değiştirme şalteri orta konumda.	▶ Sağa/sola dönüş değiştirme şalterini sağa veya sola doğru bastırınız.
	Fonksiyon seçme şalteri yerine oturmamış veya "Kesileme" T veya "Keski konumlandırma" → konumunda bulunuyor.	▶ Fonksiyon seçme şalterini durma konumunda "Darbesiz delme" ⚡ veya "Darbeli delme" ⚡T konumuna getiriniz.
Darbe yok.	Ürün çok soğuk.	▶ Ürünü zemine yerleştiriniz ve rölantide çalıştırınız. Darbe mekanizması çalışıncaya kadar gerektiği kadar tekrarlayınız.
	Fonksiyon seçme şalteri "Darbesiz delme" konumunda ⚡ .	▶ Fonksiyon seçme şalterini "Darbeli delme" konumuna getiriniz ⚡T .
Akü normalden daha hızlı boşalıyor.	Akünün durumu uygun değil.	▶ Akünün durumunu kontrol ediniz. → Sayfa 94
Akü duyulabilir bir "klik" sesi ile yerine oturmuyor.	Akünün kilit tırnakları kirlenmiş.	▶ Tırnakları temizleyiniz ve aküyü yeniden yerine oturtunuz.
Akünün LED'lerinde hiçbir şey görüntülenmiyor	Akü arızalı	▶ Hilti servisi ile irtibat kurunuz.
Üründe veya aküde yüksek ısı oluşumu.	Elektrik arızası	▶ Ürünü hemen kapatınız. Aküyü çıkartınız ve durumunu inceleyiniz. Soğumaya bırakınız. Hilti servisi ile iletişim kurunuz.
El aleti kilitlenmemiş.	Alet bağlantı yeri tam olarak geri çekilmemiş.	▶ Alet kilitini dayanak noktasına kadar geri çekiniz ve aleti çıkartınız.
El aleti yerinden çıkıyor.	Ürün sola doğru çalışma konumundadır.	▶ Sağa/sola dönüş değiştirme şalterini sağa doğru çalışma konumuna getiriniz.
	Fonksiyon seçme şalteri "Darbesiz delme" konumunda ⚡ .	▶ Fonksiyon seçme şalterini "Darbeli delme" konumuna getiriniz ⚡T .




11 İmha

İKAZ

Usulüne uygun olmayan imha nedeniyle yaralanma tehlikesi! Dışarı çıkan gaz ve sıvılar nedeniyle sağlık sorunları.

- ▶ Hasar görmüş aküleri hiç bir şekilde göndermeyiniz!
- ▶ Kısa devreleri önlemek için, akünün bağlantılarını iletken olmayan bir malzeme ile kapatınız.
- ▶ Aküleri, çocukların ellerine geçmeyecek şekilde imha ediniz.
- ▶ Aküyü size en yakın **Hilti Store**'da imha ediniz veya imha etmek için yetkili şirketinize başvurunuz.

 **Hilti** ürünleri yüksek oranda tekrar kullanılabilen malzemelerden üretilmiştir. Geri dönüşüm için gerekli koşul, usulüne uygun malzeme ayrımıdır. Çoğu ülkede **Hilti** eski aletlerini yeniden değerlendirmek üzere geri alır. Bu konuda **Hilti** müşteri hizmetlerinden veya satış temsilcinizden bilgi alabilirsiniz.



- ▶ Elektrikli el aletlerini, elektronik cihazları ve aküleri evdeki çöplere atmayınız!

12 Üretici garantisi

- ▶ Garanti koşullarına ilişkin sorularınız için lütfen yerel **Hilti** iş ortağınıza başvurunuz.

13 Diğer bilgiler

Kullanım, teknoloji, çevre ve geri dönüşüm hakkında daha fazla bilgi aşağıdaki bağlantıda bulunabilir: qr.hilti.com/manual?id=2264935&id=2264937

Bu bağlantıya dokümanın sonunda bulunan QR kodu taratarak da ulaşabilirsiniz.



دليل الاستعمال الأصلي

1 بيانات المستند

1.1 حول هذا المستند

- اقرأ هذه المستندات بالكامل قبل التشغيل. يعتبر هذا شرطا للعمل بشكل آمن والاستخدام بدون اختلالات.
- تراعى إرشادات الأمان والإرشادات التحذيرية الواردة في هذا المستند وعلى الجهاز.
- احتفظ بدليل الاستعمال دائما مع المنتج، ولا تعطي الجهاز لآخرين إلا مرفقا بهذا الدليل.

2.1 شرح العلامات

1.2.1 إرشادات تحذيرية

تنبه الإرشادات التحذيرية إلى الأخطار الناشئة عند التعامل مع الجهاز. يتم استخدام الكلمات الدلالية التالية:



خطر !

◀ تشير لخطر مباشر يؤدي لإصابات جسدية خطيرة أو إلى الوفاة.



تحذير !

◀ تشير لخطر محتمل قد يؤدي لإصابات جسدية خطيرة أو إلى الوفاة.



احترس !

◀ تشير لموقف خطر محتمل يمكن أن يؤدي لإصابات جسدية أو أضرار مادية.

2.2.1 الرموز في دليل الاستعمال

يتم استخدام الرموز التالية في دليل الاستعمال هذا:

يُرَاعَى دليل الاستعمال	
إرشادات الاستخدام ومعلومات أخرى مفيدة	
التعامل مع مواد قابلة لإعادة التدوير	
لا تتخلص من الأجهزة الكهربائية البطاريات ضمن القمامة المنزلية	
Hilti بطارية أيونات الليثيوم	
Hilti جهاز الشحن	

3.2.1 الرموز في الصور

تستخدم الرموز التالية في الرسوم التوضيحية:

2	تشير هذه الأعداد إلى الصورة المعنية في بداية دليل الاستعمال هذا.
3	ترقيم الصور يمثل ترتيب خطوات العمل في الصور، وقد يختلف عن ترقيم خطوات العمل في النص.
11	يتم استخدام أرقام المواضع في صورة العرض العام وهي تشير إلى أرقام تعليق الصورة في فصل عرض عام للمنتج.
	هذه العلامة من شأنها أن تثير انتباهك جيداً عند التعامل مع المنتج.



3.1 الرموز المرتبطة بالمنتج

1.3.1 الرموز على المنتج

قد تكون الرموز التالية مستخدمة على المنتج:

يدعم المنتج تقنية NFC المتوافقة مع أنظمة التشغيل iOS و Android.	
الثقب بدون طرق	
الثقب بالطرق (الثقب المطرقي)	
تحديد موضع الإزميل	
النقر بالإزميل	
الدوران جهة اليمين/اليسار	
عدد اللغات الاسمي في الوضع المحايد	n ₀
تيار مستمر	==
بطارية أيونات الليثيوم	Li-Ion
لا تستخدم البطارية أبداً كمطرقة.	
لا تدع البطارية تسقط. لا تستخدم بطارية تعرضت لصدمة أو أي نوع آخر من التلفيات.	

4.1 معلومات المنتج

منتجات **HILTI** مصممة للمستخدمين المحترفين ويقتصر استعمالها وصيانتها وإصلاحها على الأشخاص المعتمدين والمدربين جيداً. هؤلاء الأشخاص يجب أن يكونوا قد تلقوا تدريباً خاصاً على الأخطار الطارئة. قد يتسبب الجهاز وأدواته المساعدة في حدوث أخطار إذا تم التعامل معها بشكل غير سليم فنياً من قبل أشخاص غير مدربين أو تم استخدامها بشكل غير مطابق للتعليمات. يوجد مسمى الطراز والرقم المسلسل على لوحة الصنع.

◀ انقل الرقم المسلسل في الجدول التالي. ستحتاج إلى بيانات المنتج في حالة الاستفسارات الموجهة إلى ممثلينا أو مركز الخدمة.

بيانات المنتج

TE 6-22	المثقاب المطرقي SDS-Plus
05	الجيل
	الرقم المسلسل

5.1 بيان المطابقة

تعلن الجهة الصانعة على مسؤوليتها وحدها بأن المنتج المشروع هنا يتوافق مع التشريعات والمعايير المعمول بها. تجد صورة لبيان المطابقة في نهاية هذا المستند.

المستندات الفنية محفوظة هنا:

Hilti Entwicklungsgesellschaft mbH | Zulassung Geräte | Hiltistraße 6 | 86916 Kaufering, DE

2 السلامة

1.2 إرشادات السلامة العامة المتعلقة بالأدوات الكهربائية

⚠ تحذير احرص على قراءة جميع إرشادات السلامة، التوجيهات، الصور التوضيحية والمواصفات الفنية المرفقة مع هذه الأداة الكهربائية. أي تقصير أو إهمال في الالتزام بالتعليمات التالية قد يتسبب في حدوث صعق كهربائي، نشوب حريق و/أو وقوع إصابات خطيرة.

احتفظ بجميع مستندات إرشادات السلامة والتعليمات لاستخدامها عند الحاجة إليها فيما بعد.



يقصد بمصطلح «الأداة الكهربائية» المذكور في إرشادات السلامة الأدوات الكهربائية المشغلة بالكهرباء (باستخدام كابل الكهرباء) أو الأدوات الكهربائية المشغلة بالبطاريات (بدون كابل الكهرباء).

سلامة مكان العمل

- ◀ حافظ على نطاق عملك نظيفاً ومضاءً بشكل جيد. الفوضى أو أماكن العمل غير المضاءة يمكن أن تؤدي لوقوع حوادث.
- ◀ لا تعمل بالأداة الكهربائية في محيط معرض لخطر الانفجار يتواجد به سوائل أو غازات أو أنواع غبار قابلة للاشتعال. الأدوات الكهربائية تولد شرراً يمكن أن يؤدي لإشعال الغبار والأبفرة.
- ◀ احرص على إبعاد الأطفال والأشخاص الآخرين أثناء استخدام الأداة الكهربائية. في حالة انصراف انتباهك قد تفقد السيطرة على الجهاز.

السلامة الكهربائية

- ◀ يجب أن يكون قابس توصيل الأداة الكهربائية متلائماً مع المقبس. لا يجوز تعديل القابس بأي حال من الأحوال. لا تستخدم قوايس مهايأة مع أدوات كهربائية ذات وصلة أرضي محمية. القوايس غير المعدلة والمقابس الملائمة تقلل من خطر حدوث صدمة كهربائية.
- ◀ تجنب حدوث تلامس للجسم مع أسطح مؤرضة مثل الأسطح الخاصة بالمواسير وأجهزة التدفئة والمواقد والتلاجات. ينشأ خطر متزايد من حدوث صدمة كهربائية عندما يكون جسمك متصلاً بالأرض.
- ◀ أبعد الأدوات الكهربائية عن الأمطار أو البلل. تسرب الماء إلى داخل الأداة الكهربائية يزيد من خطر حدوث صدمة كهربائية.
- ◀ لا تستخدم كابل التوصيل لحمل الأداة الكهربائية أو تعليقها أو لسحب القابس من المقبس. احتفظ بكابل التوصيل بعيداً عن السخونة والزيت والحواف الحادة والأجزاء المتحركة. كابلات التوصيل التالفة أو المتشابكة تزيد من خطر حدوث صق كهربائي.
- ◀ عندما تعمل بأداة كهربائية في مكان مكشوف، فلا تستخدم سوى كابلات الإطالة المناسبة للعمل في النطاق الخارجي. استخدام كابل إطالة مناسب للعمل في النطاق الخارجي يقلل من خطر حدوث صق كهربائي.
- ◀ إذا تعذر تجنب تشغيل الأداة الكهربائية في محيط رطب، فاستخدم مفتاح حماية من تسرب التيار. استخدام مفتاح الحماية من تسرب التيار يقلل خطر حدوث صدمة كهربائية.

سلامة الأشخاص

- ◀ كن يقظاً وانتبه لما تفعل وتعامل مع الأداة الكهربائية بتعقل عند العمل بها. لا تستخدم الأداة الكهربائية عندما تكون متعباً أو تحت تأثير المخدرات أو الكحوليات أو العقاقير. فقد يتسبب عدم الانتباه للحظة واحدة أثناء الاستخدام في حدوث إصابات بالغة.
- ◀ ارتد تجهيزات وقاية شخصية وارتد دائماً نظارة واقية. ارتداء تجهيزات وقاية شخصية، مثل قناع الوقاية من الغبار وأحذية الأمان المضادة للانزلاق وخوذة الوقاية أو واقى السمع، تبعاً لنوع واستخدام الأداة الكهربائية، يقلل من خطر الإصابات.
- ◀ تجنب التشغيل بشكل غير مقصود. تأكد أن الأداة الكهربائية مطفأة قبل توصيلها بالكهرباء و/أو بالبطارية وقبل رفعها أو حملها. إذا كان إصبعك على المفتاح عند حمل الأداة الكهربائية أو كان الجهاز في وضع التشغيل عند التوصيل بالكهرباء، فقد يؤدي ذلك لوقوع حوادث.
- ◀ أبعد أدوات الضبط أو مفاتيح ربط البراغي قبل تشغيل الأداة الكهربائية. الأداة أو المفتاح المتواجد في جزء دوار من الجهاز يمكن أن يؤدي لحدوث إصابات.
- ◀ تجنب اتخاذ وضع غير طبيعي للجسم. احرص على أن تكون واقفاً بأمان وحافظ على توازنك في جميع الأوقات. من خلال ذلك تستطيع السيطرة على الأداة الكهربائية بشكل أفضل في المواقف المفاجئة.
- ◀ ارتد ملابس مناسبة. لا ترتد ملابس فضفاضة أو حلي. احرص على أن يكون الشعر والملابس والقفازات بعيدة عن الأجزاء المتحركة. الملابس الفضفاضة أو الحلي أو الشعر الطويل يمكن أن تشبك في الأجزاء المتحركة.
- ◀ إذا أمكن تركيب تجهيزات شطف وتجميع الغبار، فتأكد أنها موصلة ومستخدمة بشكل سليم. استخدام تجهيز شطف الغبار يمكن أن يقلل الأخطار الناتجة عن الغبار.
- ◀ لا تعتقد بأنك في مأمن عن الخطر ولا تتجاهل تشريعات السلامة المعنية للأدوات الكهربائية، حتى وإن كنت على دراية بالأداة الكهربائية بعد تكرار استخدامها. التعامل مع الجهاز بدون حذر قد يؤدي إلى وقوع إصابات بالغة في جزء من الثانية.

استخدام الأداة الكهربائية والتعامل معها

- ◀ لا تفرط في التحميل على الجهاز. استخدم الأداة الكهربائية المناسبة للعمل الذي تقوم به. استخدام الأداة الكهربائية المناسبة يتيح لك العمل بشكل أفضل وأكثر أماناً في نطاق العمل المقرر.



- ◀ لا تستخدم أداة كهربائية ذات مفتاح تالف. الأداة الكهربائية التي لم يعد يمكن تشغيلها أو إطفائها تمثل خطورة ويجب إصلاحها.
- ◀ اسحب القابس من المقبس و/أو اخلع البطارية القابلة للخلع من الجهاز قبل إجراء عمليات الضبط، أو استبدال أجزاء الملحقات أو عند ترك الجهاز. هذا الإجراء الوقائي يمنع بدء تشغيل الأداة الكهربائية دون قصد.
- ◀ احتفظ بالأدوات الكهربائية غير المستخدمة بعيدا عن متناول الأطفال. لا تسمح باستخدام الجهاز من قبل أشخاص ليسوا على دراية به أو لم يقرءوا هذه التعليمات. الأدوات الكهربائية خطيرة في حالة استخدامها من قبل أشخاص ليست لديهم الخبرة الواجبة.
- ◀ اعتني جيدا بالأدوات الكهربائية والملحقات. افحص الأجزاء المتحركة من حيث أداؤها لوظيفتها بدون مشاكل وعدم انحصارها وافحصها من حيث وجود أجزاء مكسورة أو متعرضة للضرر يمكن أن تؤثر سلبا على وظيفة الأداة الكهربائية. اعمل على إصلاح الأجزاء التالفة قبل استخدام الجهاز. الكثير من الحوادث مصدرها الأدوات الكهربائية التي تم صيانتها بشكل رديء.
- ◀ حافظ على أدوات القطع حادة ونظيفة. تتميز أدوات القطع ذات حواف القطع المادة المعتنى بها بدقة بأنها أقل عرضة للتعثرو وأسهل في التعامل.
- ◀ استخدم الأداة الكهربائية والملحقات وأدوات العمل وخلافه طبقا لهذه التعليمات. احرص في هذه الأثناء على مراعاة اشتراطات العمل والمهمة المراد تنفيذها. استخدام الأدوات الكهربائية في تطبيقات غير تلك المقررة لها يمكن أن يؤدي لمواقف خطيرة.
- ◀ حافظ على المقابض ومواقع المسك في حالة جافة ونظيفة وخالية من الزيت والشحم. المقابض ومواقع المسك الانزلاقية تحول دون استعمال الأداة الكهربائية والتحكم بها بشكل آمن في المواقف غير المتوقعة.

استخدام الأداة العاملة بالبطارية والتعامل معها

- ◀ لا تشحن البطارية إلا في أجهزة شحن موصى بها من قبل الجبة الصانعة. بالنسبة لجهاز الشمن المناسب لنوع معين من البطاريات، ينشأ خطر الحريق عند استخدامه مع بطاريات أخرى.
- ◀ لا تضع في الأدوات الكهربائية سوى البطاريات المخصصة لها. استخدام بطاريات أخرى يمكن أن يؤدي لوقوع إصابات وخطر الحريق.
- ◀ أبعد البطارية غير المستخدمة عن مشابك الورق وقطع النقود المعدنية والمفاتيح والمسامير والبراغي أو الأشياء المعدنية الصغيرة الأخرى التي يمكن أن تتسبب في توصيل الملامسين لبعضهما. حدوث قفلة كهربائية بين أطراف توصيل البطارية يمكن أن ينتج عنه حدوث حروق أو نشوب حريق.
- ◀ عند الاستخدام بشكل خاطئ يمكن أن يتسرب سائل من البطارية. تجنب ملامسته. اشطفه بالماء في حالة ملامسته عن طريق الخطأ. إذا وصل السائل للعينين، فتوجه للطبيب علاوة على ذلك. سائل البطارية المتسرب يمكن أن يؤدي لتبيح البشرة أو حدوث حروق.
- ◀ لا تستخدم بطارية تالفة أو مختلفة. البطاريات التالفة أو المختلفة قد تتفاعل مع نفسها بشكل غير متوقع مما يؤدي لنشوب حريق أو حدوث انفجار أو وقوع إصابات.
- ◀ لا تعرض البطارية للنار أو لدرجات حرارة مرتفعة للغاية. حيث قد تؤدي النار ودرجات الحرارة الزائدة عن 130 °م (265 °ف) إلى حدوث انفجار.
- ◀ التزام بكافة التعليمات المعنية بالشحن، ولا تقم أبدا بشحن البطارية أو الأداة العاملة بالبطارية خارج نطاق درجة الحرارة الوارد ذكره في دليل التشغيل. الشمن بشكل خاطئ أو خارج نطاق درجة الحرارة المسموح به قد يتلف البطارية ويزيد من خطر الحريق.

الخدمة

- ◀ اعمل على إصلاح أدواتك الكهربائية على أيدي فنيين معتمدين فقط والاقصر على استخدام قطع الغيار الأصلية. وبذلك تتأكد من الحفاظ على سلامة الجهاز.
- ◀ لا تقم أبدا بصيانة البطاريات التالفة. يجب أن تتم جميع أعمال الصيانة بمعرفة الجبة الصانعة فقط أو من خلال مراكز خدمة العملاء المعتمدين.

2.2 إرشادات السلامة الخاصة بالمطارق

- ◀ استخدم واقيا للسمع. لذا يرجى مراعاة أن الضجيج الصاخب يمكن أن يُفقد القدرة على السمع.
- ◀ استخدم المقابض الإضافية الموردة مع الجهاز. فقدان السيطرة يمكن أن يؤدي لوقوع إصابات.
- ◀ أمسك الجهاز من مواقع المسك المعزولة عند إجراء أعمال يحتمل فيها أن تتلامس أداة الشغل مع أسلاك كهربائية مخفية. حيث أن ملامسة سلك بسري فيه التيار الكهربائي يمكن أن ينقل الجهد الكهربائي للأجزاء المعدنية بالجهاز ويؤدي لحدوث صدمة كهربائية.



سلامة الأشخاص

- ◀ اقتصر على استخدام المنتج والملحقات وهم في حالة سليمة من الناحية الفنية.
- ◀ لا تقم أبداً بأية تدخلات أو تغييرات على المنتج أو الملحقات.
- ◀ استعمل قفازاً واقياً عند تغيير الأدوات، نظراً لأن أدوات الشغل وظرف تركيب للأدوات تسخن من خلال الاستخدام.
- ◀ يتميز المنتج عزم دوران عال يتناسب مع تطبيقاته. أمسك الجهاز دائماً بكلتا اليدين من المقابض المخصصة لذلك. ويجب أن يكون المستخدم مستعداً لمواجهة أية إعاقة مفاجئة لتشغيل الأداة.
- ◀ تأكد أن المقبض الجانبي مركب ومثبت بشكل سليم. أمسك المقبض الجانبي دائماً من الخارج.
- ◀ قد تتناثر الشظايا أثناء العمل. الشظايا يمكن أن تصيب الجسم والعينين. احرص أثناء استخدام المنتج على ارتداء نظارة واقية وخوذة حماية وواقي للسمع. في حالة عدم استخدام شفاط للغبار، احرص أيضاً على ارتداء واقياً خفيفاً للتنفس.
- ◀ أثناء أعمال الثقب قم بتأمين النطاق الواقع على الجهة المقابلة للعمل. الشظايا المتناثرة يمكن أن تتطاير و/أو تسقط وتصيب الآخرين.
- ◀ يجب مراعاة الوقوف بشكل ثابت وآمن عند النقر بالإزميل في الأسقف والجدران والأرضيات. الاختراق المفاجئ يمكن أن يتسبب في إخلال توازنك.
- ◀ تجنب ملامسة الأجزاء الدوارة - خطر الإصابة!
- ◀ احتفظ بفتحات التهوية مكشوفة دائماً. خطر حدوث حرائق بسبب فتحات التهوية المغطاة!
- ◀ لا تقم بتشغيل المنتج حتى تقوم بنقله إلى وضع العمل.
- ◀ لا تعمل في نطاق شديد التلوث بالغبار.
- ◀ يمكن أن يحتوي الغبار الناتج عن التجليخ والسفرة والقطع والثقب على مواد كيميائية خطيرة. بعض الأمثلة: الرصاص أو الدهانات التي تحتوي على الرصاص، القرميد والخرسانة ومنتجات البناء الأخرى وأحجار البناء الطبيعية والمنتجات الأخرى المحتوية على السيليكات، بعض الأخشاب مثل البلوط والزان والأخشاب المعالجة كيميائياً، الأسبستوس أو الفامات المحتوية على الأسبستوس. قم بتحديد مدى تعرض المستخدم والأشخاص المحيطين لفئة خطر الفامات التي يجري العمل عليها. اتخذ التدابير اللازمة للحفاظ على مدى التعرض في مستوى آمن، على سبيل المثال، استخدام نظام تجميع الغبار أو ارتداء كمامة مناسبة للتنفس. تشمل التدابير العامة للحد من مدى التعرض ما يلي:
 - ◀ العمل في نطاق جيد التهوية.
 - ◀ تجنب ملامسة الغبار لفترة طويلة.
 - ◀ إزالة الغبار عن الوجه والجسم،
 - ◀ ارتداء بزة واقية وغسل المناطق المكشوفة بالماء والصابون.
- ◀ خذ قسطاً من الراحة بشكل متكرر وقم بتمارين استرخاء لسريان الدم في الأصابع بشكل أفضل. عند القيام بأعمال لفترات طويلة، فقد تحدث اضطرابات في الأوعية الدموية أو الجهاز العصبي بسبب كثرة الاهتزازات على الأصابع أو الأيدي أو معصم اليد.
- ◀ لا تنظر بشكل مباشر إلى مصدر الإضاءة (لمبة LED) ولا تقم بتوجيه الإضاءة إلى أوجه أشخاص آخرين. فهناك خطر الإصابة بالعمى.
- ◀ اعمل على منع تسرب الرطوبة. قد تتسبب القفلة الكهربائية الناتجة من الرطوبة في اشتعال حريق أو الإصابة بحروق.
- ◀ خطر الإصابة من جراء سقوط الأدوات و/أو الملحقات. تأكد قبل بدء العمل أن البطارية والملحقات المركبة مثبتة بشكل آمن.
- ◀ لا تقم بتثبيت أي خطاف حزام على هذا المنتج.

السلامة الكهربائية

- ◀ قبل بدء الأعمال افحص نطاق العمل من حيث وجود توصيلات كهرباء مغطاة أو مواسير للغاز والماء. الأجزاء المعدنية الخارجية بالمنتج يمكن أن تتسبب في صدمة كهربائية أو انفجار، إذا قمت بإتلاف إحدى توصيلات التيار أو ماسورة الغاز أو الماء.

الاستخدام والتعامل بعناية مع الأدوات الكهربائية

- ◀ قم بإيقاف المنتج على الفور، بمجرد تعرض الأداة للإعاقة. يمكن أن ينحرف الجهاز جانباً.
- ◀ انتظر حتى يتوقف المنتج تماماً قبل تخزينه.



4.2 التعامل بعناية مع الأجهزة العاملة بالبطاريات واستخدامها

- ◀ احرص على مراعاة إرشادات السلامة التالية للتعامل والاستخدام الآمن لبطاريات أيونات الليثيوم. وعدم مراعاة ذلك قد يؤدي إلى حدوث تهيجات للبشرة، إصابات أكلة بالغة، حروق كيميائية، حرائق و/ أو انفجارات.
- ◀ اقتصر على استخدام البطاريات وهي في حالة سليمة من الناحية الفنية.
- ◀ احرص على التعامل مع البطاريات بعناية لتجنب وقوع أضرار ومنع تسرب السوائل التي قد تضر بالصحة بصورة كبيرة!
- ◀ لا يجوز بأي حال من الأحوال تعديل البطاريات أو العبث بها!
- ◀ لا يجوز تفكيك البطاريات أو سحقها أو وضعها في درجة حرارة أعلى من 80°م (176°ف) أو حرقها.
- ◀ لا تقم باستخدام أو شحن بطاريات تعرضت لصدمات أو أي نوع آخر من الأضرار. افحص البطاريات بشكل دوري بحثًا عن علامات التلف.
- ◀ لا تقم مطلقًا باستخدام بطاريات مُعاد تدويرها أو التي تم إصلاحها.
- ◀ لا تستخدم أبدًا البطارية أو أية أداة كهربائية مشغلة بالبطارية كمطرقة.
- ◀ لا تقم مطلقًا بتعريض البطاريات لأشعة الشمس المباشرة أو درجات الحرارة المرتفعة أو تولد الشرر أو اللهب المكشوف. فقد يؤدي ذلك إلى حدوث انفجارات.
- ◀ لا تلمس أقطاب البطارية بأصابعك، أدوات، خُلي أو أية أشياء أخرى موصلة للكهرباء. فقد يؤدي ذلك إلى إلحاق الضرر بالبطارية وحدوث أضرار مادية والإصابات.
- ◀ احتفظ بالبطاريات بعيدًا عن الأمطار والبلل والسوائل. فالرطوبة المتسربة قد تتسبب في حدوث قفلات كهربائية، صدمات كهربائية، حرائق وانفجارات.
- ◀ اقتصر على استخدام الشواحن والأدوات الكهربائية المقررة لهذه البطارية. يلزم مراعاة المعلومات الواردة في دليل الاستعمال المعني.
- ◀ لا تقم باستخدام أو تخزين البطارية في النطاقات المُعرضة لخطر الانفجار.
- ◀ في حالة سخونة الشحنة الشديدة للبطارية بحيث يتعذر الإمساك بها، فقد تكون تالفة. احرص على وضع البطارية في مكان مرئي وغير قابل للاشتعال مع وجود مسافة كافية من الغامات القابلة للاشتعال. اترك البطارية تبرد. إذا ظلت البطارية ساخنة بعد مرور ساعة لدرجة تعذر لمسها، فهذا يعني أنها تالفة. توجه إلى مركز خدمة Hilti أو اقرأ المستند "إرشادات لسلامة واستخدام بطاريات أيونات الليثيوم Hilti".

احرص على مراعاة اللوائح الخاصة التي تسري على نقل وتخزين واستخدام بطاريات أيونات الليثيوم.



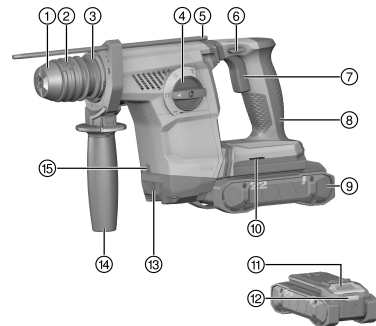
← صفحة 113

اقرأ إرشادات سلامة واستخدام بطاريات أيونات الليثيوم Hilti، التي يمكنك العثور عليها عن طريق مسع كود الاستجابة السريعة الموجود في نهاية دليل الاستعمال هذا.

3 الشرح

1.3 نظرة عامة على المنتج 1

- ① غطاء الحماية من الغبار
- ② وسيلة تأمين الأداة / ظرف تركيب الأدوات
- ③ وصلة لوحدة تجميع الغبار
- ④ مفتاح اختيار الوظيفة
- ⑤ محدد عمق الثقب
- ⑥ مفتاح التحويل ميمًا/يسارًا مزود بوسيلة تأمين عند النقل
- ⑦ مفتاح التحكم
- ⑧ المقبض
- ⑨ البطارية
- ⑩ فتحة تركيب الملحق
- ⑪ زر تحرير البطارية
- ⑫ مبین حالة البطارية
- ⑬ وصلة وحدة الحماية من الغبار TE DRS-4/6 (01)
- ⑭ مقبض جانبي
- ⑮ لمبة إضاءة نطاق العمل (LED)



2.3 الاستخدام المطابق للتعليمات

المنتج المشروح عبارة عن مثقاب مطرقي مشغل بالبطارية SDS-Plus. وهو مخصص للثقب في الفولاذ والأخشاب والجران وللثقب المطرقي في الخرسانة والجران، ولربط وحمل البراغي. علاوة على ذلك يمكن استخدام المنتج في الأعمال الخفيفة التي يتم فيها استخدام الإزميل للنقر في الجدران والأعمال اللاحقة التي تتم على الخرسانة.

- اقتصر مع هذا المنتج على استخدام بطاريات أيونات الليثيوم Hilti Nuron من النوع B 22. لضمان مستوى نموذجي للقدرة، توصي Hilti باستخدام البطاريات المذكورة في نهاية دليل الاستعمال هذا مع هذا المنتج.
- اقتصر مع هذه البطاريات على استخدام شواحن Hilti من الأنواع المذكورة في نهاية دليل الاستعمال هذا.

3.3 مجموعة التجهيزات الموردة

المثقاب المطرقي SDS-Plus، المقبض الجانبي، محدد العمق، شحم، دليل الاستعمال.
يتم تقديم وحدة الحماية من الغبار (01) TE DRS-4/6 كملحق للعمل دون تصاعد الغبار.
تجد المزيد من منتجات النظام المسموح بها للمنتج الخاص بك لدى متجر **Hilti Store** أو على موقع الإنترنت: www.hilti.group

4.3 بيانات بطارية أيونات الليثيوم

يمكن لبطاريات أيونات الليثيوم Hilti Nuron عرض حالة الشحن وبلاغات الأخطاء وحالة البطارية.

1.4.3 عرض حالة الشحن وبلاغات الأخطاء.



خطر الإصابة بسبب سقوط البطارية!

- بينما البطارية مركبة، تأكد بعد الضغط على زر التحرير أنك قمت بإعادة تثبيت البطارية بشكل صحيح في المنتج المستخدم.

لكي يتسنى الحصول على أحد البيانات التالية، اضغط لوهلة قصيرة على زر تحرير البطارية. وأيضًا يتم باستمرار عرض حالة الشحن وكذلك الاختلالات المُحتملة طوال فترة تشغيل المنتج الموصول.

الحالة	الاستعمال
تضيء أربع لمبات LED (4) باستمرار باللون الأخضر	حالة الشحن: 100 % إلى 71 %
تضيء ثلاث لمبات LED (3) باستمرار باللون الأخضر	حالة الشحن: 70 % إلى 51 %
تضيء لمبة LED (2) باستمرار باللون الأخضر	حالة الشحن: 50 % إلى 26 %
تضيء لمبة LED واحدة (1) باستمرار باللون الأخضر	حالة الشحن: 25 % إلى 10 %
تومض لمبة LED واحدة (1) ببطء باللون الأخضر	حالة الشحن: > 10 %
تومض لمبة LED واحدة (1) بسرعة باللون الأخضر	بطارية أيونات الليثيوم فارغة الشحنة تمامًا. اشحن البطارية. إذا استمر وميض لمبة LED بسرعة بعد شحن البطارية، توجه إلى مركز خدمة Hilti.
تومض لمبة LED واحدة (1) بسرعة باللون الأصفر	هناك تحميل زائد على بطارية أيونات الليثيوم أو المنتج المرتبط بها أو بهما سخونة زائدة أو برودة زائدة أو بهما خطأ آخر. اعمل على توفير درجة حرارة العمل الموصى بها للمنتج وللبطارية، واحرص على ألا يتعرض المنتج للتحميل الزائد عند استخدامه. إذا استمر وجود البلاغ، توجه إلى مركز خدمة Hilti.
تضيء لمبة LED واحدة (1) باللون الأصفر	بطارية أيونات الليثيوم والمنتج المرتبط بها ليسا متوافقين. يُرجى التوجه إلى مركز خدمة Hilti.
تومض لمبة LED واحدة (1) بسرعة باللون الأحمر	تم تعطيل بطارية أيونات الليثيوم ولا يمكن مواصلة استخدامها. يُرجى التوجه إلى مركز خدمة Hilti.



2.4.3 عرض حالة البطارية

للاستفسار عن حالة البطارية، احتفظ بزر التمرير مضغوطاً لمدة تزيد على ثلاث ثوانٍ. لا يكتشف النظام أي عطل محتمل في البطارية بسبب سوء الاستخدام، على سبيل المثال السقوط أو الثقب أو الأضرار الخارجية بفعل الحرارة، وما إلى ذلك

الحالة	الاستعمال
تضيء جميع لمبات LED كخط إضاءة متتابع، وبعد ذلك تضيء لمبة LED واحدة (1) باستمرار باللون الأخضر.	لا يزال من الممكن استخدام البطارية.
تضيء جميع لمبات LED كخط إضاءة متتابع، وبعد ذلك تومض لمبة LED واحدة (1) بسرعة باللون الأصفر.	تعذر إتمام الاستعلام عن حالة البطارية. كرر العملية أو توجه إلى مركز خدمة Hilti.
تضيء جميع لمبات LED كخط إضاءة متتابع، وبعد ذلك تضيء لمبة LED واحدة (1) باستمرار باللون الأحمر.	إذا كان لا يزال من الممكن استخدام منتج موصل، تكون قدرة البطارية المتبقية أقل من 50%. إذا لم يعد من الممكن استخدام منتج موصل، فهذا يعني أن البطارية في نهاية عمرها الافتراضي ويجب تغييرها. يُرجى التوجه إلى مركز خدمة Hilti.

4 المواصفات الفنية

الوزن حسب EPTA Procedure 01 بدون البطارية	2.84 كجم
طاقة الطرق الفردي طبقاً لبروتوكول EPTA 05	2.6 جول
نطاق الثقب في الخرسانة/الجران (الثقب المطرفي)	4 مم ... 28 مم
درجة الحرارة المحيطة أثناء التشغيل	17°م ... 60°م
درجة حرارة التخزين	20°م ... 70°م

1.4 البطارية

جهد تشغيل البطارية	21.6 فولت
وزن البطارية	انظر نهاية هذا الدليل
درجة الحرارة المحيطة أثناء التشغيل	17°م ... 60°م
درجة حرارة التخزين	20°م ... 40°م
درجة حرارة البطارية عند بدء الشحن	10°م ... 45°م

2.4 معلومات الضجيج وقيم الاهتزاز طبقاً للمواصفة EN 60745

تم قياس قيم ضغط الصوت والاهتزاز الواردة في هذا الدليل طبقاً لعملية قياس معايرة ويمكن الاستعانة بها في مقارنة الأدوات الكهربائية مع بعضها البعض. وهي تصلح أيضاً لتقدير المخاطر بصورة مؤقتة. المواصفات الواردة تتعلق بالاستخدامات الأساسية للأداة الكهربائية. أما إذا تم استخدام الأداة الكهربائية في تطبيقات أخرى مع أدوات شغل مخالفة للمواصفات أو دون صيانة كافية، ففي هذه الحالة قد تختلف البيانات. وقد يزيد هذا من المخاطر خلال مدة العمل بالكامل بصورة واضحة. ولتقدير المخاطر تقديراً دقيقاً ينبغي أيضاً مراعاة الأوقات التي يتم فيها إيقاف الجهاز أو التي يكون فيها الجهاز مشغلاً ولكن دون استخدام حقيقي. وقد يقلل هذا من المخاطر خلال مدة العمل بالكامل بصورة واضحة. احرص على مراعاة تدابير السلامة الإضافية لحماية المستخدم من تأثير الصوت و/أو الاهتزازات مثل: صيانة الأداة الكهربائية وأدوات العمل والحفاظ على الأيدي في حالة دافئة وتنظيم مراحل العمل.

قيم الضجيج المتبعث

مستوى ضغط الصوت المتبعث (L_{pA})	91 ديسيبل (A)
نسبة التفاوت لمستوى ضغط الصوت (K_{pA})	3 ديسيبل (A)
مستوى شدة الصوت (L_{WA})	102 ديسيبل (A)
نسبة التفاوت لمستوى شدة الصوت (K_{WA})	3 ديسيبل (A)



TE 6-22 + TE DRS-46 (01)	TE 6-22		
10.6 م/ثانية ²	10.7 م/ثانية ²	B 22-85	الثقب بالطرق في الخرسانة (a _n , h _n)
11.3 م/ثانية ²	10.4 م/ثانية ²	B 22-170	
5.5 م/ثانية ²	6.3 م/ثانية ²	B 22-85	النقر بالإزميل
6.0 م/ثانية ²	6.3 م/ثانية ²	B 22-170	
1.5 م/ثانية ²	1.5 م/ثانية ²	نسبة التفاوت (K)	

5 التحضير للعمل

تحذير

خطر الإصابة من خلال التشغيل غير المقصود!

- تأكد قبل إدخال البطاريات أن الجهاز المختص مطفأ.
- اخلع البطارية قبل إجراء عمليات ضبط الجهاز أو تغيير أجزاء الملحقات التكميلية.

تراجع إرشادات الأمان والإرشادات التحذيرية الواردة في هذا المستند وعلى الجهاز.

1.5 شحن البطارية

- قبل الشحن، قم بقراءة دليل استعمال جهاز الشحن.
- احرص على أن تكون أطراف تلامس البطارية وجهاز الشحن نظيفة وجافة.
- قم بشحن البطارية باستخدام شاحن مصرح به. ← صفحة 108

2.5 تركيب البطارية

تحذير

خطر الإصابة من خلال قفلة كهربائية أو سقوط البطارية!

- تأكد قبل تركيب البطاريات في الجهاز من عدم وجود أجسام غريبة بين أطراف توصيل البطارية والجهاز.
- تأكد من تثبيت البطارية بشكل صحيح دائماً.

- اشحن البطارية لآخرها تماماً قبل التشغيل لأول مرة.
- قم بتحرك البطارية في المنتج إلى أن تستقر في موضعها بصوت مسموع.
- تفحص البطارية من حيث ثباتها في موضعها بشكل جيد.

3.5 خلع البطارية

- اضغط على زر تحرير البطارية.
- اسحب البطارية من المنتج.

4.5 تركيب المقبض الجانبي 2

- أدر المقبض لفةك وسيلة تثبيت (شريط الشد) المقبض الجانبي.
- أدخل وسيلة التثبيت (شريط الشد) من الأمام عبر ظرف تركيب الأدوات وصولاً إلى الحز المخصص لذلك.
- اضبط المقبض الجانبي في الوضع المرغوب.
- أدر المقبض لشد وسيلة تثبيت (شريط الشد) المقبض الجانبي.

5.5 تركيب أداة الشغل 3

قم بتزليق طرف إدخال أداة الشغل قليلاً. اقتصر على استخدام الشحم الأصلي من Hilti. استخدام شحم خاطئ قد يتسبب في إلحاق أضرار بالمنتج.

- قم بتركيب أداة التقليل في ظرف تركيب الأدوات وأدره مع الضغط الخفيف عليه حتى يثبت في موضعه بصوت مسموع.



2. بعد التركيب اختبر مدى إحكام القفل من خلال شد الأداة.
 ◀ المنتج جاهز للتشغيل.

6.5 فك أداة الشغل 4

⚠ احترس:

خطر الإصابة بسبب أداة الشغل! تكون أداة الشغل ساخنة ومادة الحواف.
 ▶ ارتد قفازات واقية عند تغيير أداة الشغل.

1. قم بإرجاع وسيلة تأمين الأداة حتى النهاية.
2. قم بفك أداة الشغل.

7.5 تركيب وضبط محدد عمق الثقب 5

1. اضغط واستمر في الضغط على زر التحرير بالمقبض الجانبي.
2. أدخل محدد العمق من الأمام في الفتحة المعنية بالمقبض الجانبي. اضبط محدد عمق الثقب على عمق الثقب المرغوب.
3. اترك زر التحرير.
 ▶ محدد العمق مؤمن.

8.5 تجهيزة الحماية من السقوط

⚠ تحذير

خطر الإصابة من جراء أدوات الشغل و/أو الملحقات المتساقطة!
 ▶ اقتصر على استخدام حزام تثبيت أداة الشغل من Hilti الموصى به لمنتجك.
 ▶ افحص نقطة تثبيت حزام تثبيت أداة الشغل قبل كل استخدام بحثًا عن الأضرار المحتملة.

احرص على مراعاة اللوائح المحلية لبلدك للعمل على المرتفعات.

اقتصر على استخدام توليفة مكونة من تجهيزة التأمين ضد السقوط Hilti مع حزام تثبيت أداة الشغل #2261970 من Hilti كتجهيزة حماية من السقوط مع هذا المنتج.
 ▶ قم بتثبيت تجهيزة التأمين ضد السقوط في فتحات تركيب الملحق. تحقق من التثبيت الآمن.
 ▶ قم بتثبيت مشبك حزام تثبيت أداة الشغل على تجهيزة التأمين ضد السقوط والمشبك الثاني ببكل داعم. تحقق من التثبيت الآمن للمشكين.

احرص على مراعاة دليل الاستعمال الخاص بتجهيزة التأمين ضد السقوط Hilti وأيضًا حزام تثبيت أداة الشغل Hilti.

6 الاستعمال

تراجع إرشادات الأمان والإرشادات التحذيرية الواردة في هذا المستند وعلى الجهاز.

1.6 التشغيل والإيقاف

1. لتشغيل المنتج، اضغط على مفتاح التحكم.
 ▶ حسب عمق فجوة مفتاح التحكم، يمكن التحكم بسلاسة في عدد اللغات.
2. لإيقاف المنتج، قم بتمرير مفتاح التحكم.

2.6 اتجاه الدوران 5

- ▶ اضبط اتجاه الدوران.
- ▶ فيثبت المفتاح في هذا الوضع.



اضبط مفتاح اختيار الوظيفة على الوظيفة المرغوبة.

ⓘ خطر حدوث أضرار! يجب عدم الضغط على مفتاح اختيار الوظيفة أثناء التشغيل.

الثقب بدون طرق

- اضبط مفتاح اختيار الوظيفة على **1**.

الثقب بالطرق

- اضبط مفتاح اختيار الوظيفة على **2**.

تحديد موضع الإزميل

- اضبط مفتاح اختيار الوظيفة على **3**.

النقر بالإزميل

- اضبط مفتاح اختيار الوظيفة على **T**.

7 ملحق اختياري

1.7 وحدة الحماية من الأتربة (01) TE DRS-46

يتم استخدام وحدة الحماية من الغبار TE DRS-46 (01) كملحق اختياري من مناسب للمثقاب المطرقي SDS-Plus. هذه الوحدة قادرة على تجميع نسبة كبيرة من الغبار الناشئ كما يمكن تثبيتها بالمثقاب المطرقي SDS-Plus بشكل سهل وسريع. وتوجد مروحة شفط مدمجة بوحدة الحماية من الغبار. ويتم تشغيلها بمحرك خاص بها. عند تشغيل المثقاب المطرقي SDS-Plus تستمد الوحدة تيارها من بطارية المثقاب المطرقي SDS-Plus. وحدة الحماية من الغبار غير مناسبة للأعمال في المعادن والأخشاب.

الشروط: OSHA 1926.1153 Table 1 TE DRS-46 (01)

الجهاز OSHA 1926.1153 Table 1 TE DRS-46 (01) يفي بمتطلبات المواصفة وهو مجهز بآلية تنظيف الفلتر.

2.7 تركيب وحدة تجميع الغبار لتنفيذ أعمال فوق مستوى الرأس

1. قم بتركيب أداة الشغل. ← صفحة 110
2. أدخل وحدة تجميع الغبار عبر ظرف تركيب الأدوات وقم بتركيبها في الحوز الموجود على جسم المثقاب المطرقي SDS-Plus.
3. أدر وحدة تجميع الغبار عكس اتجاه حركة عقارب الساعة لتأمينها.

8 العناية والصيانة

⚠ تحذير

خطر الإصابة عند تكون البطارية مركبة!

• احرص على خلع البطارية دائما قبل جميع أعمال الإصلاح والعناية!

العناية بالمنتج

- احرص على إزالة الاتساخات شديدة الالتصاق مع توخي الحرص.
- في حالة وجودها، قم بتنظيف فتحات التهوية بمرص باستخدام فرشاة جافة وناعمة.
- قم بتنظيف جسم المنتج باستخدام قطعة قماش مبللة بعض الشيء. لا تستخدم مواد عناية محتوية على سيليكون، نظراً لأنها قد تؤدي إلى تلف الأجزاء البلاستيكية.
- استخدم قطعة قماش نظيفة وجافة لتنظيف ملامسات المنتج.

العناية ببطاريات أيونات الليثيوم

- لا تقم مطلقاً باستخدام بطارية ذات فتحات تهوية مسدودة. قم بتنظيف فتحات التهوية بمرص باستخدام فرشاة جافة وناعمة.



- تجنب تعريض البطارية للغبار أو الاتساخات دون داع. لا تقم مطلقًا بتعريض البطارية للرطوبة المرتفعة (على سبيل المثال، غمرها في الماء أو تركها تحت الأمطار).
- في حالة بلل البطارية، تعامل معها كبطارية تالفة. اعزل البطارية في وعاء غير قابل للاشتعال وتوجه إلى مركز خدمة Hilti.
- حافظ على البطارية خالية من الزيت والشحم الخارجي. لا تسمع للغبار أو الاتساخات بالتراكم دون داع على البطارية. قم بتنظيف البطارية باستخدام فرشاة جافة وناعمة أو قطعة قماش نظيفة وجافة. لا تستخدم مواد عناية محتوية على سيليكون، نظرًا لأنها قد تؤدي إلى تلف الأجزاء البلاستيكية.
- لا تلمس ملامسات البطارية ولا تقم بإزالة الشحم الموجود من قبل المصنع عن الملامسات.
- قم بتنظيف جسم المنتج باستخدام قطعة قماش مبللة بعض الشيء. لا تستخدم مواد عناية محتوية على سيليكون، نظرًا لأنها قد تؤدي إلى تلف الأجزاء البلاستيكية.

الصيانة

- احرص بصورة منتظمة على فحص الأجزاء المرئية من حيث وجود أضرار وافحص عناصر الاستعمال من حيث كفاءتها الوظيفية.
- لا تقم بتشغيل الجهاز في حالة وجود أضرار وأو اختلالات وظيفية. احرص على إصلاح الجهاز على وجه السرعة لدى خدمة Hilti.
- بعد أعمال العناية والإصلاح قم بتركيب جميع تجهيزات الحماية وافحصها من حيث الأداء الوظيفي السليم.

للتشغيل الآمن اقتصِر على استخدام قطع الغيار الأصلية وخامات الشغل. تجد قطع الغيار وخامات الشغل والملمحات المصراع بها من Hilti للمنتج الخاص بك في متجر Hilti Store أو على موقع الإنترنت: www.hilti.group

1.8 تنظيف غطاء الحماية من الغبار

- قم بتنظيف غطاء الحماية من الغبار الموجود على طرف تركيب الأدوات بصفة دورية باستخدام فوطة نظيفة جافة.
- قم بتنظيف شفة الإحكام عن طريق مسحها بحرص و قم بتشحيما مرة أخرى بقليل من شحم Hilti.
- يلزم تغيير غطاء الحماية من الغبار في حالة تلف شفة الإحكام.

9 نقل وتخزين أدوات الشغل العاملة ببطارية والبطاريات

النقل



احترس:

التشغيل غير مقصود عند النقل !

- قم بنقل المنتج دائما بدون البطاريات!
- اخلع البطارية/البطاريات.
- لا تقم بنقل البطاريات بكميات كبيرة. ينبغي أثناء النقل حماية البطاريات من الاصطدام العنيف والاهتزازات، وكذلك عزلها عن أية مواد موصلة للكهرباء أو أية بطاريات أخرى، وذلك حتى لا تتلامس مع أقطاب بطاريات أخرى ومن ثم حدوث قفلة كهربائية. **احرص على مراعاة تعليمات النقل المحلية للبطاريات.**
- لا يجوز إرسال البطاريات عن طريق البريد. توجه إلى شركة شحن، إذا كنت ترغب في إرسال بطاريات غير تالفة.
- افحص المنتج والبطاريات من حيث وجود أضرار قبل كل استخدام وقبل وبعد النقل لمسافة طويلة.

التخزين



تحذير

أضرار غير مقصودة بسبب البطاريات التالفة أو التي بها تسريب !

- قم بتخزين المنتج دائما بدون البطاريات!
- احرص على تخزين المنتج والبطاريات في مكان بارد وجاف. احرص على مراعاة القيم الحدية لدرجات الحرارة الواردة في المواصفات الفنية.
- لا تحتفظ بالبطاريات على جهاز الشحن. قم دائمًا بإزالة البطارية من الشاحن بعد انتهاء عملية الشحن.
- لا تقم أبدًا بتخزين البطاريات تحت أشعة الشمس أو في مصادر الحرارة أو خلف الزجاج.
- احرص على تخزين المنتج والبطاريات والاحتفاظ به بعيدًا عن متناول الأطفال والأشخاص غير المصرح لهم .
- افحص المنتج والبطاريات من حيث وجود أضرار قبل كل استخدام وقبل وبعد التخزين لفترة طويلة.



في حالات حدوث الاختلالات، قم بمراقبة بيان حالة الشحن وبيان الأخطاء للبطارية. انظر الفصل **بيانات بطارية أيونات الليثيوم**.
عند حدوث اختلالات غير مذكورة في الجدول أو يتعذر عليك معالجتها بنفسك، فيرجى التوجه إلى مركز خدمة Hilti.

الخلل	السبب المحتمل	الحل
لا يمكن الضغط على مفتاح التحكم أو المفتاح مقفل.	مفتاح تحويل الدوران جهة اليمين/اليسار في الوضع الأوسط.	اضغط على مفتاح تحويل الدوران جهة اليمين/اليسار إلى اليمين أو اليسار.
بريمة الجهاز لا تدور.	لم يتم إدخال البطارية حتى النهاية.	قم بتثبيت البطارية حتى سماع صوت طقطقة.
	مفتاح تحويل الدوران جهة اليمين/اليسار في الوضع الأوسط.	اضغط على مفتاح تحويل الدوران جهة اليمين/اليسار إلى اليمين أو اليسار.
	مفتاح اختيار الوظيفة غير ثابت أو في وضع "النقر بالإزميل" T أو "تحديد موضع الإزميل" -3.	اضبط مفتاح اختيار الوظيفة أثناء التوقف على الوضع "الثقب بدون طرق" 2 أو "الثقب المطرقي" T.
لا يتولد طرق.	المنتج بارد للغاية.	ضع المنتج على الأرضية ودعه يدور على الوضع المحايد. عند اللزوم كرر هذه العملية حتى يعمل الطارق.
	مفتاح اختيار الوظيفة مضبوط على وضع "الثقب بدون طرق" 2.	اضبط مفتاح اختيار الوظيفة على وضع "الثقب المطرقي" T.
شحنة البطارية تفرغ بشكل أسرع من المعتاد.	حالة البطارية ليست مثالية.	استفسر عن حالة البطارية. ← صفحة 108
البطارية لا تثبت بصوت طقطقة مسموع.	طرف تثبيت بالبطارية متسخ.	قم بتنظيف طرف التثبيت ثم قم بتثبيت البطارية مجدداً.
لمبات LED بالبطارية لا تشير لشيء.	البطارية بها عطل	توجه إلى مركز خدمة Hilti.
تنشأ سخونة شديدة في المنتج أو البطارية.	عطل كهربائي	أوقف المنتج على الفور. قم بإخراج البطارية وافحصها جيداً. واتركها تبرد. اتصل بخدمة Hilti.
الأداة لا تتحرر من وضع إحكام التثبيت.	لم تقم بإرجاع طرف تركيب الأدوات حتى النهاية.	قم بإرجاع وسيلة إحكام قفل الأداة حتى النهاية وأخرج الأداة.
الأداة لا تثقب.	المنتج على وضع الدوران جهة اليسار.	اجعل مفتاح تحويل الدوران جهة اليمين/اليسار على وضع الدوران جهة اليمين.
	مفتاح اختيار الوظيفة مضبوط على وضع "الثقب بدون طرق" 2.	اضبط مفتاح اختيار الوظيفة على وضع "الثقب المطرقي" T.

11 التكوين


خطر الإصابة من جراء التكوين غير المطابق للتعليمات! خطر على الصحة من جراء الغازات والسوائل المتسربة.

- لا تقم بإرسال أو توريد بطاريات تالفة!
- قم بتغطية التوصيلات باستخدام مادة غير موصلة للكهرباء، وذلك لتجنب حدوث قفلات كهربائية.
- تخلص من البطاريات بحيث لا تصل إلى متناول الأطفال.
- تخلص من البطارية لدى متجر Hilti Store أو توجه إلى مركز التخلص من النفايات المختص.



منتجات Hilti مصنوعة بنسبة كبيرة من مواد قابلة لإعادة التدوير. يشترط إعادة التدوير أن يتم فصل الخامات بشكل سليم فنياً. في كثير من الدول تقوم Hilti باستعادة جهاذك القديم لإعادة الانتفاع به. توجه بأستلكتك لخدمة عملاء Hilti أو لمستشار المبيعات.

◀ لا تلق الأدوات الكهربائية، الأجهزة الإلكترونية والبطاريات ضمن القمامة المنزلية!



12 ضمان الجبة الصانعة

◀ في حالة وجود أية استفسارات بخصوص شروط الضمان، يرجى التوجه إلى وكيل Hilti المحلي التابع لك.

13 مزيد من المعلومات

تجد مزيداً من المعلومات حول الاستعمال والتقنية والبيئة وإعادة التدوير تحت الرابط التالي:
qr.hilti.com/manual?id=2264935&id=2264937
تجد هذا الرابط أيضاً في نهاية المستند ككود QR.



オリジナル取扱説明書

1 文書について

1.1 本書について

- ご使用前に本書をすべてお読みください。このことは、安全な作業と問題のない取扱いのための前提条件となります。
- 本書および製品に記載されている安全上の注意と警告表示に注意してください。
- 取扱説明書は常に製品とともに保管し、他の人が使用する場合には、製品と取扱説明書を一緒にお渡しください。

1.2 記号の説明

1.2.1 警告表示

警告表示は製品の取扱いにおける危険について警告するものです。以下の注意喚起語が使用されています：

危険

危険！

- ▶ この表記は、重傷あるいは死亡事故につながる危険性がある場合に注意を促すために使われます。

警告

警告！

- ▶ この表記は、重傷あるいは死亡事故につながる可能性がある場合に注意を促すために使われます。

注意

注意！

- ▶ この表記は、身体の負傷あるいは物財の損傷が発生する可能性がある場合に使われます。

1.2.2 取扱説明書の記号

この取扱説明書では、以下の記号が使用されています：

	取扱説明書に注意してください
	本製品を効率良く取り扱うための注意事項や役に立つ情報
	リサイクル可能な部品の取扱い
	電動工具およびバッテリーを一般ゴミとして廃棄してはなりません
	Hilti Li-Ion バッテリー
	Hilti 充電器

1.2.3 図中の記号

図中では以下の記号が使用されています：

	この数字は本取扱説明書冒頭にある該当図を示しています。
	付番は図中の作業手順の順序に対応していて、本文の作業手順とは一致しない場合があります。
	概要図には項目番号が付されていて、製品概要セクションの凡例の番号に対応しています。
	この記号は、製品の取扱いの際に特に注意が必要なことを示しています。



1.3 製品により異なる記号

1.3.1 製品に表示されている記号

製品には以下の記号が使用されている場合があります：

	本製品は、iOS および Android プラットフォームと互換性のある NFC テクノロジーをサポートしています。
	回転のみ
	回転 + 打撃 (回転 + 打撃)
	チゼル角度調整
	ハツリ作業
	正逆回転機能
n_0	無負荷回転数
	直流
Li-Ion	Li-Ionen バッテリー
	バッテリーは決して打撃工具として使用しないでください。
	バッテリーは落下させないでください。ぶついたり、あるいはその他の理由で損傷しているバッテリーは使用しないでください。

1.4 製品情報

HILTI 製品はプロ仕様で製作されており、その使用、保守、修理を行うのは、認定を受けトレーニングされた人のみに限ります。これらの人は、遭遇し得る危険に関する情報を入手していなければなりません。製品およびアクセサリーの使用法を知らない者による誤使用、あるいは規定外の使用は危険です。機種名および製造番号は銘板に表示されています。

- ▶ 製造番号を以下の表に書き写しておいてください。ヒルティ代理店やサービスセンターへお問い合わせの際には、製品データが必要になります。

製品データ

ロータリーハンマードリルSDS-Plus	TE 6-22
製品世代	05
製造番号	

1.5 適合宣言

製造者は、単独の責任において本書で説明している製品が有効な法規と有効な標準規格に適合していることを宣言します。適合宣言書の複写は本書の末尾にあります。

技術資料は本書の後続の頁に記載されています：

Hilti Entwicklungsgesellschaft mbH | Zulassung Geräte | Hiltistraße 6 | 86916 Kaufering, DE

2 安全

2.1 電動工具の一般安全注意事項

⚠ 警告事項 本電動工具に付属のすべての安全上の注意、指示事項、図、および製品仕様をお読みください。以下の指示を守らないと、感電、火災および / または重傷事故の危険があります。

安全上の注意および指示事項が書かれた説明書はすべて大切に保管してください。

安全上の注意で使用する用語「電動工具」とは、お手持ちの電動ツール（電源コード使用）またはバッテリーツール（コードレス）を指します。

作業環境に関する安全

- ▶ 作業場はきれいに保ち、十分に明るくしてください。ちらかった暗い場所での作業は事故の原因となります。



- ▶ 爆発の危険性のある環境（可燃性液体、ガスおよび粉じんのある場所）では電動工具を使用しないでください。電動工具から火花が飛散し、粉じんや揮発性ガスに引火する恐れがあります。
- ▶ 電動工具の使用時、子供や無関係者を作業場へ近づけないでください。作業中に気がそらされると、本体のコントロールを失ってしまう恐れがあります。

電気に関する安全注意事項

- ▶ 電動工具の接続プラグは電源コンセントにきちんと適合しなければなりません。プラグは絶対に変更しないでください。保護接地した電動工具と一緒にアダプタープラグを使用しないでください。オリジナルのプラグと適切なコンセントを使用することにより、感電の危険を小さくすることができます。
- ▶ パイプ、ラジエーター、電子レンジ、冷蔵庫などのアースされた面に体の一部が触れないようにしてください。体が触れると感電の危険が大きくなります。
- ▶ 電動工具を雨や湿気から保護してください。電動工具に水が浸入すると、感電の危険が大きくなります。
- ▶ 電動工具を持ち運んだり、吊り下げたり、コンセントからプラグを抜いたりするときは、必ず本体を持ち、電源コードを持って引張り張つたりしないでください。電源コードを火気、オイル、鋭利な刃物、可動部等に触れる場所に置かないでください。電源コードが損傷したり絡まったりしていると、感電の危険が大きくなります。
- ▶ 屋外工事の場合には、必ず屋外専用の延長コードを使用してください。屋外専用の延長コードを使用すると、感電の危険が小さくなります。
- ▶ 湿った場所で電動工具を動作させる必要がある場合は、漏電遮断器を使用してください。漏電遮断器を使用すると、感電の危険が小さくなります。

作業に関する安全

- ▶ 電動工具を使用の際には、油断せずに十分注意し、常識をもった作業をおこなってください。疲れている場合、薬物、医薬品服用およびアルコール飲用による影響下にある場合には電動工具を使用しないでください。電動工具使用中の一瞬の不注意が重傷の原因となることがあります。
- ▶ 個人用保護具および保護メガネを常に着用してください。負傷の危険を低減するために、電動工具の使用状況に応じた粉じんマスク、耐滑性の安全靴、ヘルメット、耳栓などの個人用保護具を着用してください。
- ▶ 電動工具の意図しない始動を防止して下さい。電動工具を電源および / またはバッテリーに接続する前や本体を持ち上げたり運んだりする前に、本体がオフになっていることを必ず確認してください。オン / オフスイッチが入っている状態で電動工具のスイッチに指を掛けたまま運んだり、電源に接続したりすると、事故の原因となる恐れがあります。
- ▶ 電動工具のスイッチを入れる前に、必ず調節キーやレンチを取り外してください。調節キーやレンチが本体の回転部に装着されたままでは、けがの原因となる恐れがあります。
- ▶ 作業中は不安定な姿勢をとらないでください。足元を安定させ、常にバランスを保つようにしてください。これにより、万一電動工具が異常状況に陥った場合にも、適切な対応が可能となります。
- ▶ 作業に適した作業着を着用してください。だぶだぶの衣服や装身具を着用しないでください。髪、衣服、手袋を本体の可動部に近づけないでください。だぶだぶの衣服、装身具、長い髪が可動部に巻き込まれる恐れがあります。
- ▶ 吸じんシステムの接続が可能なお場合には、これらのシステムが適切に接続、使用されていることを確認してください。吸じんシステムを利用することにより、粉じん公害を防げます。
- ▶ 電動工具の取扱いに熟練している場合にも、正しい安全対策を遵守し、電動工具に関する安全規則を無視しないでください。不注意な取扱いは、ほんの一瞬で重傷事故を招くことがあります。

電動工具の使用および取扱い

- ▶ 無理のある使用を避けてください。作業用途に適した電動工具を使用してください。適切な電動工具の使用により、効率よく、スムーズかつ安全な作業が行えます。
- ▶ スwitchが故障している場合には、電動工具を使用しないでください。スイッチで始動および停止操作のできない電動工具は危険ですので、修理が必要です。
- ▶ 本体の設定やアクセサリーの交換を行う前や本体を保管する前には電源プラグをコンセントから抜き、および / または脱着式のバッテリーを取り外してください。この安全処置により、電動工具の意図しない始動を防止することができます。
- ▶ 電動工具をご使用にならない場合には、子供の手の届かない場所に保管してください。電動工具に関する知識のない方、本説明書をお読みでない方による本体のご使用は避けてください。未経験者による電動工具の使用は危険です。
- ▶ 電動工具とアクセサリーは慎重に手入れしてください。可動部分が引っ掛かりなく正常に動作しているか、電動工具の運転に影響を及ぼす各部分が破損・損傷していないかを確認してください。電動工具をご使用になる前に、損傷部分の修理を依頼してください。事故の多くは保守管理の不十分な電動工具の使用が原因となっています。
- ▶ 先端工具は鋭利で汚れのない状態を保ってください。お手入れのゆきとどいた先端工具を使用すると、作業が簡単かつ、スムーズになります。



- ▶ 電動工具、アクセサリ、先端工具などは、それらの説明書に記載されている指示に従って使用してください。その際は、作業環境および用途についてもご注意ください。指定された用途以外に電動工具を使用すると危険な状況をまねく恐れがあります。
- ▶ グリップやグリップ面は乾燥した清潔な状態に保ち、オイルやグリスの付着がないようにしてください。グリップやグリップ面が滑りやすい状態になっていると、予期していない状況が発生した際に電動工具を安全に使用 / 制御できません。

バッテリー工具の使用および取扱い

- ▶ バッテリーを充電する場合は、必ずメーカー推奨の充電器を使用してください。特定タイプのバッテリー専用の充電器を他のバッテリーに使用すると、火災の恐れがあります。
- ▶ 電動工具には、必ず指定されたバッテリーを使用してください。指定以外のバッテリーを使用すると、負傷や火災の恐れがあります。
- ▶ 使用されていないバッテリーの近くに、事務用クリップ、硬貨、キー、釘、ネジ、その他の小さな金属物を置かないでください。電気接点の短絡が起こることがあります。バッテリーの電気接点間が短絡すると、火傷や火災が発生する危険があります。
- ▶ 正しく使用しないと、液漏れが発生することがあります。その場合、漏れた液には触れないでください。もしも触れてしまった場合は、水で洗い流してください。バッテリー液が眼に入った場合は、水で洗い流してから医師の診察を受けてください。流出したバッテリー液により、皮膚が刺激を受けたり火傷を負う恐れがあります。
- ▶ 損傷したあるいは変更が加えられたバッテリーは使用しないでください。損傷したあるいは変更が加えられたバッテリーは、予測不可能な挙動により爆発あるいは負傷事故を発生させる危険があります。
- ▶ バッテリーは火気あるいは高温に曝さないでください。火気あるいは 130 °C (265 °F) を超える高温は、爆発の原因となることがあります。
- ▶ 充電に関するすべての指示事項に従い、バッテリーあるいはバッテリー工具は、決して取扱説明書に記載された温度範囲外で充電しないでください。正しくない充電あるいは許容温度範囲外の充電により、バッテリーが破壊され火災が発生する危険があります。

サービス

- ▶ 電動工具の修理は必ず認定サービスセンターにお申し付けください。また、必ず純正部品を使用してください。これにより電動工具の安全性が確実に維持されます。
- ▶ 損傷したバッテリーは決して手入れや保守を行わないでください。バッテリーの保守作業はすべて、メーカーあるいは権限のあるお客様サービスセンターが行うものとします。

2.2 ハンマーに関する安全上の注意

- ▶ 耳栓を着用してください。騒音により、聴覚に悪影響が出る恐れがあります。
- ▶ 本体には一緒に納品された補助ハンドルを使用してください。これ以外のハンドルを使用すると、コントロールを失ってけがをする恐れがあります。
- ▶ 先端工具が隠れた電線に接触する可能性のある作業を行う場合は、必ず本体の絶縁されたグリップを持ってください。通電しているケーブルと接触すると、本体の金属部分にも電圧がかかり、感電の危険があります。

2.3 その他の安全上の注意

作業者に関する安全

- ▶ 本製品とアクセサリは、必ず技術的に問題のない状態で使用してください。
- ▶ 本製品あるいはアクセサリには、決して加工や改造を加えないでください。
- ▶ 先端工具およびチャックは使用することで熱くなるので、先端工具の交換時には保護手袋を着用してください。
- ▶ 本製品は、その用途に応じて高いトルクを発生します。本製品は、常に両手でグリップを掴んでしっかりと保持してください。作業者は、先端工具が突然噛んだ場合に備えてください。
- ▶ サイドハンドルが正しく取り付けられ、しっかりと固定されていることを確認してください。サイドハンドルは常に外側を掴んでください。
- ▶ 作業により母材の破砕片が生ずる場合があります。破片が身体の一部、眼などを傷つけることもあります。本製品の使用時には、アイシールド、保護ヘルメットおよび耳栓を着用してください。集じん装置を使用しない場合は、防じんマスクも着用してください。
- ▶ 剥がし作業の場合には、作業側と反対の領域を保護してください。剥がれた部分が脱落、落下して他の人を負傷させる危険があります。
- ▶ 天井、壁および床のハツリ作業の際には、足元がしっかりと安定していることを確認してください。足場が突然に壊れると、バランスを失う危険があります。
- ▶ 回転部品に触れないでください - 負傷の危険！
- ▶ 通気溝は常にふさがないようにしてください。通気溝が覆われることによる火傷の危険！



- ▶ 本製品は、作業位置に運んでからスイッチを入れるようにしてください。
- ▶ 粉じんが非常に多い環境では作業を行わないでください。
- ▶ 研磨、紙やすり研磨、切断および穿孔の際に発生する粉じんは、化学物質を含んでいる場合があります。これには、鉛、あるいは鉛ベースの塗料、レンガ、コンクリートおよびその他の壁用資材、自然石およびその他の珪酸塩含有製品、樫、樫などの特定の木材、および化学処理の施された木材、アスベストあるいはアスベストが含まれる母材、などが考えられます。作業対象の資材の危険等級により、作業者および周囲の人員の曝露を確認してください。曝露を安全なレベルに維持するために、粉じん吸引システムの使用、あるいは適切な防じんマスクの着用などの必要な処置を取ってください。曝露の低減のための一般的な処置としては、以下のようなものがあります：
 - ▶ 十分に換気された領域での作業
 - ▶ 粉じんと長時間の接触の回避
 - ▶ 粉じんを顔や体から遠ざける
 - ▶ 保護服を着用し、水と石鹸で曝露領域を洗浄する
- ▶ 頻繁に休憩を取って、指を動かして血行を良くするように心がけてください。長時間作業の際には、強い振動により指、手あるいは手首の関節の血管あるいは神経系に障害が発生する可能性があります。
- ▶ ランプ (LED) を直接のぞき込んだり、LED で他の人の顔を照射したりしないでください。眼がくらむ恐れがあります。
- ▶ 湿気が入らないようにしてください。湿気に起因する短絡は、火災あるいは火傷の原因となることがあります。
- ▶ 落下する先端工具および / またはアクセサリーによる負傷の危険。作業を開始する前に、バッテリーおよび取り付けられたアクセサリーが確実に固定されていることを確認してください。
- ▶ ベルトフックを本製品に固定しないでください。

電気に関する安全注意事項

- ▶ 作業を開始する前に、作業領域に埋設された電線、ガス管や水道管がないかを調査してください。電線、ガス管あるいは水道管を損傷すると、本製品外側の金属部分での感電事故、あるいは爆発が発生する可能性があります。

電動工具の慎重な取扱いおよび使用

- ▶ 先端工具がブロックしたら直ちに本製品をオフにします。本製品が横にそれることがあります。
- ▶ 本製品は完全に停止するまで置かないでください。

2.4 バッテリーの慎重な取扱いおよび使用

- ▶ **Li-Ion** バッテリーの安全な取扱いと使用のために、以下の安全上の注意を遵守してください。これを守らないと、皮膚の炎症、重篤な腐食負傷、化学火傷、火災および / あるいは爆発の原因となることがあります。
- ▶ バッテリーは、必ず技術的に問題のない状態で使用してください。
- ▶ 損傷を防止して健康にとってきわめて危険なバッテリー液の漏出を防ぐため、バッテリーは慎重に取り扱ってください！
- ▶ バッテリーは決して改造したり手を加えたりしないでください！
- ▶ バッテリーを分解したり、挟んだり、80°C (176°F) 以上に加熱したり、燃やしたりしないでください。ぶついたり、あるいはその他の損傷を受けたバッテリーは、使用したり充電したりしないでください。バッテリーは、損傷の痕跡がないか定期的に点検してください。
- ▶ リサイクルあるいは修理されたバッテリーは、決して使用しないでください。
- ▶ バッテリーまたはバッテリー式電動工具は、決して打撃工具として使用しないでください。
- ▶ バッテリーは、決して直射日光、高温、火花の発生、裸体に曝さないでください。これを守らないと、爆発の原因となることがあります。
- ▶ バッテリーの電極に、指、工具、装身具あるいはその他の導電性のある物体で触れないようにしてください。これを守らないと、バッテリーの損傷、物財の損傷および負傷の原因となることがあります。
- ▶ バッテリーを雨、湿気、液体から保護してください。バッテリー内に湿気が入り込むと、短絡、感電、火傷、火災あるいは爆発の原因となることがあります。
- ▶ 必ずご使用のバッテリータイプ用に指定された充電器と電動工具を使用してください。これについては、充電器や電動工具の取扱説明書の記述を確認してください。
- ▶ バッテリーは、爆発の可能性がある場所で使用あるいは保管しないでください。

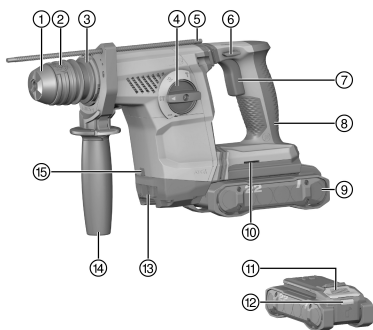


- ▶ バッテリーが掴むことのできないほどに熱くなっている場合は、故障している可能性があります。バッテリーを、目視確認が可能で可燃物のない場所に、可燃性の資材から十分な距離を設けて置いてください。バッテリーを冷ます。1時間の経過後にも掴むことのできないほどに熱い場合は、そのバッテリーは故障している可能性があります。**Hilti** サービスセンターにご連絡いただくか、あるいは「**Hilti** の Li-Ion バッテリーの安全と使用についての注意事項」をお読みください。

i Li-Ion バッテリーの搬送、保管および使用に適用される特別の規則を遵守してください。→ 頁 127
本取扱説明書巻末の QR コードをスキャンして、**Hilti** の Li-Ion バッテリーの安全と使用についての注意事項をお読みください。

3 製品の説明

3.1 製品概要



- ① 防じんカバー
- ② ブレードクランプ / ブレードホルダー
- ③ 集じんモジュール接続部
- ④ 機能切り替えスイッチ
- ⑤ デプスゲージ
- ⑥ 正回転 / 逆回転切り替えスイッチ (スイッチインターロック付き)
- ⑦ 無段変速スイッチ
- ⑧ グリップ
- ⑨ バッテリー
- ⑩ アクセサリーの取り付用開口部
- ⑪ バッテリーリリースボタン
- ⑫ バッテリーステータス表示
- ⑬ TE DRS-46 (01) 集じんモジュール接続部
- ⑭ サイドハンドル
- ⑮ 作業用照明 (LED)

3.2 正しい使用

本書で説明している製品は、SDS-Plus 充電式ロータリーハンマードリルです。本製品は、鋼材、木材および石材への穿孔 (回転のみ)、コンクリートおよび石材への打撃穿孔、ならびにネジの取付け、取外し用の工具です。さらに、本製品は石材への軽度のハツリ作業、およびコンクリートへの再加工作業に使用できます。

- 本製品には、必ず **Hilti** Nuron の B 22 シリーズの Li-Ion バッテリーを使用してください。最適な出力を得るため、**Hilti** は本製品に対して本取扱説明書の巻末の表に記載されているバッテリーをお勧めします。
- これらのバッテリーには、必ず本取扱説明書の巻末の表に記載されているシリーズの **Hilti** の充電器を使用してください。

3.3 本体標準セット構成

SDS-Plus ロータリーハンマードリル、サイドハンドル、デプスゲージ、グリス、取扱説明書。
粉じんの飛散を防止するために、アクセサリーとして TE DRS-46 (01) 集じんモジュールが提供されています。その他ご使用の製品用に許可されたシステム製品については、弊社営業担当または **Hilti Store** にお問い合わせいただくか、あるいは www.hilti.group でご確認ください。

3.4 Li-Ion バッテリーのインジケーター

Hilti Nuron Li-Ion バッテリーは、充電状態、エラーメッセージ、およびバッテリーの状態を表示することができます。

3.4.1 充電状態およびエラーメッセージの表示



警告

負傷の危険 バッテリーの落下!

- ▶ バッテリーを装着した状態でリリースボタンを押した後は、バッテリーを確実に正しく使用する製品に再ロックするようにしてください。



次の表示を確認するには、バッテリーのリリースボタンを短く押してください。
 充電状態および不具合は、接続されている製品がオンになっている間常時表示されます。

状態	意味
4 個の LED (4) が常時緑色で点灯	充電状態：100 %...71 %
3 個の LED (3) が常時緑色で点灯	充電状態：70 %...51 %
2 個の LED (2) が常時緑色で点灯	充電状態：50 %...26 %
1 個の LED (1) が常時緑色で点灯	充電状態：25 %...10 %
1 個の LED (1) がゆっくり緑色で点滅	充電状態：< 10 %
1 個の LED (1) が高速で緑色で点滅	Li-Ion バッテリーは完全に放電しています。バッテリーを充電してください。 バッテリーの充電の後にも LED が高速で点滅する場合は、Hilti サービスセンターにご連絡ください。
1 個の LED (1) が高速で黄色で点滅	Li-Ion バッテリーまたは接続されている製品が過負荷、過熱、低温の状態にあるか、あるいはその他の不具合が発生しています。 製品とバッテリーを推奨動作温度にし、使用時に製品が過負荷にならないようにしてください。 メッセージが引き続き出力される場合は、Hilti サービスセンターにご連絡ください。
1 個の LED (1) が黄色で点灯	Li-Ion バッテリーとそれと接続されている製品とに互換性がありません。Hilti サービスセンターにご連絡ください。
1 個の LED (1) が高速で赤色で点滅	Li-Ion バッテリーはロックされていて、使用できません。Hilti サービスセンターにご連絡ください。

3.4.2 バッテリーの状態に関する表示

バッテリーの状態を確認するには、リリースボタンを 3 秒を超えて押し続けてください。システムは、落下、異物の貫入、外部の熱源による損傷などの誤った使用に起因するバッテリーの機能異常については検知しません。

状態	意味
すべての LED がチェイサーライトとして点灯し、続いて 1 個の LED (1) が常時緑色で点灯。	バッテリーは引き続き使用することができます。
すべての LED がチェイサーライトとして点灯し、続いて 1 個の LED (1) が速く黄色で点滅。	バッテリーの状態確認を終了することができませんでした。手順を繰り返すか、Hilti サービスセンターにご連絡ください。
すべての LED がチェイサーライトとして点灯し、続いて 1 個の LED (1) が常時赤色で点灯。	接続されている製品を引き続き使用できる場合、バッテリーの残り容量は 50% 未満です。 接続されている製品を引き続き使用することができない場合、バッテリーは寿命に達していて交換の必要があります。Hilti サービスセンターにご連絡ください。

4 製品仕様

EPTA Procedure 01 に準拠した重量 (バッテリーなし)	2.84 kg
1 回当たりの打撃力 (EPTA プロシージャ 05 準拠)	2.6 J
コンクリート / 石材への穿孔 (ハンマードリルビット)	4 mm ... 28 mm
作動時の周囲温度	-17 °C ... 60 °C
保管温度	-20 °C ... 70 °C



4.1 バッテリー

バッテリー作動電圧	21.6 V
バッテリー重量	本取扱説明書の巻末を参照してください
作動時の周囲温度	-17 °C ... 60 °C
保管温度	-20 °C ... 40 °C
充電開始時のバッテリー温度	-10 °C ... 45 °C

4.2 騒音および振動値について (EN 60745 準拠)

本説明書に記載されているサウンドプレッシャー値および振動値は、規格に準拠した測定方法に基づいて測定したものです。電動工具を比較するのにご使用いただけます。曝露値の暫定的な予測にも適しています。記載されているデータは、電動工具の主要な使用方法に対する値です。電動工具を他の用途で使用したり、異なる先端工具を取り付けて使用したり、手入れや保守が十分でないまま使用した場合には、データが異なることがあります。このような相違により、作業時間全体で曝露値が著しく高くなる可能性があります。曝露値を正確に予測するためには、本体のスイッチをオフにしている時間や、本体が作動していても実際には使用していない時間も考慮しなければなりません。このような相違により、作業時間全体で曝露値が著しく低くなる可能性があります。作業者を騒音および / または振動による影響から保護するために、他にも安全対策を立ててください (例：電動工具およびの先端工具の手入れや保守、手を冷やさないようにする、作業手順の計画を立てる)。

騒音排出値

排出サウンドプレッシャーレベル (L_{pA})	91 dB(A)
サウンドプレッシャーレベルの不確実性 (K_{pA})	3 dB(A)
サウンドパワーレベル (L_{WA})	102 dB(A)
サウンドパワーレベルの不確実性 (K_{WA})	3 dB(A)

合計振動値

		TE 6-22	TE 6-22 + TE DRS-46 (01)
コンクリートへの打撃穿孔 ($a_{h, HD}$)	B 22-85	10.7 m/s ²	10.6 m/s ²
	B 22-170	10.4 m/s ²	11.3 m/s ²
ハツリ作業	B 22-85	6.3 m/s ²	5.5 m/s ²
	B 22-170	6.3 m/s ²	6.0 m/s ²
不確実性 (K)		1.5 m/s ²	1.5 m/s ²

5 作業準備

警告

負傷の危険 意図しない始動!

- ▶ バッテリーを装着する前に、バッテリーを装着する製品のスイッチがオフになっていることを確認してください。
- ▶ 本体の設定、またはアクセサリーの交換の前にバッテリーを取り外してください。

本書および製品に記載されている安全上の注意と警告表示に注意してください。

5.1 バッテリーを充電する

1. 充電の前に充電器の取扱説明書をお読みください。
2. バッテリーと充電器の電気接点は汚れがなく、乾燥していることを確認してください。
3. バッテリーは許可された充電器で充電してください。→ 頁 121



5.2 バッテリーを装着する

警告

負傷の危険 短絡あるいはバッテリーの落下！

- ▶ バッテリーを装着する前に、バッテリーの電気接点と製品の電気接点に異物がないことを確認してください。
- ▶ バッテリーが正しくロックされていることを常に確認してください。

1. はじめてお使いになる前にバッテリーをフル充電してください。
2. ロックの音が聞こえるまでバッテリーを製品へとスライドさせます。
3. バッテリーがしっかりと装着されていることを確認してください。

5.3 バッテリーを取り外す

1. バッテリーのリリースボタンを押します。
2. 製品からバッテリーを抜き取ります。

5.4 サイドハンドルを取り付ける

1. グリップを回してサイドハンドルのホルダー（クランピングバンド）を緩めます。
2. ホルダー（クランピングバンド）を前方から取付け用溝のところまでスライドさせてチャックへと取り付けます。
3. サイドハンドルをご希望の位置にします。
4. グリップを回してサイドハンドルのホルダー（クランピングバンド）を張ります。

5.5 先端工具を装着する



先端工具のコネクションエンドにグリスを軽く塗布します。

必ず Hilti の純正グリスを使用してください。不適切なグリスを使用すると製品損傷の原因となることがあります。

1. 先端工具をチャックに挿入し、軽く押し付けながらカチッとかみ合う音がするまで回します。
2. 装着後に先端工具を引っ張り、ロックされているか確認します。
 - ▶ 製品は作動可能状態です。

5.6 先端工具を取り外す

注意

先端工具による負傷の危険！ 先端工具は熱くなっていたり、エッジが鋭くなっている場合があります。

- ▶ 先端工具を交換する際には保護手袋を着用してください。

1. チャックロックスリーブをストップ位置まで戻します。
2. 先端工具を取り外します。

5.7 デプスゲージを取り付ける / 調整する

1. サイドハンドルのロック解除ボタンを押し続けます。
2. デプスゲージを前方からサイドハンドルの開口部に差し込みます。デプスゲージをご希望の穿孔深さにセットします。
3. ロック解除ボタンから指を放します。
 - ▶ デプスゲージはロックされています。

5.8 転倒防止装置

警告

負傷の危険 先端工具および / あるいはアクセサリーの落下！

- ▶ 必ずご使用の製品用に推奨されている Hilti の工具保持ローブを使用してください。
- ▶ 使用前の毎回、工具保持ローブの固定ポイントに損傷がないか点検してください。





ご使用の国において適用される高所での作業に関する規則に注意してください。

本製品の落下防止には、必ずHiltiの落下暴発防止装置およびHiltiの工具保持ロープ#2261970を組み合わせて使用してください。

- ▶ 落下暴発防止装置をアクセサリ用の取り付け開口部に固定してください。しっかりと固定されていることを確認してください。
- ▶ 工具保持ロープのスナップフックを落下暴発防止装置に固定し、第2のスナップフックを支持構造物に固定します。両方のスナップフックがしっかりと固定されていることを確認してください。



Hilti 落下暴発防止装置およびHilti 工具保持ロープの取扱説明書の記載に注意してください。

6 ご使用方法

本書および製品に記載されている安全上の注意と警告表示に注意してください。

6.1 スイッチのオン / オフ

1. 本製品をオンにするには、コントロールスイッチを押します。
 - ▶ コントロールスイッチを押す深さにより回転数を無段階に調整することができます。
2. 本製品をオフにするには、コントロールスイッチから指を放します。

6.2 回転方向

- ▶ 回転方向を設定します。
 - ▶ スイッチはこの位置でロックされます。


6.3 機能切り替えスイッチ

機能切り替えスイッチを希望の機能にセットしてください。




損傷の危険！ 作動中に機能切り替えスイッチを操作しないでください。


回転のみ

- 機能切り替えスイッチを  にセットします。


回転 + 打撃

- 機能切り替えスイッチを  にセットします。

チゼル角度調整

- 機能切り替えスイッチを  にセットします。

ハツリ作業

- 機能切り替えスイッチを  にセットします。

7 オプションのアクセサリ

7.1 TE DRS-46 (01) 集じんモジュール

TE DRS-46 (01) 集じんモジュールは、のSDS-Plus ロータリーハンマードリル用のアクセサリとして使用するものです。この集じんモジュールは発生する粉じんの大部分を集め、迅速かつ簡単にSDS-Plus ロータリーハンマードリルに固定することができます。集じんモジュールにはサクションファンが内蔵されています。このサクションファンは専用モーターから動力を得ます。SDS-Plus ロータリーハンマードリルをオンにすると、モジュールはSDS-Plus ロータリーハンマードリルのバッテリーから動力のための電流を得ます。この集じんモジュールは、金属や木材への作業には適していません。



TE DRS-4/6 (01) OSHA は OSHA 1926.1153 基準を満たしています (Table 1)。フィルター清掃メカニズムを装備しています。

7.2 頭上作業用集じんモジュールを取り付ける

1. 先端工具を装着します。→ 頁 124
2. 集じんモジュールをチャック上でスライドさせ、SDS-Plus ロータリーハンマードリルのハウジングの溝に取り付けます。
3. 集じんモジュールを反時計方向に回してロックします。

8 手入れと保守



警告

バッテリーを装着した状態における負傷の危険！

- ▶ 手入れや保守作業の前に必ずバッテリーを取り外してください！

製品の手入れ

- 付着した汚れを慎重に除去してください。
- 汚れが付着している場合は、通気溝を乾いた柔らかいブラシを使用して慎重に掃除してください。
- 必ず少し湿した布でハウジングを拭いてください。シリコンを含んだ磨き粉はプラスチック部品をいためる可能性があるため使用しないでください。
- 本製品の電気接点を清掃するには、清潔な乾いた布を使用してください。

Li-Ion バッテリーの手入れ

- 通気溝が詰まっているバッテリーは決して使用しないでください。通気溝を乾いた柔らかいブラシを使用して慎重に掃除してください。
- バッテリーを不必要に粉じんや汚れに曝さないようにしてください。バッテリーは、決して高い温度に曝さないでください (例: 水中に沈める、あるいは雨中に放置する)。水分が浸入したバッテリーは、損傷したものと取り扱ってください。そのようなバッテリーは不燃性の容器に隔離し、Hilti サービスセンターにご連絡ください。
- バッテリーには、本製品に使用しているのではないオイルやグリスが付着しないようにしてください。バッテリーに不必要な粉じんあるいは汚れが堆積しないようにしてください。バッテリーは、乾いた柔らかいブラシまたは乾いた布で清掃してください。シリコンを含んだ磨き粉はプラスチック部品をいためる可能性があるため使用しないでください。バッテリーの電気接点に手を触れないでください、また、工場出荷時に塗布されているグリスを電気接点からぬぐい取らないでください。
- 必ず少し湿した布でハウジングを拭いてください。シリコンを含んだ磨き粉はプラスチック部品をいためる可能性があるため使用しないでください。

保守

- 目視確認可能なすべての部品については損傷の有無を、操作エレメントについては問題なく機能することを定期的に点検してください。
- 損傷および / または機能に問題のある場合は、本製品を使用しないでください。速やかに Hilti サービスセンターに本製品の修理を依頼してください。
- 手入れおよび保守作業の後には、すべての安全機構を取り付けて、それらが問題なく作動するか点検してください。



安全な作動のために、必ず純正のスベアパーツと消耗品を使用してください。本製品向けに Hilti が承認したスベアパーツ、消耗品およびアクセサリは、弊社営業担当または Hilti Store にお問い合わせいただくか、あるいは www.hilti.group

8.1 防じんカバーの清掃

- ▶ チャックの防じんカバーは、清潔な乾いた布で定期的に清掃してください。
- ▶ シーリングリップをていねいに拭き、Hilti グリスを薄く塗布します。
- ▶ シーリングリップに損傷がある場合は、防じんカバーを必ず交換してください。



9 バッテリー式工具およびバッテリーの搬送および保管

搬送

⚠ 注意

搬送時の予期しない始動！

- ▶ お使いの製品は、必ずバッテリーを装着していない状態で搬送してください！
- ▶ バッテリーを取り外してください。
- ▶ バッテリーは決して梱包しない状態で搬送しないでください。搬送中のバッテリーは、他のバッテリー電極と接触して短絡の原因となることを防ぐために、過大な衝撃や振動から保護し、あらゆる導電性の物体あるいは他のバッテリーから隔離する必要があります。バッテリーの搬送に関する各国（地域）の規則を遵守してください。
- ▶ バッテリーは郵送しないでください。損傷していないバッテリーを送付する場合は、運送業者を手配してください。
- ▶ 使用の前にその都度、また長距離の搬送の前後には、製品とバッテリーに損傷がないか点検してください。

保管上の注意事項

⚠ 警告

故障したあるいは液漏れしたバッテリーによる予期しない損傷！

- ▶ お使いの製品は、必ずバッテリーを装着していない状態で保管してください！
- ▶ 製品とバッテリーは涼しくて乾燥した場所に保管してください。製品仕様に記載されている温度の限界値に注意してください。
- ▶ バッテリーは充電器内で保管しないでください。充電の後は、必ずバッテリーを充電器から取り出してください。
- ▶ バッテリーを太陽の直射下、熱源の上、窓際等で保管しないでください。
- ▶ 製品およびバッテリーは、子供や権限のない人が手を触れることのないようにして保管してください。
- ▶ 使用の前にその都度、また長期にわたる保管の前後には、製品とバッテリーに損傷がないか点検してください。

10 故障時のヒント

すべての不具合において、バッテリーの充電状態および故障インジケーターを確認してください。Li-Ionバッテリーのインジケーターの章を参照してください。この表に記載されていない、あるいはご自身で解消することのできない故障が発生した場合には、弊社営業担当またはHilti サービスセンターにご連絡ください。

故障	考えられる原因	解決策
コントロールスイッチが押せない、あるいは動かない。	正回転 / 逆回転切り替えスイッチが中立位置。	▶ 正回転 / 逆回転切り替えスイッチを右または左へ押してください。
本体スピンドルが回転しない。	バッテリーが完全に装着されていない。	▶ バッテリーを「カチッ」と音がするまでロックします。
	正回転 / 逆回転切り替えスイッチが中立位置。	▶ 正回転 / 逆回転切り替えスイッチを右または左へ押してください。
	機能切り替えスイッチがロックされていない、または「ハツリ作業」 T か「チゼル角度調整」 ⇄ の位置になっている。	▶ 停止状態において、機能切り替えスイッチを「回転のみ」 ↺ または「回転 + 打撃」 ⚡T の位置にします。
打撃がない。	製品温度が低すぎる。	▶ 製品を母材に接触させて、アイドリング回転させます。打撃機構が作動するまでこれを繰り返してください。
	機能切り替えスイッチが「回転のみ」 ↺ に設定されている。	▶ 機能切り替えスイッチを「回転 + 打撃」 ⚡T にします。
バッテリーの消耗が通常よりも早い。	バッテリーの状態が好ましくない。	▶ バッテリーの状態を確認してください。→ 頁 121



故障	考えられる原因	解決策
バッテリーが「カチツ」と音がするまでロックされない。	バッテリーのロックノッチが汚れている。	▶ ロックノッチを清掃してバッテリーを改めてロックしてください。
バッテリーのLEDに何も表示されない	バッテリーの故障	▶ Hilti サービスセンターにご連絡ください。
製品あるいはバッテリーが非常に熱くなる。	電氣的故障	▶ 製品を直ちにオフにしてください。バッテリーを取り外して点検します。バッテリーを冷ましてください。Hilti サービスセンターに連絡してください。
先端工具をロックから取り出せない。	チャックが完全に引き戻されていない。	▶ チャックロックスリーブをストップ位置まで引き戻し、先端工具を取り外してください。
先端工具が切削しない。	製品が逆回転にセットされている。	▶ 正回転 / 逆回転切り替えスイッチを正回転にしてください。
	機能切り替えスイッチが「回転のみ」 に設定されている。	▶ 機能切り替えスイッチを「回転 + 打撃」 にします。

11 廃棄



警告

誤った廃棄による負傷の危険！ 漏出するガスあるいはバッテリー液により健康を損なう危険があります。

- ▶ 損傷したバッテリーを送付しないでください！
- ▶ 短絡を防止するために接続部を非導電性のもので覆ってください。
- ▶ バッテリーは子供が手を触れることのないように廃棄してください。
- ▶ バッテリーの廃棄は、最寄りのHilti Store あるいは適切な廃棄物処理業者に依頼してください。

Hilti 製品の大部分の部品はリサイクル可能です。リサイクル前にそれぞれの部品は分別して回収されなければなりません。多くの国でHilti は、古い工具をリサイクルのために回収しています。詳細については弊社営業担当またはHilti 代理店・販売店にお尋ねください。



- ▶ 電動工具、電子機器およびバッテリーを一般ゴミとして廃棄してはなりません！

12 メーカー保証

- ▶ 保証条件に関するご質問は、最寄りのHilti 代理店・販売店までお問い合わせください。

13 その他の情報

ご使用方法、技術、環境保護およびリサイクルに関するその他の情報については、qr.hilti.com/manual?id=2264935&id=2264937 のリンクをご確認ください。このリンクは、本書の巻末にも QR コードとして記載されています。

오리지널 사용 설명서

1 문서 관련 기재사항

1.1 본 문서에 대해

- 처음 사용하기 전에 본 문서 전체를 읽으십시오. 안전하게 작업하고 문제 없이 취급하기 위한 전제가 됩니다.
- 본 문서 및 제품에 나와 있는 안전 지침 및 경고 지침에 유의하십시오.
- 항상 제품에 있는 사용 설명서를 잘 보관하고 제품은 반드시 본 지침과 함께 다른 사람에게 전달하십시오.



1.2 기호 설명

1.2.1 경고사항

본 제품을 다루면서 발생할 수 있는 위험에 대한 경고사항. 다음과 같은 시그널 워드가 사용됩니다.



위험

위험!

▶ 이 기호는 직접적인 위험을 표시합니다. 만약 지키지 않으면 심각한 부상을 당하거나 사망할 수도 있습니다.



경고

경고!

▶ 이 기호는 잠재적인 위험을 표시합니다. 만약 지키지 않으면 심각한 부상을 당하거나 사망할 수도 있습니다.



주의

주의!

▶ 이 기호는 잠재적인 위험 상황을 표시합니다. 만약 지키지 않으면 부상 또는 물적 손실을 입을 수 있습니다.

1.2.2 사용 설명서에 사용된 기호

본 사용 설명서에서 사용되는 기호는 다음과 같습니다.

	사용 설명서에 유의하십시오
	적용 지침 및 기타 유용한 사용정보
	재사용이 가능한 자재 취급방법
	전기 기기 및 배터리를 일반 가정의 쓰레기처럼 폐기해서는 안 됨
	Hilti 리튬 이온 배터리
	Hilti 충전기

1.2.3 그림에 사용된 기호

그림에 다음과 같은 기호가 사용됩니다.

	이 숫자는 본 사용 설명서 첫 부분에 있는 해당 그림을 나타냅니다.
	매겨진 숫자는 작업 단계의 순서를 나타내며, 텍스트에 매겨진 작업 단계와 차이가 있을 수 있습니다.
	항목 번호는 개요 그림에서 사용되며, 제품 개요 단락에 나와 있는 기호 설명 번호를 나타냅니다.
	이 표시는 제품을 다룰 때, 특별히 주의할 사항을 나타냅니다.

1.3 제품 관련 기호

1.3.1 제품에 사용된 기호

제품에 사용되는 기호는 다음과 같습니다.

	본 제품은 iOS 및 Android 플랫폼과 호환 가능한 NFC 기술을 지원합니다.
	함마링 컷아웃
	타격하여 드릴링(함마드릴링)
	치출 각도 조정



T	치즐링
→	정회전/역회전
n₀	무부하 회전속도
---	직류
Li-Ion	리튬이온 배터리
	배터리는 절대 타격 공구로 사용해서는 안 됩니다.
	배터리를 떨어뜨리지 마십시오. 타격을 받은 적이 있거나 다른 손상이 있는 배터리는 사용하지 마십시오.

1.4 제품 정보

HILTI 제품은 전문가용으로 설계되어 있으며, 해당 교육을 이수한 공인된 작업자를 통해서만 조작, 유지 보수 및 수리 작업을 진행할 수 있습니다. 이 기술자는 발생할 수 있는 위험에 대해 특별 교육을 받은 상태여야 합니다. 교육을 받지 않은 사람이 제품을 부적절하게 취급하거나 규정에 맞지 않게 사용할 경우에는 기기와 그 보조기구에 의해 부상을 당할 위험이 있습니다.

형식 명칭 및 일련 번호는 형식 라벨에 제시되어 있습니다.

▶ 일련 번호를 다음의 표에 옮기십시오. 대리점 또는 서비스 센터에 문의할 경우 제품 제원이 필요합니다.

제품 제원

로타리 함마 드릴 SDS-Plus	TE 6-22
세대	05
일련 번호	

1.5 적합성 선언

본 제조사는 단독 책임 하에 여기에 기술된 제품이 통용되는 법 규정 및 규범과 일치함을 밝힙니다. 적합성 증명서 사본은 본 문서 끝 부분에서 확인할 수 있습니다.

기술 문서는 이곳에 기술되어 있습니다.

Hilti Entwicklungsgesellschaft mbH | Zulassung Geräte | Hiltistraße 6 | 86916 Kaufering, DE

2 안전

2.1 전동 공구에 대한 일반적인 안전상의 주의사항

⚠ 경고 해당 전동 공구와 함께 동봉된 모든 안전상의 주의 사항, 지침, 그림 및 기술자료를 숙지하십시오. 다음과 같은 지침 내용을 준수하지 않으면 전기 충격, 화재가 발생하거나 그리고/또는 중상을 입을 수 있습니다. 앞으로 모든 안전상의 주의사항과 지침을 보관하십시오.

안전상의 주의사항에서 사용되는 "전동 공구"라는 개념은 전원에 연결하여 사용하는 전동 공구(전원 케이블 있음) 또는 배터리를 사용하는 전동 공구(전원 케이블 없음)를 의미합니다.

작업장 안전수칙

- ▶ 작업장을 항상 깨끗이 하고 조명이 잘 들도록 하십시오. 어수선한 작업환경 또는 어두운 작업장은 사고를 초래할 수 있습니다.
- ▶ 인화성 액체, 가스 또는 먼지가 있어 폭발 위험이 있는 환경에서는 전동 공구를 사용하지 마십시오. 전동 공구는 먼지나 증기를 점화시킬 수 있는 스파크를 일으킵니다.
- ▶ 전동 공구를 사용할 때, 어린이들이나 다른 사람들이 작업장에 접근하지 못하도록 하십시오. 다른 사람의 방해로 인해 기기를 통제하기 어렵습니다.

전기에 관한 안전수칙

- ▶ 전동 공구의 전원 플러그가 소켓에 잘 끼워져야 합니다. 플러그를 절대 변형시켜서는 안됩니다. 접지된 전동 공구와 함께 아답타 플러그를 사용하지 마십시오. 변형되지 않은 플러그와 적합한 소켓을 사용하면 감전의 위험을 줄일 수 있습니다.
- ▶ 파이프, 히터, 전기레인지, 냉장고와 같은 접지 표면에 신체 접촉을 피하십시오. 신체에 닿을 경우 감전될 위험이 높습니다.
- ▶ 전동 공구가 비에 맞지 않도록 하고 습한 장소에 두지 마십시오. 전동 공구에 물이 들어가면 감전될 위험이 높습니다.



- ▶ 전원 케이블만 잡고 전동 공구를 운반하거나 걸어 놓아서는 안되며, 소켓에서 전원 플러그를 빼낼 때 케이블만 잡은 채로 빼내지 마십시오. 전원 케이블이 열, 오일, 날카로운 모서리 또는 부품의 가동 부위에 접촉하지 않도록 주의하십시오. 손상되거나 서로 꼬인 전원 케이블은 감전 위험을 높입니다.
- ▶ 실외에서 전동 공구를 이용하여 작업할 때, 실외용으로 승인된 연장 케이블만 사용하십시오. 실외용 연장 케이블을 사용하면 감전의 위험을 줄여줍니다.
- ▶ 전동 공구를 습한 환경에서 사용하는 것을 피할 수 없을 경우, 누전 차단기를 사용하십시오. 누전 차단기를 사용하면 감전 위험을 줄일 수 있습니다.

사용자 안전수칙

- ▶ 신중하게 작업하십시오. 작업에 정신을 집중하고 전동 공구를 사용할 때 경솔하게 행동하지 마십시오. 피곤하거나 항정신성 약물, 술 또는 약물 복용시에는 전동 공구를 사용하지 마십시오. 전동 공구 사용 시 이에 유의하지 않을 경우 심각한 부상을 초래할 수 있습니다.
- ▶ 안전 장비를 갖추고 보안을 착용하십시오. 전동 공구의 종류와 사용에 따라, 먼지 보호 마스크, 미끄럼 방지용 안전 신발, 안전모 또는 귀마개 등과 같은 안전한 보호장비를 착용하면 부상의 위험을 줄일 수 있습니다.
- ▶ 실수로 기기가 작동하지 않도록 주의하십시오. 전동 공구를 전원 그리고/또는 배터리에 연결하기 전, 보관 또는 운반 전에 전동 공구가 스위치 OFF 상태인지 확인하십시오. 전동 공구 운반 시 스위치에 손가락을 대거나 스위치가 켜진 상태에서 전원을 연결하면 사고를 유발할 수 있습니다.
- ▶ 전동 공구의 스위치를 켜기 전, 조정공구 또는 렌치를 제거하십시오. 기기 회전부에 남아있는 공구나 렌치로 인해 부상을 입을 수 있습니다.
- ▶ 작업 시 비정상적인 자세는 피하십시오. 안전한 작업자세가 되도록 하고, 항상 균형을 유지하십시오. 이렇게 하여 예기치 않은 상황에서도 전동 공구를 잘 제어할 수 있습니다.
- ▶ 적합한 작업복을 착용하십시오. 헐렁한 복장이나 장식품을 착용하지 마십시오. 작동하는 기기 가동 부위에 머리, 옷 그리고 장갑이 가까이 닿지 않도록 주의하십시오. 헐렁한 복장, 장식품 혹은 긴 머리가 가동 부위에 말려 들어갈 수 있습니다.
- ▶ 먼지 제거장치나 수거장치를 설치할 수 있는 기기의 경우, 이 장치들이 연결되어 있는지 그리고 제대로 작동되는지를 확인하십시오. 먼지 포집장치 사용은 먼지로 인한 위험을 줄여줄 수 있습니다.
- ▶ 이 전동 공구를 여러번 사용해왔다고 해서 안전하다고 안심하지 말고 전동 공구에 해당되는 안전 규칙을 무시하지 마십시오. 부주의하게 행할 경우 아주 짧은 순간에 중상을 입을 수 있습니다.

전동 공구의 취급과 사용

- ▶ 기기에 과부하가 걸리지 않도록 하십시오. 귀하의 작업에 적합한 전동 공구를 사용하십시오. 적합한 전동 공구를 사용하면, 지정된 성능 한도 내에서 더 효율적으로 안전하게 작업할 수 있습니다.
- ▶ 스위치가 고장난 전동 공구는 사용하지 마십시오. 스위치가 작동되지 않는 전동 공구는 위험하므로, 반드시 수리를 해야 합니다.
- ▶ 기기 세팅을 실행, 액세서리를 교환 또는 기기를 보관하기 전에 컨택터를 전원소켓에서 그리고/또는 탈착식 배터리를 기기에서 빼놓으십시오. 이러한 조치는 실수로 전동 공구가 작동하지 않도록 방지합니다.
- ▶ 사용하지 않는 전동 공구는 어린이들의 손이 닿지 않는 곳에 보관하십시오. 기기 사용에 익숙치 않거나 또는 이 안전수칙을 읽지 않은 사람이 기기를 사용해서는 안 됩니다. 비숙련자가 전동 공구를 사용하면 위험합니다.
- ▶ 전동 공구 및 액세서리를 유의해서 관리하십시오. 기기의 가동 부위가 완벽하게 작동하는지, 끼어 있지 않은지, 혹은 부품이 손상되거나 파손되어 있어 전동 공구의 기능을 저하시키지 않는지 점검하십시오. 기기 사용 전 손상된 부품을 수리하도록 하십시오. 제대로 관리되지 않은 전동 공구는 많은 사고를 유발합니다.
- ▶ 절단기기는 날카롭고 깨끗하게 관리하십시오. 날카로운 절단면이 있고 잘 관리된 절단기기는 끼이는 경우가 드물고 조절하기도 쉽습니다.
- ▶ 본 지침에 따라 전동 공구, 액세서리, 공구 비트 등을 사용하십시오. 이 때 작업 조건과 실시하려는 작업 내용을 고려하십시오. 원래 사용 분야가 아닌 다른 작업에 전동 공구를 사용할 경우, 위험한 상황을 초래할 수 있습니다.
- ▶ 손잡이 및 손잡이 표면은 건조하고 깨끗하게, 그리고 오일과 그리스가 묻어있지 않도록 해야 합니다. 미끄러운 손잡이 및 손잡이 표면은 예상치 못한 상황에서 전동 공구를 안전하게 조작하고 제어할 수 없습니다.

배터리 공구의 취급과 사용

- ▶ 제조회사가 권장한 충전기에만 배터리를 충전시키십시오. 특정한 형식의 배터리를 사용하도록 규정되어 있는 충전기에 다른 배터리를 사용할 경우 화재 발생의 위험이 있습니다.
- ▶ 전동 공구에 적합하게 규정된 배터리만 사용하십시오. 다른 배터리를 사용하면 부상을 입을 수 있고, 화재가 발생할 수 있습니다.
- ▶ 배터리를 사용하지 않을 경우 클립, 동전, 키, 못, 나사 또는 다른 소형 금속 물질로부터 사용하지 않는 배터리를 멀리 떨어뜨려 놓아주십시오. 배터리 간 단락으로 인한 연소 또는 화재를 초래할 수 있습니다.
- ▶ 잘못 사용할 경우, 배터리로부터 전해액이 흘러나올 수 있습니다. 전해액을 직접 만지지 마십시오. 실수로 만졌을 경우, 물로 씻으십시오. 전해액이 눈에 들어갔으면, 의사와 상담하십시오. 배터리로부터 흘러나온 전해액은 피부를 손상시킬 수 있으며, 화재를 발생시킬 수 있습니다.



- ▶ 손상된 배터리 또는 변경된 배터리를 사용하지 마십시오. 손상된 배터리 또는 변경된 배터리는 예상치 못한 상황 및 화재, 폭발 또는 부상 위험을 초래할 수 있습니다.
- ▶ 배터리에서 불꽃이 발생하거나 또는 배터리가 너무 높은 온도에 노출되지 않게 하십시오. 불꽃 또는 온도가 130 °C (265 °F)를 넘으면 폭발을 일으킬 수 있습니다.
- ▶ 충전에 관한 모든 지침을 준수하여 배터리 또는 배터리 공구를 절대 사용 설명서에 제시된 범위를 벗어난 온도에서 충전하지 마십시오. 잘못 충전하거나 허용된 범위를 벗어난 온도에서 충전하면 배터리가 파손되어 화재 발생 위험이 높아질 수 있습니다.

서비스

- ▶ 전동 공구는 반드시 자격을 갖춘 전문가에 의해 그리고 순정 대체부품만 이용하여 수리해야 합니다. 이렇게 하여 기기의 안전성을 계속해서 유지할 수 있습니다.
- ▶ 손상된 배터리를 절대 수리하지 마십시오. 배터리 수리는 제조회사 또는 권한을 위임받은 고객 서비스센터에서만 이루어져야 합니다.

2.2 해머에 대한 안전상의 주의사항

- ▶ 귀마개를 착용하십시오. 극심한 소음은 청각 상실을 유발할 수 있습니다.
- ▶ 기기와 함께 공급된 보조 손잡이를 사용하십시오. 기기를 제어하지 못하면 부상을 입을 수 있습니다.
- ▶ 숨겨진 전선에 공구 비트가 접촉할 수 있는 작업을 실행할 경우, 항상 기기의 절연된 손잡이 부분을 잡으십시오. 전류가 흐르는 전선과 접촉하면 전동공구의 금속 부위를 통해 감전이 될 수도 있습니다.

2.3 그 외의 안전상의 주의사항

사용자 안전수칙

- ▶ 기술적 하자가 없는 상태에서만 제품 및 액세서리를 사용하십시오.
- ▶ 어떠한 경우에도 제품 또는 액세서리를 변경하거나 개조하지 마십시오.
- ▶ 사용하는 동안 공구 비트와 척 아담타가 뜨거워지므로, 공구를 교환할 때에는 보호장갑을 착용하십시오.
- ▶ 본 제품은 용도에 적합한 높이의 토크가 제공됩니다. 항상 양손으로 제품의 손잡이를 잡고 공구를 고정시키십시오. 사용자는, 공구가 갑작스럽게 불로킹할 경우에 대비해야 합니다.
- ▶ 측면 손잡이가 정확하게 설치되고 올바르게 고정되어 있는지 확인하십시오. 측면 손잡이는 항상 바깥쪽을 잡으십시오.
- ▶ 작업하면서 자재가 쪼개질 수 있습니다. 재료의 파편으로 인해 눈 등 신체에 부상을 입을 수 있습니다. 제품을 사용할 때에는 보안경, 안전모, 귀마개를 착용하십시오. 먼지포집장치를 사용하지 않을 경우, 추가로 가벼운 보호 마스크를 착용하십시오.
- ▶ 천공 작업 시, 작업할 부분의 반대편이 안전하도록 조치를 취하십시오. 발생하는 분쇄물이 빠져 나오거나 또는 떨어지면서 다른 사람이 부상을 입을 수 있습니다.
- ▶ 천장, 벽 및 바닥 치질링 작업 시 안전하고 단단한 상태인지 확인하십시오. 갑자기 파손이 발생하면 균형을 잃을 수 있습니다.
- ▶ 회전하는 부품에 접촉하지 않도록 하십시오. - 부상 위험!
- ▶ 환기 슬롯은 항상 가려져 있지 않게 하십시오. 숨겨진 환기 슬롯으로 인한 화재 위험!
- ▶ 제품을 작업 위치로 가져온 후에만 제품의 전원을 켜십시오.
- ▶ 먼지로 심하게 뒤덮인 환경에서는 작업하지 마십시오.
- ▶ 샌딩, 연마, 절단 및 드릴링 작업 시 발생하는 먼지에는 위험한 화학물질이 함유되어 있을 수 있습니다. 예를 들어 납 또는 납 계열의 페인트, 벽돌, 콘크리트 및 기타 조적 벽돌 제품, 자연석 및 기타 실리콘 함유 제품, 참나무, 너도밤나무 및 화학 처리된 목재 등과 같은 특정 목재, 석면 또는 석면이 함유된 자재 등이 있을 수 있습니다. 작업하는 자재의 위험 등급을 따라 조작자 및 주변에 있는 사람들의 노출 정도를 결정하십시오. 안전한 수준에서 노출이 이루어질 수 있도록 예를 들어 먼지 포집장치 사용 또는 적합한 보호 마스크 착용 등 필요한 조치를 취하십시오. 노출을 줄일 수 있는 일반적인 조치:
 - ▶ 환기가 잘 되는 곳에서 작업하기,
 - ▶ 장시간 먼지 접촉 피하기,
 - ▶ 얼굴 및 신체의 먼지를 다른 곳으로 털어내기,
 - ▶ 보호복장 착용 및 노출된 영역을 비누와 물로 세척하기.
- ▶ 손가락의 혈액순환이 잘 되도록 자주 휴식시간을 갖고, 휴식하는 동안 손가락 운동을 하십시오. 장시간 작업하면 강한 진동으로 인해 혈관 장애 또는 손가락, 손 및 손목의 신경 체계에 이상이 있을 수 있습니다.
- ▶ 조명(LED)을 직접 응시하거나 다른 사람의 얼굴을 비추지 마십시오. 실명 위험이 있습니다.
- ▶ 습기가 스며들지 않도록 유의하십시오. 습기로 인해 단락이 유발되면 화재가 발생하거나 또는 화상을 입을 수 있습니다.
- ▶ 떨어지는 공구 및/또는 액세서리로 인한 부상 위험. 작업을 시작하기 전에 배터리 및 설치된 액세서리가 안전하게 고정되어 있는지 확인하십시오.
- ▶ 제품에 어떠한 벨트 후크도 고정시키지 마십시오.



전기에 관한 안전수칙

- ▶ 작업을 시작하기 전에, 작업장에서 가려져 있거나 덮혀 있는 전기 배선, 가스 파이프 그리고 하수도관이 있는지를 점검하십시오. 전기 배선, 가스 파이프 또는 하수도관을 손상시킨 경우, 제품 바깥쪽에 있는 금속 부품에서 감전 또는 폭발을 유발할 수 있습니다.

전동 공구의 올바른 사용방법과 취급방법

- ▶ 전동공구가 블로킹된 경우 즉시 제품의 전원을 끄십시오. 제품이 옆으로 기울어질 수 있습니다.
- ▶ 제품을 내려놓기 전에 제품이 완전히 정지할 때까지 기다리십시오.

2.4 배터리의 올바른 사용방법과 취급방법

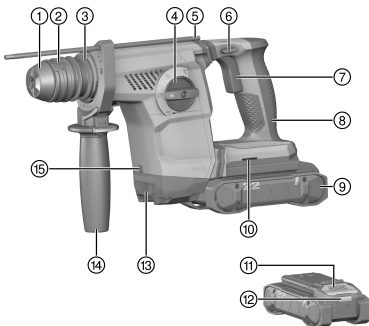
- ▶ 리튬 이온 배터리를 보다 안전하게 취급하고 사용할 수 있도록 다음과 같은 안전상의 주의 사항에 유의하십시오. 유의하지 않을 경우 피부 자극, 심각한 부식성 부상, 화학 화상, 화재 및/또는 폭발을 유발할 수 있습니다.
- ▶ 기술적 하자가 없는 상태에서만 배터리를 사용하십시오.
- ▶ 배터리를 조심히 다루 손상되지 않고, 건강에 유해한 액체가 흘러나오지 않게 하십시오!
- ▶ 배터리는 어떠한 경우에도 개조 또는 변조해서는 안 됩니다!
- ▶ 배터리를 분해하거나 강한 압력 또는 80°C (176°F) 이상의 열을 가하거나 연소시켜서는 안됩니다.
- ▶ 타격을 받은 적이 있거나 다른 손상이 있는 배터리는 사용 또는 충전하지 마십시오. 손상될 기미가 보이는 지 정기적으로 점검하십시오.
- ▶ 재활용 또는 수리한 배터리는 절대 사용하지 마십시오.
- ▶ 배터리 또는 배터리 구동식 전동 공구를 절대 타격 공구로 사용하지 마십시오.
- ▶ 배터리가 직사광선, 고온, 스파크 또는 불꽃에 절대 노출되지 않도록 하십시오. 이로 인해 폭발이 발생할 수 있습니다.
- ▶ 배터리 전극을 손가락, 공구, 장신구 또는 다른 전도성 물체를 통해 만지지 마십시오. 이는 배터리 손상, 물적 손상 및 부상을 유발할 수 있습니다.
- ▶ 배터리가 비 또는 습기 및 액체에 노출되지 않게 하십시오. 습기가 유입되면 단락, 감전, 화재, 불꽃 및 폭발이 일어날 수 있습니다.
- ▶ 배터리 타입에 해당되는 충전기 및 전동공구만 사용하십시오. 이를 위해 해당 사용 설명서에 적혀 있는 내용을 확인하십시오.
- ▶ 폭발 위험이 있는 환경에서 배터리를 사용하거나 보관하지 마십시오.
- ▶ 배터리를 잡기에 너무 뜨거운 경우에는 고장일 수 있습니다. 배터리를 인화성 물질과 충분한 거리를 둔 상태에서 눈에 잘 띄며 불이 잘 붙지 않는 장소에 두십시오. 배터리를 냉각시키십시오. 한 시간 후에도 계속해서 배터리를 잡기에 너무 뜨거운 경우에는 배터리에 결함이 있을 수 있습니다. **Hilti** 서비스 센터에 문의 하거나 "안전 및 Hilti 리튬 이온 배터리 작업 관련 지침" 문서 내용을 확인하십시오.



리튬 이온 배터리의 운반, 보관 및 사용 시 적용되는 특수 가이드라인에 유의하십시오. → 페이지 139
안전 및 Hilti 리튬 이온 배터리 작업 관련 지침은 본 사용 설명서의 끝부분에 제시된 QR 코드를 통해 확인할 수 있습니다.

3 제품 설명

3.1 제품 개요



- ① 더스트 캡
- ② 톱날 클램프/톱날 홀더
- ③ 분진 수집 모듈 연결부
- ④ 기능 선택 스위치
- ⑤ 깊이 게이지
- ⑥ 정회전/역회전 스위치, 수송안전장치 포함
- ⑦ 컨트롤 스위치
- ⑧ 손잡이
- ⑨ 배터리
- ⑩ 액세서리용 조립 틈새
- ⑪ 배터리 잠금해제 버튼
- ⑫ 배터리 상태 표시기
- ⑬ 먼지제거기 TE DRS-46 (01) 연결부
- ⑭ 측면 손잡이
- ⑮ 작업 공간 조명(LED)



3.2 규정에 맞는 사용

기술된 제품은 배터리 구동식 로터리 합마 드릴 SDS-Plus입니다. 본 제품은 콘크리트 및 조적벽돌에서의 합마드릴링, 강철, 목재 및 조적벽돌에서의 드릴링과 볼트를 체결하고 푸는 작업에 적합합니다. 추가로 석재에서 가벼운 치질링 작업을 하거나 콘크리트에서 마무리 작업을 할 때에도 이 제품을 사용할 수 있습니다.

- 본 제품에는 모델시리즈 B 22의 Hilti Nuron 리튬이온 배터리만 사용하십시오. Hilti는 출력을 최적화할 수 있도록 본 제품에 본 사용 설명서 끝부분의 표에 제시된 배터리를 사용할 것을 권장합니다.
- 해당 배터리에는 본 사용 설명서 끝부분의 표에 명시된 모델시리즈의 Hilti 충전기만 사용하십시오.

3.3 공급품목

로터리 합마 드릴 SDS-Plus, 측면 손잡이, 깊이 게이지, 그리스, 사용 설명서.

작업할 때 본진이 발생하지 않도록 먼지제거기 TE DRS-4/6 (01)이 액세서리로 제공됩니다.

해당 제품에 허용되는 기타 시스템 제품은 Hilti Store 또는 다음 사이트에서 확인할 수 있습니다.

www.hilti.group

3.4 리튬이온 배터리 표시

Hilti Nuron 리튬 이온 배터리는 충전 상태, 오류 메시지 및 배터리 상태를 표시할 수 있습니다.

3.4.1 충전 상태 및 오류 메시지 표시



경고

부상 위험 떨어지는 배터리로 인한 위험!

- ▶ 배터리가 끼워진 상태에서 잠금해제 버튼을 누른 경우, 배터리가 사용하는 제품에 다시 제대로 고정되었는지 확인하십시오.

다음과 같은 표시를 확인하려면, 배터리 잠금해제 버튼을 짧게 누르십시오.

연결된 제품의 전원이 켜져 있는 동안 충전 상태 및 발생 가능한 기능 장애 내용도 계속 표시됩니다.

상태	의미
4개 LED가 녹색으로 계속 점등됩니다	충전 상태: 100 % ~ 71 %
3개 LED가 녹색으로 계속 점등됩니다	충전 상태: 70 % ~ 51 %
2개 LED가 녹색으로 계속 점등됩니다	충전 상태: 50 % ~ 26 %
1개 LED가 녹색으로 계속 점등됩니다	충전 상태: 25 % ~ 10 %
1개 LED가 녹색으로 느리게 깜박입니다	충전 상태: < 10 %
1개 LED가 녹색으로 빠르게 깜박입니다	리튬이온 배터리가 완전히 방전되었습니다. 배터리를 충전하십시오. 배터리 충전 후에도 계속해서 LED가 빠르게 깜박이면, Hilti 서비스 센터에 문의해 주십시오.
1개 LED가 황색으로 빠르게 깜박입니다	리튬 이온 배터리 또는 배터리와 관련된 제품이 과부하되었거나, 너무 뜨겁거나 차갑거나 또는 다른 오류가 발생했습니다. 제품 및 배터리를 권장하는 작동 온도 상태로 유지하고, 제품을 사용하지 않을 경우 제품에 과부하가 걸리지 않도록 하십시오. 해당 메시지가 계속 존재하는 경우, Hilti 서비스 센터에 문의해 주십시오.
1개 LED가 황색으로 점등됩니다	리튬이온 배터리 및 배터리가 연결된 제품과 호환되지 않습니다. Hilti 서비스 센터에 문의해 주십시오.
1개 LED가 적색으로 빠르게 깜박입니다	리튬이온 배터리 사용이 금지되어 더 이상 사용할 수 없습니다. Hilti 서비스 센터에 문의해 주십시오.

3.4.2 배터리 상태 표시

배터리 상태를 조회하려면, 잠금해제 버튼을 3초 이상 누르고 계십시오. 낙하, 틈새 발생, 외부 요인으로 인한 열 손상 등 잘못된 사용으로 인해 시스템에서 잠재적으로 발생할 수 있는 배터리의 오작동을 감지하지 못합니다.



상태	의미
작동 표시등으로 모든 LED가 점등된 후 1개 LED가 녹색으로 계속 점등됩니다.	배터리를 계속해서 사용할 수 있습니다.
작동 표시등으로 모든 LED가 점등된 후 1개 LED가 황색으로 빠르게 깜박입니다.	배터리 상태 조화를 종료할 수 없습니다. 해당 과정을 반복하거나 Hilti 서비스 센터에 문의해 주십시오.
작동 표시등으로 모든 LED가 점등된 후 1개 LED가 적색으로 계속 점등됩니다.	연결된 제품을 계속해서 사용할 수 없는 경우, 남아 있는 배터리 용량이 50% 미만입니다. 연결된 제품을 계속해서 사용할 수 없는 경우, 배터리의 수명이 다 되어 교체해야 합니다. Hilti 서비스 센터에 문의해 주십시오.

4 기술자료

EPTA Procedure 01에 따른 중량(배터리 미포함)	2.84kg
EPTA-Procedure 05에 따른 1회 타격 에너지	2.6J
콘크리트/벽돌 드릴링 범위(함마 드릴링)	4mm ... 28mm
작동 시 주변 온도	-17 °C ... 60 °C
보관 온도	-20 °C ... 70 °C

4.1 배터리

배터리 모드 전압	21.6V
배터리 무게	본 사용 설명서의 끝부분 참조
작동 시 주변 온도	-17 °C ... 60 °C
보관 온도	-20 °C ... 40 °C
충전 시작 시 배터리 온도	-10 °C ... 45 °C

4.2 EN 60745에 따른 소음 정보 및 진동값

이 지침에 제시된 음압 및 진동수준은 표준화된 측정방법에 따라 측정된 것이며, 전동공구를 서로 비교하기 위한 용도로 사용할 수 있습니다. 음압 및 진동 수준은 노출 정도를 사전에 예측하는 데에도 유용하게 사용할 수 있도록 설계되어 있습니다. 제시된 데이터는 전동공구의 주된 용도를 나타냅니다. 그러나 전동공구를 다른 용도로 사용하거나 다른 공구 비트를 사용할 경우 또는 유지보수를 충분히 하지 않은 상태에서는 데이터에 편차가 있을 수 있습니다. 이러한 경우 전 작업시간에 걸쳐 노출이 현저하게 증가할 수 있습니다. 노출을 정확하게 평가하기 위해서는 기기 작동이 멈춰 있거나 또는 작동 중이지만 실제로는 사용하지 않는 시간도 고려해야 합니다. 이러한 경우 전 작업시간에 걸쳐 노출이 현저하게 감소할 수 있습니다. 사용자를 보호하기 위해 음파 그리고/또는 진동이 작용하기 전에 다음과 같은 추가적인 안전 조치를 취하십시오. 전동공구와 공구 비트의 유지보수, 손을 따뜻하게 유지, 작업순서 정하기 등.

소음 배출 값

음압 방출 수준 (L_{pA})	91dB(A)
음압 수준 허용공차 (K_{pA})	3dB(A)
소음 수준 (L_{WA})	102dB(A)
소음 수준 허용공차 (K_{WA})	3dB(A)

진동 총 값

		TE 6-22	TE 6-22 + TE DRS-46 (01)
콘크리트에 함마 드릴링 ($a_{h, HD}$)	B 22-85	10.7m/s ²	10.6m/s ²
	B 22-170	10.4m/s ²	11.3m/s ²
치즐링	B 22-85	6.3m/s ²	5.5m/s ²
	B 22-170	6.3m/s ²	6.0m/s ²
허용공차 (K)		1.5m/s ²	1.5m/s ²



5 작업 준비

경고

부상 위험 돌발적인 작동!

- ▶ 배터리를 끼우기 전에 해당 제품의 전원이 꺼져 있는지 확인하십시오.
- ▶ 기기 설정 또는 액세서리를 교체하기 전에 배터리를 제거하십시오.

본 문서 및 제품에 나와 있는 안전 지침 및 경고 지침에 유의하십시오.

5.1 배터리 충전

1. 충전하기 전에 충전기의 사용 설명서를 읽으십시오.
2. 배터리 및 충전기의 접점이 청결하고 건조한 상태인지 확인하십시오.
3. 허용되는 충전기에서 배터리를 충전하십시오. → 페이지 134

5.2 배터리 삽입

경고

부상 위험 부상 위험!

- ▶ 배터리를 끼우기 전에 배터리의 접점 및 제품의 접점에 이물질이 남아 있지 않은지 확인하십시오.
- ▶ 배터리가 제대로 고정되었는지 확인하십시오.

1. 처음으로 사용하기 전, 배터리를 완전히 충전하십시오.
2. 배터리가 제품에 고정되는 소리가 들릴 때까지 미십시오.
3. 배터리가 정확하게 설치되어 있는지 점검하십시오.

5.3 배터리 제거

1. 배터리의 잠금 해제 버튼을 누르십시오.
2. 배터리를 제품에서 빼내십시오.

5.4 측면 손잡이 장착

1. 손잡이를 돌려서 측면 손잡이 홀더(조임 밴드)를 푸십시오.
2. 홀더(조임 밴드)를 앞쪽에서부터 척 아답타 위로 지정된 홈까지 미십시오.
3. 측면 손잡이를 원하는 위치로 설정하십시오.
4. 손잡이를 돌려서 측면 손잡이 홀더(조임 밴드)를 조이십시오.

5.5 공구 비트 끼우기

드릴 생크식 기기 비트를 가볍게 기름칠하십시오

Hilti의 순정 그리스만 사용하십시오. 적합하지 않은 그리스를 사용하면 제품이 손상될 수 있습니다.

1. 공구 비트를 척 아답타에 끼운 다음, 잠기는 소리가 날 때까지 가볍게 눌러 공구 비트를 돌리십시오.
2. 삽입 후 잡아 당겨보면서 제대로 고정되었는지 점검하십시오.
 - ▶ 제품이 작동 가능한 상태입니다.

5.6 공구 비트 분리

주의

공구 비트로 인한 부상 위험! 공구 비트가 뜨겁거나 모서리가 날카로울 수 있습니다.

- ▶ 공구 비트 교체 시 보호장갑을 착용하십시오.

1. 공구 잠금장치를 스톱 위치까지 뒤로 당기십시오.
2. 공구 비트를 빼내십시오.

5.7 깊이 게이지 장착 및 조정

1. 측면 손잡이의 잠금 해제 버튼을 누르십시오.



2. 깊이 게이지를 앞에서 측면 손잡이의 규정된 개구부 안으로 삽입하십시오. 깊이 게이지를 원하는 드릴 깊이로 조정하십시오.
3. 잠금 해제 버튼에서 손을 떼십시오.
 - ▶ 깊이 게이지가 잠겼습니다.

5.8 추락 방지장치

경고

부상 위험 떨어지는 공구 및/또는액세서리에 의한 유발!

- ▶ 해당 제품에 권장하는 **Hilti** 공구 고정끈만 사용하십시오.
- ▶ 사용하기 전에 항상 공구 고정끈의 고정점에 손상된 곳이 없는지 확인하십시오.

공중 작업에 대한 국가별 규정에 유의하십시오.

해당 제품의 추락 방지장치로는 **Hilti** 낙하 방지 벨트와 **Hilti** 공구 고정끈 #2261970을 결합해서만 사용하십시오.

- ▶ 낙하 방지 벨트를 액세서리의 조립 구멍에 고정시키십시오. 확실하게 고정되었는지 점검하십시오.
- ▶ 공구 고정끈의 카라비너 후크 한쪽을 낙하 방지 벨트에 고정하고, 지지하는 구조물에 다른 카라비너 후크를 고정시키십시오. 두 카라비너 후크가 확실하게 고정되었는지 점검하십시오.

Hilti 낙하 방지 벨트 및 **Hilti** 공구 고정끈의 사용 설명서 내용에 유의하십시오.

6 조작

본 문서 및 제품에 나와 있는 안전 지침 및 경고 지침에 유의하십시오.

6.1 전원 켜기 및 끄기

1. 제품의 전원을 켜려면, 컨트롤 스위치 쪽으로 미십시오.
 - ▶ 컨트롤 스위치가 눌리는 깊이에 따라 회전속도를 무단식으로 조절할 수 있습니다.
2. 제품의 전원을 끄려면, 컨트롤 스위치에서 손을 떼십시오.

6.2 회전 방향

- ▶ 회전 방향을 설정하십시오.
 - ▶ 이 위치에서 스위치가 맞물려 끼워집니다.

6.3 기능 선택 스위치

기능 선택 스위치를 원하는 기능으로 설정하십시오.

손상 위험! 작동 중에는 기능 선택 스위치를 작동시키지 마십시오.

함마링 컷아웃

- 기능 선택 스위치를 로 설정하십시오.

타격하여 드릴링

- 기능 선택 스위치를 로 설정하십시오.

치출 각도 조정

- 기능 선택 스위치를 로 설정하십시오.

치출링

- 기능 선택 스위치를 로 설정하십시오.



7 액세서리 선택사항

7.1 먼지제거기 TE DRS-46 (01)

먼지제거기 TE DRS-46 (01)은 로타리 함마 드릴 SDS-Plus를 위한 액세서리로 사용됩니다. 이 먼지제거기는 발생하는 대량의 먼지를 수집하며, 로타리 함마 드릴 SDS-Plus에 신속하고 간편하게 고정할 수 있습니다. 먼지제거기에는 흡입 환이 내장되어 있습니다. 이 흡입 환은 자체 모터로 구동됩니다. 먼지 제거기는 로터리 함마 드릴 SDS-Plus의 전원을 켤 때 로타리 함마 드릴 SDS-Plus의 배터리로부터 전원을 공급받습니다. 먼지제거기는 금속 및 목재에서의 작업에는 적합하지 않습니다.

조건: TE DRS-46 (01) OSHA

TE DRS-46 (01) OSHA는 가이드라인 OSHA 1926.1153 Table 1 내용을 준수합니다. 본 기기는 필터 정화 메커니즘이 장착되어 있습니다.

7.2 오버헤드 작업을 위한 분진 수집 모듈 설치

1. 공구 비트를 끼우십시오. → 페이지 136
2. 분진 수집 모듈을 척 아답타를 통해 밀면서 로타리 함마 드릴 SDS-Plus의 하우징 홈에 끼우십시오.
3. 분진 수집 모듈을 시계 반대 방향으로 돌려 잠그십시오.

8 관리 및 유지보수

경고

배터리가 끼워진 상태에서 부상 위험!

- ▶ 관리 및 수리 작업을 진행하기 전에 항상 배터리를 제거하십시오!

제품 관리

- 공구에 부착되어 있는 오염물질을 조심스럽게 제거하십시오.
- 오염물질이 있는 경우, 부드러운 마른 솔로 환기 슬롯을 조심스럽게 청소하십시오.
- 약간 물기가 있는 수건으로만 하우징을 청소해 주십시오. 플라스틱 부품을 손상시킬 수 있으므로 절대로 실리콘이 함유된 보호제를 사용하지 마십시오.
- 제품의 접점을 청소하려면 깨끗하고 마른 천을 사용하십시오.

리튬 이온 배터리 관리

- 환기 슬롯이 막힌 상태에서는 절대 배터리를 사용하지 마십시오. 부드러운 마른 솔로 환기 슬롯을 조심스럽게 청소하십시오.
- 배터리가 불필요하게 먼지 또는 오염물에 노출되지 않도록 하십시오. 배터리를 절대 습도가 높은 곳에 두지 마십시오(예: 물 속에 담그거나 비내리는 곳에 두는 행위).
배터리에 물이 들어가면, 손상된 배터리처럼 취급하십시오. 물이 들어간 배터리는 비가연성 용기에서 절연시킨 후, Hilti 서비스 센터에 문의해 주십시오.
- 배터리를 외부 오일 및 그리스가 묻지 않도록 깨끗하게 유지하십시오. 배터리에 불필요하게 먼지 또는 오염물이 쌓이지 않도록 하십시오. 배터리를 부드러운 마른 솔 또는 깨끗하고 마른 걸레로 닦아내십시오. 플라스틱 부품을 손상시킬 수 있으므로 절대로 실리콘이 함유된 보호제를 사용하지 마십시오.
배터리의 접점에 접촉하지 말고, 접점에서 공구축에 부착된 그리스를 제거하지 마십시오.
- 약간 물기가 있는 수건으로만 하우징을 청소해 주십시오. 플라스틱 부품을 손상시킬 수 있으므로 절대로 실리콘이 함유된 보호제를 사용하지 마십시오.

유지보수

- 눈에 보이는 모든 부품은 정기적으로 손상 여부를 점검하고 조작요소가 아무 문제 없이 작동하는지 점검하십시오.
- 손상되었거나 기능 장애가 있는 경우에는 제품을 작동하지 마십시오. 즉시 Hilti 서비스 센터에 제품 수리를 의뢰하십시오.
- 관리 및 수리 작업 후 모든 보호장치를 가져와 기능에 이상이 없는지 점검하십시오.



안전한 사용을 위해서 순정 예비 부품 및 소모품만을 사용하십시오. Hilti에서 승인한 예비 부품, 소모품 및 액세서리는 **Hilti Store** 또는 **www.hilti.group**

8.1 더스트 캡 청소

- ▶ 깨끗한 마른 걸레를 이용하여, 척 아답타의 더스트 캡을 정기적으로 청소하십시오.
- ▶ 씰링 림을 조심스럽게 깨끗하게 닦아낸 다음, Hilti 그리스를 다시 약간 바르십시오.



- ▶ 씰링 립이 손상되었을 경우, 반드시 더스트 캡을 교환하십시오.

9 충전식 공구 및 배터리 운반 및 보관

운반



주의

운반 시 돌발적으로 작동됨!

- ▶ 제품은 항상 배터리를 장착하지 않은 상태로 운반하십시오!
- ▶ 배터리를 분리하십시오.
- ▶ 배터리를 고정하지 않은 채로 운반해서는 절대 안 됩니다. 운반하는 도중 배터리에 과도한 충격을 받거나 진동이 발생하지 않게 하고 모든 전도성 소재 또는 다른 배터리로부터 분리시켜 다른 배터리 전극에 닿지 않고 단락이 발생하지 않게 하십시오. 배터리와 관련된 현지 운반 규정에 유의하십시오.
- ▶ 배터리는 우편을 통해 전달할 수 없습니다. 손상이 없는 배터리를 전송하고자 하는 경우 배송업체에 문의하십시오.
- ▶ 제품 및 배터리를 사용하기 전에 그리고 장시간 운반한 후에는 항상 손상 여부를 점검하십시오.

보관



경고

배터리 결함 또는 방전으로 인한 돌발적인 손상!

- ▶ 제품은 항상 배터리를 장착하지 않은 상태로 보관하십시오!
- ▶ 제품 및 배터리를 냉각 및 건조시켜 보관하십시오. 기술자료에 제시된 허용 온도 한계값에 유의하십시오.
- ▶ 배터리를 충전기에 보관하지 마십시오. 충전 후에는 항상 배터리를 충전기에서 분리하십시오.
- ▶ 배터리는 절대 직사광선이 들어오는 곳, 열원 위 또는 유리 뒤쪽에 보관하지 마십시오.
- ▶ 제품 및 배터리는 건조한 상태로 어린이나 외부인의 손이 닿지 않는 곳에 보관하십시오.
- ▶ 제품 및 배터리를 사용하기 전에 그리고 장시간 보관한 후에는 항상 손상 여부를 점검하십시오.


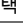
10 문제 발생 시 도움말

장애 발생 시 항상 배터리의 충전 상태 및 고장 표시 내용에 유의하십시오. 리튬이온 배터리 표시 단원을 참조하십시오.

본 도표에 제시되어 있지 않거나 스스로 해결할 수 없는 문제가 발생한 경우 Hilti 서비스 센터에 문의해 주십시오.

장애	예상되는 원인	해결책
컨트롤 스위치를 누를 수가 없음 또는 블로킹됨.	정회전/역회전 스위치가 중간위치에 있음.	▶ 정회전/역회전 스위치를 좌측 또는 우측으로 누르십시오.
기기 스피들이 회전하지 않음.	배터리가 완전하게 삽입되지 않음.	▶ 찰각하는 소리가 들릴 때까지 배터리를 맞물려 고정시키십시오.
	정회전/역회전 스위치가 중간위치에 있음.	▶ 정회전/역회전 스위치를 좌측 또는 우측으로 누르십시오.
	기능 선택 스위치가 고정되지 않았거나 "치줄링" 위치 또는 "치출 각도 조정" 위치 에 있지 않음.	▶ 정지된 상태에서 기능 선택 스위치를 "함마링 컷아웃" 또는 "함마드릴링" T 위치에 두십시오.
타격이 되지 않음.	제품이 너무 차가움.	▶ 제품을 모재로 가져와서 공회전 상태로 작동시키십시오. 필요한 경우 함마링 장치가 작동될 때까지 과정을 반복하십시오.
	"함마링 컷아웃" 에 놓인 기능 선택 스위치.	▶ 기능 선택 스위치를 "함마드릴링" 위치 T에 두십시오.
배터리가 평소보다 빨리 방전됨.	배터리 상태가 최적이 아님.	▶ 배터리 상태를 조회해 보십시오. → 페이지 134
배터리를 밀어 넣을 때 찰각하는 소리가 들리지 않음.	배터리 래치 오염됨.	▶ 배터리 래치를 청소하고 배터리를 다시 끼우십시오.
배터리의 LED에서 아무런 표시가 없음	배터리 결함	▶ Hilti 서비스 센터에 문의해 주십시오.




장애	예상되는 원인	해결책
제품 또는 배터리에서 과도한 열 발생.	전기적 결합	▶ 즉시 제품의 전원을 끄십시오. 배터리를 제거한 후 배터리를 관찰하십시오. 배터리를 냉각시키십시오. Hilti 서비스 센터에 문의해 주십시오.
드릴 비트가 잠금상태에서 풀리지 않음.	척 아답타를 완전히 뒤로 당기지 않았음	▶ 공구 잠금장치를 스톱 위치까지 뒤로 당겨 공구를 빼내십시오.
드릴 비트 작업이 진행되지 않음.	제품이 역회전 위치에 맞추어져 있음. "함마링 킷아웃"  에 놓인 기능 선택 스위치.	▶ 정회전/역회전 스위치를 '정회전' 위치로 전환하십시오. ▶ 기능 선택 스위치를 "함마드릴링" 위치  에 두십시오.

11 폐기

경고

부적절한 폐기로 인한 부상 위험! 새어나오는 가스 또는 용액으로 인한 건강상의 위험.

- ▶ 손상된 배터리는 전달하지 마십시오!
- ▶ 비전도성 소재로 연결 단자를 막아 두어 단락이 발생하지 않게 하십시오.
- ▶ 배터리가 어린이의 손에 닿지 않도록 폐기하십시오.
- ▶ **Hilti Store**에서 배터리를 폐기하거나 또는 담당 폐기물 처리 업체에 문의하십시오.

 **Hilti** 제품은 대부분 재사용이 가능한 소재로 제작되었습니다. 재활용을 위해 개별 부품을 분리하여 주십시오. **Hilti**는 대부분의 국가에서 재활용을 위해 노후기기를 수거해 갑니다. **Hilti** 고객 서비스 센터 또는 판매 상담자에게 문의하십시오.



- ▶ 전동 공구, 전작식 기기 및 배터리를 일반 가정 쓰레기로 폐기하지 마십시오!

12 제조회사 보증

- ▶ 보증 조건에 관한 질문사항은 현지 **Hilti** 파트너사에 문의하십시오.

13 기타 정보

작동법, 기술, 환경 및 재활용에 대한 세부 정보는 qr.hilti.com/manual?id=2264935&id=2264937에서 확인할 수 있습니다.

해당 링크는 본 문서 끝에 QR 코드 형식으로도 제시되어 있습니다.

原始操作說明

1 文件相關資訊

1.1 關於此文件

- 初次操作或使用前，請先詳讀此文件。本文件包含安全前提、疑難排解處理和產品使用。
- 請遵守本文件中與產品上的安全說明和警告。
- 操作說明應與產品一起保管，產品交予他人時必須連同操作說明一起轉交。

僅適用於台灣

進口商: 喜利得股份有限公司

地址: 新北市板橋區

新站路16號24樓22041

電話: 0800-221-036



1.2 已使用的符號解釋

1.2.1 警告

警告您在操作或使用本產品時可能發生之危險。採用了以下標示文字：



危險

危險！

- ▶ 此標語警告會發生對人造成嚴重傷害甚至致死的危險情形。



警告

警告！

- ▶ 此標語警告會造成嚴重傷害甚至致死危險的潛在威脅。



注意

注意！

- ▶ 請小心會造成人員受傷或對設備及其他財產造成損害的潛在危險情況。

1.2.2 操作說明中的符號

本操作說明中採用以下符號：

	請遵照操作說明
	使用操作說明與其他資訊
	處理可回收的材料
	不可將電子設備與電池當作家庭廢棄物處置
	Hilti 鋰電池
	Hilti 充電器

1.2.3 圖解中的符號

圖解中採用了以下符號：

	號碼對應操作說明的開始處的圖解。
	編號代表圖解中的操作步驟順序，可能與內文中的步驟有所不同。
	概覽圖解中使用位置編號，方便您對應到產品概覽段落中的圖例編號。
	這些特色是為了讓您在操作本產品時可以注意某些重點。

1.3 產品專屬符號

1.3.1 產品上的符號

產品上會採用下列符號：

	本產品支援近距離無線通訊（NFC）技術，其相容於iOS及Android平台。
	鑽孔時無鎚擊動作
	以鎚擊動作進行鑽孔（鎚擊鑽孔）
	鑿子定位
	鑿孔



	正轉 / 逆轉
n_0	無負載下額定轉速
	直流電 (DC)
Li-Ion	鋰電池
	請勿將電池使用作為敲擊工具。
	避免電池掉落。不得使用遭受衝擊或其他原因遭成損壞的電池。

1.4 產品資訊

產品是針對專業使用者設計，故僅經訓練、認可的人員可操作、維修與維護本產品。必須告知上述人員關於可能遭遇到的特殊危險。若因未經訓練人員操作錯誤或未依照其原本的用途操作，則本產品和它的輔助工具設備有可能會發生危險。類型名稱和序號都標示於額定銘牌上。

▶ 在下方表格中填入序號。與Hilti維修中心或當地Hilti機關聯絡查詢產品相關事宜時，我們需要您提供產品詳細資訊。

產品資訊

旋轉鎚 SDS-Plus	TE 6-22
產品代別	05
序號	

1.5 符合聲明

基於製造商唯一的責任，本公司在此聲明本產品符合適用法規及標準。本文件結尾處有符合聲明之副本。技術文件已歸檔：

Hilti Entwicklungsgesellschaft mbH | Tool Certification | Hiltistrasse 6 | D-86916 Kaufering, Germany

2 安全性

2.1 一般電動機具安全警告

⚠ 警告 請詳閱本電動機具提供的所有安全警告、指示、圖解和說明。未能遵守以下所有指示可能會造成電擊事故、火災和 / 或嚴重的傷害。

妥善保存所有警示及說明，以供將來參考。

注意事項中的「機具」係指使用電源（有線）或電池（無線）的電動機具。

工作區域安全

- ▶ 請保持工作區的清潔與採光充足。雜亂而昏暗的工作區會導致意外發生。
- ▶ 勿在容易發生爆炸的環境中使用機具，例如有可燃性液體、瓦斯或粉塵存在的環境。機具產生的火花可能會引燃塵埃或煙霧。
- ▶ 操作機具時，請與兒童及旁人保持距離。注意力不集中時容易發生失控的情形。

電力安全

- ▶ 機具插頭與插座須能互相搭配。勿以任何方式改裝插頭。勿將任何變壓器插頭與與地面接觸（接地）的電動機具搭配使用。未經改裝的插頭以及能互相搭配的插座可減少發生電擊的危險。
- ▶ 避免讓身體接觸到如管線、散熱器、爐灶與冰箱等與土地或地表接觸之物品。如果您的身體接觸到地表或地面，將增加電擊的危險。
- ▶ 請勿將機具曝露在下雨或潮濕的環境中。若水氣進入機具中將增加觸電的危險。
- ▶ 勿濫用電纜線。勿以電纜線吊掛、拖拉機具或拔下機具插頭。電纜線應避開熱氣、油、銳利的邊緣或移動性零件。電纜線損壞或纏繞會增加發生電擊事故的危險。
- ▶ 於室外操作機具時，須使用適用於戶外的延長線。使用適合戶外使用的延長線可降低觸電的風險。
- ▶ 如果無法避免在潮濕的地點操作機具，請使用漏電斷路器（RCD）保護電源供應器。使用漏電斷路器（RCD）可降低電擊的風險。



人員安全

- ▶ 操作機具時，請提高警覺，注意進行中的工作並善用常識。感到疲勞或受到藥物、酒精或治療的影響時勿使用機具。操作機具時稍不留神就可能造成嚴重的人員傷亡。
- ▶ 穿戴個人防護裝備。請隨時穿戴眼罩。適當使用防塵面罩、防滑鞋、安全帽及耳罩等安全防護配備可減少人員的傷害。
- ▶ 避免不經意的啟動。在接上電源或電池組、抬起或攜帶機具之前，務必確認開關處於關閉的位置。攜帶機具時，如果把手指放在開關上，或在開關開啟時，將機具插上插頭容易發生意外。
- ▶ 啟動機具前，應將所有調整鑰匙或扳手移開。將扳手或鑰匙留在機具的旋轉零件中可能會造成人員傷害。
- ▶ 勿將手伸出過遠。隨時站穩並維持平衡。這可讓您在意外情況發生時，對機具有較好的控制。
- ▶ 穿著適當服裝。請勿穿著寬鬆的衣服或佩戴珠寶。頭髮、衣服與手套應遠離移動性零件。移動性零件可能會夾到寬鬆的衣服、珠寶或長髮。
- ▶ 如果機具可連接吸塵裝置與集塵設備，請連接並適當使用這些設備。使用集塵裝置可降低與粉塵有關的危險。
- ▶ 請勿因頻繁而習慣使用機具便疏於遵守或忽略機具的安全規範。草率使用可能在轉眼間便造成嚴重的傷害。

機具使用與保養

- ▶ 不可強制使用機具。依據用途使用正確的機具。根據設計的速率使用機具可更快速安全地完成工作。
- ▶ 若開關無法啟動或關閉電動工具時，請勿使用電動工具。任何無法以開關控制的機具都很危險且需要維修。
- ▶ 在進行任何調整、更換配件、或貯放電動機具前，請先將插頭拔離插座和 / 或將電池組自電動機具卸下（如可拆卸）。此預防安全措施可降低機具意外啟動的風險。
- ▶ 將閒置的機具貯放在兒童拿不到的地方，勿讓不熟悉或未詳閱本說明的人員操作本機具。機具在未經訓練的使用者手中是很危險的。
- ▶ 維護機具與配件。請檢查移動性零件有無偏移或黏合的情形、零件有無破損，以及任何會影響機具運轉的狀況。如果機具受損，請先維修後再使用。很多意外便是由維護不當的機具造成的。
- ▶ 保持切割機具的銳利與清潔。具銳利切割邊緣的切割機具如果得到適當的維護，便較不會發生黏合的現象，且較容易控制。
- ▶ 遵守本指示說明使用機具、配件和工具組等，並考量工作條件與待進行的工作。將機具用在原目的之外用途可能會造成危險。
- ▶ 保持握把與其表面的乾燥、清潔且不要讓上面出現油漬。握把及其表面濕滑會在意外情況中造成機具無法安全掌控。

電池機具的使用與保養

- ▶ 務必使用原廠指定的充電器進行充電。將適合特定類型電池的充電器使用在其他電池時，會有造成火災的危險。
- ▶ 務必使用機具特別指定的電池匣。使用其他的電池匣可能會造成受傷或火災。
- ▶ 電池匣未使用時，請將其遠離迴紋針、錢幣、鑰匙、針、固定釘或其他會在電池兩極間形成連結的小型金屬物件。在電池兩極間建立短路可能會造成灼傷或火災。
- ▶ 若使用不當，可能有液體由電池流出；請避免接觸該液體。若不慎接觸，請以清水沖洗。如果不小心讓液體接觸到眼睛，請立即尋求醫療援助。從電池中滲出的液體，可能會導致過敏或灼傷。
- ▶ 請勿使用損壞或改裝過的電池組或機具。受損或改裝過的電池可能會無法正常運作而造成起火、爆炸或受傷的風險。
- ▶ 請勿將電池組或機具暴露在火源或極端的溫度環境中。暴露在火源或溫度超過130°C (265°F) 的環境下可能會造成爆炸。
- ▶ 請遵守充電操作說明且不要在說明所載的溫度範圍之外為電池組或機具充電。不當充電或在指定溫度範圍外充電均可能造成電池損壞並提高起火的風險。

維修服務

- ▶ 請將機具交給合格的維修人員進行維修，並使用相同的替代零件。這可確保維護機具安全。
- ▶ 請勿自行維修損壞的電池。損壞的電池僅可由製造商或授權的維修商進行維修。

2.2 鎚擊安全警告

- ▶ 請配戴耳罩。暴露於噪音環境下會導致聽力受損。
- ▶ 請使用機具輔助握把。機具失控可能導致人員受傷。
- ▶ 當所進行的工作，其切割配件可能會接觸到隱藏配線，進行操作時請握住機具的絕緣握把。與「導電」電線接觸的切割配件可能會導致機具暴露在外金屬零件「導電」，使得操作人員遭受電擊。



2.3 其他安全預防措施

人員安全

- ▶ 僅在本產品和配件能正常運轉時使用。
- ▶ 勿嘗試以任何方式改裝產品或配件。
- ▶ 因配件工具與夾頭在使用過程中會變燙，更換配件工具時請戴上防護手套。
- ▶ 本產品為符合其設計之各種應用方式，會產生很高的扭力。以雙手握持機具本身握把。使用者必須對切割機具突然的卡住及熄火有所準備。
- ▶ 檢查側向握把是否正確安裝且緊固。請務必握緊側向握把的末端。
- ▶ 作業時可能會使材料碎裂。碎裂的碎片可能會傷害身體與眼睛。使用本產品時請配戴護目鏡、安全帽和耳罩。若不使用吸塵裝置，則還需佩戴輕型呼吸保護器。
- ▶ 若工作包含鑿穿作業，請於工件另一面一併採取適當的防護措施。鑿穿的碎片會掉落和 / 或造成他人受傷。
- ▶ 往天花板、牆面及地板鑿孔時，請務必確認您有安全且堅固的站立點。若突然鑿穿會影響您的平衡。
- ▶ 避免接觸旋轉中零件 - 有受傷的危險！
- ▶ 通風口請務必隨時保持暢通。因通風口被蓋住而有火災之虞！
- ▶ 請先將本產品移至加工位置上，才將它啟動。
- ▶ 請勿在灰塵嚴重污染的環境中工作。
- ▶ 研磨、切割和鑽孔時產生的粉塵可能含有危險的化學物質。例如：鉛或以鉛為基底的顏料；磚塊、混凝土和其他建材產品、天然石材和其他含矽酸鹽的產品；橡木、山毛櫸等特定木材以及化學處理的木材；石棉或含有石棉的物質。根據操作員工作時接觸的物質危險等級來決定操作員和其他人員暴露在該環境的程度。採取必要的措施，以將暴露相關條件維持在安全等級上，例如：使用吸塵系統或配戴合適的防護面罩。降低在該環境下的暴露程度的一般措施包括：
 - ▶ 工作區域保持良好通風
 - ▶ 避免長時間接觸粉塵
 - ▶ 清除臉部和身體上的粉塵
 - ▶ 穿著防護衣，用水和肥皂清洗裸露在外的身體部位
- ▶ 請經常休息，並活動您的手指以促進血液循環。長時間暴露在劇烈震動下會造成手指、手掌和手腕的血管或神經系統失調。
- ▶ 請勿直視機具的光源（LED），並且勿將光束瞄準其他人的臉部。可能會導致暈眩或眼睛受損的風險。
- ▶ 請避免讓溼氣進入裝置內部。溼氣可能造成短路，進而引起起火或燒傷的危險。
- ▶ 掉落的工具和配件有導致受傷的危險。開始作業前，請確認電池和安裝的附件已確實固定。
- ▶ 請勿將皮帶掛鉤固定在產品上。

電力安全

- ▶ 開始工作前，請先檢查工作區域是否有隱藏的電纜線、瓦斯管或水管。電線、天然氣管線或水管若損壞，本產品外側上的金屬零件可能導致觸電或爆炸。

小心處理與使用電動機具

- ▶ 若配件工具卡住或空轉，請關閉本產品。本產品可能會無法控制並偏向一側。
- ▶ 請等候產品完全停止再將其放下。

2.4 小心處理和使用電池

- ▶ 請遵守下列安全操作和使用鋰電池的安全注意事項。若未遵守，可能造成皮膚不適、嚴重腐蝕、化學燙傷、起火和/或爆炸。
- ▶ 請使用狀態完好無損的電池。
- ▶ 請小心處理電池，以避免其受損以及防止會嚴重危及健康的液體流出！
- ▶ 電池嚴禁修改或改裝！
- ▶ 請勿拆解、擠壓或焚燒電池，且不可將電池置放在溫度超過80°C（176°F）的環境中。
- ▶ 電池受過衝擊或其他損壞後，請勿使用或充電。請定期檢查電池是否有損壞的跡象。
- ▶ 請勿使用回收或維修過的電池。
- ▶ 請勿將電池或電池供電之機具作為鎚子使用。
- ▶ 請勿讓電池暴露在直接日曬、溫度過高、有火花或明火的環境中，否則可能導致爆炸。
- ▶ 請勿用手指、工具、珠寶或其他會導電的物品觸摸電池極柱，否則可能導致電池損壞、財物損失和人員受傷。
- ▶ 電池應避免淋雨、潮濕和水氣。水氣滲入會造成短路、觸電、燙傷、起火和爆炸。
- ▶ 請使用適用於該電池型號的充電器與電動工具。請詳閱並遵守相關操作說明書中的說明。
- ▶ 請勿在易爆炸環境中使用或存放電池。



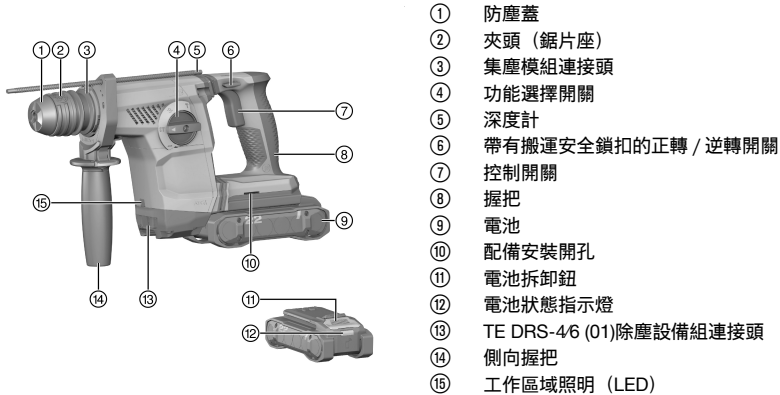
- ▶ 若電池溫度過高無法觸摸，表示電池可能已經毀損。將電池放在清楚可見且沒有火災危險、遠離易燃材料的位置。讓電池冷卻。若一小時後電池溫度仍然過高無法觸摸，表示電池可能已經毀損。請洽詢Hilti維修中心或詳讀「Hilti鋰電池安全注意事項和使用」文件。



請遵守適用於運輸、存放和使用鋰離子電池的專用指令。→ 頁次 150
請透過本操作說明書末尾的條碼取得並詳讀Hilti鋰電池安全注意事項和使用。

3 說明

3.1 產品總覽



- ① 防塵蓋
- ② 夾頭（鋸片座）
- ③ 集塵模組連接頭
- ④ 功能選擇開關
- ⑤ 深度計
- ⑥ 帶有搬運安全鎖扣的正轉 / 逆轉開關
- ⑦ 控制開關
- ⑧ 握把
- ⑨ 電池
- ⑩ 配備安裝開孔
- ⑪ 電池拆卸鈕
- ⑫ 電池狀態指示燈
- ⑬ TE DRS-46 (01)除塵設備組連接頭
- ⑭ 側向握把
- ⑮ 工作區域照明（LED）

3.2 用途

本產品為充電式（電池動力）旋轉鎚SDS-Plus。適用於鋼材、木材、石材的鑽孔和混凝土與石材的鎚擊鑽孔，以及裝卸螺絲。亦可於石材上進行輕鑿孔及於混凝土上進行表面拋光作業。

- 本產品限使用B 22Hilti Nuron系列鋰電池。為達最理想的效能，Hilti建議本產品使用本操作說明書末尾表格中所列的電池。
- 僅可使用本操作說明書末尾表格中所列的Hilti系列的電池充電器為電池充電。

3.3 配備及數量

旋轉鎚SDS-Plus、側向握把、深度計、潤滑油、操作說明。

TE DRS-46 (01)除塵設備組可大幅減少粉塵量，為可搭配使用的配件。

關於本產品，您可於當地www.hilti.group或網站查詢其他經過認證可搭配使用的系統產品：Hilti Store

3.4 鋰電池的顯示幕

Hilti Nuron鋰電池會顯示電池的電力、錯誤訊息和狀態。

3.4.1 電力和錯誤訊息的顯示



警告

有受傷的危險！因電池掉落

- ▶ 電池已插入時，請在按下拆卸鈕後確保電池重新正確地卡入所使用的產品中。

如欲獲得下列其中一個顯示畫面，請短按電池拆卸鈕。

只要已連接的產品已啟動，也會持續顯示充電狀態和可能的功能故障。

狀態	意義
四個 (4) LED持續亮綠燈	充電狀態：100 %至71 %
三個 (3) LED持續亮綠燈。	充電狀態：70 %至51 %
兩個 (2) LED持續亮綠燈。	充電狀態：50 %至26 %



狀態	意義
一個 (1) LED持續亮綠燈。	充電狀態：25 %至10 %
一個 (1) LED緩慢閃綠燈。	充電狀態：< 10 %
一個 (1) LED快速閃綠燈。	鋰電池已完全沒電。裝入電池。 電池充電後若LED仍快速閃爍，請洽詢Hilti維修中心。
一個 (1) LED快速閃黃燈。	鋰電池或與之連接的產品過載、溫度太高、溫度太低或有其他故障情形。 請讓產品和電池維持在建議的操作溫度，並在使用時不要使產品過載。 若訊息持續存在，請洽詢Hilti維修中心。
一個 (1) LED亮黃燈	鋰電池和與其連接的產品不相容。請聯絡Hilti維修中心。
一個 (1) LED快速閃紅燈	鋰電池已鎖定，無法繼續使用。請聯絡Hilti維修中心。

3.4.2 顯示電池狀態

如欲檢查電池狀態，請按住拆卸鈕3秒鐘以上。系統無法偵測到電池因掉落、刺穿、外部熱損傷等錯誤使用造成的潛在功能故障。

狀態	意義
所有LED以跑馬燈形式亮起，然後一個LED持續亮起綠色。	電池仍可繼續使用。
所有LED以跑馬燈形式亮起，然後一個LED快速閃爍黃色。	無法完成有關電池狀態的查詢。請重複上述程序或洽詢Hilti維修中心。
所有LED以跑馬燈形式亮起，然後一個LED持續亮起綠紅色。	若連接之產品仍可繼續使用，剩餘的電池容量會低於50%。 若連接之產品無法使用，表示電池已達最終使用壽命，應進行更換。請聯絡Hilti維修中心。

4 技術資料

重量依據EPTA Procedure 01不含電池	2.84 kg
單次衝擊力 (依據EPTA程序05)	2.6 J
混凝土 / 石材鑽孔直徑範圍 (鎚擊鑽孔)	4 mm ... 28 mm
操作時的環境溫度	-17 °C ... 60 °C
貯放溫度	-20 °C ... 70 °C

4.1 電池

電池操作電壓	21.6 V
電池重量	請參閱本操作說明書結尾處
操作時的環境溫度	-17 °C ... 60 °C
貯放溫度	-20 °C ... 40 °C
電池充電啟動溫度	-10 °C ... 45 °C

4.2 噪音資訊和震動值 (依據EN 60745)

操作說明中所提供之音壓和震動值已參照標準測量，並可用來比較不同機具之噪音。它們也可作為噪音量的初步評估。提供之資料表示機具主要應用時之數值。若機具應用於不同之用途，搭配不同的配件工具或在保養不良的情況下，其數據會有所不同。在作業過程中，這會大幅提高其噪音量。當機具關閉，或開啟但未進行任何作業時也應列入考量，才能準確評估噪音量。在作業過程中，這會大幅降低其噪音量。確認其他安全措施，以保護操作員不受噪音和 / 或震動影響，例如：保養機具與其配件工具、操作前保持雙手溫暖、作業型式之安排等。



震動值

釋放的音壓級數 (L_{pA})	91 dB(A)
無法判定的音壓級數 (K_{pA})	3 dB(A)
聲功率級數 (L_{WA})	102 dB(A)
無法判定的聲功率級數 (K_{WA})	3 dB(A)

總震動

		TE 6-22	TE 6-22 + TE DRS-46 (01)
混凝土鎚擊鑽孔 ($a_{h, HD}$)	B 22-85	10.7 m/s ²	10.6 m/s ²
	B 22-170	10.4 m/s ²	11.3 m/s ²
鑿孔	B 22-85	6.3 m/s ²	5.5 m/s ²
	B 22-170	6.3 m/s ²	6.0 m/s ²
無法判定 (K)		1.5 m/s ²	1.5 m/s ²

5 工作場所的準備工作



警告

有受傷的風險！因意外啟動

- ▶ 置入電池前，請確認產品已關閉。
- ▶ 在調整機具或變更配件前請先將電池拆下。

請遵守本文件中與產品上的安全說明和警告。

5.1 為電池充電

1. 電池充電前，請閱讀充電器的操作手冊。
2. 確認電池的接點和充電器的接點清潔且乾燥。
3. 請使用經認可的充電器對電池充電。→ 頁次 145

5.2 置入電池



警告

有受傷的危險 因短路或電池掉落！

- ▶ 置入電池前，請確認電池的接點及產品的接點上無任何異物。
- ▶ 確認電池已確實咬合。

1. 初次使用前，請將電池完全充電。
2. 將電池推入產品中，直到聽到卡入聲。
3. 請檢查電池是否安裝牢固。

5.3 卸下電池

1. 按下電池拆卸鈕。
2. 將電池從產品卸下。

5.4 安裝側向握把

1. 旋轉握把以鬆開側向握把夾緊帶。
2. 將側向握把夾緊帶由前方繞過夾頭，然後推入提供的凹槽中。
3. 將側向握把轉至需要的位置。
4. 旋轉握把以鎖緊側向握把夾緊帶。

5.5 安裝配件工具

在配件工具的連接頭添加少量的潤滑劑。
限使用Hilti提供的建議潤滑劑。使用錯誤的油脂會造成機具損壞。



1. 盡可能將配件工具推入夾頭內，轉動並輕壓直到發出咬合的喀搭聲為止。
2. 裝上配件工具後，請將其抓住並拉動以確認是否已咬合至定位。
 - ▶ 產品已可以使用。

5.6 卸下配件

注意

配件工具造成受傷的危險！配件工具可能會非常燙或是有尖銳的邊緣。

- ▶ 請在更換配件工具時戴上防護手套。

1. 將配件工具固定棒盡可能向後拉回。
2. 卸下配件。

5.7 安裝與調整深度計

1. 按住側向握把的解鎖按鈕。
2. 將深度計從前方推入側向握把之開口中。將深度計調整至需要的鑽孔深度。
3. 鬆開拆卸鈕。
 - ▶ 深度計已鎖止。

5.8 防墜安全裝置

警告

受傷危險 因工具和/或配件掉落所致！

- ▶ 請您務必使用本公司建議與本產品搭配使用的Hilti工具繫繩吊環。
- ▶ 每次使用前，應要檢查工具繫繩吊環的固定點有無損壞跡象。



請您遵守各國的高處作業規範。

請僅使用Hilti防掉落擊發裝置和Hilti工具繫繩吊環#2261970的組合，作為本產品的防墜保護。

- ▶ 將防掉落擊發裝置固定在配件的安裝開口內。檢查其是否確實牢固。
- ▶ 將工具繫繩吊環的一個彈簧鈎扣固定在防掉落擊發裝置上，再將另一個彈簧鈎扣固定在具支承功能的結構上。檢查兩個彈簧鈎扣是否確實牢固。



請遵守Hilti防掉落擊發裝置和Hilti工具繫繩吊環的操作說明書。

6 操作

請遵守本文件中與產品上的安全說明和警告。

6.1 切換開與關

1. 若要啟動本產品，請按壓控制開關。
 - ▶ 視控制開關的壓入深度而定，轉數可無段式調節。
2. 若要關閉本產品，請鬆開控制開關。

6.2 旋轉方向

- ▶ 設定旋轉方向。
 - ▶ 選擇開關會咬合在這個位置。

6.3 功能選擇開關


請將功能選擇開關設在所需功能。



有損壞的危險！馬達運轉時，請勿操作功能選擇開關。



鑽孔時無鎚擊動作

- 將功能選擇開關設為 。


鎚擊鑽孔

- 將功能選擇開關設為 。

鑿子定位

- 將功能選擇開關設為 。

鑿孔

- 將功能選擇開關設為 。

7 選配配件

7.1 TE DRS-46 (01)除塵設備組

除塵設備組為SDS-Plus TE DRS-46 (01) 旋轉鎚鑽的配件。除塵設備組可快速收集大部分產生的粉塵，且它能迅速並簡易地安裝至旋轉鎚鑽SDS-Plus上。除塵設備組有一內建抽風機。此抽風機由本身的馬達驅動。旋轉鎚鑽SDS-Plus啟動時，除塵設備組將由旋轉鎚鑽SDS-Plus的電池供電。

除塵設備組並不適用於對金屬或木材所進行的作業。

條件: TE DRS-46 (01) OSHA

OSHA 1926.1153可滿足Table 1 TE DRS-46 (01) OSHA之需要。其具備過濾清潔機制。

7.2 安裝集塵模組，供頭部以上作業使用

1. 插入配件工具。→ 頁次 147
2. 將集塵模組推到夾頭上方，然後將之裝入旋轉鎚SDS-Plus機殼上的溝槽中。
3. 將集塵模組以逆時針方向鎖至緊固。

8 維護及保養

警告

電池裝入時有受傷的危險！

- ▶ 進行維護及保養前，請務必卸下電池！

產品保養

- 小心地清除頑強的髒污。
- 若有，請使用乾燥的軟刷子小心地清潔通風口。
- 僅可使用微濕的軟布清潔機殼。請勿使用含矽膠的清潔或亮光劑，因為可能會造成塑膠零件損壞。
- 請使用乾淨的乾布清潔產品的接點。

鋰電池的保養

- 通風口堵塞時請勿使用電池。請使用乾燥的軟刷子小心地清潔通風口。
- 請避免電池暴露在粉塵或髒污的環境之中。請勿讓電池接觸過高的濕氣（例如：浸入水中或淋雨）。電池若濕透，請將該電池視為已受損。請將電池隔絕在不可燃的容器內，並洽詢Hilti維修中心。
- 避免電池沾上油脂。避免讓電池上積聚粉塵或髒污。請使用乾燥的軟刷或乾淨的乾布清潔電池。請勿使用含矽膠的清潔或亮光劑，因為可能會造成塑膠零件損壞。
請勿觸摸電池的觸點或從觸點上去除出廠塗敷的油脂
- 僅可使用微濕的軟布清潔機殼。請勿使用含矽膠的清潔或亮光劑，因為可能會造成塑膠零件損壞。

維護

- 定期檢查外部零件和控制元件有無損壞跡象，並確認它們運作正常。
- 如果有損壞跡象或任何零件功能故障，請不要操作本產品。請立即將產品交付Hilti維修中心進行維修。
- 清潔及保養後，裝上所有防護套或保護裝置並檢查功能是否正常。



為確保操作的安全及可靠性，請務必使用原廠Hilti備件與耗材。您可以在Hilti Store或在以下網站選購Hilti認可的備用零件、耗材和配件：www.hilti.group



8.1 清潔防塵套

- ▶ 定期使用乾燥而清潔的布清潔夾頭上的防塵套。
- ▶ 請小心擦拭清潔其密封口，然後再稍微上Hilti潤滑油。
- ▶ 請特別注意，若密封口受到損壞，一定要更換防塵套。

9 充電式機具和電池的運輸與存放

搬運

注意

搬運時意外啟動！

- ▶ 搬運產品時務必卸下電池！
- ▶ 取出電池。
- ▶ 切勿散裝運輸電池。運送過程中，應保護電池避免衝擊與震動並與導電物質或其他電池隔離，以免因與電池端子接觸而造成短路。請遵守您所在地當地的電池運輸規範。
- ▶ 請勿以郵寄方式遞送電池。若要運送未損壞之電池，請洽詢運送服務商。
- ▶ 每次使用前以及長途運輸前後請檢查本產品和電池是否受損。

設備的貯放

警告

瑕疵或漏液的電池所造成的意外損害！

- ▶ 存放產品時，一律不可插入電池！
- ▶ 請將本產品和電池存放在陰涼及乾燥處。請遵守技術性數據中所規定的溫度極限值。
- ▶ 請勿將電池貯放在充電器中。完成充電程序後，請將電池從充電器取出。
- ▶ 請勿將電池存放在有日光直射處、熱源上或玻璃後方。
- ▶ 請將本產品和電池存放在兒童或未授權人員無法觸及的地點。
- ▶ 每次使用前以及長時間存放前後請檢查本產品和電池是否受損。

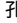
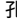
10 故障排除

發生任何故障時，請您留意電池充電狀態及故障指示燈。請參閱鋸電池指示器章節。

若您遇到未列出的問題或是無法自行排除的問題，請聯絡Hilti維修中心。

故障	可能原因	解決方法
控制開關無法按下，意即開關鎖住。	正轉 / 逆轉開關位於中間位置。	▶ 將正轉 / 逆轉開關推向右邊或左邊。
驅動軸未旋轉。	電池沒有完全置入。	▶ 壓下電池直到聽見咬合時發出的喀啦聲。
	正轉 / 逆轉開關位於中間位置。	▶ 將正轉 / 逆轉開關推向右邊或左邊。
	功能選擇開關未鎖定或位在「鑿子」 位置、或「定位鑿子」 位置。	▶ 將功能選擇開關設在「無鏈擊鑽孔」 或「鏈擊鑽孔」 的靜止位置。
無鏈擊動作。	產品過冷。	▶ 緩慢並小心的將產品與工作表面接觸，開啟並讓其以怠速運轉。如果需要，請重複此程序直到鏈擊機制開始運作。
	將功能選擇開關設在「無鏈擊鑽孔」 。	▶ 將功能選擇開關設在「鏈擊鑽孔」 的位置。
電池較一般電池壽命短。	電池電力非處於最佳狀態。	▶ 檢查充電電池的電量。 → 頁次 145
電池咬合時不會發出喀啦聲。	電池上的卡榫太髒。	▶ 清潔卡榫並重新安裝電池。
電池的LED未亮起	電池故障	▶ 聯絡Hilti維修中心。
本產品或電池的溫度極高。	電力故障	▶ 立即關閉產品。請取下電池並置於可隨時觀察的位置。待其冷卻後。聯絡Hilti維修中心。




故障	可能原因	解決方法
彈圈夾具無法鬆開。	夾頭未完全拉回。	▶ 將夾頭拉回直到移除配件工具為止。
機具無法繼續作業。	本產品設定成以逆轉方式運作。	▶ 將正轉 / 逆轉選擇開關移至「正轉」位置。
	將功能選擇開關設在「無鎚擊鑽孔」 	▶ 將功能選擇開關設在「鎚擊鑽孔」 

11 廢棄設備處置

警告

不當的廢棄物處理可能導致人員受傷！洩漏出來的氣體或液體有害健康。

- ▶ 請勿以郵寄方式寄送電池。
- ▶ 將電池端子上不導電物質（例如絕緣膠帶）以避免短路。
- ▶ 請將電池棄置於兒童無法觸及的地方。
- ▶ 請將該電池送交Hilti Store處理或洽詢權責的廢棄處理公司。

 Hilti產品所採用的材料大部分均可回收再利用。材料在回收前必須正確地分類。Hilti在許多國家都有提供老舊機具回收服務。請洽詢Hilti客服中心或您在地經銷商。



- ▶ 請勿將機具、電子設備或電池當作一般家用廢棄物處理！

12 製造商保固

- ▶ 如果您對於保固條件有任何問題，請聯絡當地Hilti代理商。

Hilti Taiwan Co., Ltd.

4/F, No. 2 Jen Ai Road, Sec. 2, Taipei, 10060 Taiwan

Tel. +886 2 2357 9090

13 其他資訊

有關於操作、技術、環境和回收的更多資訊，請參訪以下連結：qr.hilti.com/manual?id=2264935&id=2264937

您也可在文件最後找到本連結的QR碼。

原版操作说明译文

1 文档信息

1.1 关于该文档

- 首次操作或使用前，请先阅读本文档。这是安全、无故障地操作和使用产品的前提条件。
- 请遵守本文档中以及产品上的安全说明和警告。
- 请务必将本操作说明与本产品保存在一起，确保将操作说明随产品一起交给他人。

1.2 所用标志的说明

1.2.1 警告

警告是为了提醒您在处理或使用此产品时会发生的危险。使用以下信号词：

 -危险-

危险！

- ▶ 用于让人们能够注意到会导致严重身体伤害或致命的迫近危险。





-警告-

警告！

► 用于提醒人们注意可能导致严重或致命伤害的潜在危险。



-小心-

小心！

► 用于提醒人们注意可能造成人身伤害、设备损坏或其他财产损失的潜在危险情况。

1.2.2 操作说明中的符号

本操作说明中使用下列符号：

	遵守操作说明
	使用说明和其他有用信息
	处理可回收材料
	不得将电气设备和电池作为生活垃圾处置
	Hilti 锂离子电池
	Hilti 充电器

1.2.3 图示中的符号

图示中使用了下列符号：

	这些编号指本操作说明开始处的相应图示。
3	图示中的编号反映操作顺序，可能与文本中描述的步骤不同。
	位置编号被用于 概览 图中并表示 产品概览 段落中的图例编号。
	这些字符旨在提醒您特别注意操作本产品时的某些要点。

1.3 与产品相关的标志

1.3.1 产品使用的标志

产品使用的符号如下：

	本产品支持近场通信 (NFC) 技术，兼容 iOS 和安卓平台。
	不通过锤击作用钻孔
	通过锤击作用钻孔 (锤击钻孔)
	离合器定位
	凿边
	正向/反向
n_0	无负荷下的额定转速
	直流电 (DC)
Li-Ion	锂离子电池
	切勿将电池用作敲击工具。





请勿让电池掉落。切勿使用受到撞击或有任何损坏的电池。

1.4 产品信息

HILTI 产品经设计适用于专业用户，只有经过专门训练的授权人员才允许操作、维修和维护本产品。必须将任何可能的危险专门告知该人员。不按照既定用途使用或由未经培训的人员不正确地使用本产品及其辅助设备可能会带来危险。

型号名称和序列号印在铭牌上。

▶ 在下表中填写序列号。在联系 Hilti 维修中心或当地 Hilti 机构询问产品时，将要求您提供产品的详细信息。

产品信息

旋转电锤 SDS-Plus	TE 6-22
代次	05
序列号	

1.5 符合性声明

制造商全权负责声明，此处所述及的产品符合现行法规和标准。一致性声明副本位于本文档结尾处。

技术文档在此处归档：

Hilti Entwicklungsgesellschaft mbH | Tool Certification | Hiltistrasse 6 | D-86916 Kaufering, Germany

2 安全

2.1 一般电动工具安全警告

⚠ 警告 请阅读本电动工具随附的所有安全警告、说明、图示和技术规范。不遵守下列所有操作说明可能会导致电击、火灾和/或严重人身伤害。

请保存所有安全警告和操作说明，以供将来参考。

在所有下列的警告中术语“电动工具”指市电驱动(有线)电动工具或电池驱动(无线)电动工具。

工作区域安全

- ▶ 保持工作区域清洁和良好照明。杂乱和黑暗的区域容易导致事故。
- ▶ 不要在爆炸性环境中操作电动工具，例如有易燃液体、气体或灰尘。电动工具会产生可以点燃这些灰尘或烟雾的火花。
- ▶ 在操作电动工具时，要令儿童和旁观者远离工作现场。万一分心，可能会使您失去对电动工具的控制。

电气安全

- ▶ 电动工具(设备)插头必须匹配电源插座。切勿以任何方式改动插头。对于接地的电动工具(设备)，不要使用任何适配器插头。使用未经改动的插头和匹配的电源插座可以大大减少电击危险。
- ▶ 避免人体接触接地表面，如管道、散热片和冰箱。如果您的身体接地，则会增加电击危险。
- ▶ 不要将电动工具暴露在雨水或潮湿环境中。电动工具进水将会增加电击危险。
- ▶ 不要滥用电缆。切勿使用电缆运送、拉动或拔出电动工具。保持电缆远离高温、油、锋利边缘或运动部件。电缆损坏或缠绕会增加电击危险。
- ▶ 当在户外操作电动工具时，应使用经认可适合户外操作的加长电缆。使用适合户外使用的电缆可减少电击危险。
- ▶ 如果在潮湿环境下操作电动工具是不可避免的，应使用剩余电流动作保护器(RCD)。使用 RCD 可减小电击危险。

人身安全

- ▶ 保持警觉，注意您正在进行的工作，并在操作电动工具的过程中，应利用自己的判断能力。当您疲劳或受到药物、酒精或医疗影响时，请不要使用电动工具。当操作电动工具时，瞬间的分心都可能导致严重的人身伤害。
- ▶ 使用个人防护装备。一定要戴上护目装置。安全装置，诸如适当条件下使用防尘面具、防滑安全鞋、安全帽、听力防护等装置能减少人身伤害。
- ▶ 防止电动工具意外启动。在连接至电源和/或电池组、拿起或搬运电动工具之前，应确保开关处于“关闭”位置。将手指放在开关上搬运电动工具或在开关处于“打开”位置时接通电源，都可能会导致事故发生。
- ▶ 在打开电动工具之前，必须拿掉任何调整键或扳手。让扳手或调整键留在电动工具的旋转部件上可能会导致人身伤害。
- ▶ 不要操之过急。应时刻保持正确的站姿和平衡。这在意外情况下能够更好地控制电动工具。
- ▶ 应确保正确着装。不要穿着松垮的衣服或佩戴首饰。让头发和衣服远离运动部件。松垮的衣服、首饰或长发会卡在运动部件中。



- ▶ 如果提供有用于连接除尘和集尘设施的装置，应确保将它们连接好并正确使用。使用除尘装置可以减少与灰尘相关的危险。
- ▶ 经常使用工具能令您获得较高的熟练度，但不能因此掉以轻心和忽视工具安全准则。一次不慎操作就会在瞬间导致重伤。

电动工具的使用和维护

- ▶ 不要强制使用电动工具。针对您的应用场合使用正确的电动工具。正确的电动工具在其额定设计值范围内将能够更好和更安全地工作。
- ▶ 如果通过开关不能使其打开和关闭，则请不要使用电动工具。任何不能通过开关进行控制的电动工具都是危险的，必须对其进行修理。
- ▶ 在进行任何调整、更换配件或存放电动工具之前，应从电源上断开插头和/或从电动工具上拆下电池组（若可拆卸）。此预防性安全措施可减少意外启动电动工具的危险。
- ▶ 将不用的电动工具存放在儿童拿不到的地方，并且不要让不熟悉电动工具或其操作说明的人员操作电动工具。未经培训的用户操作电动工具是危险的。
- ▶ 维护电动工具和配件。检查是否存在运动部件失调或卡滞、部件断裂和任何其它影响电动工具操作的情况。如果存在损坏，则在使用之前应修理电动工具。许多事故都是由于电动工具维护不良造成的。
- ▶ 保持切削工具锋利和清洁。带锋利切削刃的切削工具如果维护得当，很少会发生卡滞且更容易控制。
- ▶ 按照使用说明书，考虑作业条件和进行的作业来使用电动工具、附件和工具的刀头等。将电动工具用于指定用途以外的场合会导致危险。
- ▶ 使手柄和抓握面保持干燥、清洁且没有油脂。如果手柄和抓握面打滑，将无法在意外情况下安全操作或控制本工具。

无绳（电池操作）工具/设备的使用和维护

- ▶ 充电时只能使用制造商指定的充电器。适合某种类型电池组的充电器如果被用于为另一类型电池组充电，则可能会带来火灾危险。
- ▶ 只能使用专用电池组为电动工具供电。使用任何其它电池组可能会带来人身伤害和火灾。
- ▶ 当电池组不用时，应使其远离其它金属物体，例如纸夹、硬币、钥匙、钉子、螺钉或其它小的金属物体，以免造成短路。如果电池端子被短路，则会造成人员烧伤或火灾。
- ▶ 如果持续滥用电池，则可能会造成液体从电池中喷射出来；注意避免接触到液体。如果意外接触到液体，应用水冲洗。如果液体接触眼睛，除了用大量清水冲洗外，还应立即就医。从电池中喷射出来的液体会导致疼痛或灼伤。
- ▶ 不要使用损坏或改装过的电池组或工具。损坏或改装过的电池会造成不可预测的情形，导致火灾、爆炸或受伤风险。
- ▶ 不要将电池组或工具暴露在明火或过高的温度中。暴露在明火或超过 130 °C (265 °F) 温度中可能导致爆炸。
- ▶ 遵守所有充电说明，且不要在使用说明规定的温度范围之外对电池组或工具充电。充电不正确或在规定温度范围之外充电会损坏电池并增加火灾风险。

保养

- ▶ 将您的电动工具送交专业维修人员，使用同样的备件进行修理。这样才能确保维持电动工具（设备）的安全性。
- ▶ 切勿擅自维修损坏的电池组。仅可由制造商或授权服务提供商执行电池组的维修。

2.2 锤钻安全警告

- ▶ 戴好耳罩。暴露在噪声中会引起听力损伤。
- ▶ 使用随工具提供的辅助手柄。操作失手会引起人身伤害。
- ▶ 在切削附件可能触及暗线或其自身软线之处进行操作时，要通过绝缘握持面来握持工具。切削附件碰到带电导线会使工具外露的金属零件带电从而使操作者受到电击。

2.3 附加安全预防措施

人身安全

- ▶ 只有产品和附件处于良好的技术状态时才能使用。
- ▶ 切勿以任何方式擅自改动或改装本产品或附件。
- ▶ 更换配套工具时要戴防护手套，因为配套工具和夹头在使用过程中会发热。
- ▶ 用于其设计应用时，本产品会产生高扭矩。应始终用双手通过提供的手柄稳稳握住产品。用户必须做好切削工具突然卡滞和失速的准备。
- ▶ 检查并确认侧面手柄已正确安装和可靠固定。始终在末端握住侧面手柄。
- ▶ 加工时碎料会飞溅。飞溅的碎片可能会对身体和眼睛造成伤害。使用该产品时，请佩戴护目镜、安全帽和护耳装置。如果不使用除尘系统，则还应佩戴轻便的呼吸防护装置。



- ▶ 在需要穿透的待加工工件的对侧采取适当的安全措施。被钻下的工件部分可能会弹出或掉落并伤害到其他人。
- ▶ 当对天花板、墙壁和地板进行凿边时，请务必确保采用安全、稳妥的工作姿势。突然的穿透操作会影响您的身体平衡。
- ▶ 避免接触旋转零件 - 人身伤害的危险！
- ▶ 始终保持通风孔畅通。遮盖通风孔会有火灾风险！
- ▶ 先将产品置于工作位置，然后才开机。
- ▶ 请勿在灰尘严重的环境中工作。
- ▶ 磨削、抛光、切割和钻孔过程中产生的粉尘可能包含有害化学物质。一些例子包括：铅或铅基涂料；砖、混凝土、其他砖石产品、天然石材和其他含硅酸盐的产品；一些木材，例如橡木、山毛榉和化学处理过的木材；石棉或含石棉的材料。根据所处理材料的危险等级，确定操作员和附近人员的暴露程度。采取必要的措施将暴露保持在安全水平内，例如使用集尘系统或佩戴适当的呼吸防护装置。减少暴露的一般措施包括：
 - ▶ 在通风良好的区域进行操作，
 - ▶ 避免长时间接触粉尘，
 - ▶ 清除脸部和身体上的粉尘，
 - ▶ 穿着防护服并用肥皂和水清洗暴露的部位。
- ▶ 适当休息并活动手指，以改善手指的血液循环。工作期间长时间暴露于强烈振动环境中可能导致手指、手掌和手腕部位血管和神经系统紊乱。
- ▶ 切勿直视电动工具内集成的光源 (LED)，且不得将光束对准其他人的脸部。眩光或致盲危险。
- ▶ 注意避免湿气侵入。由湿气引起的短路会导致火灾或烧伤。
- ▶ 工具和/或附件掉落会带来人身伤害的危险。开始工作前请检查电池和安装的附件是否已牢固固定。
- ▶ 不要将带钩固定在产品上。

电气安全

- ▶ 开始工作之前，检查工作区域是否有隐蔽的电缆或天然气管和水管。如果电缆、燃气管或水管有损坏，则产品的外部金属部件可能会导致电击或爆炸。

小心操作和使用电动工具

- ▶ 如果配套工具卡住，应立即关闭本产品。本产品可能会跑偏并转向一侧。
- ▶ 直至产品完全停止才可将其放下。

2.4 小心处理和使用电池

- ▶ **请遵守以下关于安全操作和使用锂离子电动工具电池的安全提示。若未能遵守，会导致皮肤刺激、严重的腐蚀伤、化学烫伤、火灾和/或爆炸。**
- ▶ 只有电池处于良好的技术状态时才能使用。
- ▶ 请小心地处理电池，以防损坏电池和避免对健康极有害的液体泄漏！
- ▶ 严禁改装或篡改电池！
- ▶ 请勿拆开、挤压或烧毁电池，不要让它们暴露在超过 80°C (176°F) 的高温下。
- ▶ 对于遭受过撞击或有其他损坏的电池，切勿使用或对其进行充电。定期检查电池是否有损坏的迹象。
- ▶ 切勿使用回收的或修理过的电池。
- ▶ 切勿将电池或电池供电的电动工具用作锤子。
- ▶ 切勿将电池暴露在直射的阳光下、高温、火花或明火中。可能会导致爆炸。
- ▶ 切勿用手指、工具、珠宝或其他导电物体接触电池极片。否则会损坏电池，造成财产损失和人身伤害。
- ▶ 确保电池远离雨水、潮气和液体。受潮会导致短路、漏电、燃烧、火灾或爆炸。
- ▶ 仅限使用经批准用于特定电池类型的充电器和电动工具。阅读并遵守相关操作说明中的规定。
- ▶ 不得在易爆环境中存放或使用电池。
- ▶ 如果电池发热烫手，则可能有故障。请将电池放在醒目且无火灾风险的地方，并与易燃物品保持足够距离。让电池自行冷却。如果一小时后电池仍然发热烫手，则表示存在故障。请联系 **Hilti** 维修中心或阅读文档“有关 **Hilti** 锂离子电池安全性和使用的提示”。

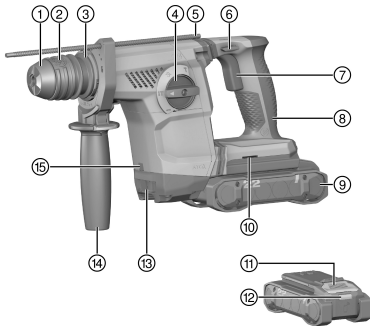


请遵守适用于锂离子电池运输、存储和使用的特殊准则。→ 页码 161

请通过扫描该操作说明末尾的二维码来阅读有关 **Hilti** 锂离子电池安全性和使用的提示。



3.1 产品概览



- ① 防尘罩
- ② 夹头 (锯条夹)
- ③ 用于集尘模块的接头
- ④ 功能选择开关
- ⑤ 深度计
- ⑥ 正逆转转换开关, 带运输固定装置
- ⑦ 控制开关
- ⑧ 把手
- ⑨ 电池
- ⑩ 附件安装孔
- ⑪ 电池解锁按钮
- ⑫ 电池状态指示器
- ⑬ 用于 TE DRS-4/6 (01) 除尘模块的接头
- ⑭ 侧面手柄
- ⑮ 工作区照明灯 (LED)

3.2 合规使用

所述产品为充电式旋转电锤 SDS-Plus。它设计用于对钢、木材和砖石钻孔, 对混凝土和砖石进行锤击钻孔以及敲入和拔出螺钉。本产品也可用于砖石建筑上的轻负荷凿边作业以及混凝土表面的修整工作。

- 本产品只能与 Hilti Nuron B 22 系列锂离子电锤搭配使用。为确保最佳功率, Hilti 建议为本产品使用该操作说明末尾表格中给出的电池。
- 此类电池仅限使用该操作说明末尾表格所规定型号系列的 Hilti 充电器充电。

3.3 供应的部件

旋转电锤 SDS-Plus、侧面手柄、深度计、油脂、操作说明。

TE DRS-4/6 (01) 除尘模块可大大减少粉尘排放, 以配件形式提供。

经批准可以与本产品搭配使用的其它系统产品, 可以在您当地的 www.hilti.group 购买或访问 Hilti Store 在线订购

3.4 锂离子电锤指示灯

Hilti Nuron 锂离子电锤可以显示电锤的充电状态、出错信息和状态。

3.4.1 充电状态和出错信息的显示



人身伤害的危险! 电池掉落危险!

▶ 在插入电锤的情况下按压解锁按钮后, 确保将电锤重新正确锁定在所用的电锤中。

请短暂按压电锤的解锁按钮, 以获得下列指示灯指示之一。

只要连接的产品已接通, 便会持续显示充电状态和可能的故障。

状态	含义
四个 (4) LED 灯持续亮起绿光	充电状态: 100 % 至 71 %
三个 (3) LED 灯持续亮起绿光	充电状态: 70 % 至 51 %
两个 (2) LED 灯持续亮起绿光	充电状态: 50 % 至 26 %
一个 (1) LED 灯持续亮起绿光	充电状态: 25 % 至 10 %
一个 (1) LED 灯缓慢闪绿光	充电状态: < 10 %
一个 (1) LED 灯快速闪绿光	锂离子电锤电量耗尽。为电锤充电。 如果在为电锤充电后 LED 灯始终快速闪烁, 请联系 Hilti 维修中心。



状态	含义
一个 (1) LED 灯快速闪黄光	锂离子电池或与其相连的产品过载、过热、过冷或存在其他故障。 使产品和电池达到建议的工作温度，并且在使用时不要使产品过载。 如果信息仍然存在，请联系 Hilti 维修中心。
一个 (1) LED 灯亮起黄光	锂离子电池和连接的产品不兼容。请联系 Hilti 维修中心。
一个 (1) LED 灯快速闪红光	锂离子电池被锁定且无法继续使用。请联系 Hilti 维修中心。

3.4.2 电池状态的显示

如要检查电池状态，请按住解锁按钮三秒钟以上。系统未检测到由于掉落、刺穿、外部热损坏等错误使用而引起的电池潜在故障。

状态	含义
所有 LED 灯都作为运行灯亮起，接着有一个 (1) LED 灯持续亮绿光。	电池可以继续使用。
所有 LED 灯都作为运行灯亮起，接着有一个 (1) LED 灯快速闪黄光。	未能完成电池状态的查询。请重复该过程或联系 Hilti 维修中心。
所有 LED 灯都作为运行灯亮起，接着有一个 (1) LED 灯持续亮红光。	如果仍然可以继续使用所连接的产品，则电池剩余电量不足 50%。 如果无法再使用所连接的产品，则电池的使用寿命即将结束，应予以更换。请联系 Hilti 维修中心。

4 技术参数

符合 EPTA Procedure 01 要求的重量 (不包括电池)	2.84 kg
单次冲击能量 (按照 EPTA 标准 05)	2.6 J
混凝土/砖石建筑的钻孔直径范围 (锤击钻孔)	4 mm ... 28 mm
适合工作的环境温度	-17 °C ... 60 °C
存放温度	-20 °C ... 70 °C

4.1 电池

电池工作电压	21.6 V
电池重量	参见操作说明结尾
适合工作的环境温度	-17 °C ... 60 °C
存放温度	-20 °C ... 40 °C
电池充电起始温度	-10 °C ... 45 °C

4.2 噪音信息和振动值按照 EN 60745 标准

这些说明中给出的声压和振动值按照标准化测试的要求测得，可用于比较一种电动工具与另一种电动工具。它们还可用于初步评价受振动影响的程度。提供的数据代表本电动工具的主要应用。但是，如果将电动工具用于不同的应用、使用不同的配件工具或维护不良，则数据可能不同。这可能会显著增加操作者在整个工作期间受振动影响的程度。对受振动影响程度的准确估计还应考虑当关闭电动工具或当它运行但实际未进行工作时的情况。这可能会显著减小操作者在整个工作期间受振动影响的程度。此外，应确定附加安全措施，以保护操作者免受噪音和/或振动影响，例如：正确维护电动工具和配套工具、保持双手温暖、合理安排工作方式。

噪声排放值

排放声压级 (L_{pA})	91 dB(A)
声压级的不确定性 (K_{pA})	3 dB(A)
声功率级 (L_{WA})	102 dB(A)
声功率级的不确定性 (K_{WA})	3 dB(A)



总振动力

		TE 6-22	TE 6-22 + TE DRS-46 (01)
在混凝土中锤击钻孔 ($a_{h, HD}$)	B 22-85	10.7 m/s ²	10.6 m/s ²
	B 22-170	10.4 m/s ²	11.3 m/s ²
凿边	B 22-85	6.3 m/s ²	5.5 m/s ²
	B 22-170	6.3 m/s ²	6.0 m/s ²
不确定度 (K)		1.5 m/s ²	1.5 m/s ²

5 工作现场的准备工作



-警告-

人身伤害的危险！意外启动的风险！

- ▶ 插入电池前，确保已关闭产品。
- ▶ 对电动工具执行任何调节或更换配件前，先取出电池。

请遵守本文档中以及产品上的安全说明和警告。

5.1 给电池充电

1. 为电池充电之前，请阅读充电器的操作说明。
2. 确保电池和充电器上的触点均清洁、干燥。
3. 使用认可的充电器为电池充电。→ 页码 156

5.2 插入电池



-警告-

人身伤害的危险！短路或电池掉落会带来人身伤害的危险！

- ▶ 装入电池之前，确保电池和产品上的触点上均无异物。
- ▶ 确保电池接合正确。

1. 在首次使用电池之前，要给电池完全充电。
2. 将电池推入产品，直至听到卡止声。
3. 检查并确认电池已可靠就位。

5.3 拆下电池

1. 按下电池释放按钮。
2. 从产品中取出电池。

5.4 安装侧面手柄

1. 通过转动手柄握柄释放侧面手柄夹紧带。
2. 将侧面手柄夹紧带越过夹头从前面滑入提供的凹槽中。
3. 将侧面手柄调整到期望的位置。
4. 通过转动手柄握柄紧固侧面手柄夹紧带。

5.5 安装配套工具



稍稍润滑配套工具的连接端。

请仅使用 Hilti 提供的推荐润滑脂。使用错误的润滑脂可能会导致产品损坏。

1. 将配套工具推入夹头中并推到底，转动并施加轻微的压力，直至听到其接合时发出“咔哒”的声音。
2. 安装配套工具后，请务必握住并拉动它，确认其已可靠接合。
 - ▶ 本产品处于备用状态。



5.6 拆卸配件工具



配套工具有导致人身伤害的危险！配套工具可能会发烫或边缘很锋利。

- ▶ 更换配套工具时，戴上防护手套。

1. 将配套工具固定杆尽可能向后拉回。
2. 拆卸配件工具。

5.7 安装和调整深度计

1. 按压并按住侧面手柄上的解锁按钮。
2. 从前面将深度计滑入侧面手柄上提供的开口中。将限深器调整到需要的钻深。
3. 松开解锁按钮。
 - ▶ 深度计已锁定。

5.8 防坠落装置



人身伤害的危险会带来人身伤害的危险！

- ▶ 请只是为您的产品推荐的 Hilti 工具绳索。
- ▶ 在使用前请检查工具绳索的固定点有无损坏。



注意高空作业的国家法规。

请仅使用 Hilti 保险带和 Hilti 工具挂绳 #2261970 作为本产品的防坠落保护装置。

- ▶ 将保险带固定到附件的安装孔中。检查是否已牢牢固定。
- ▶ 将工具挂绳的一个弹簧钩固定到保险带上，另一个弹簧钩固定到支撑结构上。检查两个弹簧钩是否已牢牢固定。



请遵守 Hilti 保险带以及 Hilti 工具挂绳的操作说明。

6 操作

请遵守本文档以及产品上的安全说明和警告。

6.1 接通和关闭

1. 按压控制开关，即可接通产品。
 - ▶ 可以根据控制开关的压入深度无级调节转速。
2. 松开控制开关，即可关闭产品。

6.2 旋转方向

- ▶ 设置旋转方向。
 - ▶ 选择开关在该位置接合。


6.3 功能选择开关

将功能选择开关调到所需的功能。




损坏风险！电机运行时请勿操作功能选择开关。

不通过锤击作用钻孔

- 将功能选择开关调到 。

锤击钻孔

- 将功能选择开关调到 。



凿子定位

- 将功能选择开关调到 \rightarrow 。

凿边

- 将功能选择开关调到 **T**。

7 选装配件

7.1 TE DRS-46 (01) 除尘模块

除尘模块是 SDS-Plus TE DRS-46 (01) 旋转电锤的配件。它能够收集大多数粉尘，并能快捷方便地安装到旋转电锤 SDS-Plus 上。除尘模块具有内置吸尘风扇。该风扇由其自带的电机驱动。当旋转电锤 SDS-Plus 接通时，除尘模块由旋转电锤 SDS-Plus 的电池供电。

除尘模块不适合对金属和木材进行作业。

条件: TE DRS-46 (01) OSHA

OSHA 1926.1153 满足 Table 1 TE DRS-46 (01) OSHA 的要求。它具有过滤器清洁机构。

7.2 安装集尘模块，以便在垂直头顶进行作业

1. 插入配件工具。→ 页码 158
2. 将集尘模块推到工具夹头的上方，然后将其装到旋转电锤 SDS-Plus 壳体上的凹槽中。
3. 逆时针转动集尘模块，以便将其锁定。

8 维护和保养

-警告-

插入电池时存在人身伤害危险！

- ▶ 执行维护和保养任务之前，请务必先取出电池。

工具的保养

- 请小心地清除顽固污渍。
- 用干燥的软毛刷 (若有) 小心地清洁通风槽。
- 请仅使用微湿的抹布清洁外壳。不要使用含硅清洁剂，否则可能腐蚀塑料件。
- 用干燥干净的布清洁产品触点。

锂离子电池的保养

- 切勿使用通风槽堵塞的电池。用干燥的软毛刷小心地清洁通风槽。
- 避免不必要地将电池暴露在粉尘或污垢中。切勿将电池暴露在高湿度的环境中 (例如将其浸在水中或放在雨中)。如果电池浸湿，请如处理损坏的电池那样对其进行处理。将其隔离在不可燃的容器中，然后联系 Hilti 维修中心。
- 确保电池远离外来油脂。切勿让不必要的粉尘或脏污积聚在电池上。用干燥的软毛刷或干燥干净的布清洁电池。不要使用含硅清洁剂，否则可能腐蚀塑料件。不要触摸电池触点，不要清除出厂时涂抹在触点上的油脂。
- 请仅使用微湿的抹布清洁外壳。不要使用含硅清洁剂，否则可能腐蚀塑料件。

维护

- 定期检查所有可见部件和控制器是否出现损坏迹象，确保其全部正常工作。
- 如果发现损坏迹象或如果有部件发生故障，不要操作本产品。立即将本产品交由 Hilti 维修中心修复。
- 清洁和维护之后，安装所有护板或保护装置，检查并确认其正常工作。

为确保安全和可靠的操作，仅限使用 Hilti 原装备件和消耗品。经 Hilti 许可可与产品搭配使用的备件、消耗品和配件可到您当地的 **Hilti Store** 购买或访问：www.hilti.group

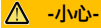
8.1 清洁防尘罩

- ▶ 使用干燥、干净的抹布定期清洁夹头上的防尘罩。
- ▶ 小心地擦拭密封唇以对其进行清洁，然后再次用 Hilti 润滑脂轻轻地对其进行润滑。
- ▶ 当密封唇损坏时，必须更换防尘罩。



9 电池型工具和电池的运输及存储

运输



-小心-

运输途中的意外启动！

▶ 运输产品前务必将电池取出！

- ▶ 取下电池。
- ▶ 切勿松散、未加保护地运输电池。在运输过程中，应保护电池免受过度冲击或振动影响，并将其与任何导电材料或其它电池分开（因为它们可能会接触到电池端子并导致短路）。请遵守当地的电池运输规定。
- ▶ 请勿以邮寄方式运送电池。有关如何运送完好电池的说明，请咨询您的发货商。
- ▶ 每次使用前以及长时间运输前后都要检查产品和电池是否损坏。

存放



-警告-

故障或泄漏的电池会导致意外损坏！

▶ 仅可在未插入电池的情况下存放产品！

- ▶ 请将产品和电池存放于凉爽干燥的地方。请遵守技术数据中规定的温度极限值。
- ▶ 请勿将电池存放在充电器中。充电过程结束后请始终将电池从充电器中取出。
- ▶ 切勿将电池存放在阳光下、热源上或玻璃后。
- ▶ 请将本产品与电池存放在儿童或非授权人员无法接近的位置。
- ▶ 每次使用前以及长时间存放前后都要检查产品和电池是否损坏。

10 故障排除

出现任何故障时，都应注意电池充电状态和故障指示灯。参见锂离子电池指示灯一章。

如果您碰到的问题未在此表中列出或您无法自行排除，请联系 Hilti 维修中心。

故障	可能原因	解决方案
不能按下控制开关，即开关被锁止。	前进/后退开关处于中间位置。	▶ 向右或向左推动前进/后退开关。
驱动轴不旋转。	电池未完全插入。	▶ 让电池嵌入，直到听到“咔嚓”声。
	前进/后退开关处于中间位置。	▶ 向右或向左推动前进/后退开关。
	功能选择开关未嵌入或者处于“凿削”位置 T 或处于“凿子定位”位置 → 。	▶ 在停机状态下将功能选择开关调到“不通过锤击作用钻孔” ½ 或“锤击钻孔” ½T 。
没有锤击作用。	产品过冷。	▶ 使产品与工作面接触，将其打开并空转。必要时，重复该步骤，直到锤击机构开始工作。
	将功能选择开关调到“不通过锤击作用钻孔” ½ 。	▶ 将功能选择开关调到“锤击钻孔” ½T 。
电池比平常更快耗尽。	电池状态不是最佳。	▶ 查询电池状态。→ 页码 156
电池在嵌入时没有发出“咔嚓”声。	电池上的固定凸耳脏污。	▶ 清洁固定凸耳，然后重新安装电池。
电池 LED 未亮起	电池损坏	▶ 联系 Hilti 维修中心。
产品或电池变得很热。	电气损坏	▶ 立即关闭本产品。取出电池并仔细观察。使其冷却下来。联系 Hilti 维修中心。
无法释放插入工具。	夹头未完全向后拉回。	▶ 向后拉动夹头，直到拉不动为止，然后拆下配套工具。
电动工具不前进。	将产品切换到逆转。	▶ 将逆转转换开关切换到逆转。
	将功能选择开关调到“不通过锤击作用钻孔” ½ 。	▶ 将功能选择开关调到“锤击钻孔” ½T 。




11 废弃处置

**-警告-**

废弃处理不当会有人身伤害的危险！漏出的气体或液体会带来健康危害。

- ▶ 不得通过邮寄方式发送任何电池。
- ▶ 用非导电材料 (比如绝缘带) 包住端子, 以防止短路。
- ▶ 在儿童接触不到的地方处置电池。
- ▶ 请将电池送交 **Hilti Store** 处置, 或咨询当地的废弃处理机构以获取处置说明。

 制造 **Hilti** 产品所用的大部分材料都可回收利用。在可以回收之前, 必须正确分离材料。 **Hilti** 在很多国家都提供旧工具回收服务。请咨询 **Hilti** 客户服务部门或您的销售顾问。



- ▶ 不得将电动工具、电子设备或电池作为生活垃圾处置！

12 制造商保修

- ▶ 如对保修条件有任何疑问, 请联系您当地的 **Hilti** 代表。

13 更多信息

关于操作、技术、环保和回收的更多信息请查看以下链接：qr.hilti.com/manual?id=2264935&id=2264937
文档末尾也提供二维码链接。

Originālā lietošanas instrukcija

1 Informācija par dokumentāciju

1.1 Par šo dokumentāciju

- Pirms ekspluatācijas sākšanas obligāti izlasiet šo dokumentāciju. Tas ir priekšnoteikums darba drošībai un izstrādājuma lietošanai bez traucējumiem.
- Ievērojiet drošības norādījumus un brīdinājumus, kas atrodami šajā dokumentācijā un uz izstrādājuma.
- Vienmēr glabājiet lietošanas instrukciju izstrādājuma tuvumā un nododiet to kopā ar izstrādājumu, ja tas tiek nodots citām personām.

1.2 Apzīmējumu skaidrojums

1.2.1 Brīdinājumi

Brīdinājumi pievērš uzmanību bīstamībai, kas pastāv, strādājot ar izstrādājumu. Tiek lietoti šādi signālvārdi:

 **BĪSTAMI!**

BĪSTAMI!!

- ▶ Pievērš uzmanību draudošām briesmām, kas var izraisīt smagus miesas bojājumus vai nāvi.

 **BRĪDINĀJUMS!**

BRĪDINĀJUMS!!

- ▶ Pievērš uzmanību iespējamam apdraudējumam, kas var izraisīt smagas traumas vai pat nāvi.

 **IEVĒROT PIESARDZĪBU!**

UZMANĪBU!!

- ▶ Norāda uz iespējami bīstamām situācijām, kas var izraisīt traumas vai materiālos zaudējumus.

1.2.2 Simboli lietošanas instrukcijā

Šajā lietošanas instrukcijā tiek izmantoti šādi simboli:



	Ievērojiet lietošanas instrukciju
	Norādījumi par lietošanu un cita noderīga informācija
	Rīcība ar otrreiz pārstrādājamiem materiāliem
	Neizmetiet elektroiekārtas un akumulatorus sadzīves atkritumos.
	Hilti Litija jonu akumulators
	Hilti Lādētājs

1.2.3 Attēlos lietotie simboli

Attēlos tiek lietoti šādi simboli:

	Šis skaitļi norāda uz attiecīgajiem attēliem, kas atrodami šīs lietošanas instrukcijas sākumā.
3	Numerācija attēlos atbilst veicamo darbību secībai un var atšķirties no darbību apraksta tekstā.
	Pozīciju numuri tiek lietoti attēlā Pārskats un norāda uz leģendas numuriem sadaļā Izstrādājuma pārskats .
	Šī simbola uzdevums ir pievērst īpašu uzmanību izstrādājuma lietošanas laikā.

1.3 Simboli atkarībā no izstrādājuma

1.3.1 Simboli uz izstrādājuma

Uz izstrādājuma var tikt lietoti šādi simboli:

	Izstrādājums atbalsta tehnoloģiju NFC, kas ir saderīga ar iOS un Android platformām.
	Urbšana bez triecienu funkcijas
	Urbšana ar triecienu funkciju (triecienuurbšana)
	Kalta pozicionēšana
	Kaļšana
	Rotācija pa labi / rotācija pa kreisi
n_0	Nominālais apgriezienu skaits tukšgaitā
	Līdzstrāva
Li-Ion	Litija jonu akumulators
	Nekādā gadījumā nelietojiet akumulatoru kā triecieninstrumentu.
	Sargājiet akumulatoru no kritieniem. Nelietojiet akumulatoru, ja tas ir bijis pakļauts triecienam vai tam ir radušies cita veida bojājumi.

1.4 Izstrādājuma informācija

izstrādājumi ir paredzēti profesionāliem lietotājiem, un to darbināšanu, apkopi un tehniskā stāvokļa uzturēšanu drīkst veikt tikai kvalificēts, atbilstīgi apmācīts personāls. Personālam ir jābūt ļoti informētam par iespējamajiem riskiem, kas var rasties darba laikā. Izstrādājums un tā papildaprīkojums var radīt bīstamas situācijas, ja to uztic neprofesionālam personālam vai nelieto atbilstīgi nosacījumiem. Iekārtas tipa apzīmējums un sērijas numurs ir norādīti uz identifikācijas datu plāksnītes.



- ▶ Ierakstiet sērijas numuru zemāk redzamajā tabulā. Izstrādājuma dati jānorāda, vērsoties mūsu pārstāvniecībā vai servisā.

Izstrādājuma dati

Perforators SDS-Plus	TE 6-22
Paaudze	05
Sērijas Nr.	

1.5 Atbilstības deklarācija

Ražotājs, uzņemoties pilnu atbildību, apliecinā, ka šeit aprakstītais izstrādājums atbilst spēkā esošo tiesību aktu un standartu prasībām. Atbilstības deklarācijas attēls ir atrodams šīs dokumentācijas beigās.

Tehnisko dokumentāciju glabā:

Hilti Entwicklungsgesellschaft mbH | Zulassung Geräte | Hiltistraße 6 | 86916 Kaufering, DE

2 Drošība**2.1 Vispārīgi drošības norādījumi par darbu ar elektroiekārtām**

⚠ BRĪDINĀJUMS! Iepazīstieties ar visiem drošības norādījumiem, instrukcijām, attēliem un tehniskajiem parametriem, kas attiecas uz šo elektroiekārtu. Turpmāk izklāstīto instrukciju neievērošana var izraisīt elektrošoku, ugunsgrēku un/vai nopietnas traumas.

Saglabājiet visus drošības norādījumus un instrukcijas turpmākai lietošanai.

Drošības norādījumos lietotais apzīmējums "elektroiekārta" attiecas uz iekārtām ar tīkla barošanu (ar barošanas kabeli) vai iekārtām ar barošanu no akumulatora (bez kabeļa).

Drošība darba vietā

- ▶ **Uzturiet darba vietā tīrību un kārtību un nodrošiniet labu apgaismojumu.** Nekārtīgā darba vietā vai sliktā apgaismojumā var viegli notikt nelaimes gadījums.
- ▶ **Nestrādājiet ar elektroiekārtu sprādzienbīstamā vidē, kur atrodas uzliesmojoši šķidrumi, gāzes vai putekļi.** Darbības laikā elektroiekārtas mēdz dzirkstēlot, un tas var izraisīt viegli uzliesmojošu putekļu vai tvaiku aizdegšanos.
- ▶ **Lietojot elektroiekārtu, neļaujiet nepiederošām personām un jo īpaši bērniem tuvoties darba vietai.** Citu personu klātbūtne var novērst uzmanību, un tā rezultātā jūs varat zaudēt kontroli pār iekārtu.

Elektrodrošība

- ▶ **Elektroiekārtas kontaktdakšai jāatbilst elektrotīkla kontaktligzdai. Kontaktdakšas konstrukciju nedrīkst nekādā veidā mainīt. Kopā ar elektroiekārtām, kurām ir aizsargzeme, nedrīkst lietot adapteru spraudņus.** Neizmaiņītas konstrukcijas kontaktdakša, kas atbilst kontaktligzdai, ļauj samazināt elektrošoka risku.
- ▶ **Darba laikā pieskarieties saņemtiem priekšmetiem, piemēram, caurulēm, radiatoriem, plītiem vai ledusskapjiem.** Pieskaroties saņemtiem virsmām, pieaug risks saņemt elektrisko triecienu.
- ▶ **Nelietojiet elektroiekārtu lietus laikā, neturiet to mitrumā.** Mitrumam iekļūstot elektroiekārtā, pieaug risks saņemt elektrisko triecienu.
- ▶ **Nenesiet un nepakariniet elektroiekārtu aiz barošanas kabeļa un neraujiet aiz kabeļa, ja vēlaties atvienot iekārtu no elektrotīkla kontaktligzdas. Sargājiet barošanas kabeli no karstuma, eļļas, asām šķautnēm vai kustīgām detaļām.** Bojāts vai sapīņņerējis barošanas kabelis var kļūt par cēloni elektrošokam.
- ▶ **Darbinot elektroiekārtu ārpus telpām, izmantojiet tās pievienošanai vienīgi tādas pagarinātāja-kabeļus, kas ir paredzēti lietošanai brīvā dabā.** Lietojot elektrokabeļi, kas ir piemērots darbam ārpus telpām, samazinās elektrošoka risks.
- ▶ **Ja elektroiekārtas izmantošana slapjā vidē ir obligāti nepieciešama, lietojiet bojājumstrāvas aizsargslēdzi.** Bojājumstrāvas aizsargslēdža lietošana samazina elektrošoka risku.

Personiskā drošība

- ▶ **Strādājiet ar elektroiekārtu uzmanīgi, darba laikā saglabājiet paškontroli un rīkojieties saskaņā ar veselo saprātu. Ar elektroiekārtu nedrīkst strādāt personas, kas ir nogurušas vai atrodas narkotiku, alkohola vai medikamentu ietekmē.** Mirkļis neuzmanības, strādājot ar elektroiekārtu, var novest pie nopietnām traumām.
- ▶ **Izmantojiet individuālos aizsardzības līdzekļus un darba laikā vienmēr valkājiet aizsargbrilles.** Individuālo aizsardzības līdzekļu (putekļu aizsargmaskas, neslidošu apavu un aizsargķiveres vai ausu aizsargu) lietošana atbilstoši elektroiekārtas tipam un veicamā darba raksturam ļauj izvairīties no savainojumiem.



- ▶ **Nepieļaujiet iekārtas nekontrolētas ieslēgšanās iespēju.** Pirms pievienošanas elektrotīklam, akumulatora ievietošanas, elektroiekārtas satveršanas vai pārvietošanas pārliecinieties, ka tā ir izslēgta. Ja iekārtas pārvietošanas laikā pirksts atrodas uz slēdža vai ja ieslēgta iekārta tiek pievienota elektrotīklam, var notikt nelaimes gadījums.
- ▶ **Pirms elektroiekārtas ieslēgšanas jānoņem visi regulēšanas piederumi un uzgriežņu atslēgas.** Regulēšanas piederumi vai uzgriežņu atslēga, kas iekārtas ieslēgšanas brīdī atrodas iekārtā, var radīt traumas.
- ▶ **Izvairieties no nedabiskām pozām.** Darba laikā vienmēr saglabājiet līdzsvaru un nodrošinieties pret paslīdēšanu. Tas atvieglos elektroiekārtas vadību neparedzētās situācijās.
- ▶ **Izvēlieties darbam piemērotu apģērbu.** Darba laikā nenēsājiet brīvi plandošas drēbes un rotaslietas. Netuviniet matus, apģērbu un aizsargcimdus iekārtas kustīgajām daļām. Valīgas drēbes, rotaslietas un gari mati var iekerties iekārtas kustīgajās daļās.
- ▶ **Ja elektroiekārtas konstrukcija ļauj pievienot putekļu nosūcšanas vai savākšanas ierīci, sekojiet, lai tā būtu pievienota un tiktu darbināta pareizi.** Putekļu nosūcēja lietošana samazina putekļu kaitīgo ietekmi.
- ▶ **Nezaudējiet modrību un neatkāpieties no elektroiekārtu lietošanas drošības noteikumu ievērošanas arī tad, ja lietojat attiecīgo elektroiekārtu bieži un kārtīgi to pārzināt.** Neuzmanība vienā sekundes daļā var novest pie smagām traumām.

Elektroiekārtas lietošana un apkope

- ▶ **Nepārslogojiet elektroiekārtu.** Katram darbam izvēlieties piemērotu iekārtu. Elektroiekārta darbosies labāk un drošāk pie nominālās slodzes.
- ▶ **Nelietojiet elektroiekārtu, ja ir bojāts tās slēdzis.** Elektroiekārta, ko nevar ieslēgt un izslēgt, ir bīstama un nekavējoties jānodod remontā.
- ▶ **Pirms iestatījumu veikšanas, apķīpojuma daļu nomainīšanas vai iekārtas novietošanas uzglabāšanā atvienojiet kontaktdakšu no elektrotīkla un/vai noņemiet noņemamo akumulatoru.** Šādi jūs novērsīsiet elektroiekārtas nejaušas ieslēgšanās risku.
- ▶ **Elektroiekārtu, kas netiek darbināta, uzglabājiet piemērotā vietā.** Neļaujiet lietot iekārtu personām, kas nav iepazīnušas ar tās funkcijām un izlasījušas šo lietošanas instrukciju. Ja elektroiekārtu lieto nekompetentas personas, tas var apdraudēt cilvēku veselību.
- ▶ **Rūpīgi veiciet elektroiekārtu un to piederumu apkopi.** Pārbaudiet, vai kustīgās daļas darbojas bez traucējumiem un neķeras un vai kāda no daļām nav salauzta vai bojāta un tādējādi netraucē elektroiekārtas nevainojamu darbību. Raugieties, lai pirms iekārtas lietošanas tiktu nomainītas vai saremontētas bojātās daļas. Daudzi nelaimes gadījumi notiek tāpēc, ka elektroiekārtām nav nodrošināta pareiza apkope.
- ▶ **Griezējinstrumentiem vienmēr jābūt uzasinātiem un tīriem.** Rūpīgi kopti griezējinstrumenti ar asām šķautnēm retāk iestrēgst un ir vieglāk vadāmi.
- ▶ **Lietojiet elektroiekārtu, piederumus, maināmos instrumentus utt. saskaņā ar šiem norādījumiem.** Jāņem vērā arī konkrētie darba apstākļi un veicamās operācijas īpatnības. Elektroiekārtu lietošana citiem mērķiem, nekā to ir paredzējusi ražotājfirma, ir bīstama un var izraisīt neparedzamas sekas.
- ▶ **Raugieties, lai rokturu un satveršanas virsmas būtu sausas, tīras, nenotraipītas ar eļļu un smērvielām.** Ja rokturu vai satveršanas virsmas ir slidenas, nav iespējama droša elektroiekārtas vadība un kontrole neparedzamās situācijās.

Ar akumulatoru darbināmas iekārtas lietošana un apkope

- ▶ **Akumulatora uzlādei jālieto tikai ražotāja ieteiktie lādētāji.** Noteikta veida akumulatoriem paredzēts lādētājs kļūst ugunsbīstams, ja to izmanto ar cita veida akumulatoriem.
- ▶ **Izmantojiet elektroiekārtas barošanai tikai tai paredzētos akumulatorus.** Cita tipa akumulatoru lietošana var izraisīt iekārtas un/vai akumulatora aizdegšanos.
- ▶ **Laikā, kad akumulators ir atvienots no iekārtas, nepieļaujiet tā kontaktu saskaršanos ar saspraudēm, monētām, atslēgām, naglām, skrūvēm vai citiem nelieliem metāla priekšmetiem, kas varētu izraisīt īssavienojumu.** Ja starp akumulatora kontaktiem rodas īssavienojums, tas var sadegt vai kļūt par ugunsgrēka cēloni.
- ▶ **Nepareizi lietojot akumulatoru, no tā var izplūst šķidrums.** Nepieļaujiet tā nokļūšanu uz ādas. Ja tas tomēr nejausi ir noticis, noskalojiet ar ūdeni. Ja šķidrums iekļūst acīs, izskalojiet acis un nekavējoties vērsieties pie ārsta. No akumulatora izplūdušais šķidrums var izraisīt ādas kairinājumu vai apdegumus.
- ▶ **Nelietojiet bojātus vai modificētus akumulatorus.** Bojāti vai modificēti akumulatori var radīt neparedzamas situācijas un izraisīt ugunsgrēku, eksploziju vai traumas.
- ▶ **Nepakļaujiet akumulatoru uguns vai augstas temperatūras iedarbībai.** Uguns vai temperatūra virs 130 °C (265 °F) var izraisīt eksploziju.



- ▶ **Ievērojiet norādījumus par akumulatora lādēšanu un nekad nelādējiet akumulatoru vai ar akumulatoru darbināmo iekārtu ārpus lietošanas instrukcijā norādītā temperatūras diapazona.** Nepareiza lādēšana vai pieļaujamā temperatūras diapazona pārsniegšana var sabojāt akumulatoru un palielināt aizdegšanās risku.

Serviss

- ▶ **Uzdodiet elektroiekārtas remontu veikt tikai kvalificētam personālam, kas izmanto vienīgi oriģinālās rezerves daļas.** Tikai tā ir iespējams saglabāt iekārtas funkcionālo drošību.
- ▶ **Nekādā gadījumā neveiciet bojātu akumulatoru apkopi.** Jebkādas akumulatoru apkopes darbus drīkst veikt tikai ražotājs vai atbilstīgi pilnvarots klientu apkalpošanas dienests.

2.2 Drošības noteikumi darbam ar perforatoriem

- ▶ **Lietojiet dzirdes aizsargaprīkojumu.** Trokšņa iedarbība var radīt dzirdes zudumu.
- ▶ **Lietojiet kopā ar iekārtu piegādātos papildu rokturus.** Kontroles zudums var kļūt par cēloni traumām.
- ▶ **Ja darba laikā pastāv iespēja, ka instruments var nonākt saskarē ar apslēptiem elektriskajiem vadiem, vienmēr satveriet iekārtu aiz izolētajām rokturu virsmām.** Saskaroties ar spriegumam pieslēgtiem vadiem, spriegums tiek novadīts uz iekārtas metāla daļām, radot elektrošoka risku.

2.3 Papildnorādījumi par drošību

Personīgā drošība

- ▶ Lietojiet izstrādājumu un tā papildaprīkojumu tikai tad, ja tas ir nevainojamā stāvoklī.
- ▶ Nekādā gadījumā nemēģiniet ietekmēt izstrādājuma vai tā papildaprīkojuma funkcijas vai to pārveidot.
- ▶ Darba instrumentu nomainītu veiciet ar aizsargcimdīm, jo instruments un tā stiprinājums lietošanas laikā sakarst.
- ▶ Izstrādājuma iekārtas lietošanas specifika dēļ tam ir liels griezes moments. Vienmēr stingri turiet iekārtu ar abām rokām aiz šīm nolūkam paredzētajiem rokturiem. Lietotājam jābūt gatavam situācijai, ka instruments pēkšņi nobloķēšies.
- ▶ Pārlecinieties, vai sānu rokturis ir piemontēts pareizi un kārtīgi nostiprināts. Sānu rokturi vienmēr satveriet no ārpuses.
- ▶ Apstrādājot materiālu, var atdalīties tā šķembas. Materiāla šķembas var savainot ķermeni un acis. Izstrādājuma lietošanas laikā valkājiet acu aizsarglīdzekļus, aizsargķiveri un dzirdes aizsarglīdzekļus. Ja netiek lietots putekļu nosūcējs, papildus valkājiet arī vieglu elpceļu aizsarglīdzekli.
- ▶ Pirms laušanas vai urbšanas darbiem, kas šķērso būvkonstrukciju daļas, atbilstoši jānodrošina attiecīgās daļas pretējā puse. Atlūzusi materiāla fragmenti var izkrist caur atveri un/vai nokrist un savainot cilvēkus.
- ▶ Veicot kalšanu griestos, sienās un grīdās, ieņemiet drošu un stabilu pozu. Pēkšņa konstrukcijas caurkalšana var izraisīt līdzsvara zudumu.
- ▶ Izvairieties no saskares ar rotējošām daļām. Traumu risks!
- ▶ Vienmēr raugieties, lai nebūtu nosprostotas ventilācijas atveres. Ventilācijas atveru nosprostošanās var izraisīt apdegumus!
- ▶ Ieslēdziet izstrādājumu tikai tad, kad tas ir novietots darba pozīcijā.
- ▶ Nestrādājiet vidē, kurā ir liels putekļu piesārņojums.
- ▶ Putekļi, kas rodas slīpēšanas, griešanas un urbšanas laikā, var saturēt bīstamas ķīmikālijas. Daži piemēri: svins vai krāsas uz svina bāzes; ķieģeļi, betons un citi mūra materiāli, dabīgais akmens un citi silīkātus saturoši produkti; noteiktu veidu koksne, piemēram, skābardis, ozols un ķīmiska apstrādāta koksne; azbests vai azbestu saturoši materiāli. Nosakiet ekspozīcijas līmeni, kam pakļauts iekārtas lietotājs un tuvumā esošās personas, vadoties pēc apstrādājamo materiālu bīstamības kategorijas. Veiciet nepieciešamos pasākumus, lai ekspozīcija nesasniegtu kaitīgu līmeni, piemēram, lietojiet putekļu nosūkšanas sistēmu vai piemērotus elpceļu aizsardzības līdzekļus. Vispārīgie ekspozīcijas ierobežošanas pasākumi ir šādi:
 - ▶ darbs labi vēdināmās vietās,
 - ▶ izvairīšanās no ilgstošas saskares ar putekļiem,
 - ▶ putekļu novirzīšana projām no sejas un ķermeņa,
 - ▶ aizsargapģērba valkāšana un savārtītā apģērba mazgāšana ar ūdeni un ziepēm.
- ▶ Biežāk pārtrauciet darbu un izpildiet pirkstu vingrinājumus, kas uzlabo asinsriti. Ilgstoša darba gadījumā spēcīga vibrācija var radīt traucējumus pirkstu, roku vai plaukstu locītavu asinsvadu un nervu sistēmas funkcijās.
- ▶ Neskatieties tieši apgaismojumā (LED) un nevērsiet to pret citu cilvēku seju. Pastāv apžilbināšanas risks.
- ▶ Nepieļaujiet mitruma iekļūšanu. Mitrums var izraisīt īssavienojumu, kas savukārt rada ugunsgrēka un apdegumu risku.



- ▶ Traumu risks, ko rada krītoši instrumenti un/vai piederumi. Pirms darba sākšanas pārbaudiet, vai akumulators un uzmontētais papildaprīkojums ir kārtīgi nofiksēti.
- ▶ Nenostipriniet pie šī izstrādājuma jostas āķi.

Elektrodrošība

- ▶ Pirms darba sākšanas pārbaudiet, vai darba zonā neatrodas neseģti elektrības vadi, gāzes vai ūdensapgādes caurules. Iekārtas ārējās metāla daļas var izraisīt elektriskās strāvas triecieni vai izraisīt eksploziju, ja darba laikā tiek bojāti elektriskie vadi, gāzes vai ūdens caurules.

Rūpīga elektroiekārtu lietošana un apkope

- ▶ Nekavējoties izslēdziet izstrādājumu, ja nobloķējas instruments. Izstrādājums var tikt novirzīts uz sāniem.
- ▶ Nekad nenolieciet elektroiekārtu, kamēr nav pilnībā apstājusies tās kustība.

2.4 Akumulatoru pareiza lietošana un apkope

- ▶ **Ievērojiet turpmāk izklāstītos drošības norādījumus, lai litija jonu akumulatoru lietošana neradītu apdraudējumu.** Norādījumu neievērošana var izraisīt ādas kairinājumu, smagas korozīvas traumas, ķīmiskos apdegumus, ugunsgrēku vai eksploziju.
- ▶ Lietojiet akumulatorus tikai tad, ja tie ir nevainojamā tehniskajā stāvoklī.
- ▶ Rīkojieties ar akumulatoriem uzmanīgi, lai pasargātu tos no bojājumiem un nepieļautu veselībai ļoti kaitīgu šķidrumu izplūdi!
- ▶ Nekādā gadījumā nedrīkst veikt akumulatoru pārveidi vai citas neatļautas manipulācijas!
- ▶ Akumulatorus nedrīkst izjaukt, saspiest, sakarsēt virs 80 °C (176 °F) vai sadedzināt.
- ▶ Nelietojiet un nemēģiniet uzlādēt akumulatorus, kas bijuši pakļauti triecieniem vai ir bojāti citā veidā. Regulāri pārbaudiet, vai akumulatoriem nav konstatējamas bojājumu pazīmes.
- ▶ Nekādā gadījumā nelietojiet atjaunotus vai remontētus akumulatorus.
- ▶ Nekādā gadījumā nelietojiet akumulatoru vai ar akumulatoru darbināmu elektroiekārtu kā instrumentu sišanai.
- ▶ Nekādā gadījumā nepakļaujiet akumulatorus tiešiem saules stariem, augstai temperatūrai, dzirkstelēm vai atklātai liesmai. Tas var izraisīt eksploziju.
- ▶ Nepieskarieties bateriju poliem ar pirkstiem vai instrumentiem un nepieļaujiet, ka tie nonāk saskarē ar rotaslietām vai citiem priekšmetiem, kam piemīt elektriskā vadītspēja. Tas var izraisīt akumulatoru bojājumus, kā arī materiālu kaitējumu un traumas.
- ▶ Sargājiet akumulatorus no lietus un mitruma un šķidrumiem. Mitruma iekļūšana var izraisīt īssavienojumu, elektrisko triecienu, apdegumus, ugunsgrēku un eksploziju.
- ▶ Lietojiet kopā ar akumulatoru tikai tā tipam paredzētos lādētājus un elektroiekārtas. Ievērojiet attiecīgo lietošanas instrukciju norādījumus.
- ▶ Nelietojiet un neuzglabājiet akumulatoru sprādzienbīstamā vidē..
- ▶ Ja akumulators kļūst pārāk karsts, iespējams, ka tas ir bojāts. Novietojiet akumulatoru labi pārredzamā, ugunsdrošā vietā, pietiekamā atstatumā no degošiem materiāliem. Ļaujiet akumulatoram atdzist. Ja pēc stundas akumulators joprojām ir tik karsts, ka to ir grūti satvert, tas nozīmē, ka tas ir bojāts. Vērsieties servisā **Hilti** vai izlasiet dokumentu "Norādījumi par **Hilti** litija jonu akumulatoru drošību un lietošanu".

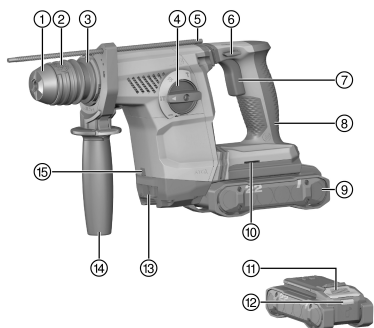


Ievērojiet īpašos norādījumus, kas attiecas uz litija jonu akumulatoru transportēšanu, uzglabāšanu un lietošanu. → Lappuse 173

Izlasiet Norādījumus par **Hilti** litija jonu akumulatoru drošību un lietošanu, kas ir pieejami, noskenējot QR kodu šīs lietošanas instrukcijas beigās.



3.1 Izstrādājuma pārskats 1



- ① Putekļu aizsargs
- ② Instrumenta bloķētājs / instrumenta stiprinājums
- ③ Putekļu savākšanas moduļa pieslēgums
- ④ Funkciju pārslēdzējs
- ⑤ Dziļuma atdure
- ⑥ Labā / kreisā rotācijas virziena pārslēdzējs ar transporta drošinātāju
- ⑦ Vadības slēdzis
- ⑧ Rokturis
- ⑨ Akumulators
- ⑩ Atvere papildaprīkojuma montāžai
- ⑪ Akumulatora atbloķēšanas taustiņš
- ⑫ Akumulatora statusa indikācija
- ⑬ Putekļu nosūcēja moduļa pieslēgums TE DRS-46 (01)
- ⑭ Sānu rokturis
- ⑮ Darba zonas apgaismojums (LED)

3.2 Nosacījumiem atbilstīga lietošana

Aprakstītais izstrādājums ir perforators SDS-Plus ar akumulatora barošanu. Tas ir paredzēts urbšanai tēraudā un kokā, triecienurbšanai betonā un mūrī, kā arī skrūvju ieskrūvēšanai un izskrūvēšanai. Bez tam šo izstrādājumu var lietot arī viegliem kalšanas darbiem ķieģeļu mūrī un betona virsmu apstrādei.

- Lietojiet kopā ar šo izstrādājumu tikai sērijas B 22 **Hilti** litija jonu akumulatorus Nuron. Lai nodrošinātu optimālu darbības efektivitāti, **Hilti** iesaka kopā ar šo izstrādājumu lietot šīs lietošanas instrukcijas beigās iekļautajā tabulā norādītos akumulatorus.
- Lietojiet šo akumulatoru uzlādēšanai tikai šīs lietošanas instrukcijas beigās iekļautajā tabulā norādīto sēriju **Hilti** lādētājus.

3.3 Piegādes komplektācija

Perforators SDS-Plus, sānu rokturis, dziļuma atdure, smērviela, lietošanas instrukcija.

Putekļu nosūcēšanas modulis TE DRS-46 (01) tiek piedāvāts kā papildaprīkojums, lai mazinātu putekļu izplatīšanos darba laikā.

Citus šim izstrādājumam izmantojamus sistēmas produktus meklējiet **Hilti Store** vai tīmekļvietnē: www.hilti.group

3.4 Litija jonu akumulatora indikācija

Hilti litija jonu akumulatoru Nuron indikācija var informēt par akumulatora uzlādes līmeni, kļūmēm un stāvokli.

3.4.1 Uzlādes līmeņa indikācija un kļūmes paziņojumi

⚠ BRĪDINĀJUMS!

Traumu risks akumulatora nokrišanas gadījumā!

- Ja akumulators ir ievietots un tiek nospiests atbloķēšanas taustiņš, nodrošiniet, lai akumulators atkal tiktu kārtīgi nofiksēts izstrādājumā.

Lai redzētu kādu no turpmāk aprakstītajām indikācijas veidiem, īsi nospiediet akumulatora atbloķēšanas taustiņu.

Uzlādes līmeņa un varbūtējo traucējumu indikācija ir redzama arī pastāvīgi, kamēr izstrādājums ir ieslēgts.

Statuss	Nozīme
Četras (4) LED konstanti deg zaļā krāsā	Uzlādes līmenis: no 100 % līdz 71 %
Trīs (3) LED konstanti deg zaļā krāsā	Uzlādes līmenis: no 70 % līdz 51 %



Statuss	Nozīme
Divas (2) LED konstanti deg zaļā krāsā	Uzlādes līmenis: no 50 % līdz 26 %
(1) LED konstanti deg zaļā krāsā	Uzlādes līmenis: no 25 % līdz 10 %
Viena (1) LED lēni mirgo zaļā krāsā	Uzlādes līmenis: < 10 %
(1) LED ātri mirgo zaļā krāsā	Litija jonu akumulators ir pilnībā izlādējies. Uzlādējiet akumulatoru. Ja LED pēc akumulatora uzlādes joprojām ātri mirgo, vērsieties Hilti servisā.
(1) LED ātri mirgo dzeltenā krāsā	Litija jonu akumulators vai tam pievienotais izstrādājums ir pārslēgots, pārāk karsts vai pārāk auksts vai ir radusies cita kļūme. Nodrošiniet, lai izstrādājums vai akumulators būtu ieteicamajā darba temperatūrā, un lietojiet izstrādājumu tā, lai tas netiktu pārslēgots. Ja indikācija nepazūd, vērsieties Hilti servisā.
Viena (1) LED konstanti deg dzeltenā krāsā	Litija jonu akumulators un ar to savienotais izstrādājums nav savā starpā saderīgi. Lūdzu, vērsieties Hilti servisā.
(1) LED ātri mirgo sarkanā krāsā	Litija jonu akumulators ir bloķēts un nav lietojams. Lūdzu, vērsieties Hilti servisā.

3.4.2 Akumulatora stāvokļa indikācijas

Lai apskatītu akumulatora stāvokļa indikāciju, turiet atbloķēšanas taustiņu nospiestu ilgāk nekā trīs sekundes. Sistēma konstatē, ka potenciālu baterijas kļūmi, ko var izraisīt neatbilstīga apiešanās, piemēram, kritiens, saduršana, ārēja karstuma iedarbība utt.

Statuss	Nozīme
Visas LED deg kā skrejošā gaisma, pēc tam viena (1) LED konstanti deg zaļā krāsā.	Akumulatoru var turpināt lietot.
Visas LED deg kā skrejošā gaisma, pēc tam viena (1) LED konstanti deg dzeltenā krāsā.	Akumulatora stāvokļa informācijas nolasīšanu neizdevās pabeigt. Atkārtojiet procesu vai vērsieties Hilti servisā.
Visas LED deg kā skrejošā gaisma, pēc tam viena (1) LED konstanti deg sarkanā krāsā.	Ja pievienoto izstrādājumu var turpināt lietot, atlikusi akumulatora kapacitāte ir mazāka nekā 50 %. Ja pievienoto izstrādājumu vairs nevar lietot, akumulators ir savu laiku nokalpojis un jānomaina pret citu. Lūdzu, vērsieties Hilti servisā.

4 Tehniskie parametri

Svars atbilstīgi EPTA Procedure 01 bez akumulatora	2,84 kg
Atsevišķa trieciena enerģija atbilstīgi EPTA procedūrai 05	2,6 J
Urbšanas diapazons betonā / mūrī (urbšana ar triecienu funkciju)	4 mm ... 28 mm
Apkārtējā temperatūra darbības laikā	-17 °C ... 60 °C
Uzglabāšanas temperatūra	-20 °C ... 70 °C

4.1 Akumulators

Akumulatora darba spriegums	21,6 V
Akumulatora svars	Skat. šīs lietošanas instrukcijas beigās
Apkārtējā temperatūra darbības laikā	-17 °C ... 60 °C
Uzglabāšanas temperatūra	-20 °C ... 40 °C
Akumulatora temperatūra uzlādes sākumā	-10 °C ... 45 °C



4.2 Informācija par troksni un vibrāciju saskaņā ar EN 60745

Šajās instrukcijās norādītie lielumi, kas raksturo skaņas spiedienu un vibrāciju, ir noteikti ar standartizētas mērījumu metodes palīdzību, un tos var izmantot elektroiekārtu savstarpējai salīdzināšanai. Tos var izmantot arī trokšņa un vibrācijas iedarbības pagaidu novērtējumam. Norādītie parametri attiecas uz elektroiekārtas galvenajiem lietošanas veidiem. Taču, ja elektroiekārta tiek izmantota citos nolūkos, ar citiem maināmajiem instrumentiem vai netiek nodrošināta pietiekama tās apkope, parametri var atšķirties no norādītajiem. Tas var ievērojami palielināt trokšņa un vibrācijas iedarbību visā darba laikā. Lai precīzi novērtētu iedarbību, jāņem vērā arī laiks, cik ilgi iekārta ir izslēgta vai ir ieslēgta, taču faktiski netiek darbināta. Tas var būtiski samazināt iedarbību kopējā darba laikā. Jāparedz papildu drošības pasākumi, lai aizsargātu iekārtas lietotāju pret trokšņa un/vai vibrācijas iedarbību, piemēram, elektroiekārtas un maināmo instrumentu apkope, roku turēšana siltumā, darba procesu organizācija.

Skaņas emisijas rādītāji

Skaņas spiediena līmenis (L_{pA})	91 dB(A)
Skaņas spiediena līmeņa pielāide (K_{pA})	3 dB(A)
Skaņas jaudas līmenis (L_{WA})	102 dB(A)
Skaņas jaudas līmeņa pielāide (K_{WA})	3 dB(A)

Kopējie vibrācijas rādītāji

		TE 6-22	TE 6-22 + TE DRS-46 (01)
Triecienurbšana betonā ($a_{h, HD}$)	B 22-85	10,7 m/s ²	10,6 m/s ²
	B 22-170	10,4 m/s ²	11,3 m/s ²
Kalšana	B 22-85	6,3 m/s ²	5,5 m/s ²
	B 22-170	6,3 m/s ²	6,0 m/s ²
Iespējamā kļūda (K)		1,5 m/s ²	1,5 m/s ²

5 Sagatavošanās darbam

BRĪDINĀJUMS!

Traumu risks nejaušas iedarbošanās gadījumā!

- ▶ Pirms akumulatora ievietošanas pārliecinieties, ka attiecīgais izstrādājums ir izslēgts.
- ▶ Pirms iekārtas iestatīšanas vai piederumu maiņas izņemiet no iekārtas akumulatoru.

Ievērojiet drošības norādījumus un brīdinājumus, kas atrodami šajā dokumentācijā un uz izstrādājuma.

5.1 Akumulatora uzlādēšana

1. Pirms uzlādes sākšanas izlasiet lādētāja lietošanas instrukciju.
2. Raugieties, lai akumulatora un lādētāja kontaktu virsmas ir tīras un sausas.
3. Veiciet akumulatora uzlādi atbilstīgā lādētājā. → Lappuse 168

5.2 Akumulatora ievietošana

BRĪDINĀJUMS!

Traumu risks īssavienojuma vai akumulatora nokrišanas gadījumā!

- ▶ Pirms akumulatora ievietošanas pārliecinieties, ka uz akumulatora un izstrādājuma kontaktiem neatrodas nekādi svešķermeņi.
- ▶ Pārbaudiet, vai akumulators ir droši nofiksēts.

1. Pirms pirmās lietošanas pilnībā uzlādējiet akumulatoru.
2. Iebīdiēt akumulatoru izstrādājumā, līdz tas dzirdami nofiksējas.
3. Pārbaudiet, vai akumulators ir droši nofiksēts.

5.3 Akumulatora izņemšana

1. Nospiediet akumulatora atbloķēšanas taustiņu.
2. Izvelciet akumulatoru no iekārtas.



5.4 Sānu roktura montāža 2

1. Pagrieziet rokturi, lai atbrīvotu sānu roktura turētāju (fiksācijas lenti).
2. No priekšpuses uzbīdīet turētāju (fiksācijas lenti) pāri instrumenta patronai līdz tam paredzētajai rievai.
3. Novietojiet sānu rokturi nepieciešamajā pozīcijā.
4. Pagrieziet rokturi, lai nospriegotu sānu roktura turētāju (fiksācijas lenti).

5.5 Maināmā instrumenta ievietošana 3



Viegli ieziediet maināma instrumenta gaļu ar smērvielu.

Lietojiet tikai oriģinālās Hilti smērvielas. Neatbilstīgas smērvielas var izraisīt izstrādājuma bojājumus.

1. Ievietojiet maināmo instrumentu instrumenta patronā un, viegli piespiežot, pagrieziet to, līdz tas dzirdami nofiksējas.
2. Pēc instrumenta ievietošanas pavelciet to, lai pārbaudītu, vai tas ir droši nofiksēts.
 - ▶ Izstrādājums ir gatavs lietošanai.

5.6 Maināmā instrumenta izņemšana 4



IEVĒROT PIESARDZĪBU!

Traumu risks, ko rada darba instruments! Maināmais instruments var būt karsts vai ar asām malām.

▶ Darba instrumenta nomaīņas laikā valkājiet aizsargcimdus.

1. Līdz galam pavelciet atpakaļ instrumenta fiksācijas mehānismu.
2. Izņemiet maināmo instrumentu.

5.7 Dziļuma atdures montāža un iestatīšana 5

1. Nospiediet un turiet nospiestu atbloķēšanas taustiņu pie sānu roktura.
2. No priekšpuses iebīdīet dziļuma atduri tai paredzētajā atverē pie sānu roktura. Noregulējiet dziļuma atduri atbilstoši vēlamajam urbama dziļumam.
3. Atlaidiet bloķēšanas taustiņu.
 - ▶ Dziļuma atdure ir nobloķēta.

5.8 Nodrošinājums pret kritienu



BRĪDINĀJUMS!

Traumu risks instrumenta un/vai papildaprīkojuma nokrišanas gadījumā!

- ▶ Lietojiet tikai jūsu izstrādājumam ieteikto **Hilti** instrumentu drošības virvi.
- ▶ Pirms katras lietošanas pārbaudiet, vai nav bojāts instrumentu drošības virves stiprinājuma punkts.



Ievērojiet jūsu valstī spēkā esošos noteikumus par darbu augstumā.

Aizsardzībai pret kritieniem lietojiet kopā ar šo izstrādājumu tikai **Hilti** pretnokrišanas aprīkojumu apvienojumā ar **Hilti** instrumentu drošības virvi #2261970.

- ▶ Nostipriniet pretnokrišanas aprīkojumu papildaprīkojumam paredzētajās montāžas atverēs. Pārbaudiet, vai fiksācija ir droša.
- ▶ Nostipriniet vienu instrumentu drošības virves karabīnes āķi pie pretnokrišanas aprīkojuma un otru karabīnes āķi – pie nesošas konstrukcijas. Pārbaudiet, vai abi karabīnes āķi ir nofiksēti droši.



Ievērojiet **Hilti** pretnokrišanas aprīkojuma un **Hilti** instrumentu drošības virves lietošanas instrukcijas.

6 Lietošana

Ievērojiet drošības norādījumus un brīdinājumus, kas atrodami šajā dokumentācijā un uz izstrādājuma.



6.1 Ieslēgšana un izslēgšana

1. Lai ieslēgtu izstrādājumu, nospiediet vadības slēdzi.
 - ▶ Atkarībā no vadības slēdža iespēšanas dziļuma apgriezienu skaitu var regulēt bez fiksētām pakāpēm.
2. Lai izslēgtu izstrādājumu, atlaidiet vadības slēdzi.

6.2 Rotācijas virziens

- ▶ Iestatiet rotācijas virzienu.
 - ▶ Slēdzis nofiksējas šādā pozīcijā.


6.3 Funkciju pārslēdzējs

Iestatiet funkciju pārslēdzēju uz nepieciešamo funkciju.




Bojājumu risks! Funkciju pārslēdzēju nedrīkst pārslēgt iekārtas darbības laikā.


Urbšana bez triecienu funkcijas

- Iestatiet funkciju pārslēdzēju pozīcijā .


Urbšana ar triecienu funkciju

- Iestatiet funkciju pārslēdzēju pozīcijā .

Kalta pozicionēšana

- Iestatiet funkciju pārslēdzēju pozīcijā .

Kalšana

- Iestatiet funkciju pārslēdzēju pozīcijā .

7 Papildaprīkojums (opcija)

7.1 Putekļu nosūcēja modulis TE DRS-46 (01)

Putekļu nosūcēja modulis TE DRS-46 (01) tiek lietots kā perforatora SDS-Plus papildaprīkojums. Tas savāc lielu daļu no putekļiem, kas rodas darba laikā, un ir ātri un vienkārši piestiprināms pie perforatora SDS-Plus. Putekļu nosūcēja moduļi ir integrēti nosūkšanas ventilators. Tā piedziņu nodrošina atsevišķs motors. Kad tiek ieslēgts perforators SDS-Plus, moduļim tiek pievadīta strāva no perforatora SDS-Plus akumulatora. Putekļu nosūcēja modulis nav paredzēts darbam ar metālu un koku.

Nosacījumi: TE DRS-46 (01) OSHA

TE DRS-46 (01) OSHA atbilst direktīvai OSHA 1926.1153 Table 1. Tas ir aprīkots ar filtra attīrīšanas mehānismu.

7.2 Putekļu moduļa montāža darbiem virs galvas

1. Ievietojiet maināmo instrumentu. → Lappuse 171
2. Uzbīdīet putekļu savākšanas moduli pāri instrumenta patronai un ievietojiet to perforatora SDS-Plus korpusa rievās.
3. Pagrieziet putekļu savākšanas moduli pretēji pulksteņrādītāja kustības virzienam, lai to nofiksētu.

8 Apkope un uzturēšana



BRĪDINĀJUMS!

Traumu risks ievietota akumulatora gadījumā!

- ▶ Pirms jebkādiem apkopes un tehniskā stāvokļa uzturēšanas darbiem vienmēr izņemiet akumulatoru!

Izstrādājuma kopšana

- Uzmanīgi notīriet pielipušos netīrumus.
- Ja izstrādājumam ir ventilācijas atveres, uzmanīgi iztīriet tās ar sausu, mīkstu birstīti.
- Notīriet korpusa virsmas tikai ar nedaudz samitrinātu drāniņu. Nelietojiet silikonu saturošus kopšanas līdzekļus, jo tie var sabojāt plastmasas daļas.



- Izstrādājuma kontaktu tīrīšanai lietojiet tīru un sausu drāniņu.

Litija jonu akumulatoru apkope

- Nekādā gadījumā nelietojiet akumulatoru ar nosprostotām ventilācijas atverēm. Uzmaniģi iztīriet ventilācijas atveres ar sausu, mikstu birstīti.
- Nepakļaujiet akumulatoru nevajadzīgai putekļu vai netīrumu ietekmei. Nekādā gadījumā nepakļaujiet akumulatoru spēcīgam mitrumam (piemēram, nemērciet to ūdenī un neatstājiet lietū).
Ja akumulators ir samircis, rīkojieties ar to tāpat, kā jūs rīkotos ar bojātu akumulatoru. Ievietojiet to izolētā nedegoša materiāla tvertnē un vērsieties **Hilti** servisā.
- Raugieties, lai akumulators nebūtu savārtīts ar nepiederīgu eļļu un smērvielām. Raugieties, lai uz akumulatora nevajadzīgi neuzkrātos putekļi un netīrumi. Notīriet akumulatoru ar sausu, mikstu birstīti vai tīru un sausu drāniņu. Nelietojiet silikonu saturošus kopšanas līdzekļus, jo tie var sabojāt plastmasas daļas.
Nepieskarieties akumulatora kontaktiem un neattīriet kontaktus no rūpnīcā uzklātās smērvielas.
- Notīriet korpusa virsmas tikai ar nedaudz samitrinātu drāniņu. Nelietojiet silikonu saturošus kopšanas līdzekļus, jo tie var sabojāt plastmasas daļas.

Uzturēšana

- Regulāri pārbaudiet visas redzamās daļas, lai pārliecinātos, ka tās nav bojātas un funkcionē nevainojami.
- Nelietojiet izstrādājumu, ja tam ir radušies bojājumi un/vai funkciju traucējumi. Nekavējoties nododiet izstrādājumu **Hilti** servisā remonta veikšanai.
- Pēc apkopes un remonta darbiem piemontējiet vietā visas aizsargierīces un pārbaudiet, vai tās darbojas nevainojami.



Lai iekārtas lietošana būtu droša, izmantojiet tikai oriģinālās rezerves daļas un patēriņa materiālus. Rezerves daļas, patēriņa materiālus un piederumus, kuru lietošanu kopā ar šo izstrādājumu akceptē **Hilti**, var atrast **Hilti Store** vai tīmekļvietnē: www.hilti.group

8.1 Putekļu aizsarga tīrīšana

- ▶ Putekļu aizsargs, kas atrodas pie instrumenta patronas, jānotīra ar tīru un sausu drāniņu.
- ▶ Blīvējuma apmale uzmanīgi jānotīra ar viegli jāieziezē ar **Hilti** smērvielu.
- ▶ Ja blīvējuma apmale ir bojāta, putekļu aizsargs obligāti jānomaina.

9 Iekārtu un akumulatoru transportēšana un uzglabāšana

Transportēšana



Nekontrolēta iedarbošanās transportēšanas laikā !

- ▶ Pirms iekārtu transportēšanas vienmēr izņemiet no tām akumulatorus!
- ▶ Izņemiet akumulatoru / akumulatorus.
- ▶ Nekādā gadījumā netransportējiet akumulatorus nenostiprinātā veidā, sabērtus kaudzē. Transportēšanas laikā akumulatori jāsaugā no triecieniem un vibrācijas, kā arī jāizolē no jebkādiem materiāliem, kam piemīt elektriskā vadītspēja, un citiem akumulatoriem, lai nepieļautu to nonākšanu saskarē ar citu bateriju kontaktiem un īssavienojuma rašanos. **Ievērojiet vietējos noteikumus par akumulatoru transportēšanu.**
- ▶ Akumulatorus nedrīkst sūtīt pa pastu. Ja vēlaties nosūtīt nebojātus akumulatorus, vērsieties sūtījumu piegādes uzņēmumā.
- ▶ Pirms katras lietošanas, kā arī pēc ilgākas transportēšanas pārbaudiet, vai izstrādājums un akumulatori nav bojāti.

Uzglabāšana



Neparedzami bojājumi bojātu vai izplūdušu akumulatoru dēļ !

- ▶ Pirms iekārtu novietošanas glabāšanā vienmēr izņemiet no tām akumulatorus!
- ▶ Glabājiet izstrādājumu un akumulatorus vēsā un sausā vietā. Ievērojiet temperatūras robežvērtības, kas norādītas tehnisko parametru sadaļā.
- ▶ Neglabājiet akumulatorus uz lādētāja. Pēc uzlādes procesa vienmēr noņemiet akumulatoru no lādētāja.
- ▶ Nekad neglabājiet akumulatorus saulē, uz siltuma avotiem vai aiz stikla.



- Glabājiet izstrādājumu un akumulatorus tā, lai tiem nevarētu piekļūt bērni un nepiederošas personas.
- Pirms katras lietošanas, kā arī pēc ilgākas uzglabāšanas pārbaudiet, vai izstrādājums un akumulatori nav bojāti.

10 Traucējumu novēršana

Jebkādu traucējumu gadījumā pievērsiet uzmanību akumulatora uzlādes līmeņa un traucējumu indikācijai. Skat. nodaļu **Litija jonu akumulatora indikācija**.

Ja iekārtas darbībā radušies traucējumi, kas nav uzskaitīti šajā tabulā vai ko jums neizdodas novērst saviem spēkiem, lūdzu, meklējiet palīdzību mūsu **Hilti** servisā.

Traucējums	Iespējamais iemesls	Risinājums
Vadības slēdzi nav iespējams nospiegt, respektīvi, tas ir nobloķēts.	Labā / kreisā rotācijas virziena slēdzis vidējā pozīcijā.	► Pārvietojiet labā / kreisā rotācijas virziena pārslēdzēju pa labi vai pa kreisi.
Iekārtas vārpsta negriežas.	Akumulators nav pilnībā iebidīts.	► Nofiksējiet akumulatoru ar sadzirdamu klikšķi.
	Labā / kreisā rotācijas virziena slēdzis vidējā pozīcijā.	► Pārvietojiet labā / kreisā rotācijas virziena pārslēdzēju pa labi vai pa kreisi.
	Funkciju pārslēdzējs nav nofiksējis vai atrodas pozīcijā "Kalšana" T vai pozīcijā "Kalta pozicionēšana" \rightarrow .	► Kad darbība ir apstādināta, iestatiet funkciju pārslēdzēju pozīcijā "Urbšana bez triecieniem" \rightarrow vai "Triecienurbšana" IT .
Nav triecienu funkcijas.	Izstrādājums ir pārāk auksts.	► Novietojiet izstrādājumu uz virsmas un padarbiniet to tukšgaitā. Ja nepieciešams atkārtojiet šo procesu, līdz triecienmehānisms iedarbojas.
	Funkciju pārslēdzējs pozīcijā "Urbšana bez triecienu funkcijas" \rightarrow .	► Novietojiet funkciju pārslēdzēju pozīcijā "Triecienurbšana" IT .
Akumulators izlādējas ātrāk nekā parasti.	Akumulatora stāvoklis nav optimāls.	► Aktivējiet akumulatora statusa nolasīšanu. \rightarrow Lappuse 168
Akumulators nenofiksējas ar sadzirdamu klikšķi.	Netīrs akumulatora fiksācijas izcilnis.	► Notīriet fiksācijas izcilni un nofiksējiet akumulatoru vēlreiz.
Akumulatora LED indikācijas nav.	Akumulators ir bojāts	► Vērsieties Hilti servisā.
Izstrādājums vai akumulators spēcīgi sakarst.	Elektrisks defekts.	► Ieslēdziet izstrādājumu. Izņemiet akumulatoru un vērojiet to. Ļaujiet tam atdzist. Vērsieties Hilti servisā.
Instrumentu nevar atbrīvot no fiksācijas.	Instrumenta patrona nav pilnībā atvilka atpakaļ.	► Līdz galam atvelciet instrumenta fiksācijas mehānismu un izņemiet instrumentu.
Instrumenta negriež materiālu.	Izstrādājums ir pārslēgts uz kreiso rotācijas virzienu.	► Pārslēdziet labā / kreisā rotācijas virziena slēdzi uz labo rotācijas virzienu.
	Funkciju pārslēdzējs pozīcijā "Urbšana bez triecienu funkcijas" \rightarrow .	► Novietojiet funkciju pārslēdzēju pozīcijā "Triecienurbšana" IT .




11 Nokalpojušo iekārtu utilizācija

BRĪDINĀJUMS!

Traumu risks neatbilstīgas utilizācijas gadījumā! Veselības apdraudējums, izplūstot kaitīgām gāzēm un šķidrumiem.

- ▶ Bojātus akumulatorus nav atļauts nosūtīt!
- ▶ Lai nepieļautu īssavienojumus, nosedziet pieslēguma kontaktus ar materiālu, kam nepiemīt elektriskā vadītspēja.
- ▶ Utilizējiet akumulatorus tā, lai tiem nevarētu piekļūt bērni.
- ▶ Nododiet akumulatoru utilizācijai jūs apkalpojošajā **Hilti Store** vai vērsieties pie kompetentā atkritumu apsaimniekošanas uzņēmuma.

 **Hilti** izstrādājumu izgatavošanā tiek izmantoti galvenokārt otrreiz pārstrādājami materiāli. Priekšnosacījums otrreizējai pārstrādei ir atbilstoša materiālu šķirošana. Daudzās valstīs **Hilti** pieņem nolietotās iekārtas otrreizējai pārstrādei. Lai saņemtu vairāk informācijas, vērsieties **Hilti** servisā vai pie sava pārdošanas konsultanta.



- ▶ Neizmetiet elektroiekārtas, elektroniskas ierīces un akumulatorus sadzīves atkritumos!

12 Ražotāja garantija

- ▶ Ar jautājumiem par garantijas nosacījumiem, lūdzu, vērsieties pie vietējā **Hilti** partnera.

13 Papildu informācija

Papildinformācija par lietošanu, tehniku, vides aizsardzību un materiālu otrreizējo pārstrādi ir pieejama, izmantojot šādu saiti: qr.hilti.com/manual?id=2264935&id=2264937

Šī saite QR koda veidā ir iekļauta arī dokumentācijas beigās.





CE Declaration of Conformity | UK Declaration of Conformity



Manufacturer:
Hilti Corporation
Feldkircherstraße 100
9494 Schaan | Liechtenstein

Importer:
Hilti (Gt. Britain) Limited
1 Trafford Wharf Road, Old Trafford
Manchester, M17 1BY

TE 6-22 (05)
TE DRS-4/6 (01)

Serial Numbers: 1-99999999999

2006/42/EC | Supply of Machinery (Safety)
Regulations 2008

EN 60745-1:2009 +
A11:2010

EN 55014-1:2017 + A11:2020

2014/30/EU | Electromagnetic Compatibility
Regulations 2016

EN 60745-2-6:2010

EN 55014-2:2015

2011/65/EU | The Restriction of the Use of
Certain Hazardous Substances in Electrical and
Electronic Equipment Regulations 2012

Dr. Tahar Zrilli
Head of Quality and Process Management
Business Area Electric Tools & Accessories

Schaan, 12.07.2021

Tassilo Deinzer
Executive Vice President
Business Unit Power Tools & Accessories



 NURON

B 22-85 (01)	0,77 kg	1.70 lb
B 22-110 (01)	0,92 kg	2.03 lb
B 22-170 (01)	1,34 kg	2.95 lb

C 4-22
C 6-22
C 8-22



Hilti Corporation
LI-9494 Schaan
Tel.:+423 234 21 11
Fax:+423 234 29 65
www.hilti.group



2264937