



# TECHNICAL HANDBOOK MT SYSTEM

Including technical data according to Eurocode 3 (EN 1993)  
Version from 03.2023

MT System	1
MT Profiles	2
MT Brackets	3
MT Connectors	4
MT Base Material Connectors	5
MT Media Fixation	6
MT Accessories	7
MT Roof Top Application Portfolio	8
MT Seismic Bracing Portfolio	9

## **Terms of common cooperation / Legal disclaimer**

The product loading capacities published in these Technical Data Sheets are only valid for the mentioned codes or technical data generation methods and the defined application conditions (e.g. ambient temperature load capacity not valid in case of fire, data not valid in support structures when mixed with third party products), assuming sufficient fastener, base material and building structure strength. Additional calculations, checks and releases by the responsible structural engineer might be needed to clarify the capacity of base material and building structure. Suitability of structures combining different products for specific applications needs to be verified by conducting a system design and calculation, using for example Hilti PROFIS software.

In addition, it is crucial to fully respect the Instructions for Use and to assure clean, unaltered and undamaged state of all products at any time in order to achieve this loading capacity (e.g. misuse, modification, overload, corrosion). As products but also technical data generation methodologies evolve over time, technical data might change at any time without prior notice. We recommend to use the latest technical data sheets published by Hilti.

In any case the suitability of structures combining different products for specific applications need to be checked and cleared by an expert, particularly with regard to compliance with applicable norms and permits, prior to using them for any specific facility. This book only serves as an aid to interpret the suitability of structures combining different products for specific applications without any guarantee as to the absence of errors, the correctness and the relevance of the results or suitability for a specific application. User must take all necessary and reasonable steps to prevent or limit damage. The suitability of structures combining different products for specific applications are only recommendations that need to be confirmed with a professional designer and/or structural engineers to ensure compliance with User's specific jurisdiction and project requirements.

## Technical Notes

---

Technical Notes 8–11

## 1 MT System

---

1.1 MT Open C-channels (Struts) Fixation 12–17  
1.2 Closed Profile Fixation 18

## 2 MT Profiles

---

2.1 MT Trapeze Profiles 19–21  
2.2 MT Open C-channels (Struts) 22–25  
2.3 MT Double C-channels (B2B Struts) 26–27  
2.4 MT Closed Profiles 28–29  
2.5 MT Profiles Technical Data 30–47

## 3 MT Brackets

---

3.1 MT Brackets 48–51

## 4 MT Connectors

---

4.1 MT Open C-channel (Strut) Connectors 52–90  
4.2 MT Closed Profiles Connectors 91–122

## 5 MT Base Material Connectors

---

5.1 MT Open C-channel (Strut) Base Material Connectors 123–139  
5.2 MT Closed Profiles Base Material Connectors 140–162

## 6 MT Media Fixation

---

6.1 MT Media Fixation For Open C-channels (Struts) 163–172  
6.2 MT Media Fixation For Closed Profiles 173–184

## 7 MT Accessories

---

7.1 MT Profile End Caps 185–190  
7.2 MT Profile Rubber Inlays 191–192

## 8 MT Roof Top Application Portfolio

---

8.1 MT Roof Top Application Portfolio 193–198

## 9 MT Seismic Bracing Portfolio

---

9.1 Seismic Bracing Portfolio 199–215

# ONE SYSTEM, COUNTLESS SCENARIOS

Easy to design and simple to assemble, Hilti's MT system is the only answer you'll ever need for virtually all your installation support structures. Whether you are planning MEP installations such as pipe and cable tray supports, or access platforms and integrated floors for energy and industry projects: The versatile and lightweight solution covers almost all loading scenarios and allows for highly efficient installation.

## DO MORE WITH LESS

Hilti MT is ideally suited for both light utilities such as air ducts and communication cables, as well as for cable trays and heavy cable ladders. It even fits for larger non-critical piping and heavier mechanical equipment.

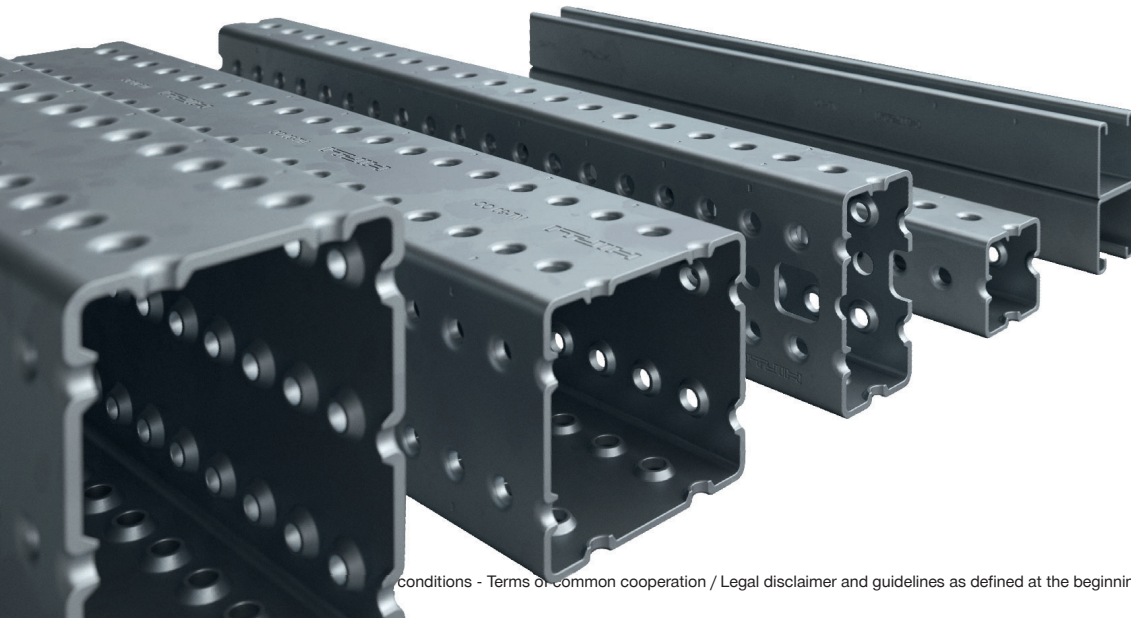
As a result, planning, managing, and assembling metal framing and support structures is easier than ever. With Hilti MT, you can seamlessly and simply

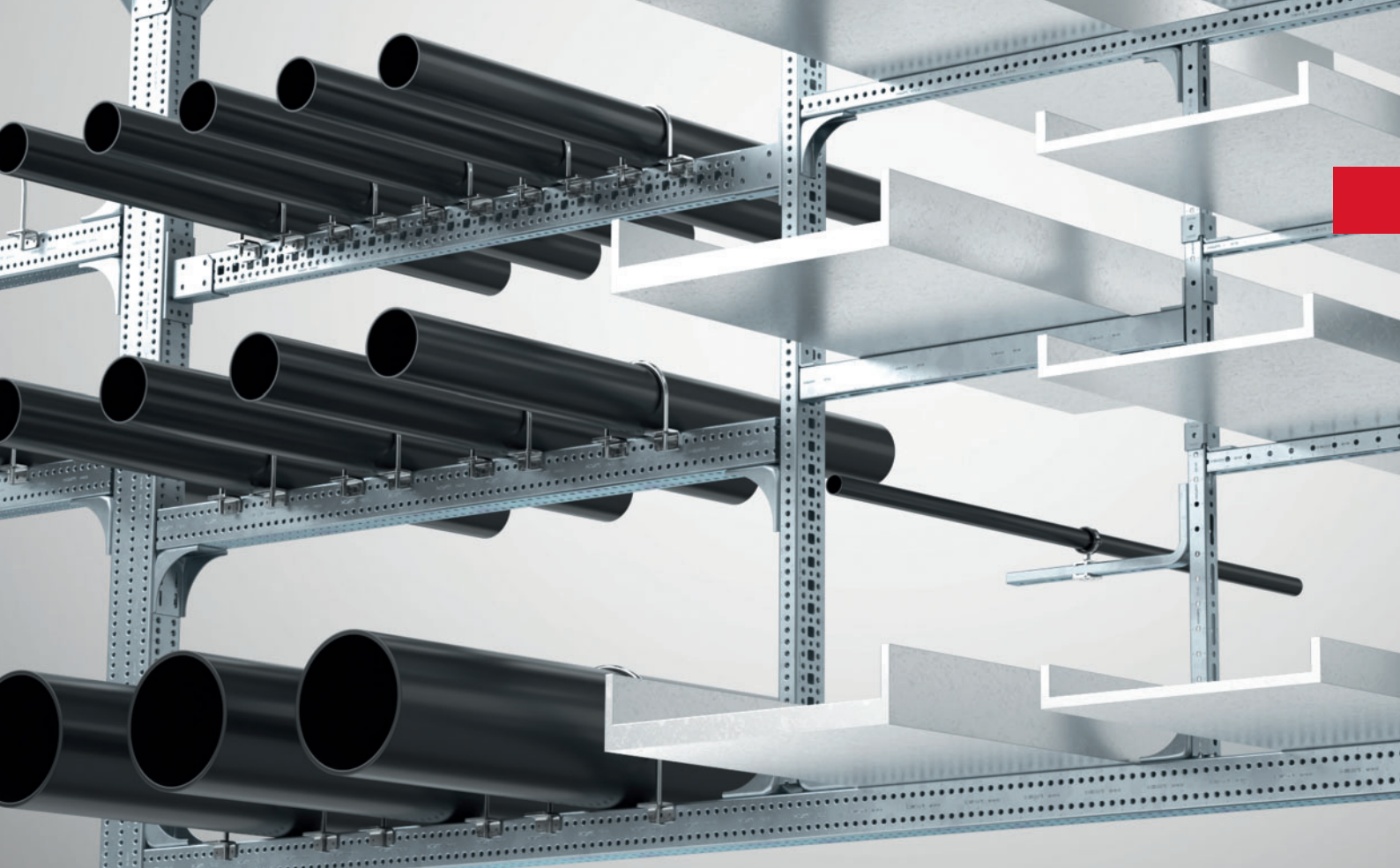
combine all your MEP utilities in a single support structure that has been engineered for optimal efficiency.

The Hilti MT system features cross compatibility and interchangeability, enabling cost-optimized solutions. All components and baseplates complement the range of profiles, ensuring the whole installation can be realized with the same system.

## DESIGN WITH EASE

A large portfolio consisting of trapeze profiles, C-channels (struts), and closed profiles (girders) allows for easy design, even of complex multi-trade support installations. And on top, Hilti MT features direct girder-on-girder connectivity as well as direct fixation of profiles to girders. Furthermore, some connectors are compatible with both strut C-channels and closed profiles (girders).





## ALWAYS THE RIGHT ONE

Installation of Hilti MT is intuitive, fast, and safe. It features a simple and robust bolting mechanism to minimize installation errors. All closed profile connections can be fixed with the same single bolt – the Thread Forming Bolt (MT-TFB). A mix-up of wrong bolts in a given fixation combination becomes a thing of the past.

### One-handed

Hilti MT allows for installation with one hand. Access to the reverse side of the structure as well as nuts or complex fixation elements are no longer needed.

### Flexible

Releasing, repositioning, and subsequent retorquing of fixations is fully enabled. This maintains the full flexibility of modular systems.

### Cost-effective

The variety of needed connectors is reduced, which minimizes complexity and cost of stock management. Fixation of elements can be accomplished by just one version of a simple bolt.

### Productive and safe

The Hilti SIW-AT impact wrench with Adaptive Torque System sets bolts consistently and fast with the ideal tightness.

### The essence of simplicity

Hilti MT-TFB Thread Forming Bolts securely connect to closed profiles (girders) without the need for nuts or washers. During installation, a robust thread is formed within the girder dome. This reduces the risk of thread stripping to a minimum.



# DESIGNED TO PERFORM, AND TO LAST

Hilti MT provides the latest innovation in strut C-Channel connectivity, making the system as flexible as never before. Moreover, the whole system features cutting-edge corrosion resistance for both indoor and outdoor exposure.

## SERRATION ON THE SPOT

Hilti MT-TL Twist-Lock channel nuts in effect create their own serration during torquing. This marks the first truly seamless strut C-Channel fixation method with shear capacity.

### Universal

Serration is created on the spot, thus eliminating the need for preformed serrations in the channel. Known restrictions of positioning steps (typically 2 mm) due to serrations become obsolete.

### Adjustable

Releasing, repositioning, and subsequent retorquing of elements fixed with MT-TL remains fully enabled.

### Reliable

Mechanical connection of the MT-TL is realized without reliance on friction, thus providing the required shear capacity for strut C-Channel connections.

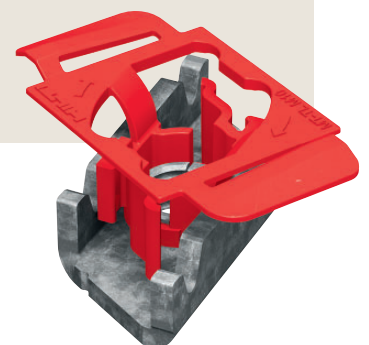
### Fast and easy

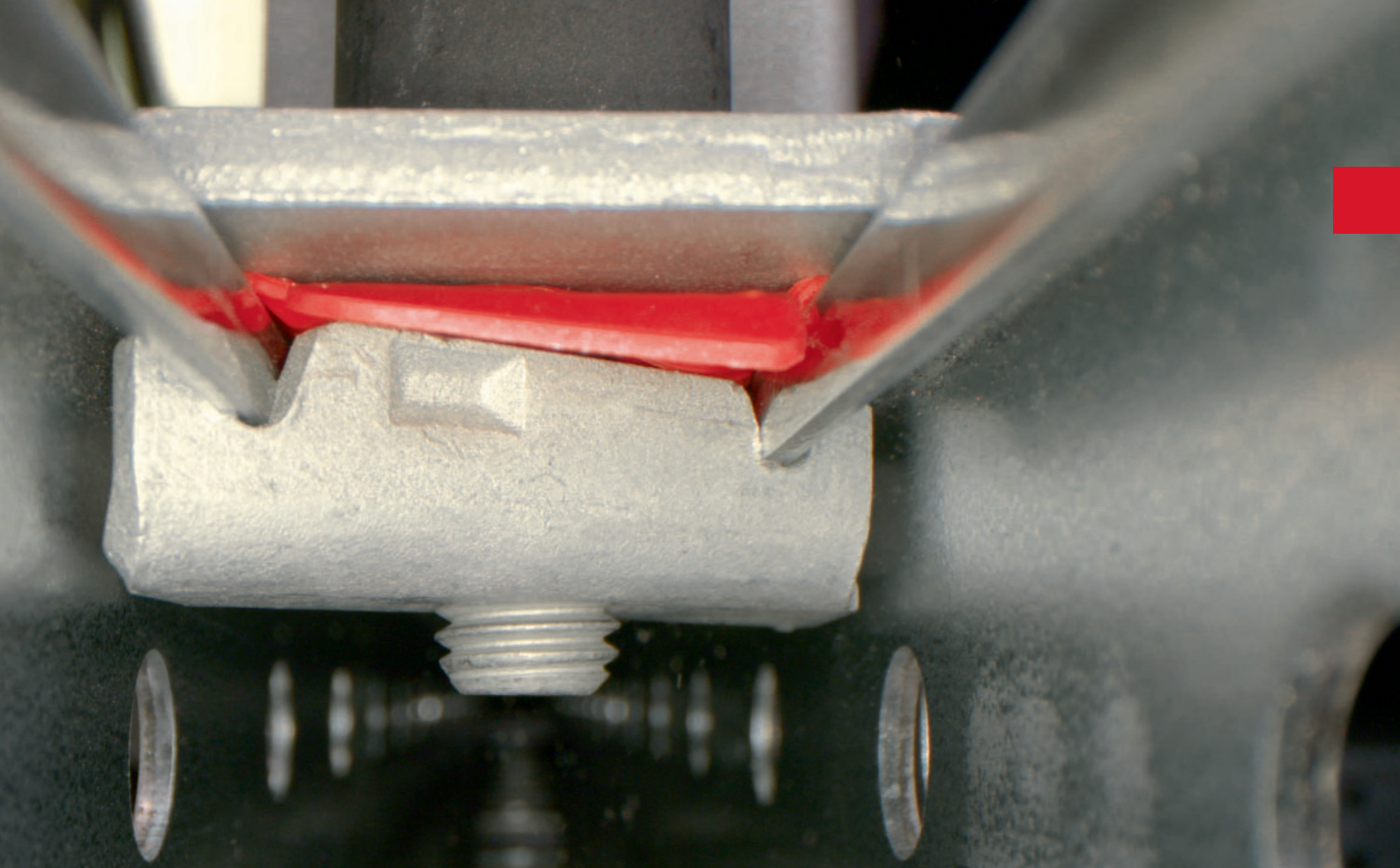
During installation, connection elements can be intuitively positioned and locked in place.

### Innovative Twist-Lock

Hilti MT-TL channel nuts can be easily installed with a one-handed “twist and lock” in position. A groove is cut into the channel allowing for rapid and highly accurate placement of components.

During installation, Hilti Twist-Locks do not slip before final-torquing and can even be repositioned later.





## CORROSION PROTECTION WITHOUT COMPROMISES

The Hilti MT system makes use of the most innovative technologies in corrosion protection and is designed to last in indoor and low to moderate pollution outdoor environmental conditions.

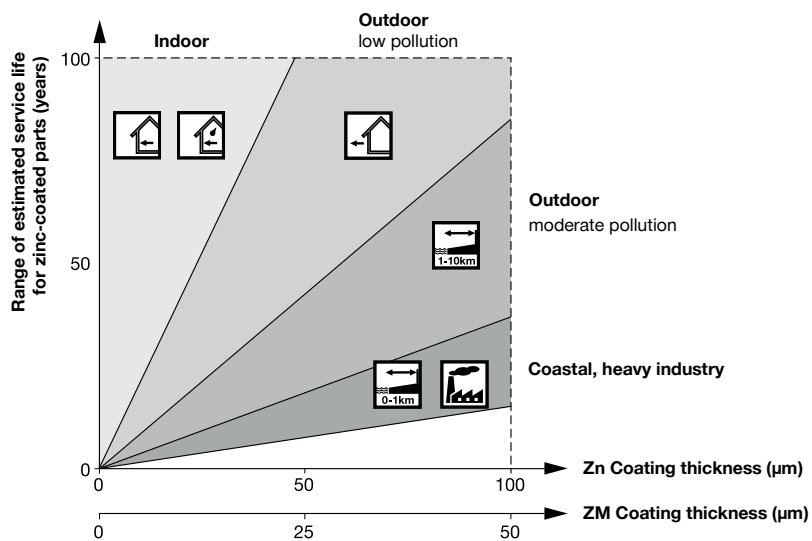
### Right for every condition

For indoor usage, Hilti's established high-quality protection is used: Profiles are sendzimir galvanized, connectors and baseplates are zinc electroplated.

Solutions designed for outdoor use combine hot-dip galvanization for components (such as connectors and baseplates) and zinc-magnesium galvanization (ZM technology) for profiles. ZM profiles conform to the ASTM A1046 and EN 10346 standards.

### Breakthrough coating technology

Zinc Magnesium (ZM) technology represents the leading edge of corrosion protection. It combines robustness and longevity with increased environmental friendliness and optimizes costs.



# EVALUATIONS OF TECHNICAL DATA

Technical data herein is based on analytical calculations, finite element analysis or laboratory testing based on the provisions of Eurocodes EN 1990 and EN 1993.

## Analytical Calculations

Analytical calculations for the design of joints as per EN 1993-1-8 are considered for the connector base material as well as bolted and welded connections.

## Finite Element Analysis

In line with EN 1993-1-5, finite element analysis is an established alternative method for obtaining resistance data. Such analyses with shell and/or solid finite element models are performed to derive technical data for connector components contained herein. State-of-the-art software and modelling technics considering geometrical and material non-linearities as per EN 1993-1-5 are applied. The final resistance data herein considers the serviceability limit state (deformation) as well as the ultimate limit state (stress/strain and stability).

## Testing

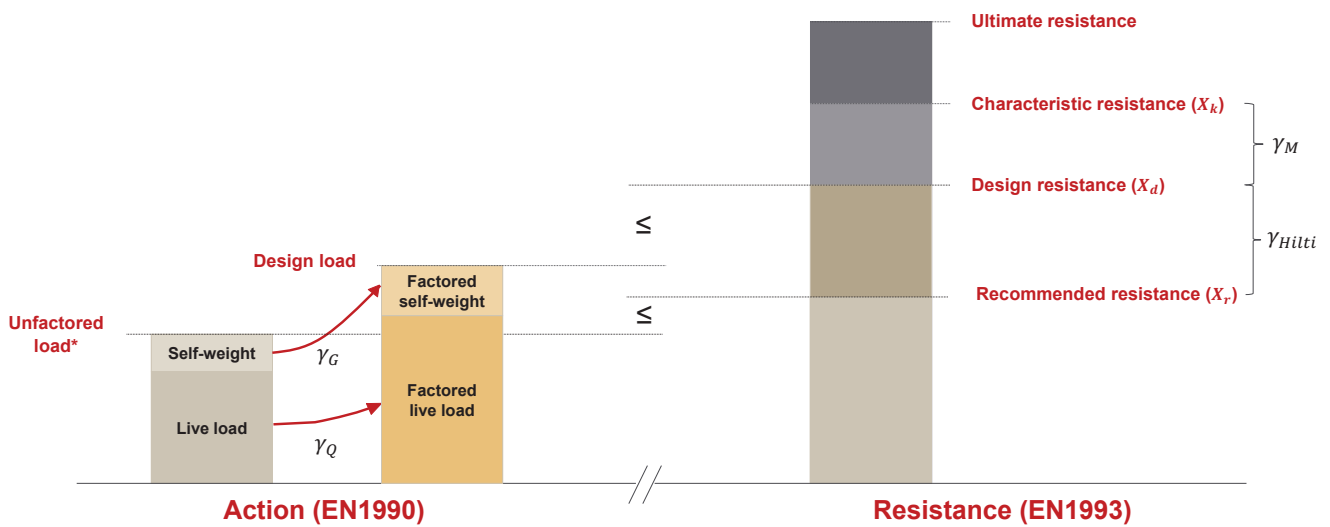
Structural performance via testing and evaluation is required when the strength of an element, connection, or assembly cannot be determined per the provisions of the Eurocode EN 1993. Moreover, they are performed to calibrate and validate finite element analysis and typically set the basis for connector load data in the most application relevant load directions. The assessment of laboratory tests is following the boundary conditions and statistical rules of EN 1990 Annex D.



# SAFETY CONCEPT

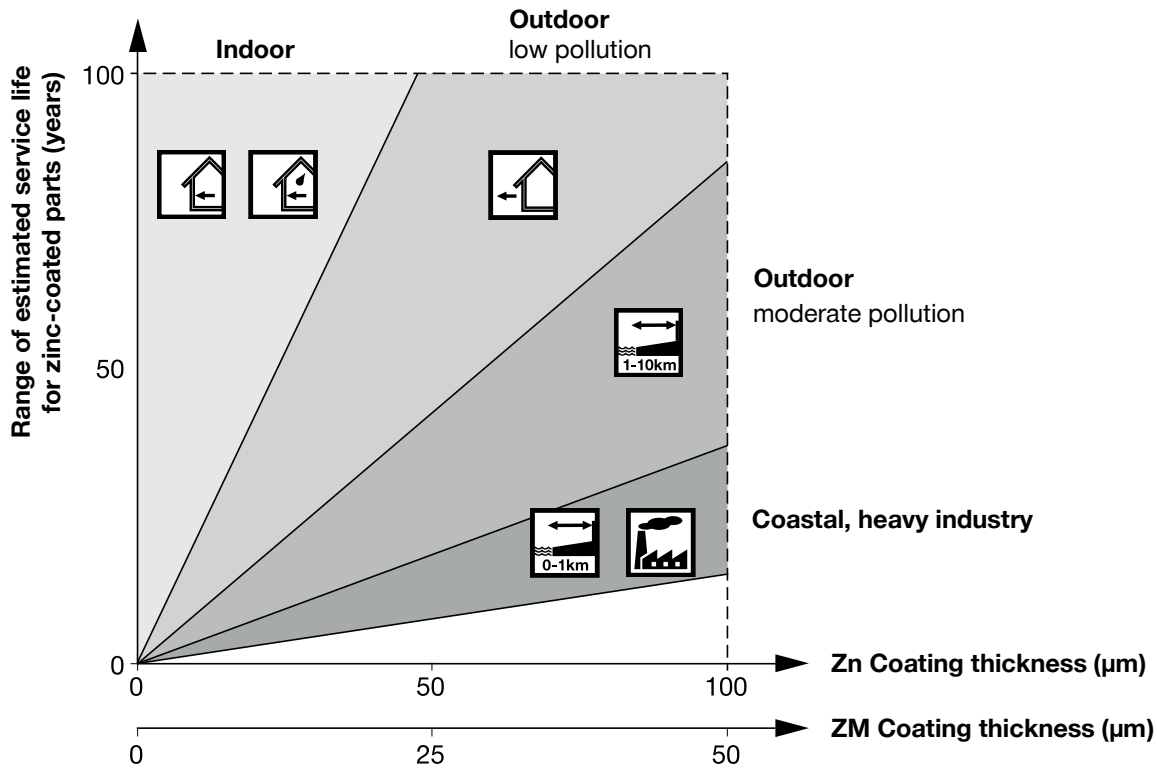
## On design and recommended resistance

- The design resistance of the products ( $X_d$ ) in this document is defined in accordance with EN1993
  - EN1993 partial safety factors for resistance ( $\gamma_M$ ) are included
  - Deformation limit is considered when defining the resistance
- All the resistances stated in this document are recommended values ( $X_r$ )**
  - Recommended values are always calculated from the design load via a Hilti concept safety factor ( $\gamma_{Hilti}$ )
 
$$X_r = \frac{X_d}{\gamma_{Hilti}}$$
    - $\gamma_{Hilti}$  includes the action partial safety factors, as per EN1990. This is a HILTI concept
    - The value of  $\gamma_{Hilti}$  can vary from one part to another. It can be 1.4 or 1.5.
- From the chart below it is noted that the comparison of "Recommended resistance" shall always be made with „Unfactored load\*", and "Design resistance" with "Design load"



\* It is noted that in EN1990 this is defined as «Characteristic load», i.e., the main representative value of a load. To enable an easier understanding of Hilti's safety concept, it is renamed to «Unfactored load» to highlight that it means weight of applied load without partial safety factors applied on top.

# GENERAL INFORMATION TO CORROSION PROTECTION



HILTI CORROSION RESISTANCE			
Hilti Corrosion Resistance	INDOOR COATED	OUTDOOR COATED	OUTDOOR PLUS
Corrosion class/ min. lifetime	C1 > 50 years C2 > 20 years	C3 > 25 years C4 > 15 years	C5 > 15 years (ask expert)
Corrosion environment	low-moderate	moderate-high	high-extreme

Hilti's installation systems are supplied in various coating technologies to meet the requirements in all conditions:

Hilti System	Indoor coated		Outdoor coated		Outdoor Plus	
	Zn	HDG Zn	HDG ZM	S A2	S A4	
MT-Profiles	X		X			
MT-Components	X	X				

The typical lifetime expectancy of Hilti's installation systems is shown in the table below:

Installation systems	Channel system	Indoor coated	Outdoor coated		Outdoor Plus	
		MT, MQ, MM, MC	MT-OC, MQ-F, MQ ASTM, MC-OC, MI, MIQ		MQ system stainless A2/ AISI 304	MQ system stainless A4/ AISI 316
	Pipe fastening	Indoor pipe rings <sup>1</sup>	HDG pipe rings <sup>2</sup>	MI-UB, MI-PS	Stainless pipe rings <sup>3</sup>	
Environmental conditions		lifetime (in years)				
	Dry indoor	50-100		100	■	■
	Indoor with temporary condensation	25-70		50-100	■	■
	Outdoor with low pollution	5-10		25-70	■	■
	Outdoor with moderate concentration of pollutants	-		15-40	■	■
	Coastal areas	-		5-20	-	■
	Outdoor, areas with heavy industrial pollution	-		5-20	-	■
	Close proximity to roads	-		-	-	■
	Special applications	<b>Consult experts</b>				

■ = expected lifetime of an installation system made from this material is typically satisfactory in the specified environment based on the typically expected lifetime of a building.

<sup>1</sup> Indoor pipe rings: MP-H, MP-HI, MP-LH, MP-LHI, MPN, MP-MI, MP-MIS, MP-M, MP-MXI, MP-MX, MP-PI, SDC, MP-SP

<sup>2</sup> HDG pipe rings: MP-MI-F, MP-M-F, MP-MXI-F, MP-MX-F

<sup>3</sup> Stainless pipe rings: MP-SRN, MP-SRNI, MP-MR, MP-MRI, MP-MRXI

## MT-TL Twist-Lock Channel Nut

Nut for attaching media to MT open C-channels (struts)

1



### Applications

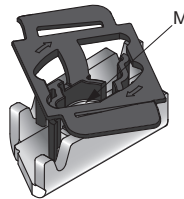
- Connecting all compatible hardware to MT strut channels
- Assembling shear-resistant metal framing for MEP support structures using MT strut channels (M10 version only)
- Suitable for use in dry, indoor environments

### Advantages

- Part of the Hilti MT system – an economical, all-in-one solution for virtually all modular MEP support structures
- High shear and pull-out resistance provided by a reliable mechanical fixation to the channel flanges
- Easy to install – insert into strut channel using a one-handed “push-and-twist” motion
- Adaptable – unlike welding, Twist-Locks allow you to modify strut channel framing during installation and for future MEP requirements
- Compatible with MT System strut channels – no need for serrations on the channel flanges
- Compatible with the Hilti Adaptive Torque system – use a cordless impact wrench to quickly tighten nuts to the correct pretension (compatible tool and SI-AT module required)

## MT-TL Twist-Lock Channel Nut M6 / M8 / M10 / M12 / M16 / 1/2 / 3/8

Order Designation	Technical data	Sales pack quantity	Item number
MT-TL M6	Dry indoor conditions (C1) Indoor with temporary condensation (C2)	50 pc	2343283
MT-TL M8		30 pc	2273630
MT-TL M10		30 pc	2272080
MT-TL M12		30 pc	2273632
MT-TL M16		30 pc	2273634
MT-TL 1/2		30 pc	2273638
MT-TL 3/8		50 pc	2273636



## MT-TL OC Twist-Lock Channel Nut

Nut for attaching media to open C-channel (struts) - outdoor



### Applications

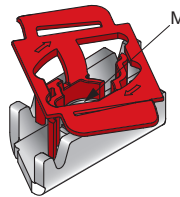
- Connecting all compatible hardware to MT strut channels
- Assembling shear-resistant metal framing for MEP support structures using MT strut channels (M10 version only)
- Suitable for use in moderately corrosive environments

### Advantages

- Part of the Hilti MT system – an economical, all-in-one solution for virtually all modular MEP support structures
- High shear and pull-out resistance provided by a reliable mechanical fixation to the channel flanges
- Easy to install – insert into strut channel using a one-handed “push-and-twist” motion
- Adaptable – unlike welding, Twist-Locks allow you to modify strut channel framing during installation and for future MEP requirements
- Compatible with MT System strut channels – no need for serrations on the channel flanges
- Compatible with the Hilti Adaptive Torque system – use a cordless impact wrench to quickly tighten nuts to the correct pretension (compatible tool and SI-AT module required)

## MT-TL Twist-Lock Channel Nut - Outdoor M6 / M8 / M10 / M12 / M16 / 1/2 / 3/8 OC

Order Designation	Technical data	Sales pack quantity	Item number
MT-TL M6 OC	Outdoor, low to moderate pollution (C3 / C4 - low)	50 pc	2343284
MT-TL M8 OC		30 pc	2273631
MT-TL M10 OC		30 pc	2272082
MT-TL M12 OC		30 pc	2273633
MT-TL M16 OC		30 pc	2273635
MT-TL 1/2 OC		30 pc	2273639
MT-TL 3/8 OC		50 pc	2273637



# MT-TL Twist-Lock Channel Nut

1

## Operation instruction

MT-TL M8 / MT-TL M8 OC / MT-TL 3/8" / MT-TL 3/8" OC / MT-TL M10 / MT-TL M10 OC

2311342-07\_2022

	A	B
MT-TL M8	30 Nm	10 Nm
MT-TL M8 OC		
MT-TL 3/8"	40 Nm (30 ft-lb)	20 Nm (15 ft-lb)
MT-TL 3/8" OC		
MT-TL M10	30 Nm	15 Nm
MT-TL M10 OC	40 Nm	25 Nm

The latest IFU (Instruction For Use) is available on Hilti Online. Please check for any revisions before installing the product.

## MT-TL M10 / MT-ML M10 OC

t		L
3 - 6 mm	MT-TLB	24 mm
6 - 8 mm	MT-TLB 30	30 mm

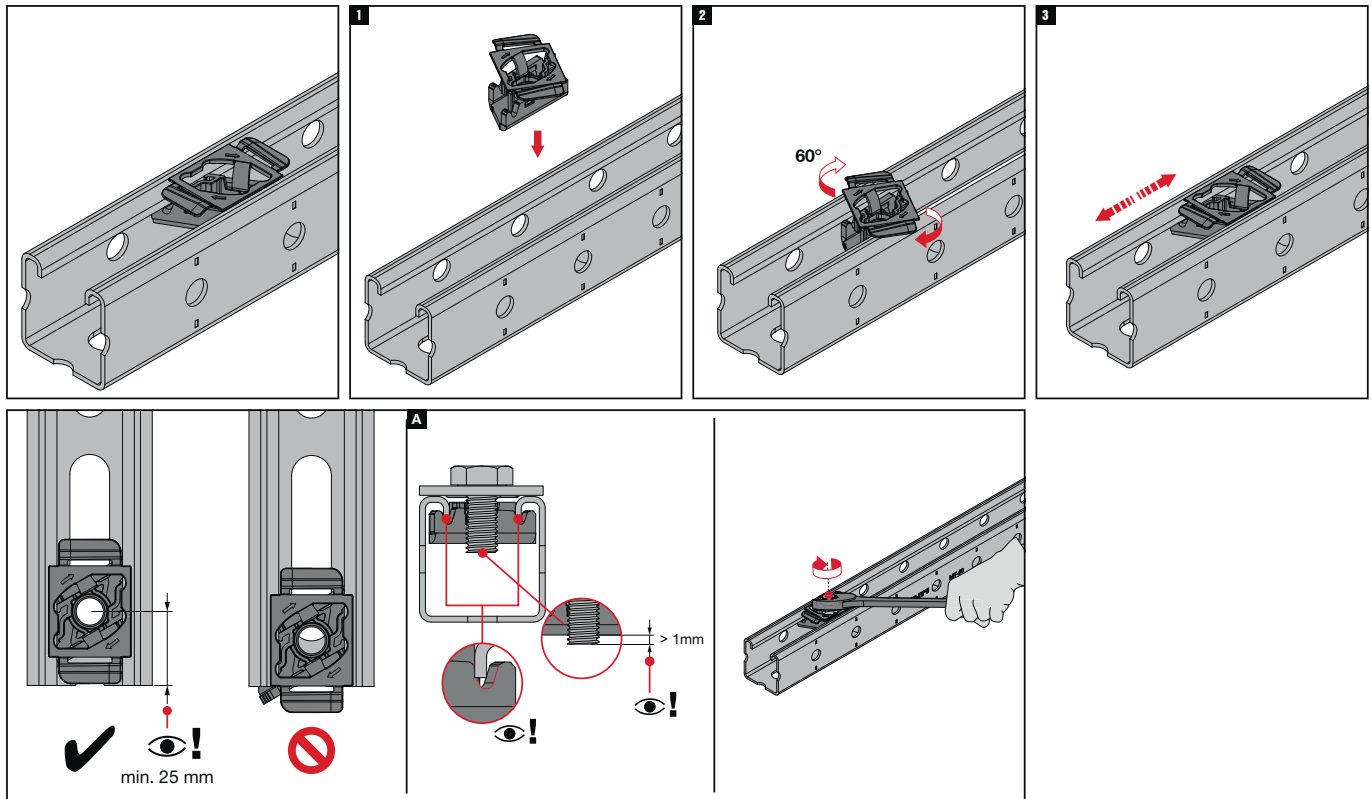
MT-TL M10	MT-TLB / MT-TLB 30	30 Nm (22 ft-lb)	SI-AT-A22 SI-AT-22
MT-TL M10 OC	MT-TLB OC / MT-TLB 30 OC	40 Nm (30 ft-lb)	SI-AT-A22 SI-AT-22

The latest IFU (Instruction For Use) is available on Hilti Online. Please check for any revisions before installing the product.

## MT-TL Twist-Lock Channel Nut

### Operation instruction MT-TL M6 / MT-TL M6 OC

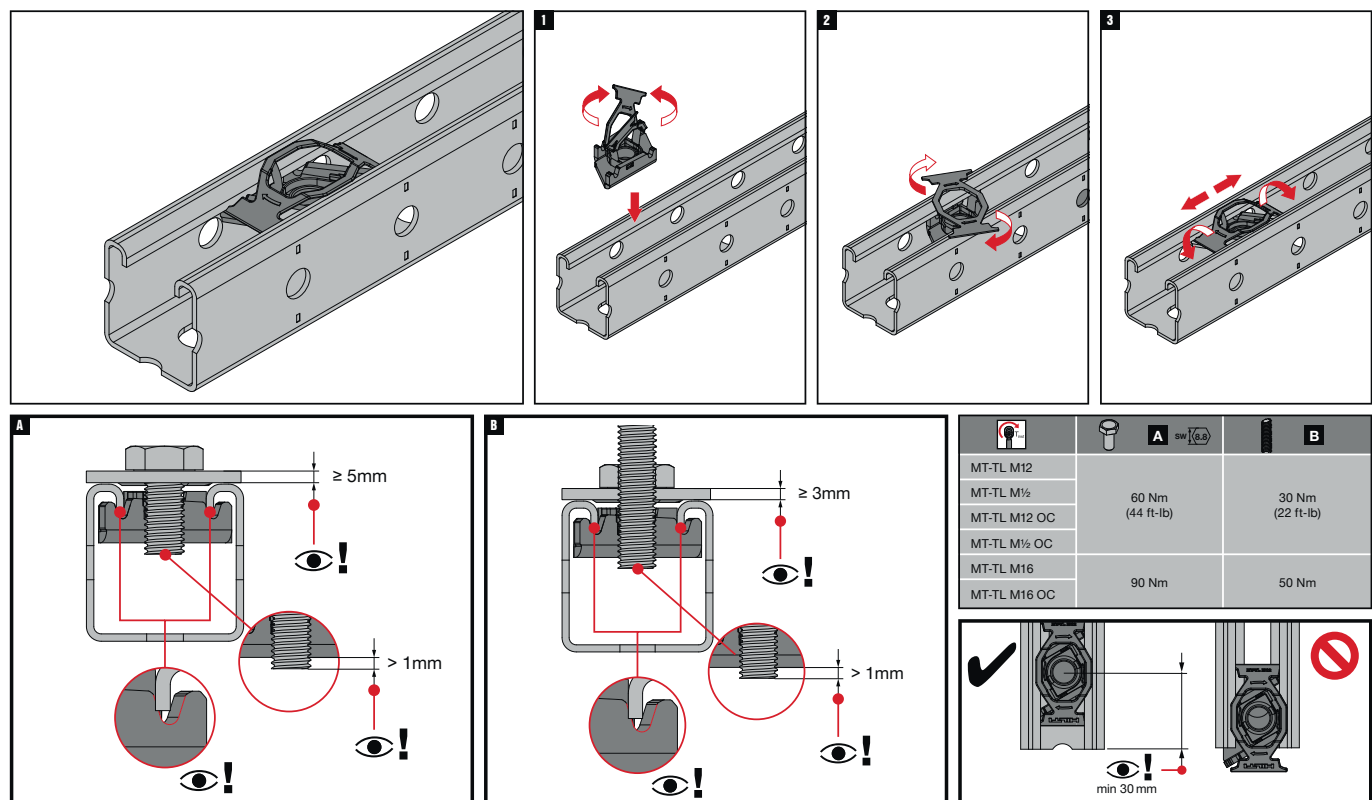
2350093-11.2021



The latest IFU (Instruction For Use) is available on Hilti Online. Please check for any revisions before installing the product.

### MT-TL M12 OC / MT-TL M16 OC / MT-TL M1/2" OC

2298187-06.2021



The latest IFU (Instruction For Use) is available on Hilti Online. Please check for any revisions before installing the product.

## MT-TLB Twist-Lock Bolt

Hexagon-head bolt for use with Twist-Locks when assembling open C-channel (strut) structures

1



### Advantages

- Easy to install – compatible with the Hilti MT Twist-Lock, a faster alternative to spring nuts for assembling a modular support system
- Compatible with the Hilti Adaptive Torque system – use a cordless impact wrench to quickly tighten bolts to the correct pretension (compatible tool and SI-AT module required)

### Applications

- Connecting all compatible hardware to MT C-channel (strut)
- Assembling shear-resistant metal framing for MEP support structures using MT strut channels
- Suitable for use in dry, indoor environments

### Technical data

Material composition	ISO 898-1 8.8
Surface finish	Indoor Coated - Electro Galvanized

## MT-TLB Twist-Lock Bolt

Order Designation	Technical data	Sales pack quantity	Item number	
MT-TLB	Dry indoor conditions (C1) Indoor with temporary condensation (C2)	200 pc	2273254	



## MT-TLB OC Twist-Lock Bolt - Outdoor

Hexagon bolt for use with Twist-Locks when assembling open C-channel (strut) structures (struts) for outdoor use with low pollution



### Advantages

- Easy to install – compatible with the Hilti MT Twist-Lock, a faster alternative to spring nuts for assembling a modular support system
- Compatible with the Hilti Adaptive Torque system – use a cordless impact wrench to quickly tighten bolts to the correct pretension (compatible tool and SI-AT module required)

### Applications

- Connecting all compatible hardware to MT C-channel (strut)
- Assembling shear-resistant metal framing for MEP support structures using MT strut channels
- Suitable for use in moderately corrosive environments

### Technical data

Material composition	ISO 898-1 8.8
Surface finish	Multi-layer coating, designed for corrosion environment category C3 according ISO 9223

## MT-TLB OC Twist-Lock Bolt - Outdoor

Order Designation	Technical data	Sales pack quantity	Item number	
MT-TLB OC	Outdoor, low to moderate pollution (C3 / C4 - low)	200 pc	2273256	

## MT-TFB OC Thread Forming Bolt

Thread-forming bolt for use when assembling MT closed profile structures

1



### Applications

- Connecting all compatible hardware to MT closed profiles
- Assembling metal framing for MEP support structures by fixing compatible MT connectors
- Direct attachment of MT profiles and channels to MT closed profiles, or any MT closed profile to MT-80

### Advantages

- Part of the Hilti MT system – an economical, all-in-one solution for virtually all modular MEP support structures
- One-step installation – no nut required
- Compatible with the Hilti Adaptive Torque system – use a cordless impact wrench to quickly tighten bolts to the correct pretension (compatible tool and SI-AT module required)
- Versatile – suitable for all MT girders and connection hardware

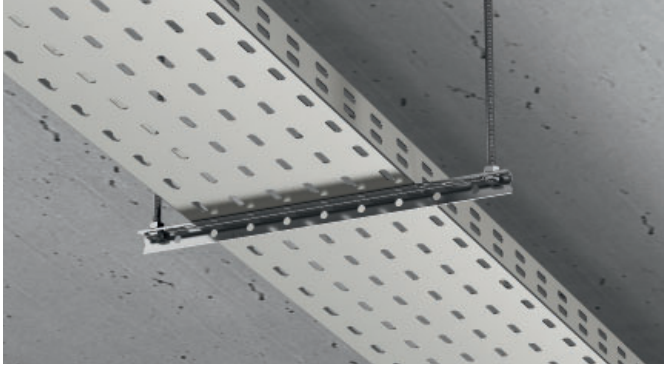
### Technical data

Material composition	High Strength Steel
Surface finish	Outdoor Coated - Multilayer

### MT-TFB OC Thread Forming Bolt - Outdoor

Order Designation	Technical data	Sales pack quantity	Item number	
MT-TFB OC	Outdoor, low to moderate pollution (C3 / C4 - low)	250 pc	2272084	

## MT Trapeze Profiles



### Applications

- Strut trapeze to support pipes, ducts and cable trays in dry, indoor environments
- Suitable for use in dry, indoor environments

### Technical data

Material composition	S280GD or better steel
Surface finish	Indoor Coated - Pre-galvanized (Z275)

### Advantages

- Economical – high load/weight ratio and rapid assembly make MT trapeze profile a more efficient alternative to welded MEP support structures
- Complexity kept to the minimum – optimizing logistical and on-site operations, as well as providing simplicity in installation
- Economical solution for simple threaded rod trapeze frames
- Fully compatible with the MT System – direct mounting on MT girders possible

### MT-10 Trapeze Profile

Order Designation	Technical data	Sales pack quantity	Item number	
MT-10	Dry indoor conditions (C1) Indoor with temporary condensation (C2)	1x 2 m	2268492	
MT-10 S		1x 3 m	2360728	

### MT-15 Trapeze Profile

Order Designation	Technical data	Sales pack quantity	Item number	
MT-15	Dry indoor conditions (C1) Indoor with temporary condensation (C2)	1x 2 m	2268493	
MT-15 S		1x 3 m	2360729	

**MT-20 Trapeze Profile**

Order Designation	Technical data	Sales package quantity	Item number	
<b>MT-20</b>	Dry indoor conditions (C1) Indoor with temporary condensation (C2)	1x 2 m	<b>2268495</b>	
<b>MT-20 S</b>		1x 3m	<b>2360921</b>	

**MT-40 T Trapeze Profile**

Order Designation	Technical data	Sales package quantity	Item number	
<b>MT-40 T S</b>	Dry indoor conditions (C1) Indoor with temporary condensation (C2)	1x 3 m	<b>2360923</b>	
<b>MT-40 T</b>		1x 6 m	<b>2268502</b>	

## MT Trapeze Profiles - Outdoor



### Applications

- Strut trapeze to support pipes, ducts and cable trays
- Suitable for use in moderately corrosive environments

### Advantages

- Economical – high load/weight ratio and rapid assembly make MT strut channel a more efficient alternative to welded MEP support structures
- Complexity kept to the minimum – optimizing logistical and on-site operations, as well as providing simplicity in installation
- Economical solution for threaded rod trapeze frames

### Technical data

Material composition	S280GD or better
Surface finish	Zinc-Magnesium (ZM310)- for outdoor use

### MT-15 OC Trapeze Profile - Outdoor

Order Designations	Technical data	Sales pack quantity	Item number	
MT-15 OC	Outdoor, low to moderate pollution (C3 / C4 - low)	1x 2 m	2268494	
MT-15 S OC		1x 3 m	2360920	

### MT-20 OC Trapeze Profile - Outdoor

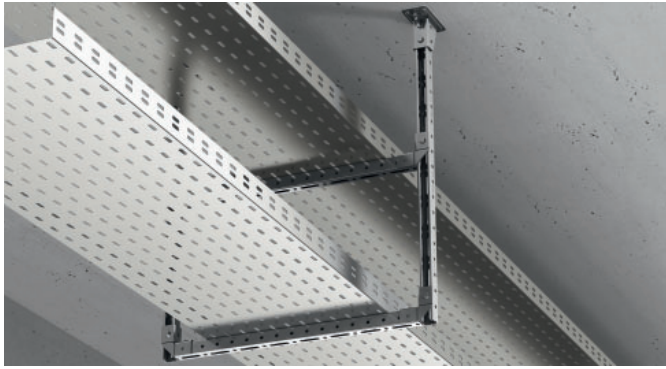
Order Designation	Technical data	Sales pack quantity	Item number	
MT-20 OC	Outdoor, low to moderate pollution (C3 / C4 - low)	1x 2 m	2268496	
MT-20 S OC		1x 3 m	2360922	

### MT-40 T OC Trapeze Profile - Outdoor

Order Designation	Technical data	Sales pack quantity	Item number	
MT-40 T S OC	Outdoor, low to moderate pollution (C3 / C4 - low)	1x 3 m	2360924	
MT-40 T OC		1x 6 m	2268504	

## MT Open C-channels (Struts)

2



### Applications

- Floor-mounted MEP support structures with lighter loads and limited spans, such as goal post-type strut framing
- Ceiling-mounted MEP support structures with lighter loads and limited spans, such as suspended strut trapeze frames
- Wall-mounted cantilever brackets for smaller pipes, ducts and cables

### Advantages

- Economical – high load/weight ratio and rapid assembly make MT strut channel a more efficient alternative to welded MEP support structures
- Complexity kept to the minimum – optimizing logistical and on-site operations, as well as providing simplicity in installation
- Simpler to design – you can use Hilti MT components for all MEP installations from the lightest trapeze to the heaviest-duty modular framing
- Simpler to install – compatible with the innovative MT System Twist-Lock, enabling the use of a wide range of MT connectors and baseplates

### Technical data

Material composition	S280GD or better steel
Surface finish	Indoor Coated - Pre-galvanized (Z275)

## MT-30 Open C-channel (Strut)

Order Designation	Technical data	Sales pack quantity	Item number	
MT-30 S	Dry indoor conditions (C1) Indoor with temporary condensation (C2)	1x 3 m	2268497	
MT-30		1x 6 m	2268498	

## MT Open C-channels (Struts)

### MT-40 Open C-channel (Strut)

Order Designation	Technical data	Sales pack quantity	Item number	
MT-40 S	Dry indoor conditions (C1) Indoor with temporary condensation (C2)	1x 3 m	2268505	
MT-40		1x 6 m	2268506	

### MT-50 Open Channel (Strut)

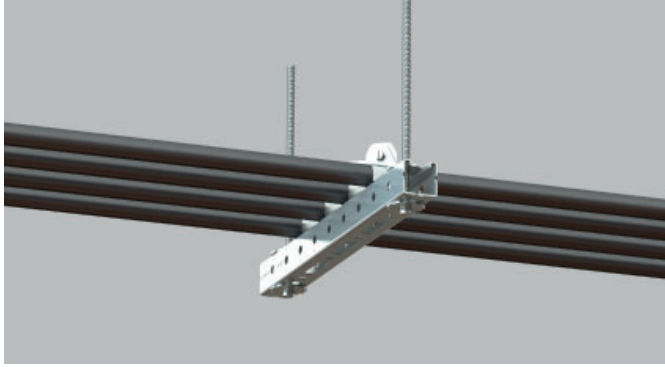
Order Designation	Technical data	Sales pack quantity	Item number	
MT-50 S	Dry indoor conditions (C1) Indoor with temporary condensation (C2)	1x 3 m	2268509	
MT-50		1x 6 m	2268510	

### MT-60 Open C-channel (Strut)

Order Designation	Technical data	Sales pack quantity	Item number	
MT-60 S	Dry indoor conditions (C1) Indoor with temporary condensation (C2)	1x 3 m	2268513	
MT-60		1x 6 m	2268514	

## MT Open C-channels (Struts) - Outdoor

2



### Applications

- Floor-mounted MEP support structures with lighter loads and limited spans, such as goal post-type strut framing
- Ceiling-mounted MEP support structures with lighter loads and limited spans, such as suspended strut trapeze frames
- Wall-mounted cantilever brackets for smaller pipes, ducts and cables

### Advantages

- Economical – high load/weight ratio and rapid assembly make MT strut channel a more efficient alternative to welded MEP support structures
- Complexity kept to the minimum – optimizing logistical and on-site operations, as well as providing simplicity in installation
- Simpler to design – you can use Hilti MT components for all MEP installations from the lightest trapeze to the heaviest-duty modular framing
- Simpler to install – compatible with the innovative MT System Twist-Lock, enabling the use of a wide range of MT connectors and baseplates

### Technical data

Material composition	S280GD or better steel
Surface finish	Zinc-Magnesium (ZM310)- for outdoor use

## MT-30 Open C-channel (Strut) - Outdoor

Order Designation	Technical data	Sales pack quantity	Item number	
MT-30 S OC	Outdoor, low to moderate pollution (C3 / C4 - low)	1x 3 m	2268499	
MT-30 OC		1x 6 m	2268500	



## MT Open C-channels (Struts) - Outdoor

### MT-40 Open C-channel (Strut) - Outdoor

Order Designation	Technical data	Sales pack quantity	Item number	
MT-40 S OC	Outdoor, low to moderate pollution (C3 / C4 - low)	1x 3 m	2268507	
MT-40 OC		1x 6 m	2268508	

### MT-50 Open C-channel (Strut) - Outdoor

Order Designation	Technical data	Sales pack quantity	Item number	
MT-50 S OC	Outdoor, low to moderate pollution (C3 / C4 - low)	1x 3 m	2268511	
MT-50 OC		1x 6 m	2268512	

### MT-60 Open C-channel (Strut) - Outdoor

Order Designation	Technical data	Sales pack quantity	Item number	
MT-60 S OC	Outdoor, low to moderate pollution (C3 / C4 - low)	1x 3 m	2268515	
MT-60 OC		1x 6 m	2268516	

## MT Double C-channel (B2B Strut)

2



### Applications

- Floor-mounted MEP support structures, such as goal post-type strut framing
- Ceiling-mounted MEP support structures, such as suspended strut trapeze frames
- Wall-mounted cantilever brackets for heavier pipes

### Advantages

- Economical – high load/weight ratio and rapid assembly make MT strut channel a more efficient alternative to welded MEP support structures
- Complexity kept to the minimum – optimizing logistical and on-site operations, as well as providing simplicity in installation
- Simpler to design – you can use Hilti MT components for all MEP installations from the lightest trapeze to the heaviest-duty modular framing
- Simpler to install – compatible with the innovative MT System Twist-Lock, enabling the use of a wide range of MT connectors and baseplates

### Technical data

Material composition	S280 or better steel
Surface finish	Indoor Coated - Pre-galvanized (Z275)

## MT Double C-channel (B2B Strut)

Order Designation	Technical data	Sales pack quantity	Item number	
MT-40D S	Dry indoor conditions (C1) Indoor with temporary condensation (C2)	1 x 3 m	2268517	
MT-40D		1 x 6 m	2268518	

## MT Open Double C-channel (B2B Strut) - Outdoor



### Applications

- Floor-mounted MEP support structures, such as goal post-type strut framing
- Ceiling-mounted MEP support structures, such as suspended strut trapeze frames
- Wall-mounted cantilever brackets for heavier pipes

### Technical data

Material composition	S280 or better steel
Surface finish	Zinc-Magnesium (ZM310) - for outdoor use

### Advantages

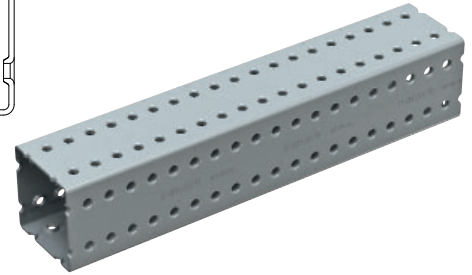
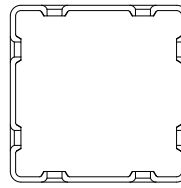
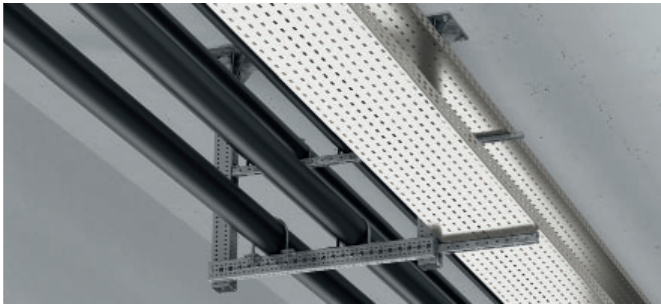
- Economical – high load/weight ratio and rapid assembly make MT strut channel a more efficient alternative to welded MEP support structures
- Complexity kept to the minimum – optimizing logistical and on-site operations, as well as providing simplicity in installation
- Simpler to design – you can use Hilti MT components for all MEP installations from the lightest trapeze to the heaviest-duty modular framing
- Simpler to install – compatible with the innovative MT System Twist-Lock, enabling the use of a wide range of MT connectors and baseplates

## MT-40 Open Double C-channel (B2B Strut) - Outdoor

Order Designation	Technical data	Sales pack quantity	Item number	
MT-40D S OC	Outdoor, low to moderate pollution (C3 / C4 - low)	1x 3 m	2268519	
MT-40D OC		1x 6 m	2268520	

**MT Closed Profiles - Outdoor**

2



**Applications**

- Floor-mounted MEP support structures, such as goal post-type strut framing
- Ceiling-mounted MEP support structures, such as suspended strut trapeze frames
- Wall-mounted cantilever brackets for heavier pipes

**Advantages**

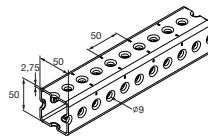
- Economical – high load/weight ratio make MT closed profiles an efficient alternative to welding for virtually any heavy-duty MEP supports and modular structures
- Complexity kept to the minimum – optimizing logistical and on-site operations, as well as providing simplicity in installation
- Simpler to design – you can use Hilti MT components for all MEP installations from the lightest trapeze to the heaviest-duty modular framing
- Simpler to install – compatible with the innovative MT thread-forming bolt, enabling the use of a wide range of MT connectors and baseplates, and avoiding the need for nuts

**Technical data**

Material composition	S350 or better steel
Surface finish	Zinc-Magnesium (ZM310) for outdoor use

**MT-70 Closed Profile - Outdoor**

Order Designation	Technical data	Sales pack quantity	Item number
MT-70 S OC	Outdoor, low to moderate pollution (C3 / C4 - low)	1 x 3 m	2268364
MT-70 OC		1 x 6 m	2268365



## MT Closed Profiles - Outdoor

### MT-80 Closed Profile - Outdoor

Order Designation	Technical data	Sales pack quantity	Item number	
MT-80 S OC	Outdoor, low to moderate pollution (C3 / C4 - low)	1x 3 m	2268366	
MT-80 OC		1x 6 m	2268367	

### MT-90 Closed Profile - Outdoor

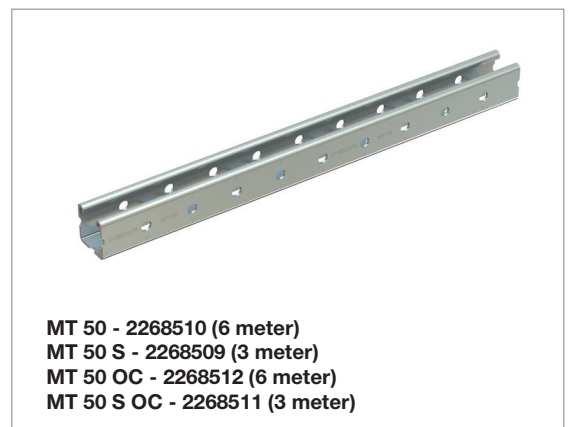
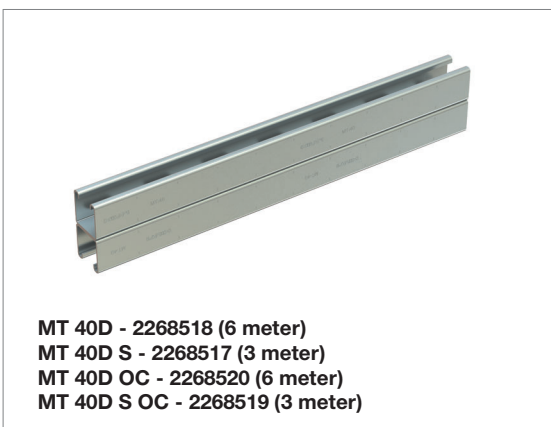
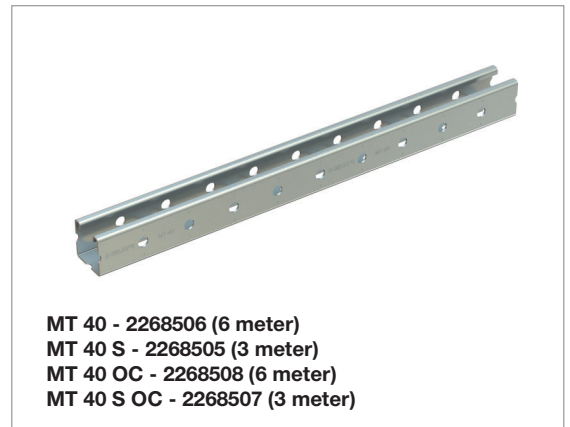
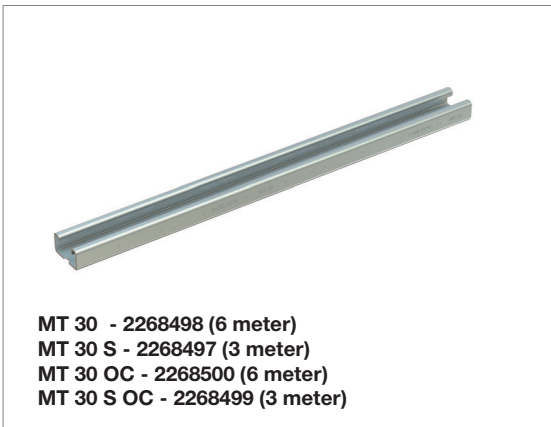
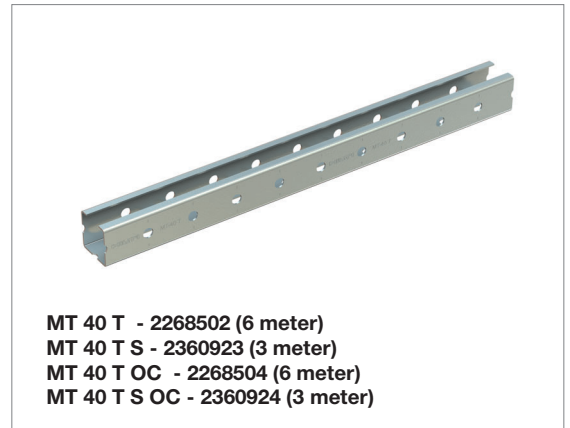
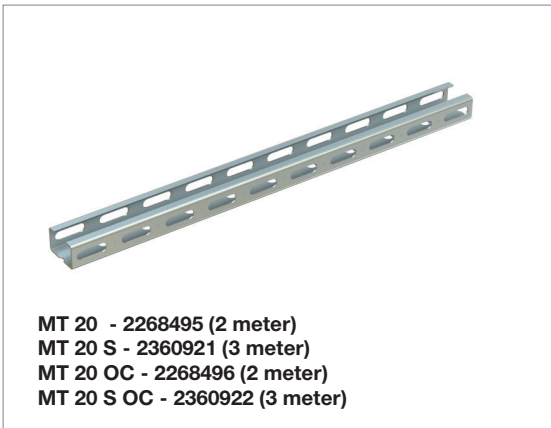
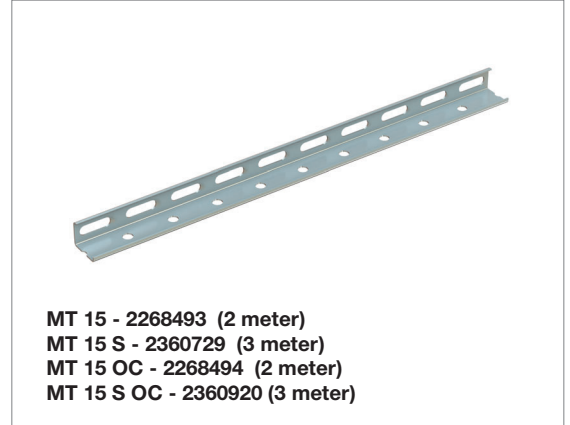
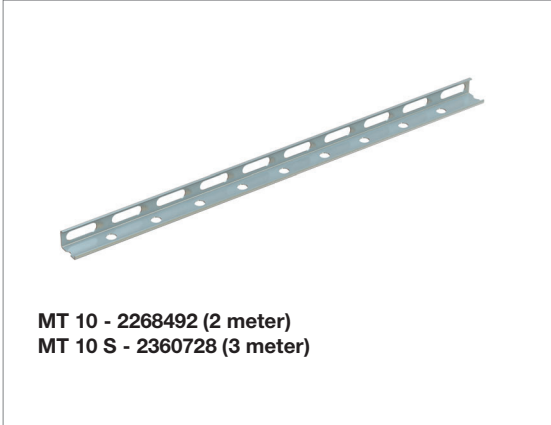
Order Designation	Technical data	Sales pack quantity	Item number	
MT-90 S OC	Outdoor, low to moderate pollution (C3 / C4 - low)	1x 3 m	2268368	
MT-90 OC		1x 6 m	2268369	

### MT-100 Closed Profile - Outdoor

Order Designation	Technical data	Sales pack quantity	Item number	
MT-100 S OC	Outdoor, low to moderate pollution (C3 / C4 - low)	1x 3 m	2268490	
MT-100 OC		1x 6 m	2268491	

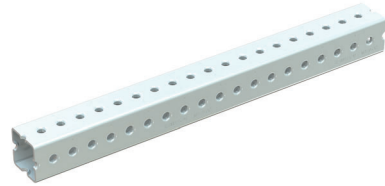
## Overview MT Trapeze Profiles, Open C-channels, Closed Profiles

2

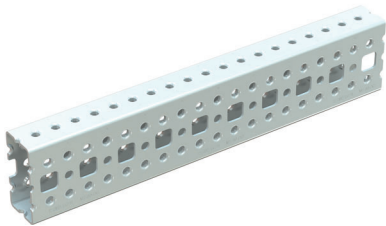




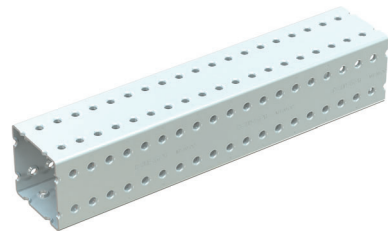
**MT 60 - 2268514 (6 meter)**  
**MT 60 S - 2268513 (3 meter)**  
**MT 60 OC - 2268516 (6 meter)**  
**MT 60 S OC - 2268515 (3 meter)**



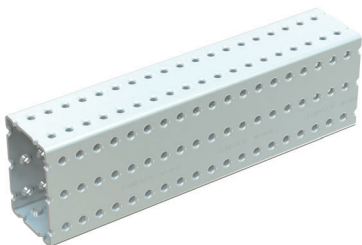
**MT 70 OC - 2268365 (6 meter)**  
**MT 70 S OC - 2268364 (3 meter)**



**MT 80 OC - 2268367 (6 meter)**  
**MT 80 S OC - 2268366 (3 meter)**



**MT 90 OC - 2268369 (6 meter)**  
**MT 90 S OC - 2268368 (3 meter)**



**MT 100 OC - 2268491 (6 meter)**  
**MT 100 S OC - 2268490 (3 meter)**

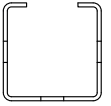
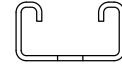
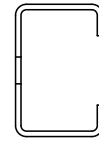
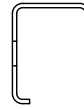
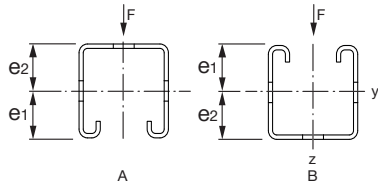
## MT Profiles Technical Data

2

## Technical data for channel profile MT (pregalvanized &amp; zing magnesium)

## trapeze profiles

## Definition of axes



			MT-10	MT-15/ MT-15 OC	MT-20/ MT-20 OC	MT-30/ MT-30 OC	MT-40 T/ MT-40 T OC
Channel wall thickness	t	[mm]	1,2	1,5	1,75	2,0	1,75
Cross-sectional area	A	[mm <sup>2</sup> ]	48,43	85,2	148,65	180	175,59
Channel weight		[kg/m]	0,3888	0,6784	1,267	1,486	1,69
Delivered length		[m]	2	2	2	3/6	6
<b>Material</b>							
Steel grade			S280GD	S280GD	S280GD	S280GD	S280GD
Permissible stress	$\delta_{perm}$	[N/mm <sup>2</sup> ]	207,8	206,7	205,8	205,8	200,5
E-Modul		[N/mm <sup>2</sup> ]	210000	210000	210000	210000	210000
<b>Surface</b>							
pregalvanized (DIN EN ISO 10346)			•	•	•	•	•
zinc magnesium (EN 10346 & ASTM A1046)				•	•	•	•
<b>Cross-section values Y-axis</b>							
Axis of gravity A <sup>1)</sup>	$e_1$	[mm]	9,25	11,90	21,25	12,04	23,05
Axis of gravity B	$e_2$	[mm]	16,75	23,10	21,25	10,96	19,45
Moment of inertia	$I_y$	[cm <sup>4</sup> ]	0,40	1,27	3,65	1,21	4,84
Permtion modulus A	$W_{y1}$	[cm <sup>3</sup> ]	0,25	0,57	1,73	1,00	2,10
Permtion modulus B	$W_{y2}$	[cm <sup>3</sup> ]	0,41	1,00	1,73	1,10	2,48
Radius of gyration	$i_y$	[cm]	0,91	1,22	1,57	0,82	1,66
Permissible moment <sup>2)</sup>	$M_y$	[Nm]	52	180	355	207	421
<b>Z-axis</b>							
Moment of inertia	$I_z$	[cm <sup>4</sup> ]	0,23	0,72	1,85	5,19	5,71
Permtion modulus	$W_z$	[cm <sup>3</sup> ]	0,15	0,36	1,07	2,44	2,69
Radius of gyration	$i_z$	[cm]	0,69	0,92	1,12	1,70	1,80

## Design note

- Shown load values are recommended values with partial safety factors for actions and resistance included
- Design value =  $\gamma^*$  recommended value ( $\gamma = 1.4$  for MT-10 to MT-70;  $\gamma = 1.5$  for MT-80 to MT-100)
- The design resistance of the products is defined in accordance with EN1993
- Load tables are based on stress and deflection calculations, lateral torsional buckling is not considered
- MT-10 to MT-70: The permissible stress  $\sigma_D / \gamma_{G,Q}$  where  $\gamma = 1.4$ .  $\sigma_D$  results from the higher yield strength (point) resulting from cold forming as per EN 1993-1-3: 2010:  $\sigma_D = f_{yk} / \gamma_M$  where  $\gamma_M = 1.1$ .
- MT-80 to MT-100: The permissible stress  $\sigma_D / \gamma_{G,Q}$  where  $\gamma = 1.5$

 1) For the arithmetical bending dimensioning is the smaller value ( $W_{y1}$ ,  $W_{y2}$ ) decisive to ( $W_{y1} = I_y / e_1$  bzw.  $W_{y2} = I_y / e_2$ ).

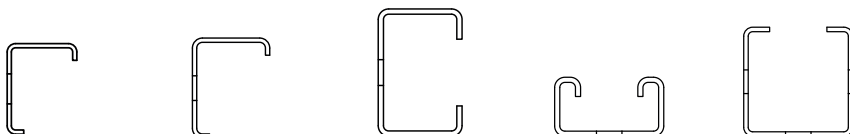
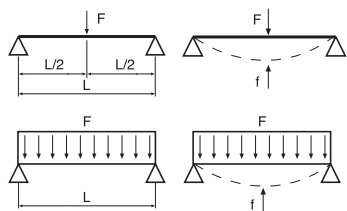
 2)  $M_y = \delta_{perm} \times \min. (W_{y1}, W_{y2})$



open C-channels (struts)				MT-closed profile			
MT-40 MT-40 OC	MT-40D/ MT-40D OC	MT-50/ MT-50 OC	MT-60/ MT-60 OC	MT-70 OC	MT-80 OC	MT-90 OC	MT-100 OC
2,0	2,0	2,75	2,75	2,75	3,0	3,0	4,0
214	429,52	276,05	500,1	428,78	592,66	976,08	1555,34
2,039	4,299	2,744	4,017	3,909	6,058	8,973	15,096
3/6	3/6	3/6	3/6	3/6	3/6	3/6	3/6
S280GD	S280GD	S280GD	S280GD	S350GD	S350GD	S350GD	S350GD
202,2	202,2	207,8	202,3	227,3	233,3	233,3	233,3
210000	210000	210000	210000	210000	210000	210000	210000
•	•	•	•				
•	•	•	•	•	•	•	•
21,76	42,50	22,04	36,62	25,00	50,00	50,00	75,00
20,74	42,50	20,46	35,38	25,00	50,00	50,00	75,00
5,77	29,96	7,04	28,67	15,87	87,97	150,85	487,36
2,65	7,05	3,19	7,83	6,35	17,59	30,17	64,98
2,78	7,05	3,44	8,10	6,35	17,59	30,17	64,98
1,64	2,64	1,60	2,39	1,92	3,85	3,93	5,60
536	1425	663	1584	1443	4105	7040	15162
6,59	13,18	8,27	17,11	15,87	24,50	150,85	260,98
3,10	6,20	3,89	8,05	6,35	9,80	30,17	52,20
1,76	1,75	1,73	1,85	1,92	2,03	3,93	4,10

## Point Load In The Middle Of The Span

2

**Technical data for channel profile MT (max. span width/deflection - point Load in the middle of trapeze profiles)**

**Max. span width L [cm] / deflection f [mm] - Result**

load F [kN]	MT-10		MT-15/ MT-15 OC		MT-20/ MT-20 OC		MT-30/ MT-30 OC		MT-40 T/ MT-40 T OC	
	L	f	L	f	L	f	L	f	L	f
0,25	83	0,4	157	7,8	260	12,9	152	7,6	294	14,7
0,50	42	0,1	93	3,2	188	9,3	109	5,5	215	10,7
0,75	28	0,0	62	1,4	155	7,7	90	4,5	178	8,9
1,00	21	0,0	47	0,8	134	6,6	78	3,9	154	7,6
1,25	17	0,0	37	0,5	113	5,0	66	2,9	134	6,2
1,50	14	0,0	31	0,4	94	3,4	55	2,1	112	4,3
1,75	12	0,0	27	0,3	81	2,5	47	1,5	96	3,2
2,00	10	0,0	23	0,2	71	1,9	41	1,2	84	2,4
2,25	9	0,0	21	0,2	63	1,5	37	0,9	75	1,9
2,50	8	0,0	19	0,1	57	1,2	33	0,7	67	1,6
2,75	8	0,0	17	0,1	52	1,0	30	0,6	61	1,3
3,00	7	0,0	16	0,1	47	0,9	28	0,5	56	1,1
3,50	6	0,0	13	0,1	41	0,6	24	0,4	48	0,8
4,00	5	0,0	12	0,1	36	0,5	21	0,3	42	0,6
4,50	5	0,0	10	0,0	32	0,4	18	0,2	37	0,5
5,00	4	0,0	9	0,0	28	0,3	17	0,2	34	0,4
6,00	3	0,0	8	0,0	24	0,2	14	0,1	28	0,3
7,00	3	0,0	7	0,0	20	0,2	12	0,1	24	0,2
8,00	3	0,0	6	0,0	18	0,1	10	0,1	21	0,2

**Design note**

- Shown load values are recommended values with partial safety factors for actions and resistance included
- Design value =  $\gamma$  \* recommended value ( $\gamma = 1.4$  for MT-10 to MT-70;  $\gamma = 1.5$  for MT-80 to MT-100)
- The design resistance of the products is defined in accordance with EN1993
- Load tables are based on stress and deflection calculations, lateral torsional buckling is not considered

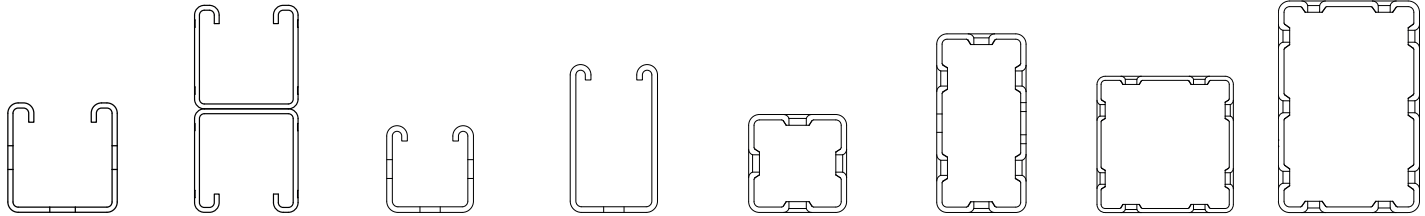
**Selection example:**

- 1,0 kN (= 100 kg) should be carried by a channel with a channel span width L = 100cm (single span simply supported).

**Solution:**

- Select the line with the load, F = 1,0 kN.
- The channels MT-20, MT-40 T up to MT-100 can be used because the permissible span width (table value) is larger or equal to the required span width of L = 100cm.

of span)

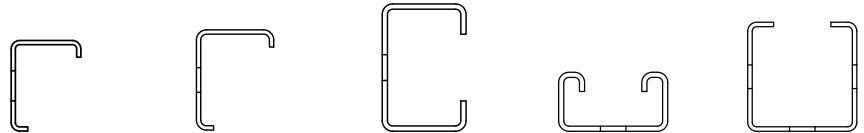
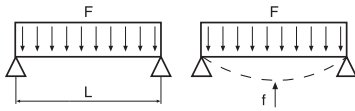
**open C-channels (struts)**
**MT-closed profile**


MT-40/ MT-40 OC		MT-40D/ MT-40D OC		MT-50/ MT-50 OC		MT-60/ MT-60 OC		MT-70 OC		MT-80 OC		MT-90 OC		MT-100 OC	
L	f	L	f	L	f	L	f	L	f	L	f	L	f	L	f
317	15,8	600	29,4	339	16,9	600	29,9	469	23,4	600	11,6	600	8,3	600	3,6
234	11,7	489	24,4	254	12,6	482	24,1	368	18,4	600	17,7	600	11,9	600	4,7
194	9,6	418	20,9	212	10,6	411	20,5	311	15,5	600	23,8	600	15,4	600	5,8
169	8,4	371	18,5	185	9,3	363	18,1	274	13,6	600	29,9	600	19,0	600	6,9
151	7,6	336	16,8	167	8,3	329	16,4	247	12,3	551	27,5	600	22,5	600	8,0
138	6,9	309	15,4	152	7,6	302	15,0	227	11,3	512	25,6	600	26,1	600	9,1
122	5,5	287	14,4	141	7,0	281	14,0	211	10,5	479	23,9	600	29,6	600	10,2
107	4,2	270	13,5	132	6,5	264	13,2	198	9,9	452	22,6	572	28,6	600	11,3
95	3,3	248	11,6	117	5,1	249	12,4	187	9,3	429	21,4	545	27,2	600	12,4
86	2,7	224	9,5	106	4,2	237	11,8	177	8,8	409	20,4	522	26,0	600	13,5
78	2,2	204	7,9	96	3,5	227	11,3	169	8,4	391	19,5	501	25,0	600	14,6
71	1,9	188	6,7	88	2,9	208	9,6	162	8,1	376	18,8	482	24,1	600	15,7
61	1,4	161	4,9	76	2,1	179	7,1	150	7,5	349	17,4	450	22,5	600	17,9
54	1,1	141	3,8	66	1,6	157	5,4	141	7,0	328	16,3	424	21,2	600	20,1
48	0,8	126	3,0	59	1,3	140	4,3	128	5,9	310	15,5	401	20,0	600	22,3
43	0,7	113	2,4	53	1,1	126	3,5	115	4,8	295	14,7	382	19,0	600	24,5
36	0,5	95	1,7	44	0,7	105	2,4	96	3,3	270	13,5	350	17,5	600	28,9
31	0,3	81	1,2	38	0,5	90	1,8	82	2,4	232	10,0	325	16,2	571	28,5
27	0,3	71	1,0	33	0,4	79	1,4	72	1,9	204	7,7	305	15,2	537	26,8

## Uniformly Distributed Load Along The Span

2

**Technical data for channel profile MT** (max. span width/deflection - distributed load along the

**trapeze profiles**

**Max. span width L [cm] / deflection f [mm] - Result**

load F [kN]	MT-10		MT-15/ MT-15 OC		MT-20/ MT-20 OC		MT-30/ MT-30 OC		MT-40 T/ MT-40 T OC	
	L	f	L	f	L	f	L	f	L	f
0,25	162	1,7	196	9,7	318	15,9	187	9,3	354	17,6
0,50	83	0,4	141	7,0	235	11,7	137	6,8	267	13,3
0,75	55	0,2	116	5,8	194	9,6	113	5,6	222	11,0
1,00	42	0,1	93	4,0	169	8,4	98	4,9	194	9,7
1,25	33	0,1	75	2,6	152	7,6	88	4,3	174	8,6
1,50	28	0,0	62	1,8	139	6,9	80	4,0	159	7,9
1,75	24	0,0	53	1,3	129	6,4	74	3,7	148	7,4
2,00	21	0,0	47	1,0	120	5,9	69	3,4	138	6,8
2,25	19	0,0	42	0,8	113	5,6	66	3,3	131	6,5
2,50	17	0,0	37	0,6	108	5,4	62	3,1	124	6,2
2,75	15	0,0	34	0,5	103	5,1	59	3,0	118	5,8
3,00	14	0,0	31	0,4	94	4,3	55	2,6	112	5,4
3,50	12	0,0	27	0,3	81	3,2	47	1,9	96	4,0
4,00	10	0,0	23	0,3	71	2,4	41	1,4	84	3,0
4,50	9	0,0	21	0,2	63	1,9	37	1,1	75	2,4
5,00	8	0,0	19	0,2	57	1,6	33	0,9	67	2,0
6,00	7	0,0	16	0,1	47	1,1	28	0,6	56	1,4
7,00	6	0,0	13	0,1	41	0,8	24	0,5	48	1,0
8,00	5	0,0	12	0,1	36	0,6	21	0,4	42	0,8

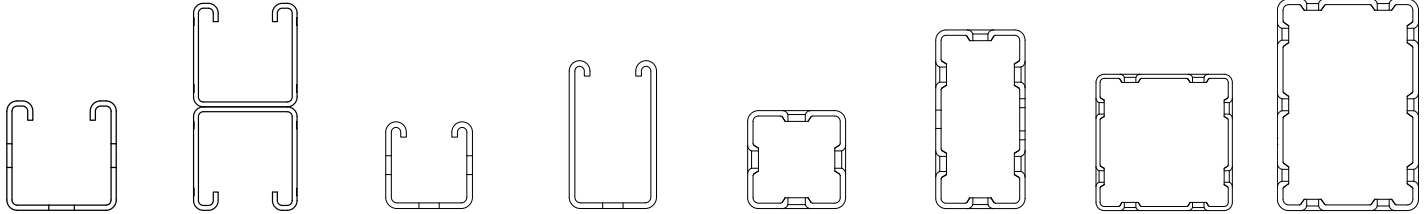
**Design note**

- Shown load values are recommended values with partial safety factors for actions and resistance included
- Design value =  $\gamma \cdot$  recommended value ( $\gamma = 1.4$  for MT-10 to MT-70;  $\gamma = 1.5$  for MT-80 to MT-100)
- The design resistance of the products is defined in accordance with EN1993
- Load tables are based on stress and deflection calculations, lateral torsional buckling is not considered

e span)

## open C-channels (struts)

## MT-closed profile

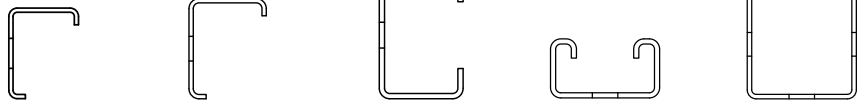
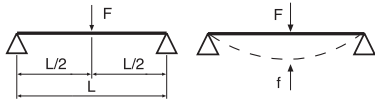


MT-40/ MT-40 OC		MT-40D/ MT-40D OC		MT-50/ MT-50 OC		MT-60/ MT-60 OC		MT-70 OC		MT-80 OC		MT-90 OC		MT-100 OC	
L	f	L	f	L	f	L	f	L	f	L	f	L	f	L	f
377	18,8	600	22,7	397	19,8	600	22,9	529	26,4	600	9,3	600	7,0	600	3,2
289	14,4	570	28,5	311	15,5	564	28,2	437	21,8	600	13,1	600	9,2	600	3,9
241	12,0	500	25,0	262	13,0	493	24,6	378	18,9	600	17,0	600	11,4	600	4,6
211	10,5	450	22,4	231	11,5	443	22,1	336	16,8	600	20,8	600	13,7	600	5,2
190	9,5	411	20,5	208	10,4	404	20,1	306	15,3	600	24,6	600	15,9	600	5,9
174	8,7	381	19,0	191	9,5	374	18,7	281	14,0	600	28,4	600	18,1	600	6,6
162	8,1	356	17,8	178	8,9	349	17,4	263	13,1	581	29,0	600	20,3	600	7,3
151	7,5	335	16,7	167	8,3	329	16,4	247	12,3	551	27,5	600	22,5	600	8,0
143	7,1	318	15,9	157	7,8	311	15,4	234	11,6	526	26,3	600	24,8	600	8,7
136	6,8	303	15,1	149	7,4	297	14,8	222	11,1	503	25,1	600	27,0	600	9,4
129	6,4	290	14,4	143	7,1	284	14,2	213	10,6	483	24,1	600	29,2	600	10,0
124	6,2	278	13,9	137	6,8	272	13,5	204	10,1	465	23,2	587	29,3	600	10,7
115	5,7	259	12,9	127	6,3	253	12,6	189	9,4	434	21,7	552	27,5	600	12,1
107	5,2	243	12,1	119	5,9	237	11,8	177	8,8	409	20,4	522	26,0	600	13,5
95	4,2	229	11,4	111	5,5	224	11,2	167	8,3	387	19,3	496	24,7	600	14,9
86	3,4	218	10,8	106	5,2	213	10,6	159	7,9	369	18,4	474	23,7	600	16,2
71	2,3	188	8,3	88	3,6	195	9,7	145	7,2	338	16,9	436	21,8	600	19,0
61	1,7	161	6,1	76	2,7	179	8,8	134	6,6	314	15,7	406	20,3	600	21,7
54	1,3	141	4,7	66	2,0	157	6,8	126	6,3	295	14,7	381	19,0	600	24,5

## Point Load In The Middle Of The Span

2

**Technical data for channel profile MT** (max. span width/deflection - point Load in the middle)

**trapeze profiles**

**Max. load F [kN] / deflection f [mm] - Result**

span width L [cm]	MT-10		MT-15/ MT-15 OC		MT-20/ MT-20 OC		MT-30/ MT-30 OC		MT-40 T/ MT-40 T OC	
	F	f	F	f	F	f	F	f	F	f
25	0,83	0,0	1,87	0,2	5,69	0,2	3,31	0,4	6,74	0,2
50	0,42	0,1	0,94	0,9	2,84	1,0	1,65	1,7	3,36	0,9
75	0,28	0,3	0,62	2,1	1,89	2,2	1,08	3,7	2,24	1,9
100	0,21	0,5	0,46	3,7	1,42	3,9	0,60	5,0	1,68	3,5
125	0,16	0,8	0,37	5,7	1,13	6,1	0,38	6,2	1,34	5,4
150	0,14	1,2	0,28	7,5	0,80	7,5	0,26	7,5	1,07	7,5
175	0,12	1,6	0,20	8,7	0,59	8,7	0,18	8,7	0,78	8,7
200	0,10	2,1	0,15	9,9	0,44	10,0	0,13	9,9	0,59	10,0
225	0,09	2,6	0,12	11,2	0,34	11,2	0,10	11,0	0,46	11,2
250	0,08	3,2	0,09	12,4	0,27	12,4	0,07	12,2	0,36	12,4
275	0,07	3,9	0,07	13,6	0,22	13,6	0,05	13,3	0,29	13,6
300	0,06	4,7	0,06	14,7	0,18	14,8	0,04	14,4	0,24	14,8
325	0,06	5,5	0,05	15,9	0,15	16,0	0,02	15,4	0,19	16,0
350	0,05	6,4	0,04	17,0	0,12	17,2	0,01	16,3	0,16	17,2
375	0,05	7,4	0,03	18,1	0,10	18,3			0,13	18,3
400	0,04	8,5	0,02	19,1	0,08	19,4			0,11	19,4
425	0,04	9,6	0,02	20,1	0,06	20,5			0,09	20,5
450	0,04	10,8	0,01	21,1	0,05	21,6			0,07	21,6
475	0,03	12,1	0,01	22,0	0,04	22,6			0,05	22,6
500	0,03	13,5			0,03	23,6			0,04	23,6
525	0,03	15,0			0,02	24,6			0,03	24,5
550	0,03	16,5			0,01	25,5			0,02	25,4
575	0,03	18,2			0,01	26,3			0,01	26,3
600	0,02	19,9								

**Design note**

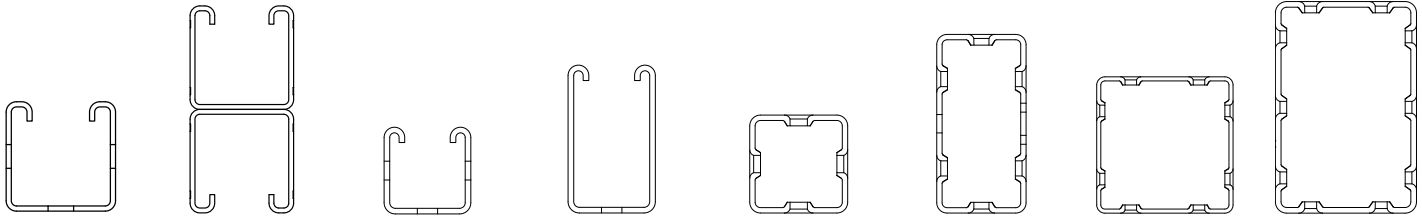
• Shown load values are recommended values with partial safety factors for actions and resistance included  
 • Design value =  $\gamma$  \* recommended value ( $\gamma = 1.4$  for MT-10 to MT-70;  $\gamma = 1.5$  for MT-80 to MT-100)

• The design resistance of the products is defined in accordance with EN1993  
 • Load tables are based on stress and deflection calculations, lateral torsional buckling is not considered

e of span)

open C-channels (struts)

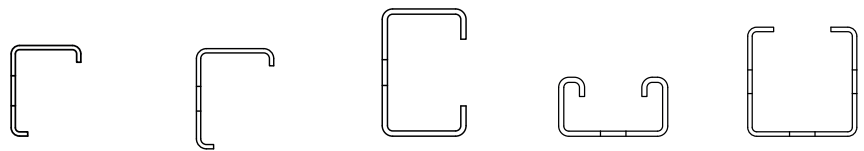
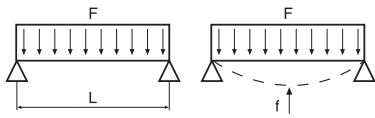
MT-closed profile



MT-40/ MT-40 OC		MT-40D/ MT-40D OC		MT-50/ MT-50 OC		MT-60/ MT-60 OC		MT-70 OC		MT-80 OC		MT-90 OC		MT-100 OC	
F	f	F	f	F	f	F	f	F	f	F	f	F	f	F	f
8,58	0,2	22,80	0,1	10,61	0,2	25,35	0,1	23,08	0,2	65,68	0,1	106,17	0,1	222,70	0,1
4,29	0,9	11,39	0,5	5,30	0,9	12,67	0,5	11,53	0,9	32,83	0,5	56,29	0,5	121,26	0,3
2,85	2,1	7,59	1,1	3,53	2,1	8,44	1,2	7,68	2,0	21,87	1,0	37,51	1,0	80,81	0,7
2,14	3,7	5,68	1,9	2,64	3,7	6,32	2,2	5,75	3,6	16,39	1,9	28,11	1,9	60,57	1,2
1,70	5,8	4,53	3,0	2,11	5,9	5,05	3,4	4,59	5,6	13,10	2,9	22,47	2,9	48,43	1,9
1,27	7,5	3,77	4,3	1,55	7,5	4,20	4,9	3,52	7,5	10,90	4,2	18,70	4,2	40,32	2,8
0,93	8,7	3,22	5,8	1,13	8,7	3,59	6,7	2,57	8,7	9,33	5,7	16,01	5,7	34,52	3,8
0,70	10,0	2,81	7,6	0,85	10,0	3,13	8,8	1,95	10,0	8,15	7,4	13,99	7,4	30,17	4,9
0,54	11,2	2,49	9,6	0,66	11,2	2,77	11,1	1,52	11,2	7,23	9,4	12,41	9,4	26,79	6,3
0,43	12,4	2,23	11,9	0,52	12,4	2,24	12,5	1,21	12,4	6,49	11,6	11,15	11,6	24,07	7,7
0,35	13,6	1,91	13,7	0,42	13,6	1,83	13,7	0,98	13,7	5,75	13,7	9,88	13,7	21,85	9,4
0,28	14,8	1,59	14,9	0,34	14,8	1,52	14,9	0,81	14,9	4,80	15,0	8,26	15,0	19,99	11,1
0,23	16,0	1,33	16,1	0,27	16,0	1,28	16,1	0,67	16,1	4,06	16,2	7,00	16,2	18,42	13,1
0,19	17,2	1,13	17,4	0,22	17,1	1,08	17,4	0,56	17,3	3,47	17,4	5,99	17,4	17,06	15,2
0,15	18,3	0,96	18,6	0,18	18,3	0,92	18,6	0,47	18,4	3,00	18,7	5,17	18,7	15,89	17,4
0,13	19,4	0,83	19,8	0,15	19,4	0,79	19,8	0,39	19,6	2,60	19,9	4,50	19,9	14,86	19,9
0,10	20,5	0,71	20,9	0,12	20,4	0,68	21,0	0,33	20,7	2,28	21,1	3,95	21,1	13,16	21,2
0,08	21,6	0,61	22,1	0,09	21,5	0,59	22,1	0,27	21,9	2,00	22,3	3,48	22,3	11,66	22,4
0,06	22,6	0,53	23,3	0,07	22,5	0,51	23,3	0,23	22,9	1,77	23,5	3,08	23,6	10,39	23,6
0,05	23,6	0,46	24,4	0,05	23,4	0,44	24,4	0,19	24,0	1,56	24,7	2,73	24,8	9,30	24,9
0,03	24,5	0,39	25,6	0,03	24,3	0,38	25,6	0,15	25,0	1,39	25,9	2,43	26,0	8,37	26,1
0,02	25,4	0,34	26,7	0,01	25,2	0,33	26,7	0,12	26,1	1,24	27,1	2,17	27,2	7,55	27,3
0,01	26,3	0,29	27,7			0,28	27,8	0,09	27,0	1,10	28,3	1,94	28,3	6,83	28,5
		0,24	28,8			0,24	28,8	0,06	28,0	0,98	29,4	1,74	29,5	6,20	29,7

## Uniformly Distributed Load Along The Span

2

**Technical data for channel profile MT (max. span width/deflection - distributed load along the trapeze profiles**


Max. Last F [kN]/Durchbiegung f [mm], max. L/200 bei Gleichlast

span width L [cm]	MT-10		MT-15/ MT-15 OC		MT-20/ MT-20 OC		MT-30/ MT-30 OC		MT-40 T/ MT-40 T OC	
	F	f	F	f	F	f	F	f	F	f
25	1,66	0,0	3,75	0,3	8,65	0,2	6,61	0,5	13,47	0,3
50	0,83	0,2	1,87	1,1	5,68	1,2	3,30	2,1	6,73	1,1
75	0,55	0,4	1,24	2,6	3,78	2,7	1,72	3,8	4,48	2,4
100	0,41	0,6	0,93	4,6	2,83	4,8	0,96	5,0	3,35	4,3
125	0,33	1,0	0,65	6,3	1,87	6,3	0,61	6,3	2,47	6,3
150	0,27	1,4	0,44	7,5	1,29	7,5	0,41	7,5	1,71	7,5
175	0,23	2,0	0,32	8,8	0,94	8,8	0,29	8,8	1,24	8,8
200	0,20	2,6	0,24	10,0	0,71	10,0	0,21	10,0	0,94	10,0
225	0,18	3,2	0,19	11,3	0,55	11,3	0,16	11,3	0,73	11,3
250	0,16	4,0	0,15	12,5	0,44	12,5	0,12	12,5	0,58	12,5
275	0,14	4,8	0,12	13,8	0,35	13,8	0,09	13,8	0,47	13,8
300	0,13	5,7	0,09	15,0	0,29	15,0	0,06	15,0	0,38	15,0
325	0,12	6,7	0,07	16,3	0,24	16,3	0,04	16,3	0,31	16,3
350	0,11	7,8	0,06	17,5	0,20	17,5	0,03	17,5	0,26	17,5
375	0,10	9,0	0,05	18,8	0,16	18,8	0,01	18,8	0,21	18,8
400	0,09	10,2	0,04	20,0	0,13	20,0			0,18	20,0
425	0,08	11,5	0,03	21,3	0,11	21,3			0,14	21,3
450	0,08	12,9	0,02	22,5	0,09	22,5			0,12	22,5
475	0,07	14,4	0,01	23,8	0,07	23,8			0,09	23,8
500	0,06	16,0	0,01	25,0	0,05	25,0			0,07	25,0
525	0,06	17,6			0,04	26,3			0,05	26,3
550	0,05	19,3			0,03	27,5			0,04	27,5
575	0,05	21,1			0,02	28,8			0,02	28,8
600	0,05	23,0			0,01	30,0			0,01	30,0

**Design note**

• Shown load values are recommended values with partial safety factors for actions and resistance included  
 • Design value =  $\gamma \cdot$  recommended value ( $\gamma = 1.4$  for MT-10 to MT-70;  $\gamma = 1.5$  for MT-80 to MT-100)

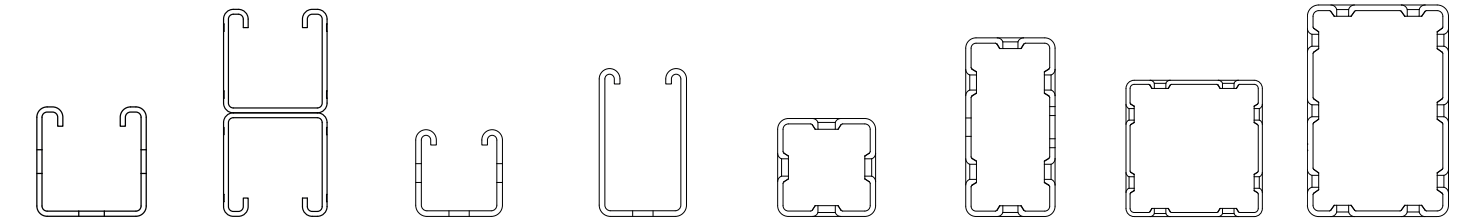
• The design resistance of the products is defined in accordance with EN1993  
 • Load tables are based on stress and deflection calculations, lateral torsional buckling is not considered



ne span)

open C-channels (struts)

MT-closed profile



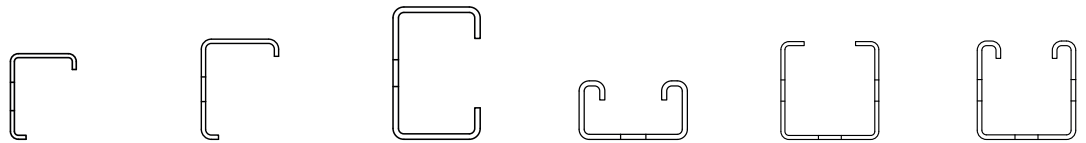
MT-40/ MT-40 OC		MT-40D/ MT-40D OC		MT-50/ MT-50 OC		MT-60/ MT-60 OC		MT-70 OC		MT-80 OC		MT-90 OC		MT-100 OC	
F	f	F	f	F	f	F	f	F	f	F	f	F	f	F	f
17,16	0,3	27,12	0,1	21,22	0,3	50,70	0,2	46,17	0,3	124,57	0,1	106,17	0,1	222,70	0,0
8,57	1,2	22,78	0,6	10,60	1,2	25,34	0,7	23,07	1,1	65,66	0,6	106,17	0,5	222,70	0,4
5,71	2,6	15,17	1,3	7,06	2,6	16,87	1,5	15,36	2,5	43,75	1,3	75,02	1,3	161,62	0,9
4,27	4,6	11,36	2,4	5,28	4,7	12,64	2,7	11,51	4,5	32,78	2,3	56,23	2,3	121,15	1,5
2,95	6,3	9,07	3,7	3,60	6,3	10,09	4,3	8,14	6,3	26,20	3,6	44,94	3,6	96,85	2,4
2,04	7,5	7,54	5,3	2,48	7,5	8,39	6,2	5,63	7,5	21,80	5,2	37,41	5,2	80,64	3,5
1,48	8,8	6,44	7,2	1,81	8,8	7,17	8,4	4,11	8,8	18,66	7,1	32,02	7,1	69,05	4,7
1,12	10,0	5,62	9,4	1,36	10,0	5,70	10,0	3,12	10,0	16,30	9,3	27,98	9,3	60,35	6,2
0,87	11,3	4,68	11,3	1,06	11,3	4,48	11,3	2,44	11,3	13,88	11,3	23,83	11,3	53,57	7,8
0,69	12,5	3,76	12,5	0,84	12,5	3,60	12,5	1,95	12,5	11,20	12,5	19,24	12,5	48,14	9,6
0,56	13,8	3,08	13,8	0,67	13,8	2,95	13,8	1,59	13,8	9,21	13,8	15,84	13,8	43,69	11,7
0,46	15,0	2,56	15,0	0,55	15,0	2,45	15,0	1,31	15,0	7,70	15,0	13,25	15,0	39,98	13,9
0,37	16,3	2,15	16,3	0,45	16,3	2,06	16,3	1,08	16,3	6,52	16,3	11,22	16,3	36,72	16,3
0,31	17,5	1,82	17,5	0,37	17,5	1,75	17,5	0,91	17,5	5,58	17,5	9,62	17,5	31,55	17,5
0,25	18,8	1,56	18,8	0,30	18,8	1,49	18,8	0,76	18,8	4,82	18,8	8,31	18,8	27,38	18,8
0,21	20,0	1,34	20,0	0,24	20,0	1,28	20,0	0,64	20,0	4,19	20,0	7,24	20,0	23,96	20,0
0,17	21,3	1,15	21,3	0,20	21,3	1,11	21,3	0,54	21,3	3,67	21,3	6,35	21,3	21,12	21,3
0,14	22,5	1,00	22,5	0,16	22,5	0,96	22,5	0,46	22,5	3,23	22,5	5,60	22,5	18,73	22,5
0,11	23,8	0,87	23,8	0,12	23,8	0,83	23,8	0,38	23,8	2,86	23,8	4,97	23,8	16,70	23,8
0,08	25,0	0,75	25,0	0,09	25,0	0,72	25,0	0,32	25,0	2,53	25,0	4,42	25,0	14,97	25,0
0,05	26,3	0,65	26,3	0,06	26,3	0,63	26,3	0,26	26,3	2,26	26,3	3,94	26,3	13,47	26,3
0,04	27,5	0,56	27,5	0,04	27,5	0,54	27,5	0,21	27,5	2,01	27,5	3,53	27,5	12,16	27,5
0,02	28,8	0,48	28,8	0,01	28,8	0,47	28,8	0,16	28,8	1,80	28,8	3,16	28,8	11,02	28,8
0,01	30,0	0,41	30,0			0,40	30,0	0,12	30,0	1,61	30,0	2,84	30,0	10,01	30,0

**Buckling**

2

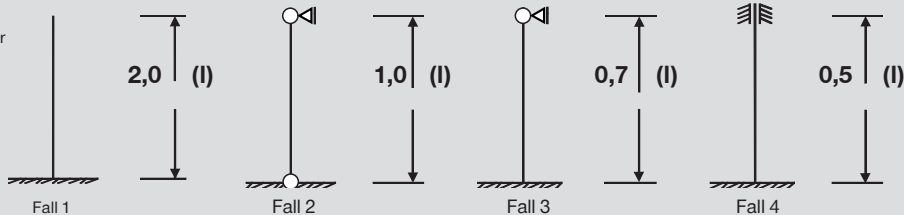
**Permissible buckling load for channel profile MT**

**trapeze profiles**



Buckling length Sk [cm]	MT-10 permissible buckling load [kN]	MT-15 / MT-15 OC permissible buckling load [kN]	MT-20 / MT-20 OC permissible buckling load [kN]	MT-30 / MT-30 OC permissible buckling load [kN]	MT-40 T / MT-40 T OC permissible buckling load [kN]	MT-40 / MT-40 OC permissible buckling load [kN]
25			29,40	30,51	33,00	
50			24,86	22,72	24,00	
75			19,67	15,10	15,56	
100			14,70	10,03	10,22	
125			10,86	7,02	7,11	
150	N/A	N/A	8,19	5,16	5,22	
175	N/A	N/A	6,33	3,96	3,99	
200			5,03	3,13	3,16	
225			4,08	2,54	2,56	
250			3,37	2,11	2,12	
275			2,83	1,78	1,79	
300			2,41	1,52	1,52	

**Flexural buckling:**  
Rod length l (cm) / euler factor β/Sk (cm) effective length = l · β



**Design note**

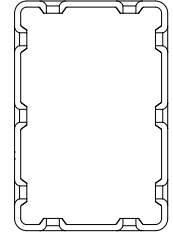
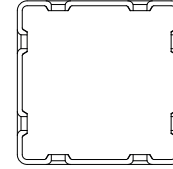
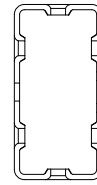
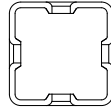
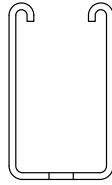
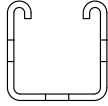
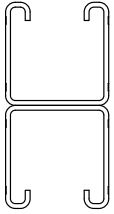
- Shown load values are recommended values with partial safety factors for actions and resistance included
- Design value = γ \* recommended value (γ = 1.4 for MT-10 to MT-70; γ = 1.5 for MT-80 to MT-100)
- The design resistance of the products is defined in accordance with EN1993
- Load tables are based on stress and deflection calculations, lateral torsional buckling is not considered
- MT-10 to MT-70:  $\gamma_{Ed,0} = 1,4 \rightarrow F_{d,0}^* = \text{permissible buckling load} \times 1,4$
- MT-80 to MT-100:  $\gamma_{Ed,0} = 1,5 \rightarrow F_{d,0}^* = \text{permissible buckling load} \times 1,5$

Flexural buckling:  
Sk = l · β  
Sk [cm]: buckling length  
l [cm]: channel/girder length  
β: Euler factor

\*(design value)

## open C-channels (struts)

## MT-closed profile

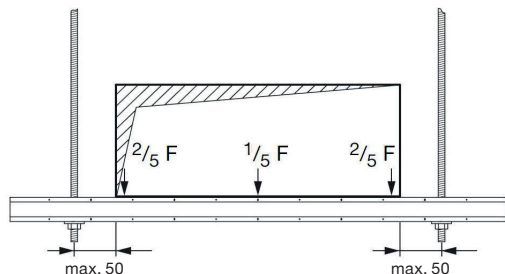


MT-40D / MT-40D OC permissible buckling load [kN]	MT-50 / MT-50 OC permissible buckling load [kN]	MT-60 / MT-60 OC permissible buckling load [kN]	MT-70 OC permissible buckling load [kN]	MT-80 OC permissible buckling load [kN]	MT-90 OC permissible buckling load [kN]	MT-100 OC permissible buckling load [kN]
87,97	55,68	68,93	99,01	128,31	219,78	350,41
80,21	47,92	52,16	90,61	118,07	210,74	336,93
72,00	39,23	36,33	81,79	107,42	202,00	323,55
62,95	30,58	25,80	72,10	95,79	193,28	310,24
53,45	23,51	19,47	61,82	83,33	184,34	296,65
44,43	18,32	15,55	51,88	70,94	175,02	282,54
36,66	14,62	12,97	43,12	59,66	165,24	267,77
30,34	11,94	11,18	35,87	50,05	155,00	252,31
25,32	9,97	9,86	30,04	42,18	144,40	236,27
21,35	8,46	8,86	25,40	35,81	133,67	219,89
18,20	7,29	8,06	21,68	30,67	123,05	203,52
15,67	6,36	7,41	18,70	26,51	112,80	187,54

## Ventilation

2

## Weights and channel selection for air ducts with insulation



The permissible stress  $\sigma_D / \gamma G / Q$  where  $\gamma = 1.4$ .  $\sigma_D$  results from the higher yield strength (point) resulting from cold forming as per EN 1993-1-3: 2010-12:  $\sigma_D = f_{yk} / \gamma_M$  where  $\gamma_M = 1.1$ .

- Square ventilation ducts according to DIN EN 1505 (zincod, folded) with insulation (30mm aluminium laminated rock wool)
- The stated weights are approximate values. Note the specifications from the manufacturers.

**Channel selection table: weight specification for mounting distance of 3,0m.**

- Weight in [kg / 3 m] calculated considering width/ height [mm] and sheet thickness [mm].
- Canal-connection Air duct connection parts (frame) are considered with a flat rate factor.

**Used limits are:**

- permissible stress capacity limit
- max allowable deflection of  $L / 200$
- lateral torsional buckling

Table is in kg for spacing of 3m

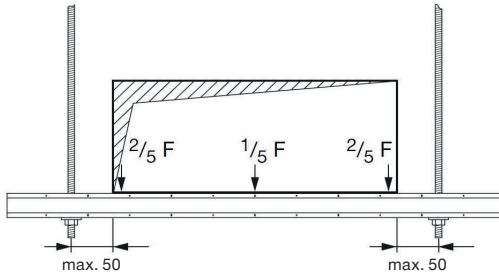
Sheet 0,75			Sheet 0,88						Sheet 1,0			
200	224	250	280	315	355	400	450	500	560	630	710	800
22,7	23,9	25,2	30,1	32,2	34,7	37,6	40,7	43,8	53,0	57,8	63,4	69,7
	25,1	26,4	31,6	33,7	36,3	39,1	42,2	45,3	54,6	59,5	65,1	71,3
		27,7	33,2	35,4	37,9	40,7	43,8	47,0	56,4	61,3	66,9	73,2
			35,1	37,3	39,8	42,6	45,7	48,8	58,5	63,4	69,0	75,2
				39,4	41,9	44,8	47,9	51,0	61,0	65,8	71,4	77,7
					44,5	47,3	50,4	53,5	63,8	68,6	74,2	80,5
						50,1	53,2	56,3	66,9	71,8	77,3	83,6
							56,3	59,5	70,4	75,2	80,8	87,1
								62,6	73,9	78,7	84,3	90,6
									78,0	82,9	88,5	94,8
										87,8	93,4	99,6
											98,9	105,2
												111,5

	MT-10
	MT-15
	MT-30
	MT-20 STANDING
	MT-40T
	MT-40
	MT-50
	MT-60
	MT-40D

		Sheet 1,13						Sheet 1,25				
900	1000	1120	1250	1400	1600	1800	2000	2240	2500	2800	3150	B/H
76,6	83,6	102,1	112,1	123,7	139,2	154,7	170,1	234,7	259,7	288,5		200
78,3	85,3	103,9	114,0	125,6	141,0	156,5	172,0	237,0	262,0	290,8		224
80,1	87,1	105,9	116,0	127,6	143,1	158,5	174,0	239,5	264,5	293,3		250
82,2	89,2	108,3	118,3	129,9	145,4	160,8	176,3	242,3	267,3	296,2		280
84,7	91,6	111,0	121,0	132,6	148,1	163,6	179,0	245,7	270,7	299,6		315
87,4	94,4	114,1	124,1	135,7	151,2	166,6	182,1	249,6	274,6	303,4		355
90,6	97,5	117,5	127,6	139,2	154,7	170,1	185,6	253,9	278,9	307,7		400
94,1	101,0	121,4	131,5	143,1	158,5	174,0	189,5	258,7	283,7	312,5		450
97,5	104,5	125,3	135,3	146,9	162,4	177,9	193,3	263,5	288,5	317,4		500
101,7	108,7	129,9	140,0	151,6	167,0	182,5	198,0	269,3	294,3	323,1		560
106,6	113,6	135,3	145,4	157,0	172,4	187,9	203,4	276,0	301,0	329,9		630
112,2	119,1	141,5	151,6	163,2	178,6	194,1	209,6	283,7	308,7	337,6		710
118,4	125,4	148,5	158,5	170,1	185,6	201,1	216,5	292,4	317,4	346,2		800
125,4	132,4	156,2	166,3	177,9	193,3	208,8	224,3	302,0	327,0	355,8		900
	139,4	163,9	174,0	185,6	201,1	216,5	232,0	311,6	336,6	365,4		1000
		173,2	183,3	194,9	210,3	225,8	241,3	323,1	348,1			1120
		183,3	193,3	204,9	220,4	235,9	251,3	335,6	360,6			1250
		194,9	204,9	216,5	232,0	247,5	262,9	350,1	375,1			1400
		210,3	220,4	232,0	247,5	262,9	278,4	369,3	394,3			1600
		225,8	235,9	247,5	262,9	278,4	293,8	388,5	413,5			1800
		241,3	251,3	262,9	278,4	293,8	309,3	407,8	432,8			2000
		259,8	269,9	281,5	296,9	312,4	327,9	430,8	455,8			2240
		279,9	290,0	301,6	317,0	332,5	348,0	455,8				2500
		303,1	313,2	324,8	340,2	355,7	371,2	484,7				2800
		330,2	340,2	351,8	367,3	382,8	398,2	518,3				3150

## Ventilation

2

**Weights and channel selection for air ducts without insulation**


The permissible stress  $\sigma_D / \gamma_G / Q$  where  $\gamma = 1.4$ .  $\sigma_D$  results from the higher yield strength (point) resulting from cold forming as per EN 1993-1-3: 2010-12:  $\sigma_D = f_{yk} / \gamma_M$  where  $\gamma_M = 1.1$ .

- Square ventilation ducts according to DIN EN 1505 (zincd, folded)
- The stated weights are approximate values. Note the specifications from the manufacturers.

**Channel selection table: weight specification for mounting distance of 3,0m.**

- Weight in [kg / 3 m] calculated considering width/ height [mm] and sheet thickness [mm].
- Canal-connection Air duct connection parts (frame) are considered with a flat rate factor.

**Used limits are:**

- permissible stress capacity limit
- max allowable deflection of  $L / 200$ .
- lateral torsional buckling

Table is in kg for spacing of 3m.

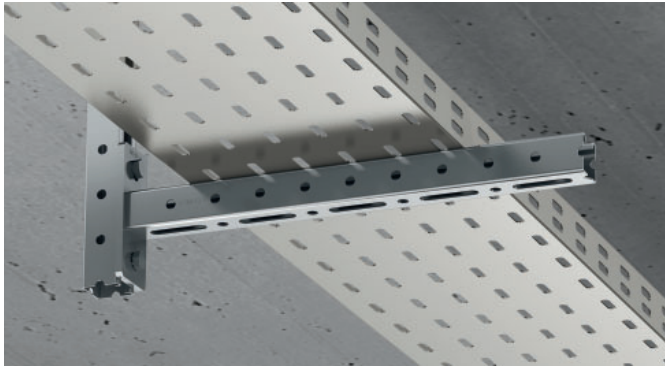
Sheet 0,75			Sheet 0,88						Sheet 1,0			
200	224	250	280	315	355	400	450	500	560	630	710	800
18,4	19,3	20,3	24,9	26,7	28,8	31,1	33,7	36,3	44,7	48,9	53,6	58,9
	20,3	21,3	26,1	27,9	30,0	32,3	34,9	37,5	46,2	50,3	55,0	60,3
		22,3	27,5	29,3	31,3	33,7	36,3	38,9	47,7	51,8	56,5	61,8
			29,0	30,8	32,9	35,2	37,8	40,4	49,5	53,6	58,3	63,6
				32,6	34,7	37,0	39,6	42,2	51,5	55,6	60,3	65,6
					36,8	39,1	41,7	44,3	53,9	58,0	62,7	68,0
						41,4	44,0	46,6	56,5	60,6	65,4	70,7
							46,6	49,2	59,5	63,6	68,3	73,6
								51,8	62,4	66,5	71,2	76,5
									65,9	70,1	74,8	80,1
										74,2	78,9	84,2
											83,6	88,9
												94,2

	MT-10
	MT-15
	MT-30
	MT-20 STANDING
	MT-40T
	MT-40
	MT-50
	MT-60
	MT-40D

		Sheet 1,13						Sheet 1,25				
900	1000	1120	1250	1400	1600	1800	2000	2240	2500	2800	3150	B/H
64,8	70,7	87,8	96,5	106,4	119,8	133,1	146,4	208,3	230,5	256,1	286,0	200
66,2	72,1	89,4	98,1	108,0	121,3	134,7	148,0	210,3	232,5	258,2	288,0	224
67,7	73,6	91,1	99,8	109,8	123,1	136,4	149,7	212,6	234,8	260,4	290,3	250
69,5	75,4	93,1	101,8	111,8	125,1	138,4	151,7	215,1	237,3	262,9	292,8	280
71,5	77,4	95,5	104,1	114,1	127,4	140,7	154,0	218,1	240,3	265,9		315
73,9	79,8	98,1	106,8	116,8	130,1	143,4	156,7	221,5	243,7	269,3		355
76,5	82,4	101,1	109,8	119,8	133,1	146,4	159,7	225,4	247,6	273,2		400
79,5	85,4	104,5	113,1	123,1	136,4	149,7	163,0	229,6	251,8	277,4		450
82,4	88,3	107,8	116,4	126,4	139,7	153,0	166,3	233,9	256,1	281,7		500
86,0	91,8	111,8	120,4	130,4	143,7	157,0	170,3	239,0	261,2	286,8		560
90,1	96,0	116,4	125,1	135,1	148,4	161,7	175,0	245,0	267,2	292,8		630
94,8	100,7	121,7	130,4	140,4	153,7	167,0	180,3	251,8	274,0	299,6		710
100,1	106,0	127,7	136,4	146,4	159,7	173,0	186,3	259,5	281,7	307,3		800
106,0	111,9	134,4	143,0	153,0	166,3	179,6	192,9	268,1	290,3	315,9		900
	117,8	141,0	149,7	159,7	173,0	186,3	199,6	276,6	298,8	324,4		1000
		149,0	157,7	167,7	181,0	194,3	207,6	286,8	309,0	334,6		1120
		157,7	166,3	176,3	189,6	202,9	216,2	297,9	320,1	345,7		1250
		167,7	176,3	186,3	199,6	212,9	226,2	310,7	332,9	358,5		1400
		181,0	189,6	199,6	212,9	226,2	239,5	327,8	350,0			1600
		194,3	202,9	212,9	226,2	239,5	252,8	344,9	367,1			1800
		207,6	216,2	226,2	239,5	252,8	266,1	362,0	384,2			2000
		223,5	232,2	242,2	255,5	268,8	282,1	382,5	404,6			2240
		240,8	249,5	259,5	272,8	286,1	299,4	404,6	426,8			2500
		260,8	269,4	279,4	292,7	306,0	319,3	430,3	452,5			2800
		284,1	292,7	302,7	316,0	329,3	342,6	460,1				3150

## MT Brackets

3


**Applications**

- Supporting pipe rings, ventilation ducts, cable trays and other MEP support hardware
- Mounting light-duty MEP installations on concrete and steel
- Suitable for use in dry, indoor environments

**Advantages**

- Part of the Hilti MT system – an economical, all-in-one solution for virtually all modular MEP support structures
- Economical – high load/weight ratio and rapid assembly make MT strut channel a more efficient alternative to welded MEP support structures
- Easy to install – compatible with the Hilti MT Twist-Lock, a faster alternative to spring nuts for assembling a modular support system

**Technical data**

Material composition	Q235 or better steel
Surface finish	Pre-galvanized - for dry indoor use only

**MT-BR-30 300 / 450 Bracket**

Order designation	Technical data	Sales pack quantity	Item number	
MT-BR-30 300	Dry indoor conditions (C1) Indoor with temporary condensation (C2)	12 pc	2271288	
MT-BR-30 450		16 pc	2271440	

**MT-BR-40 300 / 450 / 600 / 1000 Bracket**

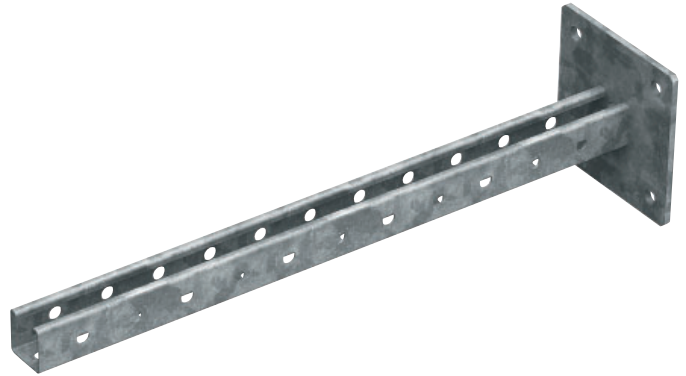
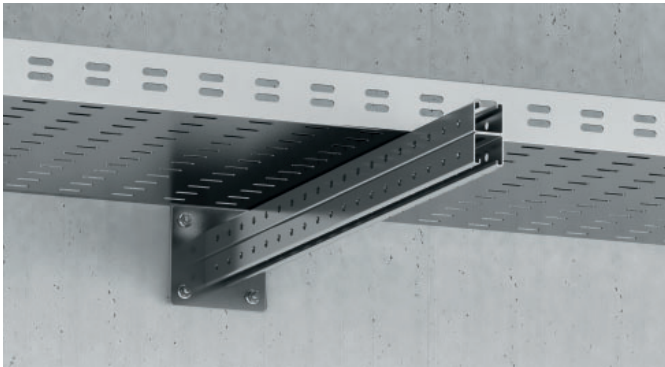
Order designation	Technical data	Sales pack quantity	Item number	
MT-BR-40 300	Dry indoor conditions (C1) Indoor with temporary condensation (C2)	10 pc	2271442	
MT-BR-40 450		10 pc	2271444	
MT-BR-40 600		10 pc	2271451	
MT-BR-40 1000		10 pc	2271446	

**MT-BR-40D 600 / 1000 Bracket**

Order designation	Technical data	Sales pack quantity	Item number	
MT-BR-40D 600	Dry indoor conditions (C1) Indoor with temporary condensation (C2)	6 pc	2271448	
MT-BR-40D1000		6 pc	2271450	



## MT Brackets - Outdoor



### Applications

- Supporting pipe rings, ventilation ducts, cable trays and other MEP support hardware
- Mounting light-duty MEP installations on concrete and steel
- Suitable for use in moderately corrosive environments

### Technical data

Material composition	Q235 or better steel
Surface finish	Hot-dip galvanized (56 µm ASTM A153M) for outdoor use

### Advantages

- Part of the Hilti MT system – an economical, all-in-one solution for virtually all modular MEP support structures
- Economical – high load/weight ratio and rapid assembly make MT strut channel a more efficient alternative to welded MEP support structures
- Easy to install – compatible with the Hilti MT Twist-Lock for assembling a modular support system
- Comes also with four anchorage holes versions for enhanced resistance against lateral forces

## MT-BR-30 300 / 450 OC Bracket - Outdoor

Order designation	Technical data	Sales pack quantity	Item number	
MT-BR-30 300 OC	Outdoor, low to moderate pollution (C3 / C4 - low)	12 pc	2271289	
MT-BR-30 450 OC		16 pc	2271441	

## MT Brackets - Outdoor

3

### MT-BR-40 300 / 450 / 600 / 1000 OC Bracket - Outdoor

Order designation	Technical data	Sales pack quantity	Item number	
MT-BR-40 300 OC	Outdoor, low to moderate pollution (C3 / C4 - low)	10 pc	2271443	
MT-BR-40 450 OC		10 pc	2271445	
MT-BR-40 600 OC		10 pc	2271452	
MT-BR-40 1000 OC		10 pc	2271447	

### MT-BR-40 O4 600 / 1000 OC Bracket - Outdoor

Order designation	Technical data	Sales pack quantity	Item number	
MT-BR-40 O4 600 OC	Outdoor, low to moderate pollution (C3 / C4 - low)	4 pc	2271455	
MT-BR-40 O4 1000 OC		4 pc	2271456	

### MT-BR-40D 600 / 1000 OC Bracket - Outdoor

Order designation	Technical data	Sales pack quantity	Item number	
MT-BR-40D 600	Outdoor, low to moderate pollution (C3 / C4 - low)	6 pc	2271449	
MT-BR-40D 1000		6 pc	2271453	

### MT-BR-40D O4 600 / 1000 / 1500 OC Bracket - Outdoor

Order designation	Technical data	Sales pack quantity	Item number	
MT-BR-40D O4 600 OC	Outdoor, low to moderate pollution (C3 / C4 - low)	4 pc	2271459	
MT-BR-40D O4 1000 OC		4 pc	2271461	
MT-BR-40D O4 1500 OC		2 pc	2271287	

## MT Brackets - Outdoor

### Technical data for brackets (Hot-dip galvanized)

		HST3 M10 / HUS3-H / HUS4-H 8	HST3 M10 / HUS3-H / HUS4-H 8	HST3 M10 / HUS3-H / HUS4-H 8	HST3 M10 / HUS3-H / HUS4-H 8	HST3 M10 / HUS3-H / HUS4-H 8
Bracket without bracing	L	F1	F1	F1	F2	F3
	[mm]	N	N	N	N	N
MT-BR-30/300 / OC	300	549	549	362	274	183
MT-BR-30/450 / OC	450	433	433	249	217	144

### Technical data for brackets (Hot-dip galvanized)

		HST3 M12 / HUS3-H / HUS4-H	HST3 M12 / HUS3-H / HUS4-H	HST3 M12 / HUS3-H / HUS4-H	HST3 M12 / HUS3-H / HUS4-H	HST3 M12 / HUS3-H / HUS4-H
Bracket without bracing	L	F1	F1	F1	F2	F3
	[mm]	N	N	N	N	N
MT-BR-40/300 / OC	300	2491	2491	1568	1246	830
MT-BR-40/450 / OC	450	1921	1921	1142	960	640
MT-BR-40/600 / OC	600	1561	1561	669	781	520
MT-BR-40/1000 / OC	1000	629	755	236	354	229
MT-BR-40 O4/600 OC	600	1416	1416	669	708	472
MT-BR-40 O4/1000 OC	1000	629	755	236	354	229
MT-BR-40D/600 / OC	600	2428	2428	1365	1214	809
MT-BR-40D/1000 / OC	1000	1579	1579	851	789	526
MT-BR-40D O4/600 OC	600	3511	3511	2035	1755	1170
MT-BR-40D O4/1000 OC	1000	2347	2347	1246	1174	782
MT-BR-40D O4/1500 OC	1500	1441	1642	540	810	524

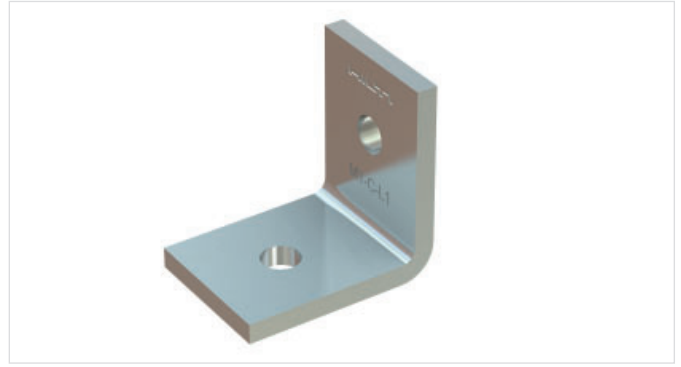
### Design resistance

anchors HST3 M12 with anchorage depth of hef=70mm  
 anchors HST3 M10 with anchorage depth of hef=60mm  
 anchors HUS3H 10 with anchorage depth of hef=67mm  
 anchors HUS3H 8 with anchorage depth of hef=55mm  
 cracked concrete <sup>3</sup> C20/25  
 anchor resistance based on infinite edge distance  
 all holes must be filled with Hilti HIT-HY dynamic set  
 all anchors must work for shear, therefore holes must be filled with Hilti HIT-HY dynamic set  
 maximum deflection of L/150 considered  
 self weight of channel considered

## MT Open C-channel (Strut) Connectors

### 90° Connectors

4



#### Applications

- Right-angle connections between any MT profiles
- Assembling 2D metal framing for MEP support structures with light loads
- Suitable for use in dry, indoor environments

#### Advantages

- Part of the Hilti MT system – an economical, all-in-one solution for virtually all modular MEP support structures
- Easy to install – compatible with the Hilti MT Twist-Lock, a faster alternative to spring nuts for assembling a modular support system
- Adaptable – unlike welding, angle brackets allow you to modify strut channel framing during installation and for future MEP requirements
- MT-C-T 3D connectors provide 3D frame possibilities
- MT-C-T/1 provides an alternative to using vertical double channels
- MT-C-T A has a threaded hole on its short face, enabling the easy fixation of C-channels through the backside using a MT-CTAB bolt

#### Technical data

Material composition	see detailed table
Surface finish	Pre-galvanized - for dry indoor use only

#### MT-C-L1 Connector

Order Designation	Material composition	Technical data	Sales pack quantity	Item number	
MT-C-L1	Q355 or better steel	Dry indoor conditions (C1) Indoor with temporary condensation (C2)	20 pc	2271514	

#### MT-C-L2 Connector

Order Designation	Material composition	Technical data	Sales pack quantity	Item number	
MT-C-L2	Q355 or better steel	Dry indoor conditions (C1) Indoor with temporary condensation (C2)	20 pc	2271518	

## MT Open C-channel (Strut) Connectors

### 90° Connectors

#### MT-C-LL1 Connector

Order Designation	Material composition	Technical data	Sales pack quantity	Item number	
MT-C-LL1	Q355 or better steel	Dry indoor conditions (C1) Indoor with temporary condensation (C2)	10 pc	2272047	

#### MT-C-LL2 Connector

Order Designation	Material composition	Technical data	Sales pack quantity	Item number	
MT-C-LL2	Q355 or better steel	Dry indoor conditions (C1) Indoor with temporary condensation (C2)	10 pc	2272051	

#### MT-C-T/2 Connector

Order Designation	Material composition	Technical data	Sales pack quantity	Item number	
MT-C-T/2	Q355 or better steel	Dry indoor conditions (C1) Indoor with temporary condensation (C2)	15 pc	2272054	

#### MT-C-T A Connector

Order Designation	Material composition	Technical data	Sales pack quantity	Item number	
MT-C-T A	Q355 or better steel	Dry indoor conditions (C1) Indoor with temporary condensation (C2)	20 pc	2272056	

## MT Open C-channel (Strut) Connectors

### 90° Connectors

#### MT-C-T/1 Connector

Order Designation	Material composition	Technical data	Sales pack quantity	Item number	
MT-C-T/1	Q355 or better steel	Dry indoor conditions (C1) Indoor with temporary condensation (C2)	20 pc	2272040	

#### MT-C-T 3D/2 Connector

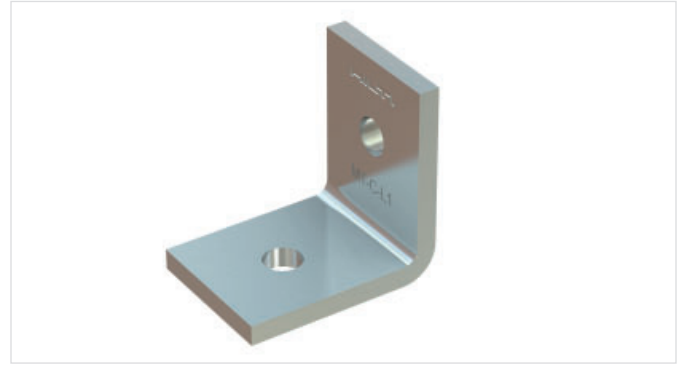
Order Designation	Material composition	Technical data	Sales pack quantity	Item number	
MT-C-T 3D/2	Q355 or better steel	Dry indoor conditions (C1) Indoor with temporary condensation (C2)	10 pc	2272058	

#### MT-C-T 3D/3 Connector

Order Designation	Material composition	Technical data	Sales pack quantity	Item number	
MT-C-T 3D/3	Q355 or better steel	Dry indoor conditions (C1) Indoor with temporary condensation (C2)	10 pc	2272060	

## MT Open C-channel (Strut) Connectors

90° Connectors - Outdoor



4

### Applications

- Right-angle connections between any MT profiles
- Assembling 2D metal framing for MEP support structures with light loads
- Suitable for use in moderately corrosive environments

### Technical data

Material composition	Q355 or better steel
Surface finish	Hot-dip galvanized - for outdoor use

### Advantages

- Part of the Hilti MT system – an economical, all-in-one solution for virtually all modular MEP support structures
- Easy to install – compatible with the Hilti MT Twist-Lock, a faster alternative to spring nuts for assembling a modular support system
- Adaptable – unlike welding, angle brackets allow you to modify strut channel framing during installation and for future MEP requirements
- MT-C-T 3D connectors provide 3D frame possibilities
- MT-C-T/1 provides an alternative to using vertical double channels
- MT-C-T A has a threaded hole on its short face, enabling the easy fixation of C-channels through the backside using a MT-CTAB bolt

### MT-C-L1 OC Connector - Outdoor

Order Designation	Material composition	Technical data	Sales pack quantity	Item number	
MT-C-L1 OC	Q355 or better steel	Outdoor, low to moderate pollution (C3 / C4 - low)	20 pc	2271516	

### MT-C-L2 OC Connector - Outdoor

Order Designation	Material composition	Technical data	Sales pack quantity	Item number	
MT-C-L2 OC	Q355 or better steel	Outdoor, low to moderate pollution (C3 / C4 - low)	20 pc	2271519	

## MT Open C-channel (Strut) Connectors

### 90° Connectors - Outdoor

4

#### MT-C-LL1 OC Connector - Outdoor

Order Designation	Material composition	Technical data	Sales pack quantity	Item number	
MT-C-LL1 OC	Q355 or better steel	Outdoor, low to moderate pollution (C3 / C4 - low)	10 pc	2272049	

#### MT-C-LL2 OC Connector - Outdoor

Order Designation	Material composition	Technical data	Sales pack quantity	Item number	
MT-C-LL2 OC	Q355 or better steel	Outdoor, low to moderate pollution (C3 / C4 - low)	10 pc	2272053	

#### MT-C-T/2 OC Connector - Outdoor

Order Designation	Material composition	Technical data	Sales pack quantity	Item number	
MT-C-T/2 OC	Q355 or better steel	Outdoor, low to moderate pollution (C3 / C4 - low)	15 pc	2272055	

#### MT-C-T A OC Connector - Outdoor

Order Designation	Material composition	Technical data	Sales pack quantity	Item number	
MT-C-T A OC	Q355 or better steel	Outdoor, low to moderate pollution (C3 / C4 - low)	20 pc	2272057	

#### MT-C-T/1 OC Connector - Outdoor

Order Designation	Material composition	Technical data	Sales pack quantity	Item number	
MT-C-T/1 OC	Q355 or better steel	Outdoor, low to moderate pollution (C3 / C4 - low)	20 pc	2272042	



## MT Open C-channel (Strut) Connectors

### MT-C-T 3D/2 OC Connector - Outdoor

Order Designation	Material composition	Technical data	Sales pack quantity	Item number	
MT-C-T 3D/2 OC	Q355 or better steel	Outdoor, low to moderate pollution (C3 / C4 - low)	10 pc	2272059	

### MT-C-T 3D/3 OC Connector - Outdoor

Order Designation	Material composition	Technical data	Sales pack quantity	Item number	
MT-C-T 3D/3 OC	Q355 or better steel	Outdoor, low to moderate pollution (C3 / C4 - low)	10 pc	2272061	

### Technical data Connector

Item image	Load drawing	Order Designation	+ Fz	- Fz	± Fx	± Fy
		MT-C-L1 / MT-C-L1 OC	4,0 kN	3,3 kN	3,3 kN	-
		MT-C-L2 / MT-C-L2 OC	8,8 kN	5,7 kN	2,8 kN	1,1 kN
		MT-C-LL1 / MT-C-LL1 OC	5,9 kN	5,8 kN	5,8 kN	0,9 kN
		MT-C-LL2 / MT-C-LL2 OC	4,6 kN	4,1 kN	4,1 kN	0,6 kN

#### Design note

- Shown load values are recommended values with partial safety factors for actions and resistance included
- Design value = 1.4 \* recommended value
- The design resistance of the products is defined in accordance with EN1993

# MT Open C-channel (Strut) Connectors

## 90° Connectors

### Technical data Connector

4

Item image	Load drawing	Order Designation	+ Fz	- Fz	± Fx	± Fy
		MT-C-T/1 / MT-C-T/1 OC	2,8 kN	3,9 kN	4,6 kN	0,9 kN
		MT-C-T/2 / MT-C-T/2 OC	2,6 kN	2,6 kN	8,1 kN	1,1 kN
		MT-C-T 3D/2 / MT-C-T 3D/2 OC	2,6 kN	1,5 kN	1,6 kN	0,5 kN
		MT-C-T 3D/3 / MT-C-T 3D/3 OC	2,2 kN	2,2 kN	3,6 kN	0,8 kN
		MT-C-T A / MT-C-T A OC	2,0 kN	2,0 kN	6,3 kN	2,0 kN

**Design note**

- Shown load values are recommended values with partial safety factors for actions and resistance included
- Design value = 1,4 \* recommended value
- The design resistance of the products is defined in accordance with EN1993

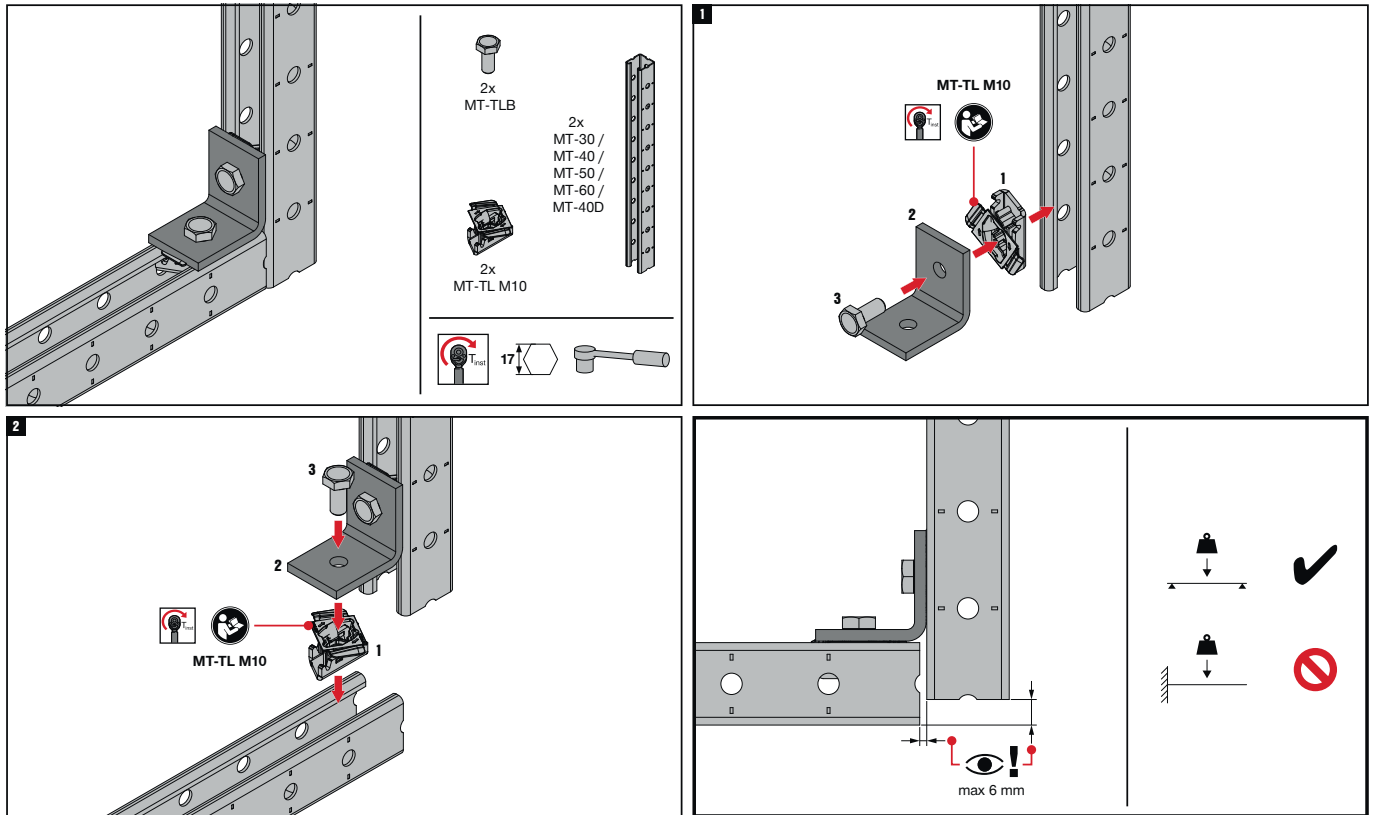
# MT Open C-channel (Strut) Connectors

## 90° Connectors

### Operation Instruction

#### MT-C-L1 / MT-C-L1 OC

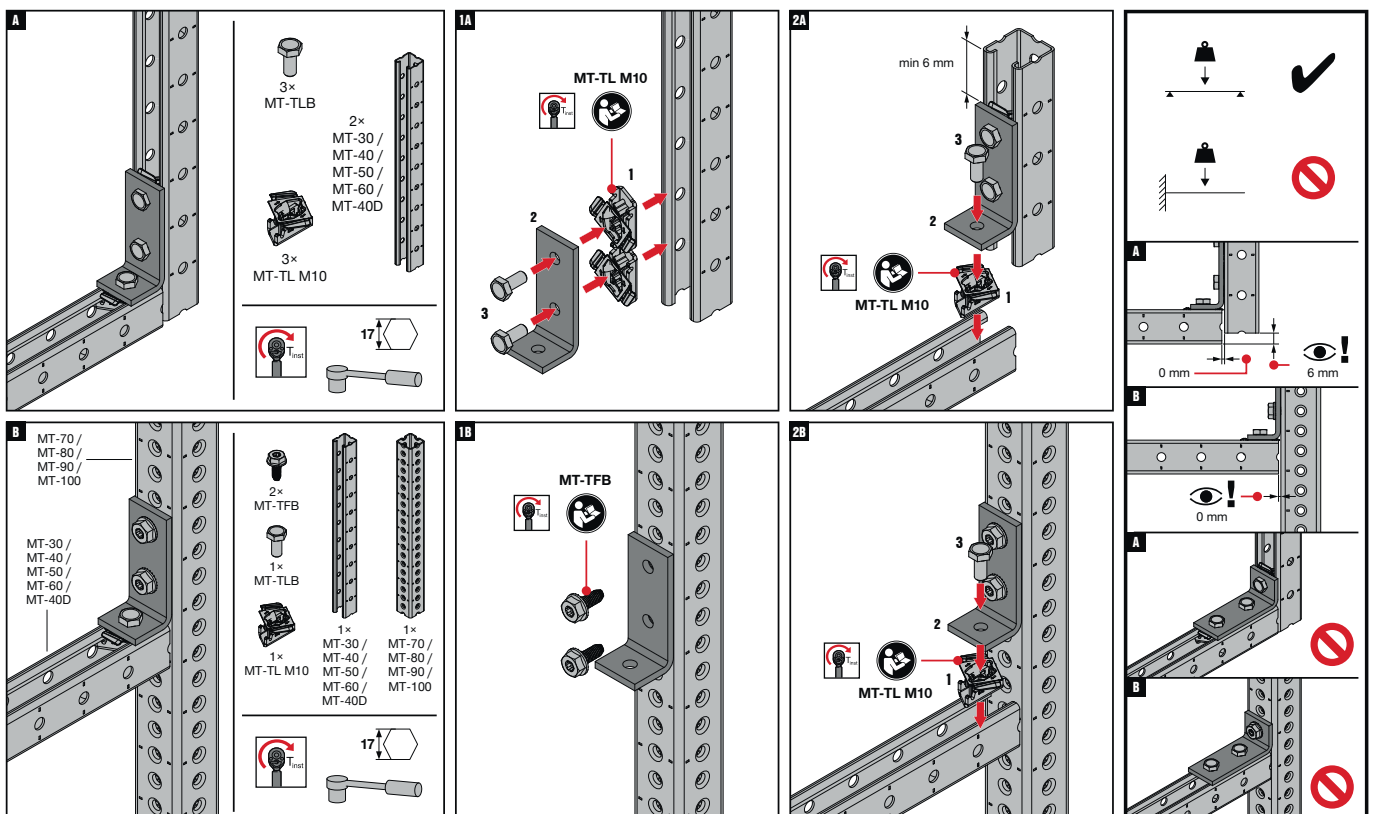
2288322-06.2020



The latest IFU (Instruction For Use) is available on Hilti Online. Please check for any revisions before installing the product.

#### MT-C-L2 / MT-C-L2 OC

2288323-07.2020



The latest IFU (Instruction For Use) is available on Hilti Online. Please check for any revisions before installing the product.

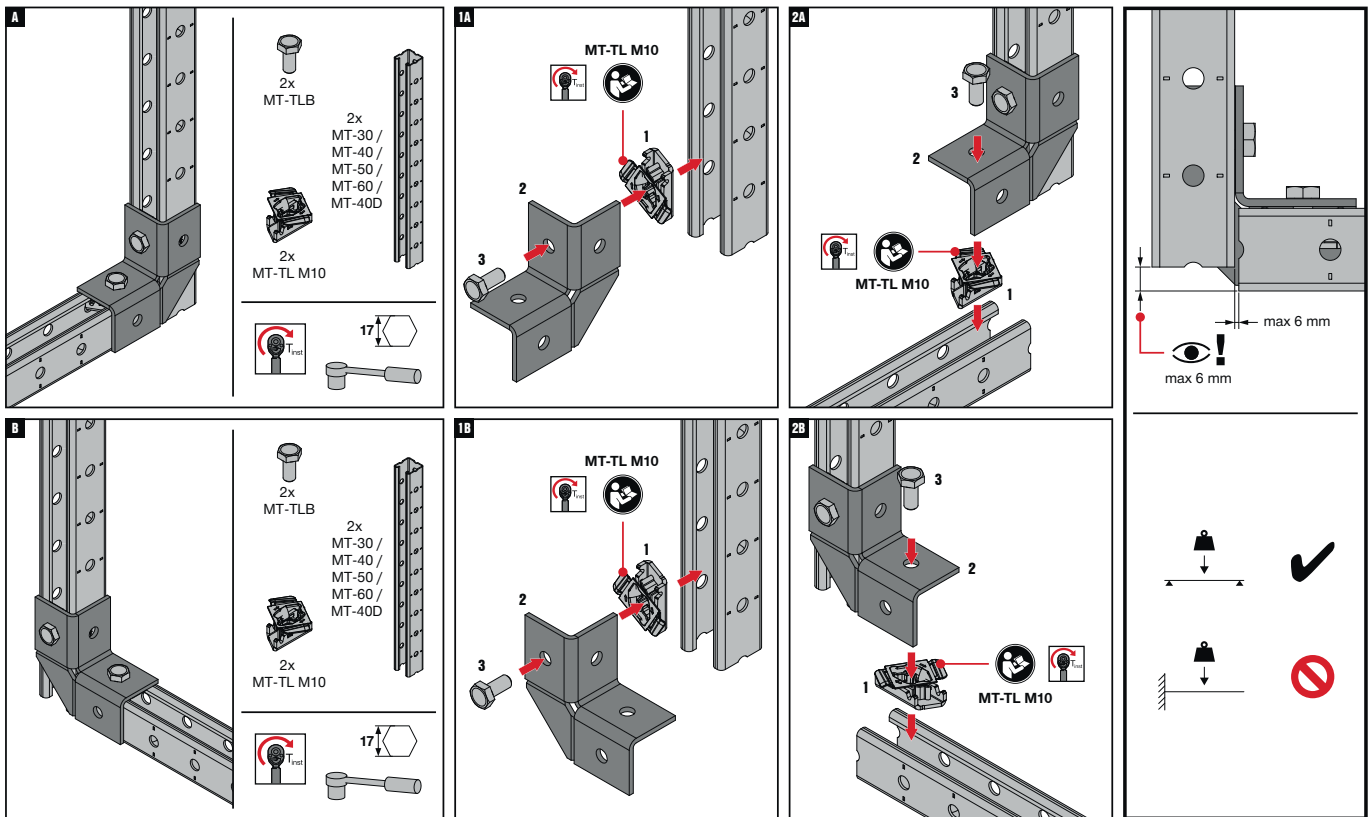
# MT Open C-channel (Strut) Connectors

## 90° Connectors

### Operation Instruction

#### MT-C-LL1 / MT-C-LL1 OC

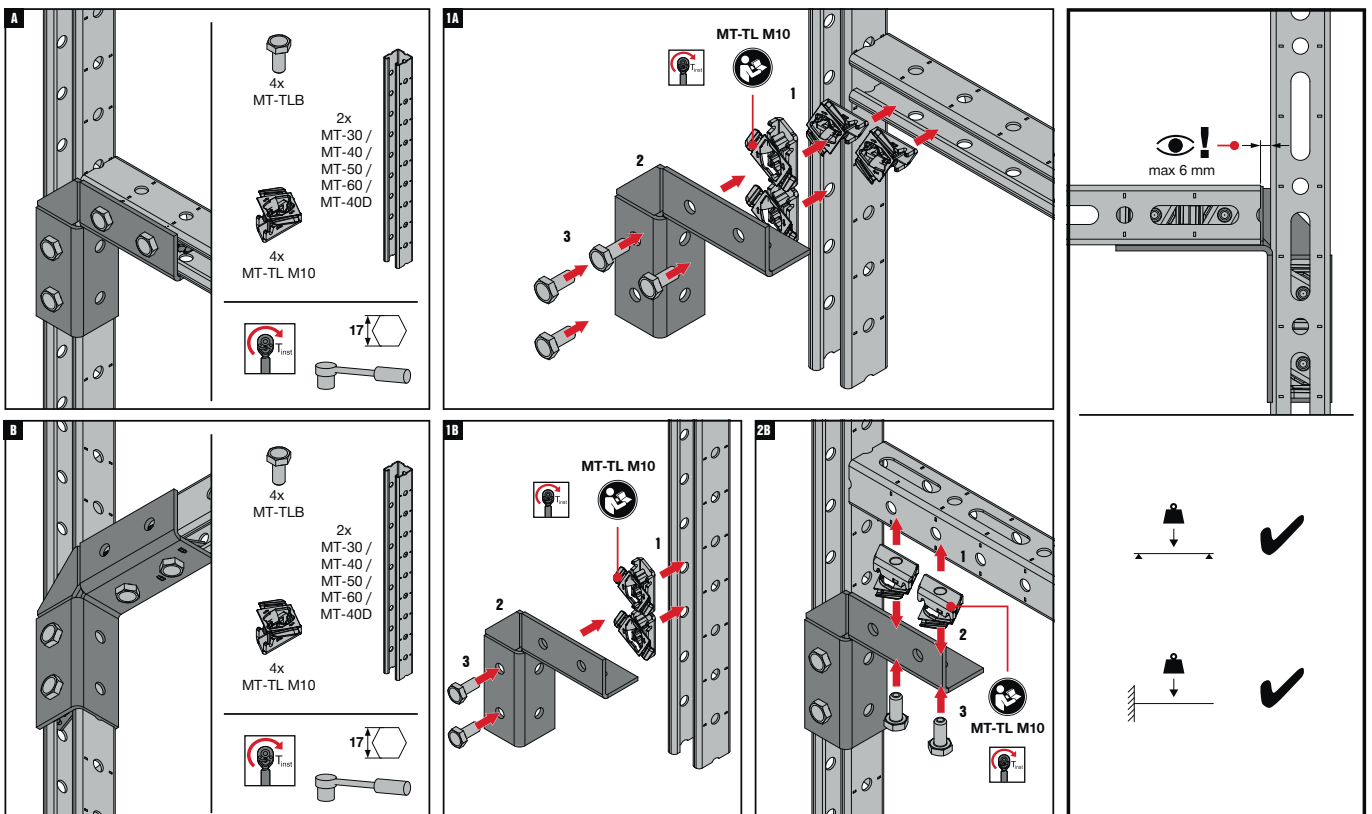
2288324-09.2020



The latest IFU (Instruction For Use) is available on Hilti Online. Please check for any revisions before installing the product.

#### MT-C-LL2 / MT-C-LL2 OC

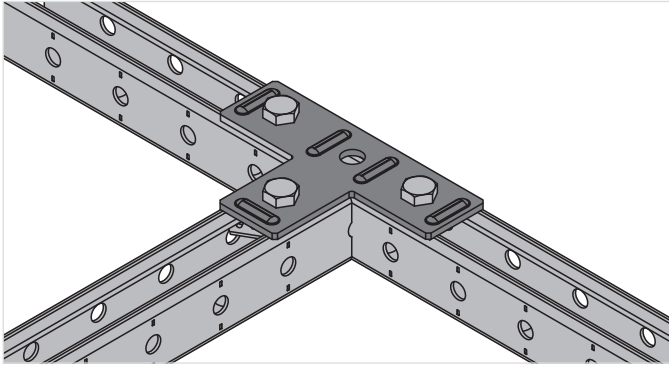
2288325-06.2020



The latest IFU (Instruction For Use) is available on Hilti Online. Please check for any revisions before installing the product.

## MT Open C-channel (Strut) Connectors

### Channel Ties



#### Applications

- Connecting two MT strut channels together
- Compatible with multiple MT strut channels
- Suitable for use in dry, indoor environments

#### Advantages

- Adjustable – easily fit and repositioned along strut channels
- Compatible with Twist-Lock channel connectors – for much faster, adaptable assembly

#### Technical data

Material composition	Q235 or better steel
Surface finish	Indoor Coated - Electro galvanized

#### MT-CT-H2 Channel Tie

Order Designation	Technical data	Sales pack quantity	Item number	
MT-CT-H2	Dry indoor conditions (C1) Indoor with temporary condensation (C2)	15 pc	2322405	

#### MT-CT-H4 Channel Tie

Order Designation	Technical data	Sales pack quantity	Item number	
MT-CT-H4	Dry indoor conditions (C1) Indoor with temporary condensation (C2)	15 pc	2322408	

## MT Open C-channel (Strut) Connectors

### Channel Ties

4

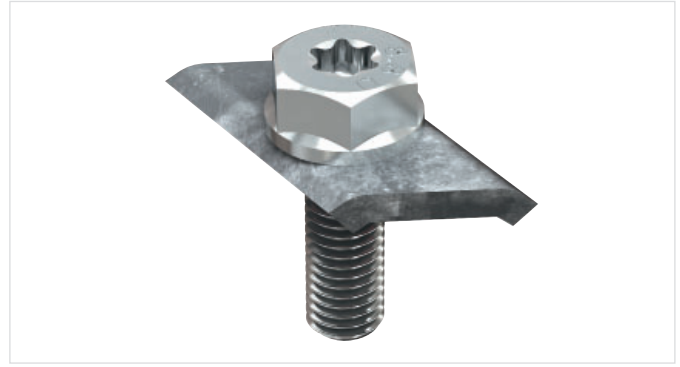
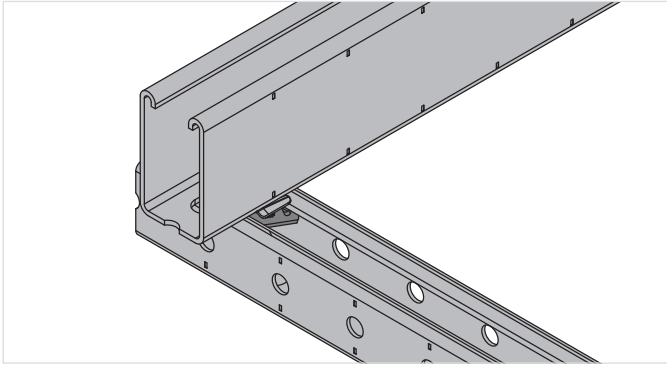
#### MT-CT-H5 Channel Tie

Order Designation	Technical data	Sales pack quantity	Item number	
<b>MT-CT-H5</b>	Dry indoor conditions (C1) Indoor with temporary condensation (C2)	8 pc	<b>2322406</b>	

#### MT-CT-T Channel Tie

Order Designation	Technical data	Sales pack quantity	Item number	
<b>MT-CT-T</b>	Dry indoor conditions (C1) Indoor with temporary condensation (C2)	12 pc	<b>2322407</b>	

## MT Open C-channel (Strut) Connectors



### Applications

- Fastening horizontal MT strut channel to vertical MT closed profiles, such as for integrated raised floors in data centers
- Suitable for use in dry, indoor environments

### Advantages

- Part of the Hilti MT system – an economical, all-in-one solution for virtually all modular MEP support structures
- To be used with the MT-C-T A connector

### Technical data

Material composition	see detailed table
Surface finish	see detailed table

## MT-C-T A Connector

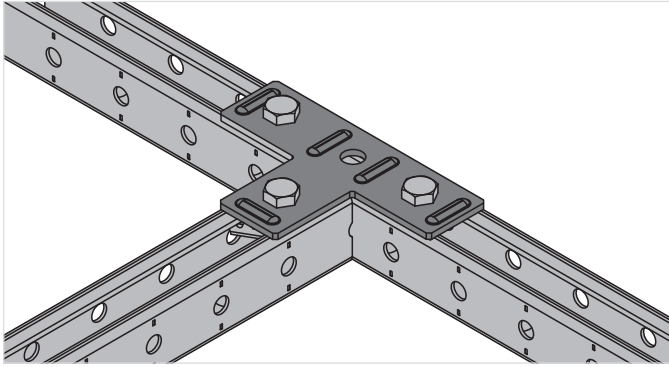
Order Designation	Material composition	Surface finish	Technical data	Sales pack quantity	Item number	
MT-C-T A	Q355 or better steel	Pre-galvanized - for dry indoor use only	Dry indoor conditions (C1) Indoor with temporary condensation (C2)	20 pc	2272056	

## MT-CTAB Connector Bolt

Order Designation	Material composition	Surface finish	Technical data	Sales pack quantity	Item number	
MT-CTAB	Q355 or better steel	Indoor Coated - Electro galvanized	Dry indoor conditions (C1) Indoor with temporary condensation (C2)	100pc	2332797	

## MT Open C-channel (Strut) Connectors - Outdoor Channel Ties

4



### Applications

- Connecting two MT strut channels together
- Suitable for use in moderately corrosive environments

### Advantages

- Adjustable – easily fit and repositioned along strut channels
- Compatible with Twist-Lock channel connectors – for much faster, adaptable assembly

### Technical data

Material composition	Q235 or better steel
Surface finish	Outdoor Coated - HDG

### MT-CT-H2 OC Channel Tie - Outdoor

Order Designation	Technical Data	Sales pack quantity	Item number	
MT-CT-H2 OC	Outdoor, low to moderate pollution (C3 / C4 - low)	15 pc	2322409	

### MT-CT\_H4 OC Channel Tie - Outdoor

Order Designation	Technical Data	Sales pack quantity	Item number	
MT-CT-H4 OC	Outdoor, low to moderate pollution (C3 / C4 - low)	15 pc	2322412	



## MT Open C-channel (Strut) Connectors - Outdoor Channel Ties

### MT-CT-T OC Channel Tie - Outdoor

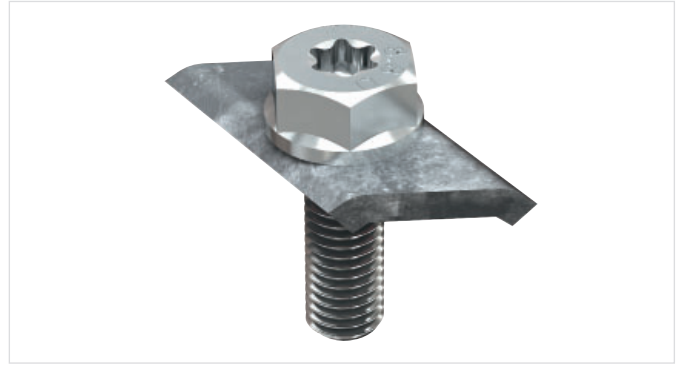
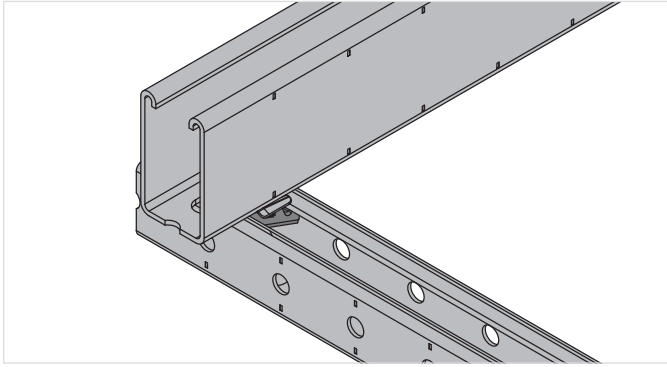
Order Designation	Technical Data	Sales pack quantity	Item number	
<b>MT-CT-T OC</b>	Outdoor, low to moderate pollution (C3 / C4 - low)	12 pc	<b>2322411</b>	

### MT-CT-H5 OC Channel Tie - Outdoor

Order Designation	Technical Data	Sales pack quantity	Item number	
<b>MT-CT-H5 CO</b>	Outdoor, low to moderate pollution (C3 / C4 - low)	8 pc	<b>2322410</b>	

## MT Open C-channel (Strut) Connectors

### Connectors - Outdoor



#### Applications

- Connecting two MT strut channels together
- Suitable for use in moderately corrosive environments

#### Advantages

- Adjustable – easily fit and repositioned along strut channels
- To be used with the MT-C-T A connector

#### Technical data

Material composition	Q235 or better steel
Surface finish	Outdoor Coated - HDG

### MT-C-T A OC Connector - Outdoor

Order Designation	Material composition	Technical data	Sales pack quantity	Item number	
MT-C-T A OC	Q355B - GB/T 700	Outdoor, low to moderate pollution (C3 / C4 - low)	20 pc	2272057	

### MT-CTAB OC Connector Bolt - Outdoor

Order Designation	Material composition	Technical data	Sales pack quantity	Item number	
MT-CTAB OC	Q235 or better steel	Outdoor, low to moderate pollution (C3 / C4 - low)	100 pc	2332788	

## MT Open C-channel (Strut) Connectors

### Channel Ties

#### Technical data MT Channel Ties

Item image	Load drawing	Order Designation	+ Fz	± Fx	± Fy
		MT-CT-H2 / MT-CT-H2 OC	1,8 kN	2,6 kN	1,8 kN
		MT-CT-H4 / MT-CT-H4 OC	5,7 kN	5,0 kN	3,6 kN
		MT-CT-H5 / MT-CT-H5 OC	2,6 kN	3,4 kN	3,4 kN
		MT-CT-T / MT-CT-T OC	2,3 kN	5,1 kN	1,6 kN

#### Design note

- Shown load values are recommended values with partial safety factors for actions and resistance included
- Design value = 1.4 \* recommended value
- The design resistance of the products is defined in accordance with EN1993

#### Technical Data MT Channel Connector

Item image	Load drawing	Order Designation	+ Fz	- Fz	± Fx	± Fy
		MT-C-T A / MT-C-T A OC	2,0 kN	2,0 kN	10,0 kN	2,0 kN

#### Design note

- Shown load values are recommended values with partial safety factors for actions and resistance included
- Design value = 1.4 \* recommended value
- The design resistance of the products is defined in accordance with EN1993

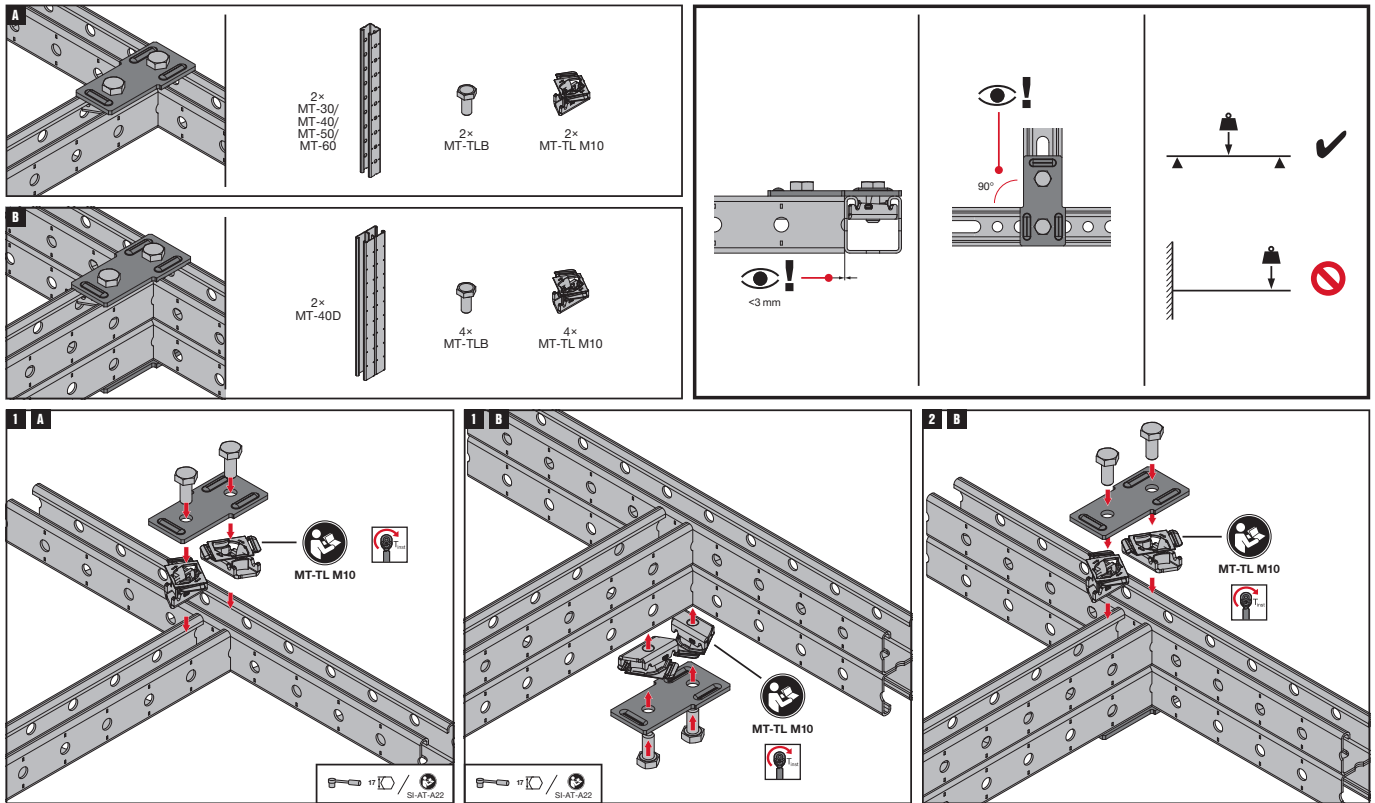
# MT Open C-channel (Strut) Connectors

## Channel Ties

### Operation Instruction

#### MT-CT-H2

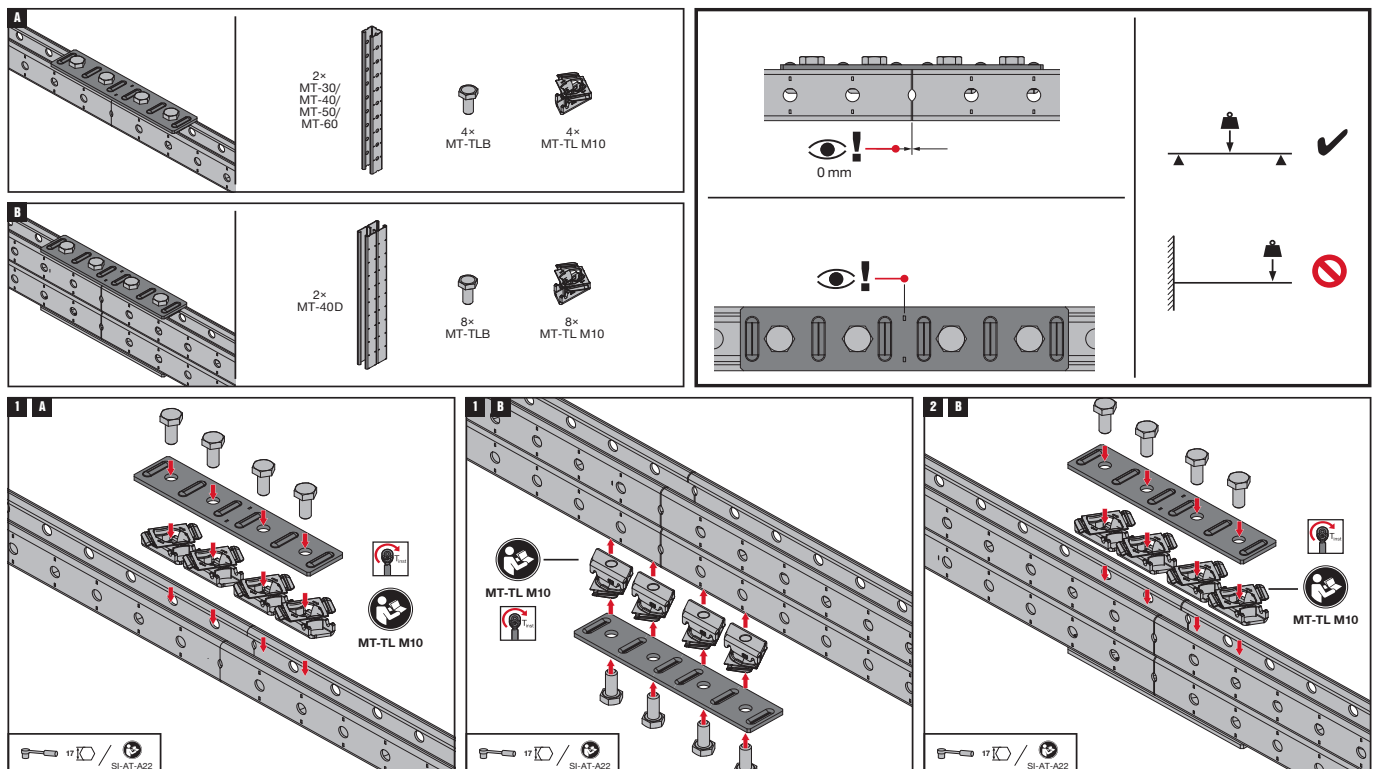
2325257-04.2021



The latest IFU (Instruction For Use) is available on Hilti Online. Please check for any revisions before installing the product.

#### MT-CT-H4

2327511-04.2021



The latest IFU (Instruction For Use) is available on Hilti Online. Please check for any revisions before installing the product.

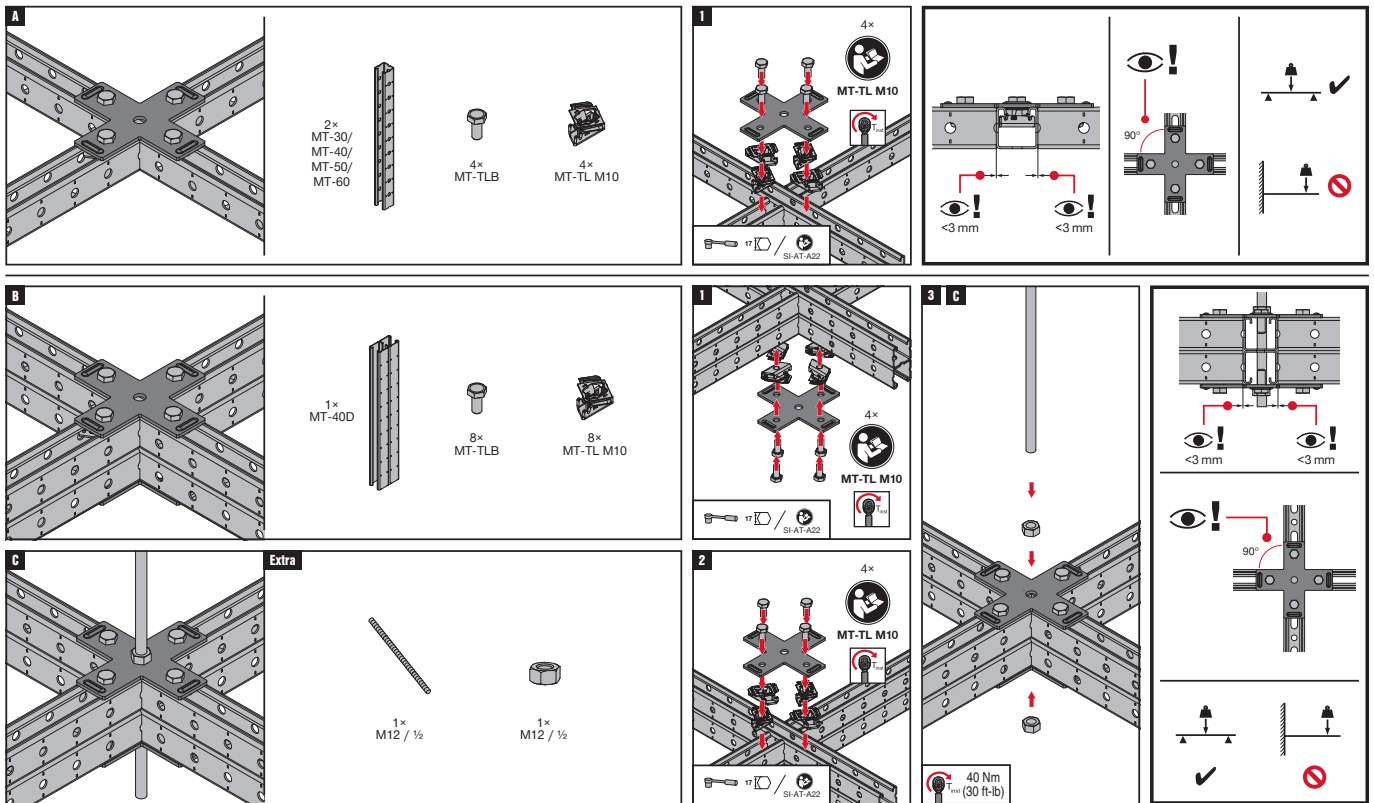
# MT Open C-channel (Strut) Connectors

## Channel Ties

### Operation Instruction

#### MT-CT-H5

2325301-04.2021

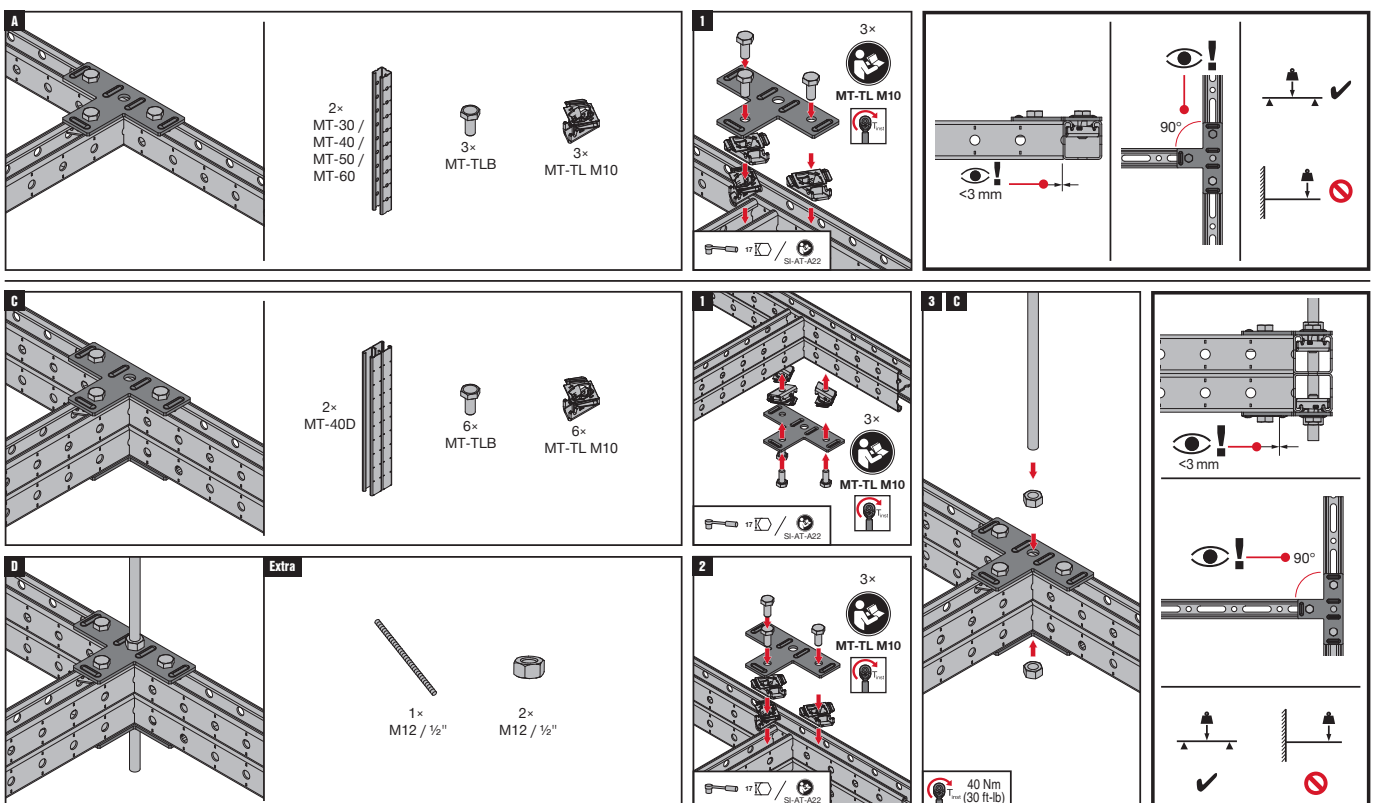


The latest IFU (Instruction For Use) is available on Hilti Online. Please check for any revisions before installing the product.

### Operation Instruction

#### MT-CT-T

2325310-04.2021

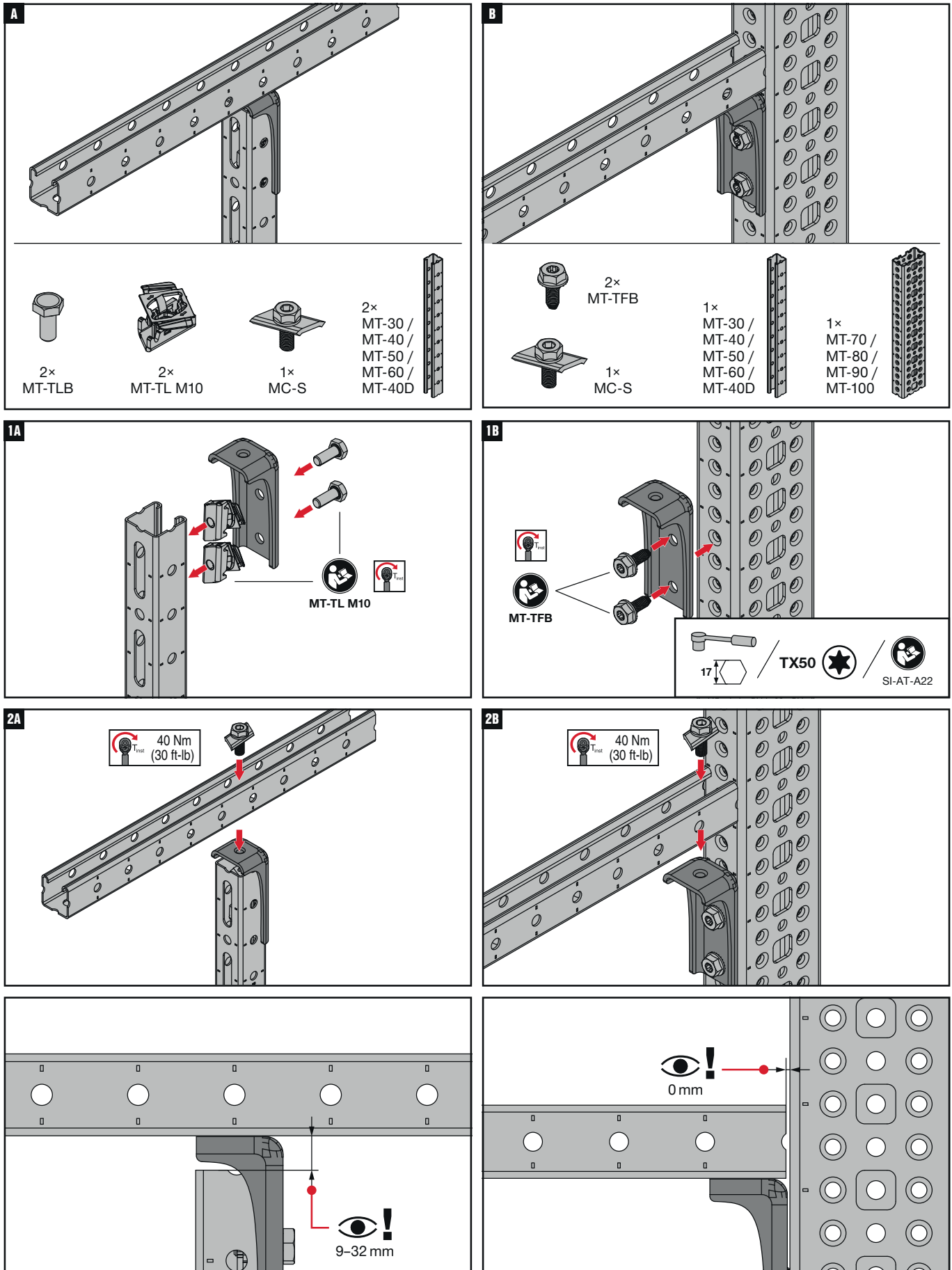


The latest IFU (Instruction For Use) is available on Hilti Online. Please check for any revisions before installing the product.

# MT Open C-channel (Strut) Connectors

4

## Operation Instruction MT-C-T A / MT-C-T A OC

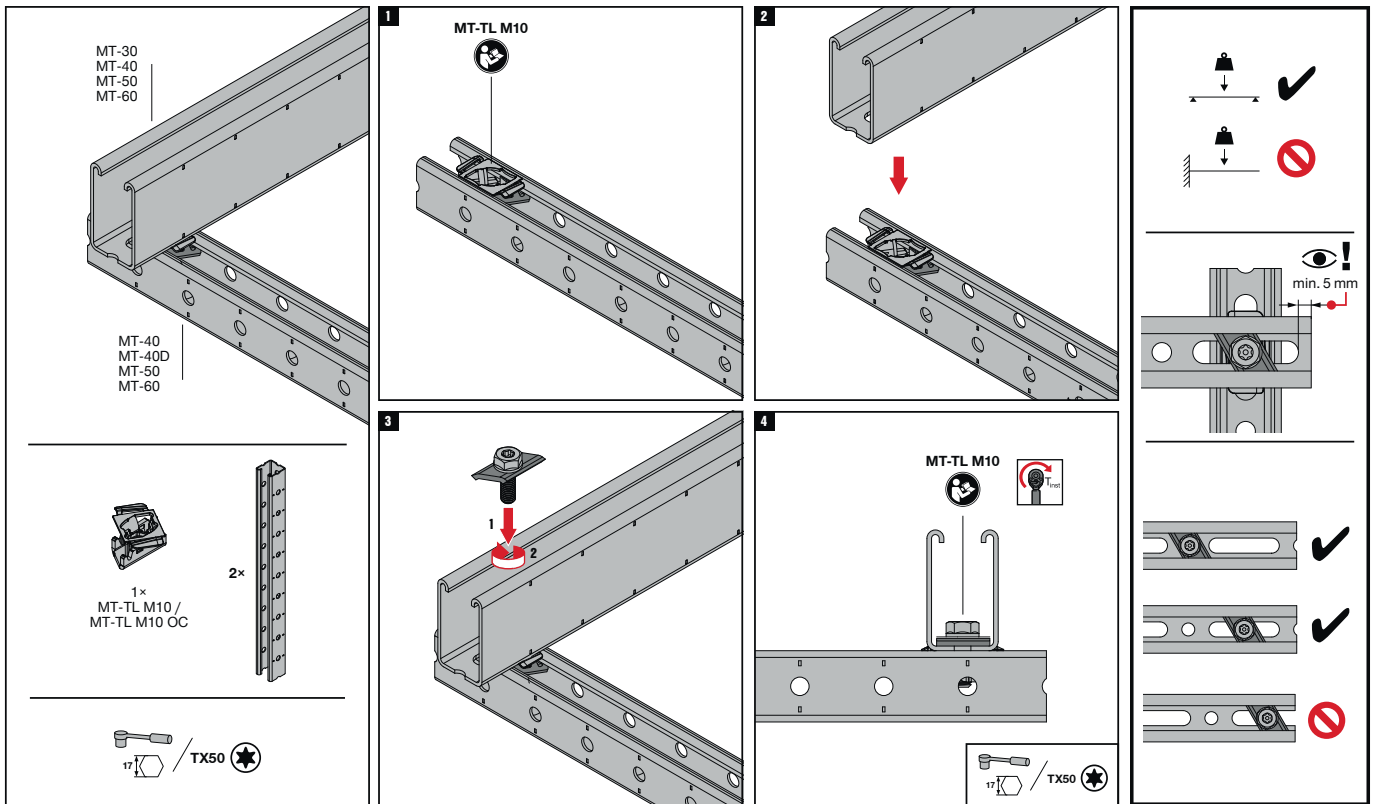


The latest IFU (Instruction For Use) is available on Hilti Online. Please check for any revisions before installing the product.

# MT Open C-channel (Strut) Connectors

## Operation Instruction MT-CTAB / MT-CTAB OC

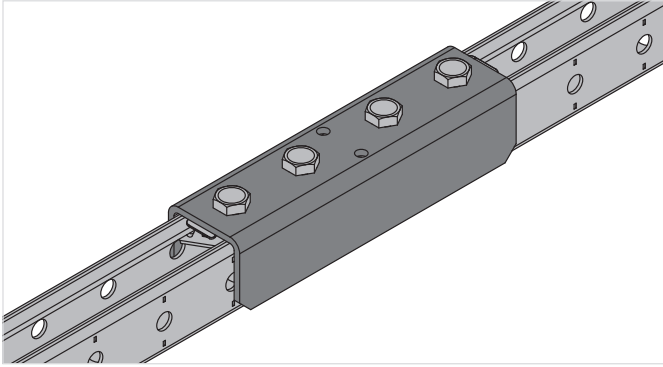
2334482-07.2021



The latest IFU (Instruction For Use) is available on Hilti Online. Please check for any revisions before installing the product.

## MT Open C-channel (Strut) Connectors Splice Connectors

4



### Applications

- Extending MT strut channels by fastening them together end-to-end
- Assembling metal framing for MEP support structures when longer spans or increased floor/ceiling clearance are required
- Suitable for use in dry, indoor environments

### Advantages

- Part of the Hilti MT system – an economical, all-in-one solution for virtually all modular MEP support structures
- Easy to install – compatible with the Hilti MT Twist-Lock, a faster alternative to spring nuts for assembling a modular support system
- Adaptable – unlike welding, angle brackets allow you to modify strut channel framing during installation and for future MEP requirements

### Technical data

Material composition	Q235 or better steel
Surface finish	Pre-galvanized - for dry indoor use only

### MT-ES-40 Splice Connector

Order Designation	Technical data	Sales pack Quantity	Item number	
MT-ES-40	Dry indoor conditions (C1) Indoor with temporary condensation (C2)	12 pc	2272062	

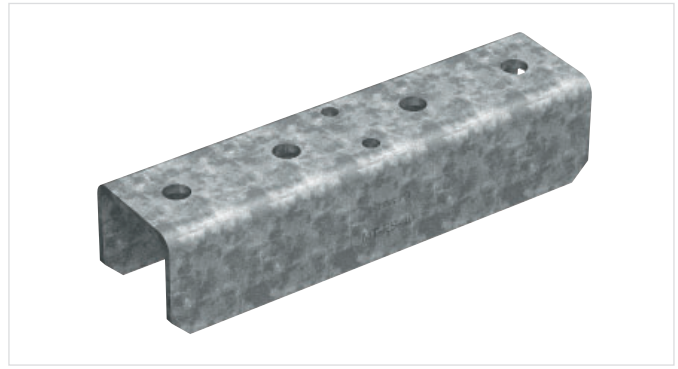
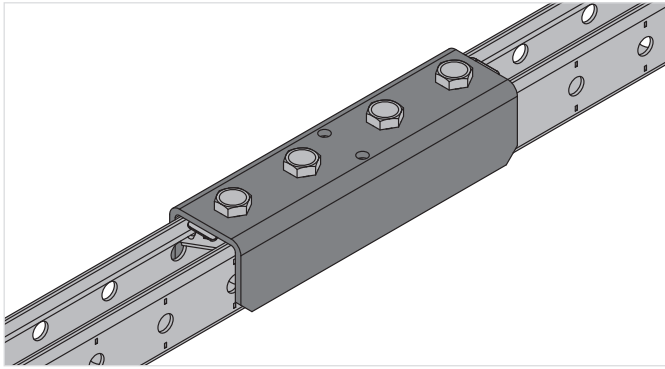
### MT-ES-60 Splice Connector

Order Designation	Technical data	Sales pack Quantity	Item number	
MT-ES-60	Dry indoor conditions (C1) Indoor with temporary condensation (C2)	8 pc	2322415	



## MT Open C-channel (Strut) Connectors

### Splice Connectors - Outdoor



#### Applications

- Extending MT strut channels by fastening them together end-to-end
- Assembling metal framing for MEP support structures when longer spans or increased floor/ceiling clearance are required
- Suitable for use in moderately corrosive environments

#### Advantages

- Part of the Hilti MT system – an economical, all-in-one solution for virtually all modular MEP support structures
- Easy to install – compatible with the Hilti MT Twist-Lock, a faster alternative to spring nuts for assembling a modular support system
- Adaptable – unlike welding, angle brackets allow you to modify strut channel framing during installation and for future MEP requirements

#### Technical data

Material composition	Q235 or better steel
Surface finish	Hot-dip galvanized - for outdoor use

### MT-ES-40 OC Splice Connector - Outdoor

Order Designation	Technical data	Sales pack Quantity	Item number	
MT-ES-40 OC	Outdoor, low to moderate pollution (C3 / C4 - low)	12 pc	2272063	

### MT-ES-60 OC Splice Connector - Outdoor


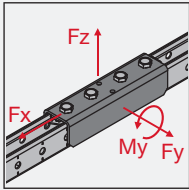

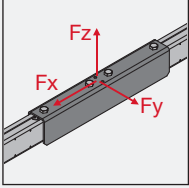
Order Designation	Technical data	Sales pack Quantity	Item number	
MT-ES-60 OC	Outdoor, low to moderate pollution (C3 / C4 - low)	8 pc	2322416	

# MT Open C-channel (Strut) Connectors

## Splice Connectors

4

### Technical data MT Splice Connector

Item image	Load drawing	Order Designation	+ Fz	- Fz	± Fx	± Fy	± My
		<b>MT-ES-40 / MT-ES-40 OC</b>	10,0 kN	10,0 kN	10,0 kN	0,6 kN	0,3 kNm
		<b>MT-ES-60 / MT-ES-60 OC</b>	4,3 kN	3,9 kN	10,0 kN	1,1 kN	

**Design note**

- Shown load values are recommended values with partial safety factors for actions and resistance included
- Design value = 1.4 \* recommended value
- The design resistance of the products is defined in accordance with EN1993

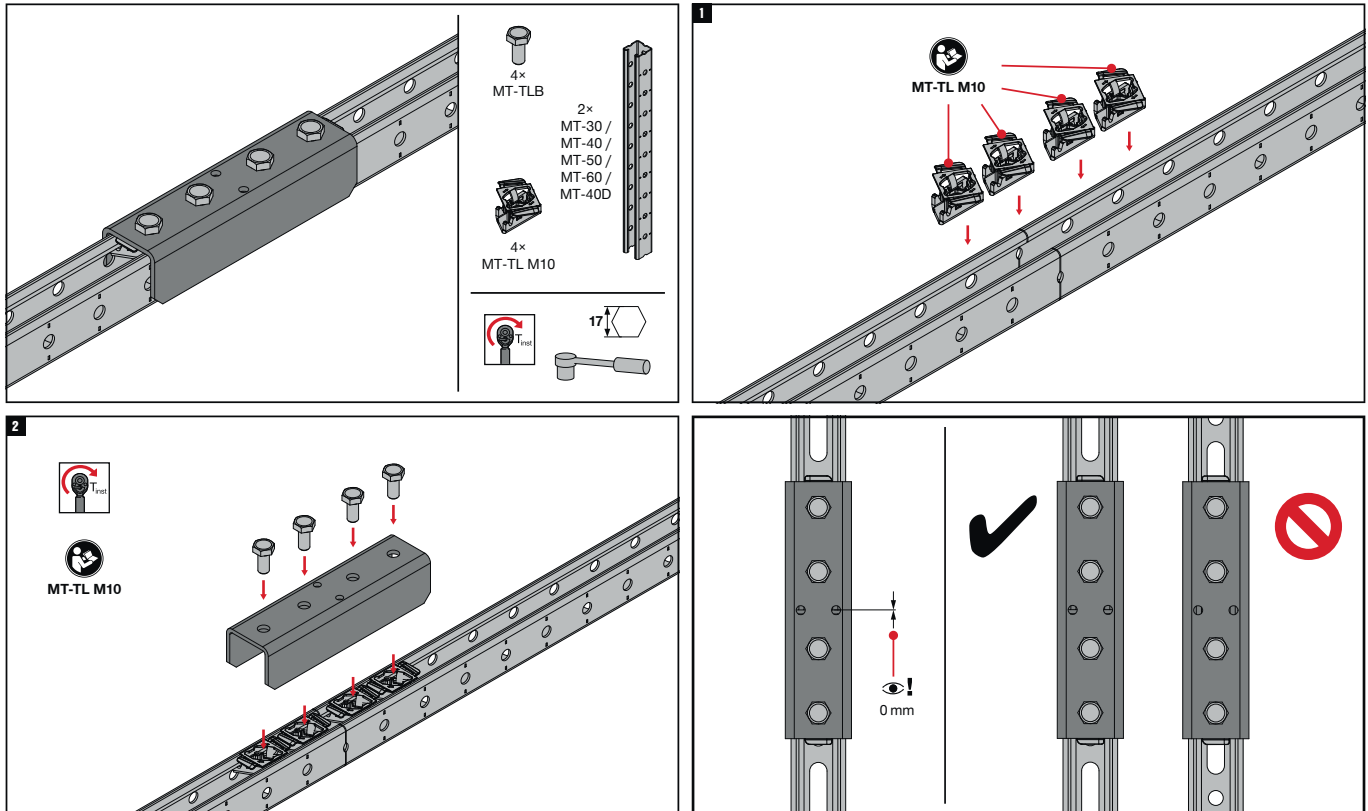
# MT Open C-channel (Strut) Connectors

## Splice Connectors

### Operation Instruction

MT-ES-40 / MT-ES-40 OC

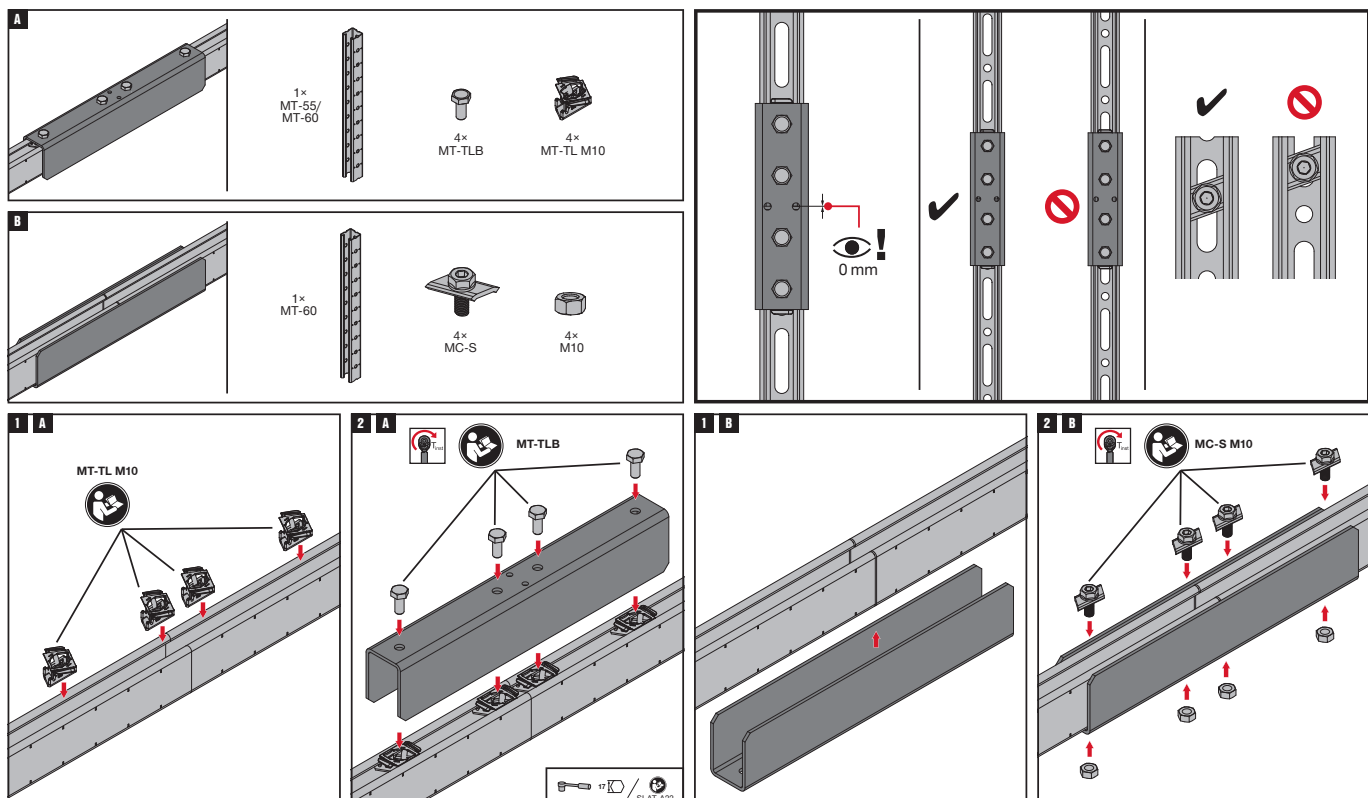
2288189-06.2020



The latest IFU (Instruction For Use) is available on Hilti Online. Please check for any revisions before installing the product.

### MT-ES-60

2325098-04.2021



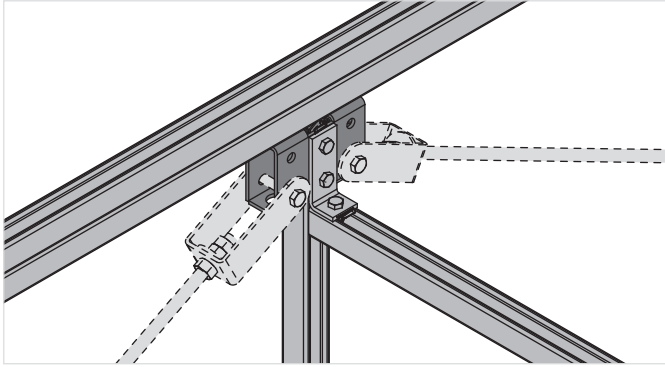
The latest IFU (Instruction For Use) is available on Hilti Online. Please check for any revisions before installing the product.

Version from 03.2023

Boundary conditions - Terms of common cooperation / Legal disclaimer and guidelines as defined at the beginning of this book need to be mandatorily respected

## MT Open C-channel (Strut) Connectors Long Span Bracing

4



### Applications

- Assembling and bracing modular support structures with longer spans

### Advantages

- High load capacity – designed for threaded rod bracing for increased rigidity over long spans
- Part of the Hilti MT system – an economical, all-in-one solution for virtually all modular MEP support structures

### Technical data

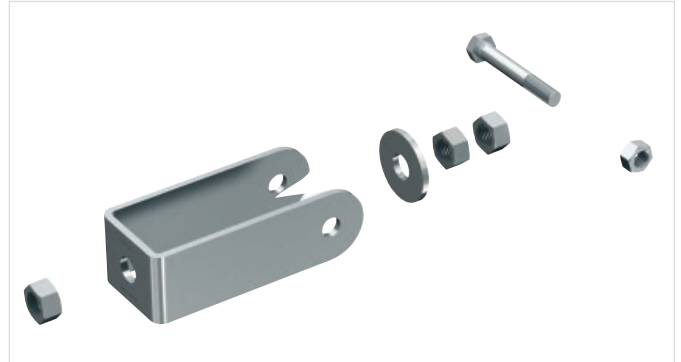
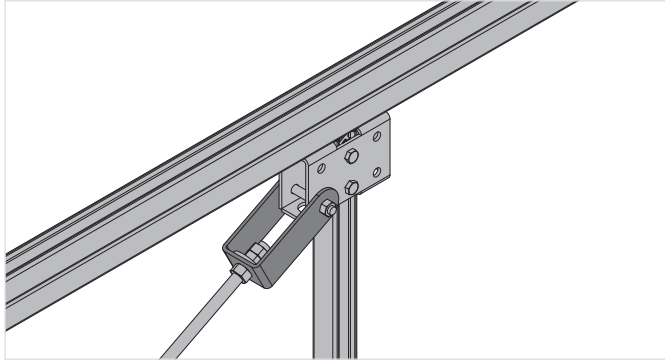
Material composition	Q235 or better steel
Surface finish	Indoor Coated - Electro galvanized

### MT-C-LS Connector

Order Designation	Technical data	Sales pack Quantity	Item number	
MT-C-LS	Dry indoor conditions (C1) Indoor with temporary condensation (C2)	10 pc	2322419	

## MT Open C-channel (Strut) Connectors

### Long Span Bracing



4

#### Applications

- Bracing modular support structures with longer spans

#### Technical data

Material composition	Q235 or better steel
Surface finish	Indoor Coated - Electro galvanized

#### Advantages

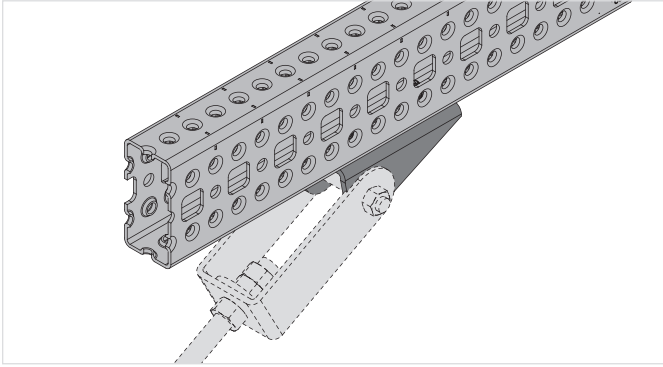
- High load capacity – designed for threaded rod bracing for increased rigidity over long spans
- Part of the Hilti MT system – an economical, all-in-one solution for virtually all modular MEP support structures

### MT-FTR-LS Brace Connector

Order Designation	Technical data	Sales pack Quantity	Item number	
MT-FTR-LS	Dry indoor conditions (C1) Indoor with temporary condensation (C2)	1 pc	2322421	

## MT Open C-channel (Strut) Connectors Long Span Bracing

4



### Applications

- Assembling and bracing modular support structures with longer spans

### Advantages

- High load capacity – designed for threaded rod bracing for increased rigidity over long spans
- Part of the Hilti MT system – an economical, all-in-one solution for virtually all modular MEP support structures

### Technical data

Material composition	Q235 or better steel
Surface finish	Indoor Coated - Electro galvanized

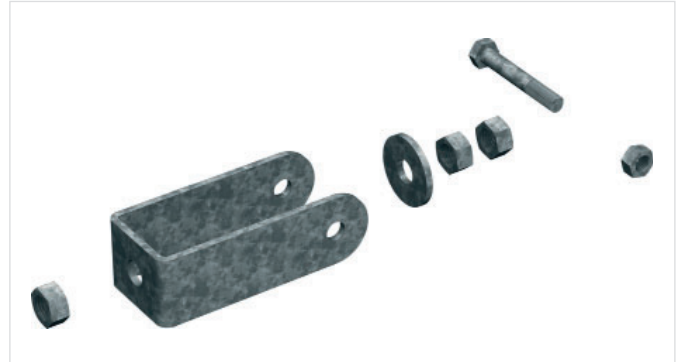
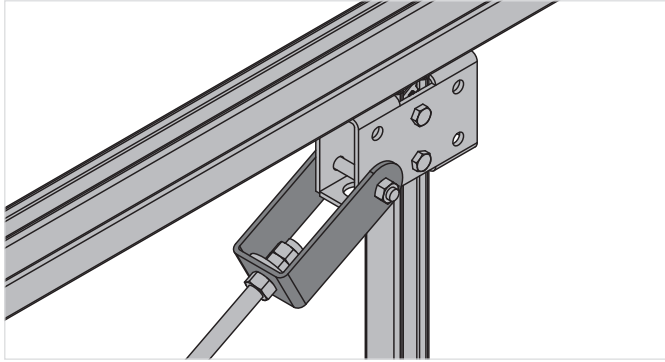
### MT-AB-LS Brace Connector

Order Designation	Profile	Technical data	Sales pack Quantity	Item number	
<b>MT-AB-LS</b>	MT-40D OC MT-70 MT-80	Dry indoor conditions (C1) Indoor with temporary condensation (C2)	24 pc	<b>2322420</b>	

## MT Open C-channel (Strut) Connectors

### Long Span Bracing - Outdoor

4



#### Applications

- Bracing modular support structures with longer spans

#### Technical data

Material composition	Q235 or better steel
Surface finish	Outdoor Coated - HDG

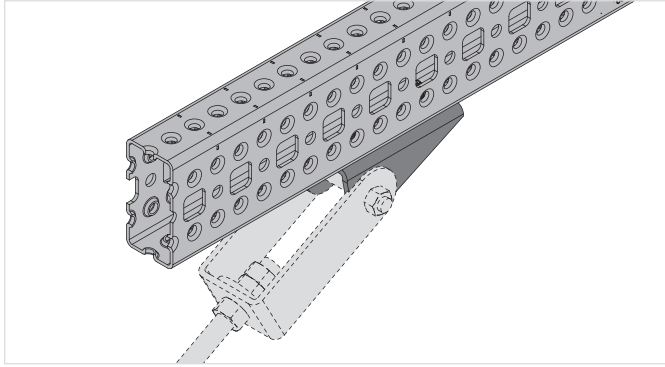
#### Advantages

- High load capacity – designed for threaded rod bracing for increased rigidity over long spans
- Part of the Hilti MT system – an economical, all-in-one solution for virtually all modular MEP support structures
- Corrosion resistance – hot-dip galvanized to help protect against moisture and chemical corrosion

## MT-FTR-LS OC Brace Connector - Outdoor

Order Designation	Technical data	Sales pack Quantity	Item number	
MT-FTR-LS OC	Outdoor, low to moderate pollution (C3 / C4 - low)	1 pc	2322424	

## MT Open C-channel (Strut) Connectors Long Span Bracing - Outdoor



### Applications

- Assembling and bracing modular support structures with longer spans

### Advantages

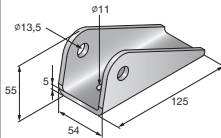
- High load capacity – enables threaded rod bracing for increased rigidity over long spans
- Corrosion resistance – hot-dip galvanized to help protect against moisture and chemical corrosion
- Part of the Hilti MT system – an economical, all-in-one solution for virtually all modular MEP support structures

### Technical data

Material composition	Q235 or better steel
Surface finish	Outdoor Coated - HDG

## MT-AB-LS OC Brace Connector - Outdoor

Order Designation	Technical data	Sales pack Quantity	Item number
MT-AB-LS OC	Outdoor, low to moderate pollution (C3 / C4 - low)	24 pc	2322423


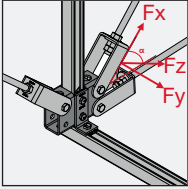




## MT Open C-channel (Strut) Connectors

### Long Span Bracing

#### Technical data Long span bracing

Item image	Load drawing	Order Designation	+ Fz	- Fz	± Fx	± Fy
		<b>MT-C-LS + MT-FTR-LS</b>	-	-	10,0 kN	-

#### Design note

- Shown load values are recommended values with partial safety factors for actions and resistance included
- Design value = 1.4 \* recommended value
- The design resistance of the products is defined in accordance with EN1993

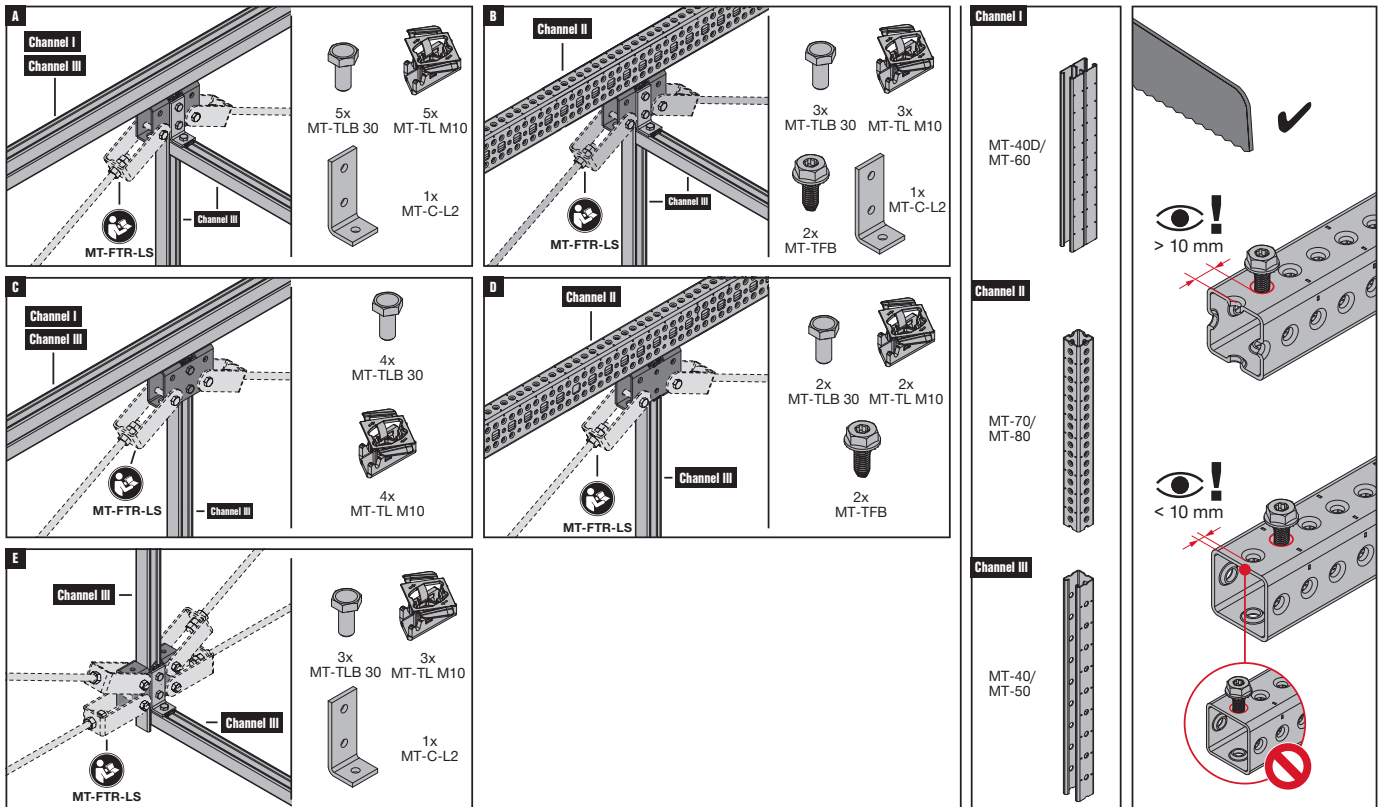
# MT Open C-channel (Strut) Connectors

## Long Span Bracing

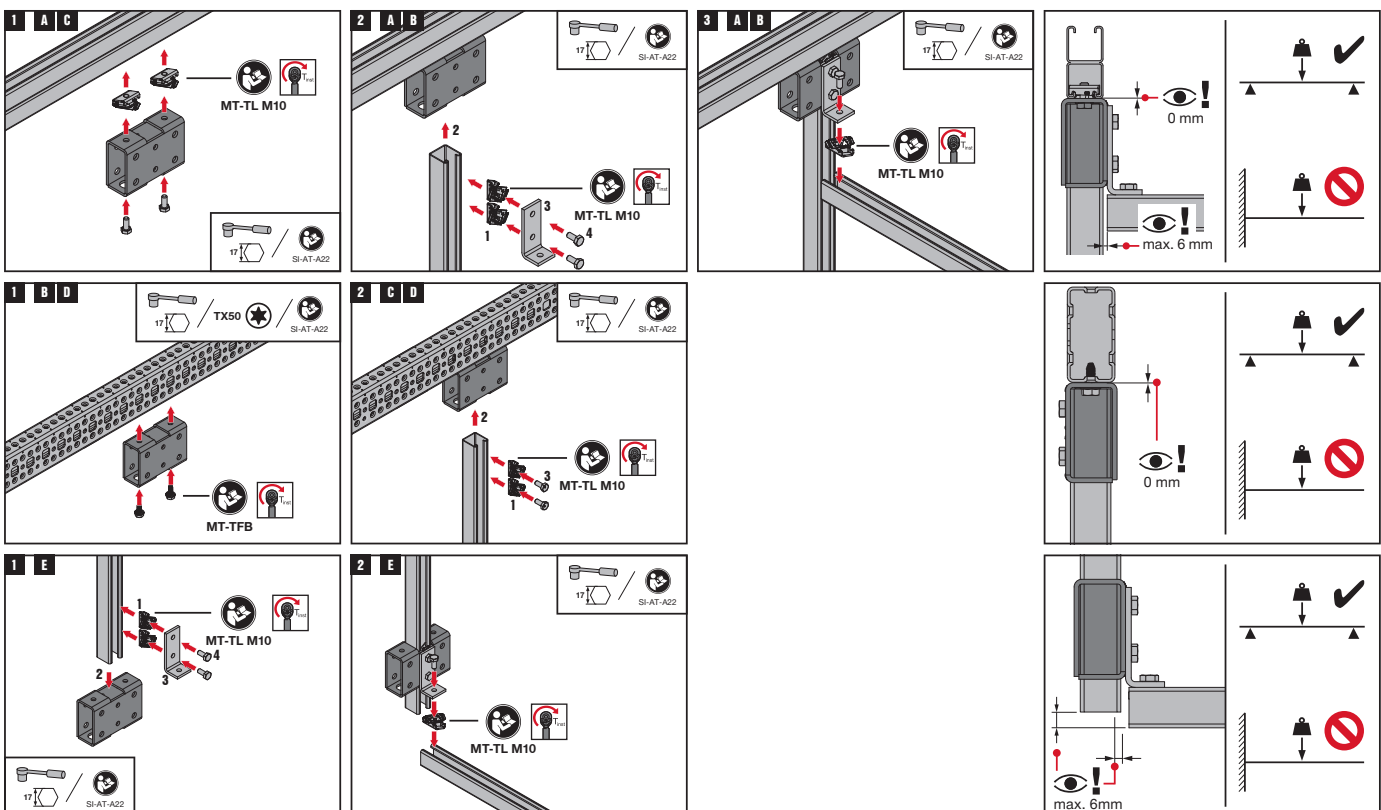
### Operation Instruction

#### MT-C-LS / MT-C-LS OC

2325258-04.2021



The latest IFU (Instruction For Use) is available on Hilti Online. Please check for any revisions before installing the product.



The latest IFU (Instruction For Use) is available on Hilti Online. Please check for any revisions before installing the product.

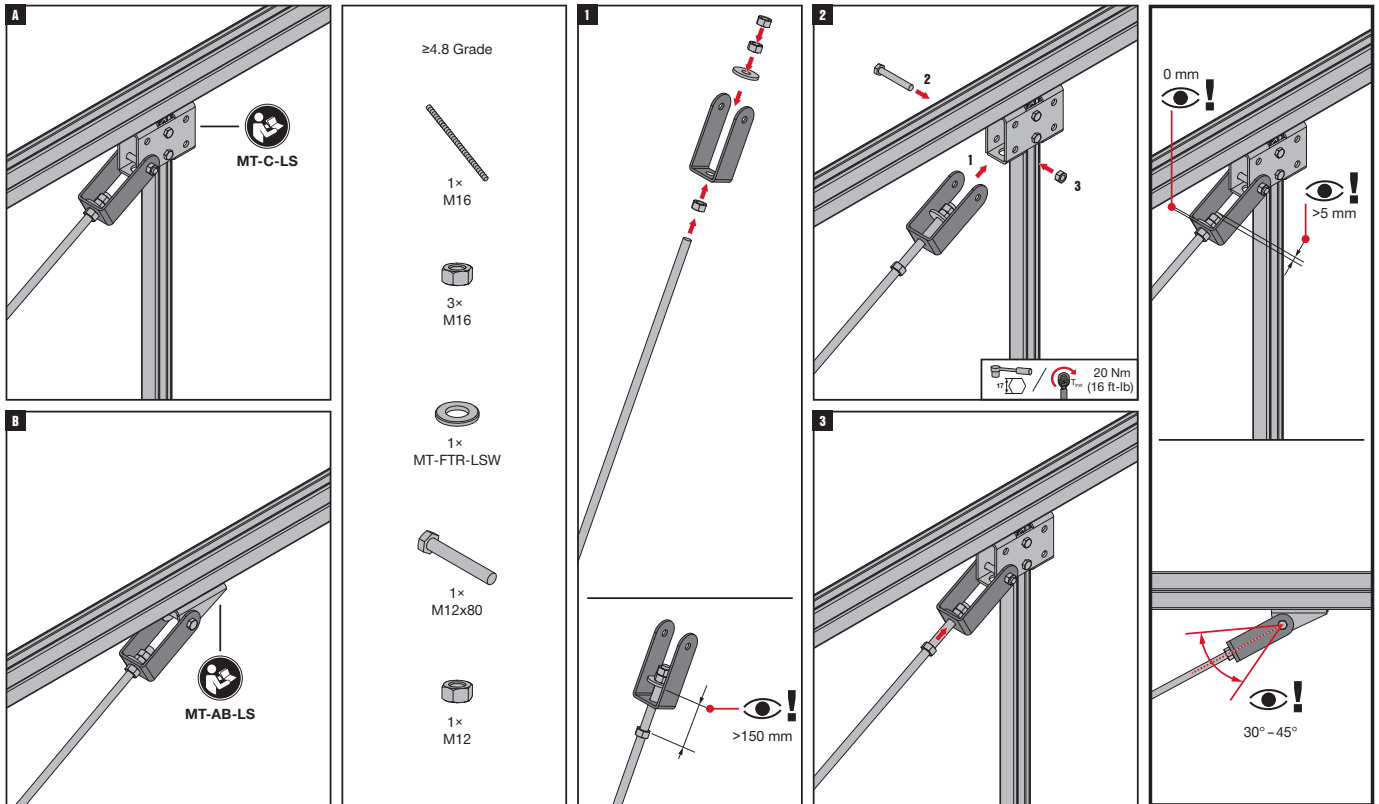
# MT Open C-channel (Strut) Connectors

## Long Span Bracing

### Operation Instruction

#### MT-FTR-LS / MT-FTR-LS OC

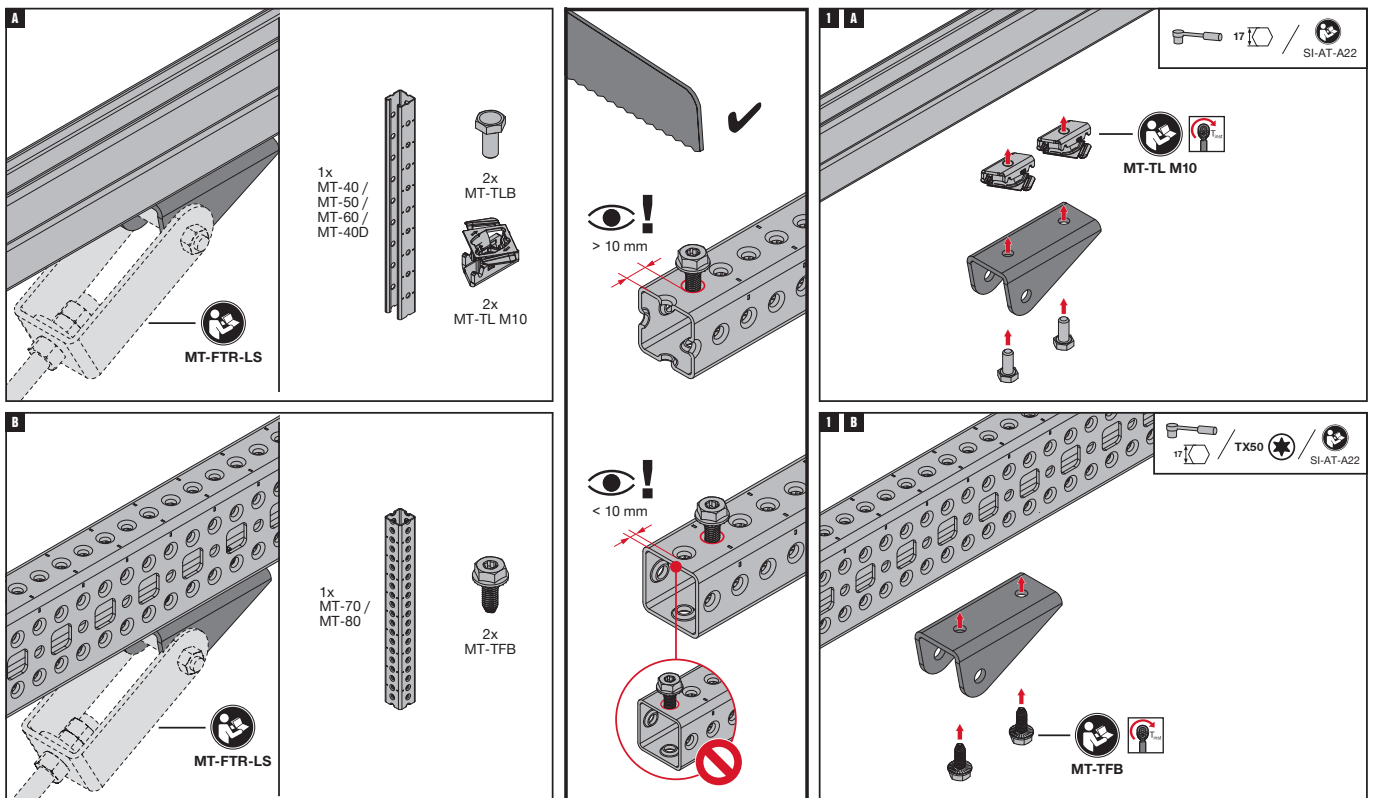
2325259-04.2021



The latest IFU (Instruction For Use) is available on Hilti Online. Please check for any revisions before installing the product.

#### MT-AB-LS / MT-AB-LS OC

2325231-04.2021



The latest IFU (Instruction For Use) is available on Hilti Online. Please check for any revisions before installing the product.

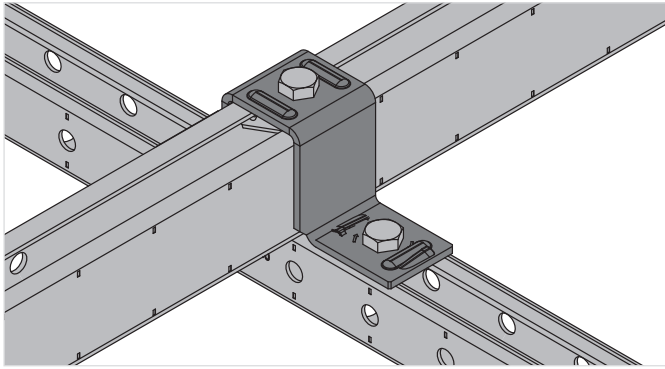
Version from 03.2023

Boundary conditions - Terms of common cooperation / Legal disclaimer and guidelines as defined at the beginning of this book need to be mandatorily respected

## MT Open C-channel (Strut) Connectors

### Channel Clamps

4



#### Applications

- Cross-connection of one strut channel to another channel or girder
- Suitable for use in dry, indoor environments

#### Advantages

- Compatible with MT Twist-Lock and MT Thread Forming Bolt channel connectors – for much faster, adaptable assembly
- Universal – complete many different applications using few parts

#### Technical data

Material composition	Q235 or better steel
Surface finish	Indoor Coated - Electro galvanized

### MT-CC-30 Channel Clamp

Order Designation	Technical data	Sales pack Quantity	Item number	
<b>MT-CC-30</b>	Dry indoor conditions (C1) Indoor with temporary condensation (C2)	10 pc	<b>2322427</b>	

### MT-CC-40/50 Channel Clamp

Order Designation	Technical data	Sales pack Quantity	Item number	
<b>MT-CC-40/50</b>	Dry indoor conditions (C1) Indoor with temporary condensation (C2)	20 pc	<b>2322429</b>	

## MT Open C-channel (Strut) Connectors

### Channel Clamps

#### MT-CC-40/50X2 Channel Clamp

Order Designation	Technical data	Sales pack Quantity	Item number	
MT-CC-40/50X2	Dry indoor conditions (C1) Indoor with temporary condensation (C2)	10 pc	2322392	

#### MT-CC-60 Channel Clamp

Order Designation	Technical data	Sales pack Quantity	Item number	
MT-CC-60	Dry indoor conditions (C1) Indoor with temporary condensation (C2)	15 pc	2322396	

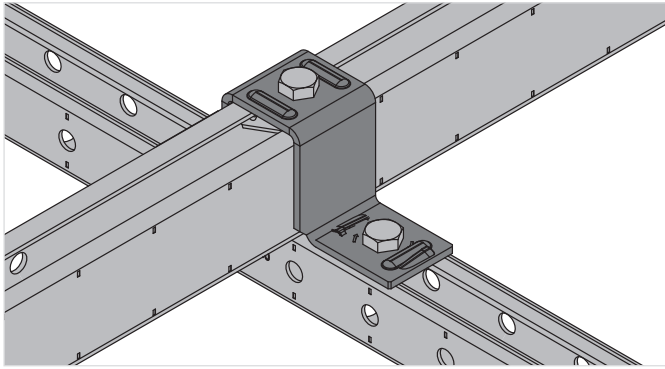
#### MT-CC-40D Channel clamp

Order Designation	Technical data	Sales pack Quantity	Item number	
MT-CC-40D	Dry indoor conditions (C1) Indoor with temporary condensation (C2)	10 pc	2322398	

## MT Open C-channel (Strut) Connectors

### Channel Clamps - Outdoor

4



#### Applications

- Attaching polypanels to a substructure of MT strut/girders
- Hot/cold aisle containment in data centers

#### Advantages

- Helps lower installation cost – this new solution uses fewer and simpler components than previous Hilti panel connectors, saving you upfront costs and time on-site
- Compatible with MT Thread Forming Bolt channel connectors – for much faster, adaptable assembly with higher pull-out and shear resistance
- Corrosion resistance – hot-dip galvanized to help protect against moisture and chemical corrosion

#### Technical data

Material composition	Q235 or better steel
Surface finish	Outdoor Coated - HDG

### MT-CC-40/50 OC Channel Clamp - Outdoor

Order Designation	Technical data	Sales pack Quantity	Item number	
MT-CC-40/50 OC	Outdoor, low to moderate pollution (C3 / C4 - low)	20 pc	2322391	

### MT-CC-40/50X2 OC Channel Clamp - Outdoor

Order Designation	Technical data	Sales pack Quantity	Item number	
MT-CC-40/50X2 OC	Outdoor, low to moderate pollution (C3 / C4 - low)	10 pc	2322393	

## MT Open C-channel (Strut) Connectors

### Channel Clamps - Outdoor

#### MT-CC-60 OC Channel Clamp - Outdoor

Order Designation	Technical data	Sales pack Quantity	Item number	
<b>MT-CC-60 OC</b>	Outdoor, low to moderate pollution (C3)	15 pc	<b>2322431</b>	

#### MT-CC-40D OC Channel Clamp - Outdoor

Order Designation	Technical data	Sales pack Quantity	Item number	
<b>MT-CC-40D OC</b>	Outdoor, low to moderate pollution (C3)	10 pc	<b>2322399</b>	

## MT Open C-channel (Strut) Connectors

### Channel Clamps

4

#### Technical data MT-Channel Clamps

Item image	Load drawing	Order Designation	+ Fz	- Fz	± Fx	± Fy
		MT-CC-30	-	5,4 kN	2,5 kN	5,7 kN
		MT-CC-40/50 / MT-CC-40/50 OC	-	5,4 kN	2,5 kN	5,7 kN
		MT-CC-40/50x2 / MT-CC-40/50x2 OC	-	2,0 kN	2,5 kN	5,7 kN
		MT-CC-40D / MT-CC-40D OC	-	5,4 kN	2,5 kN	3,6 kN
		MT-CC-60 / MT-CC-60 OC	-	5,4 kN	2,5 kN	3,6 kN
		MT-CC-70 OC	-	5,4 kN	2,5 kN	3,6 kN

#### Design note

- Shown load values are recommended values with partial safety factors for actions and resistance included
- Design value = 1,4 \* recommended value
- The design resistance of the products is defined in accordance with EN1993



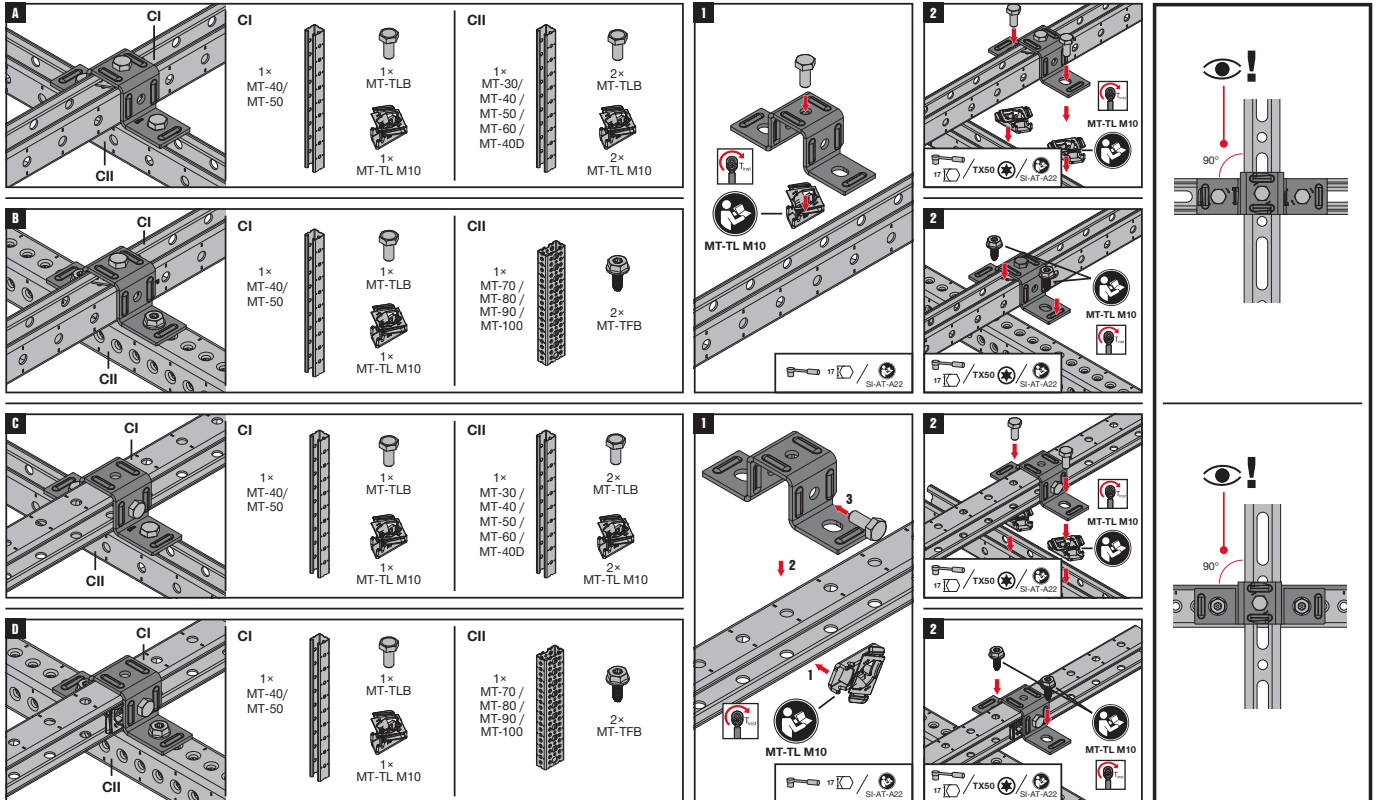
# MT Open C-channel (Strut) Connectors

## Channel Clamps

### Operation Instruction

MT-CC-40/50 / MT-CC-40/50 OC

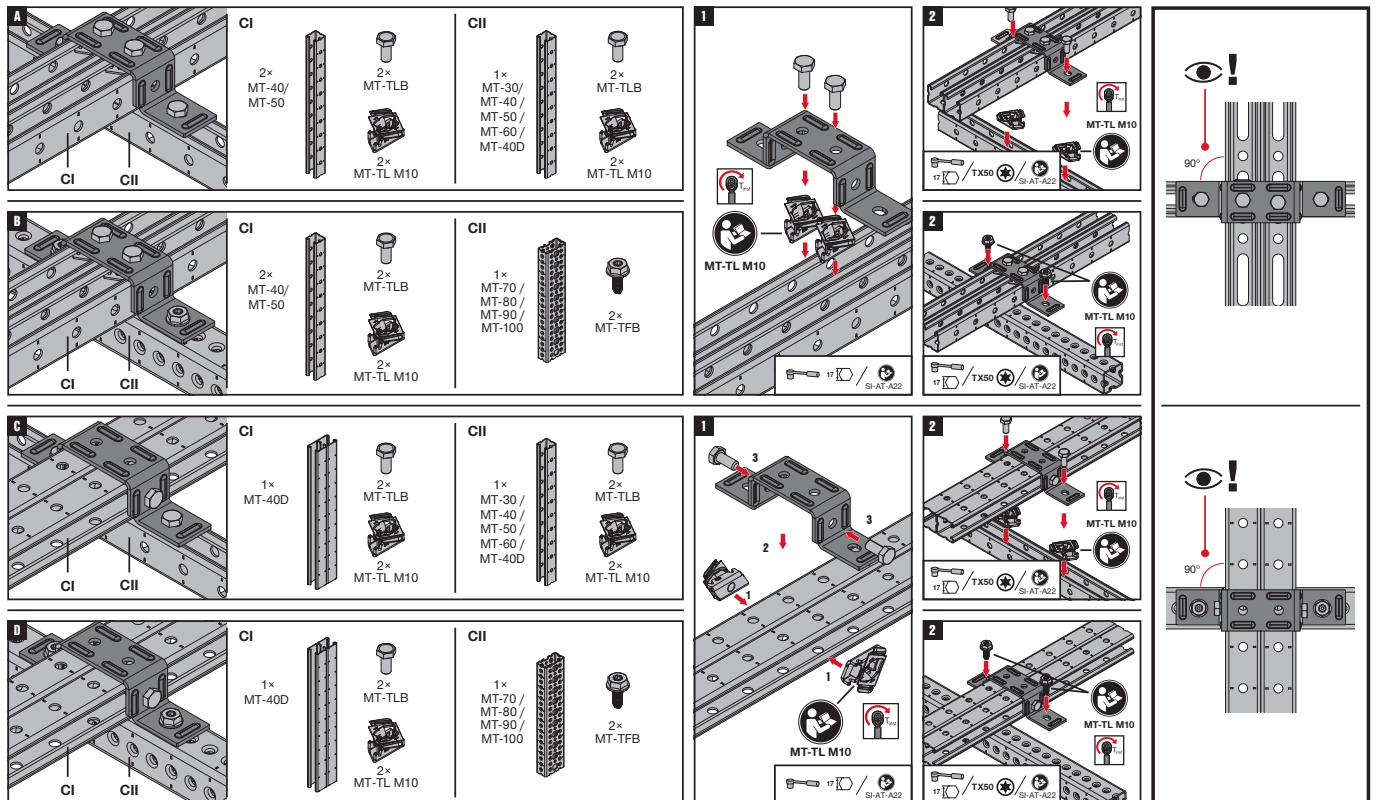
2324718-04.2021



The latest IFU (Instruction For Use) is available on Hilti Online. Please check for any revisions before installing the product.

### MT-CC-40/50x2 / MT-CC-40/50x2 OC

2324719-04.2021



The latest IFU (Instruction For Use) is available on Hilti Online. Please check for any revisions before installing the product.

Version from 03.2023

Boundary conditions - Terms of common cooperation / Legal disclaimer and guidelines as defined at the beginning of this book need to be mandatorily respected

# MT Open C-channel (Strut) Connectors

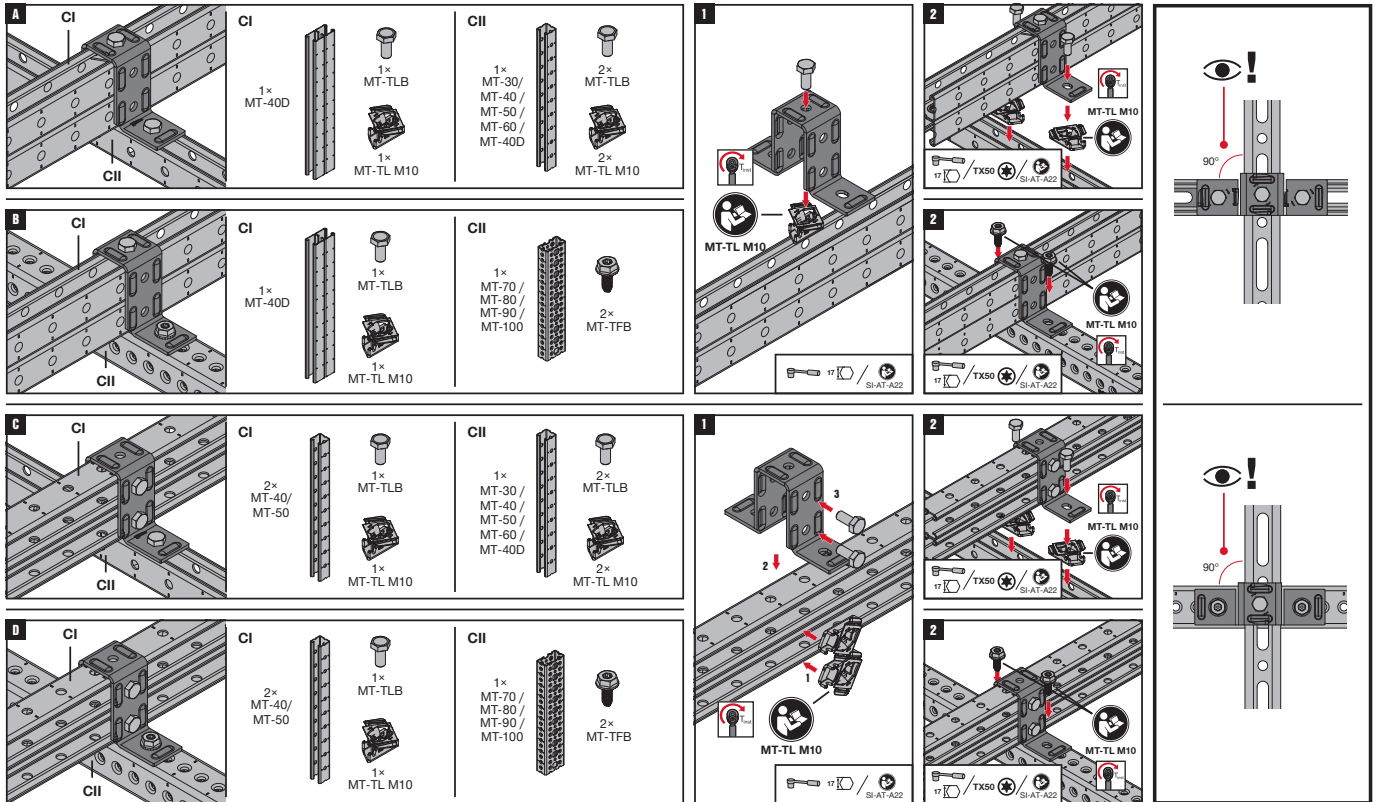
## Channel Clamps

4

### Operation Instruction

MT-CC-40D / MT-CC-40D OC

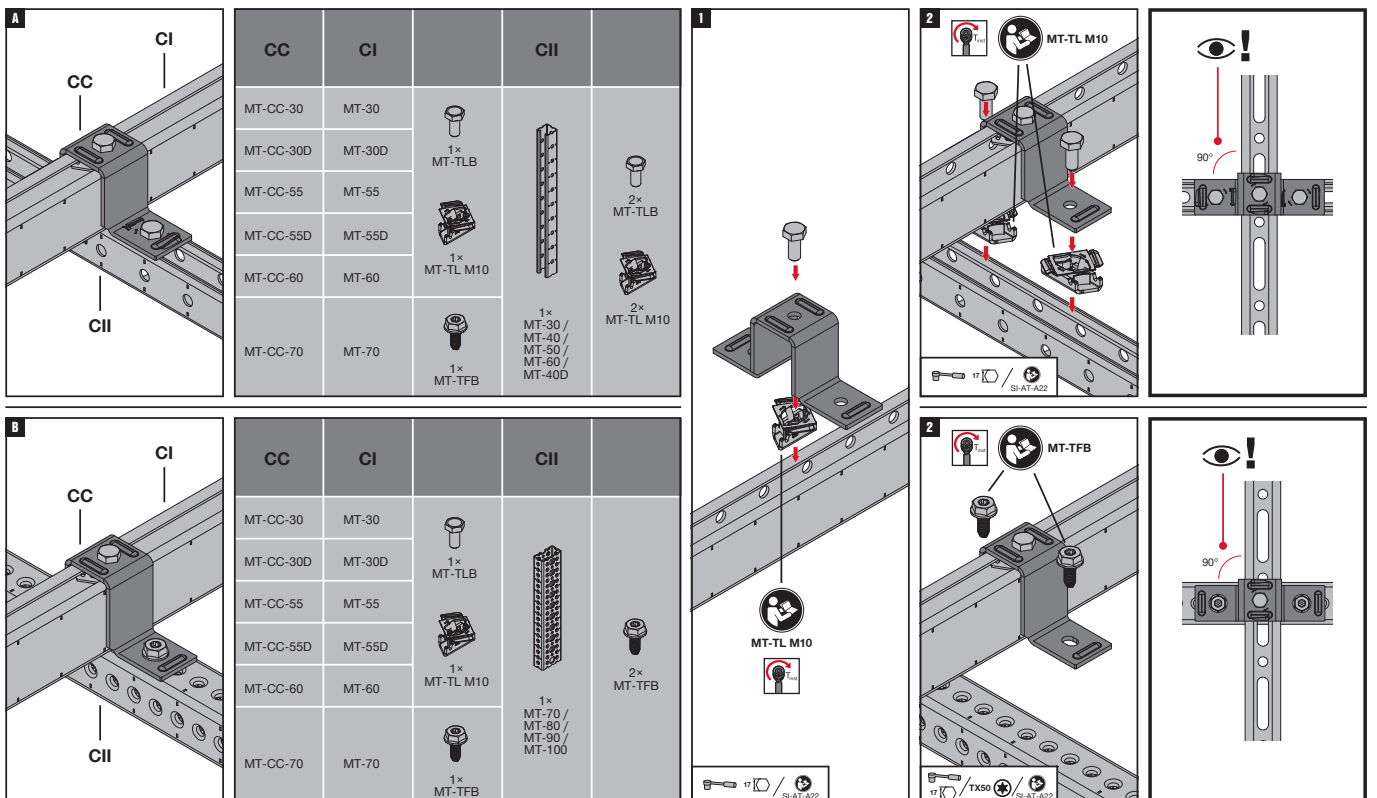
2324717-04.2021



The latest IFU (Instruction For Use) is available on Hilti Online. Please check for any revisions before installing the product.

### MT-CC-30 / MT-CC-40/50 / MT-CC-60 / MT-CC-30 OC / MT-CC-40/50 OC / MT-CC-60 OC

232516-04.2021



The latest IFU (Instruction For Use) is available on Hilti Online. Please check for any revisions before installing the product.

## MT Closed Profiles Connectors

### 90° Connectors - Outdoor



#### Applications

- Right-angle connections between any MT closed profiles or strut channels
- Assembling metal framing for MEP support structures when resistance to 3D stresses is required
- Fastening MT strut channel to concrete floors, walls or ceilings

#### Advantages

- Part of the Hilti MT system – an economical, all-in-one solution for virtually all modular MEP support structures
- Easy to install – one-step assembly using Hilti MT-TFB thread-forming bolts
- Adaptable – unlike welding, angle brackets allow you to modify strut channel framing during installation and for future MEP requirements
- Adjustable – cloud holes enable height adjustment in 5mm increments

#### Technical data

Material composition	Q355 or better steel
Surface finish	Hot-dip galvanized - for outdoor use

### MT-C-GS OC Angle Connector - Outdoor

Order Designation	Technical data	Sales pack Quantity	Item number	
MT-C-GS OC	Outdoor, low to moderate pollution (C3 / C4 - low)	10 pc	2272064	

### MT-C-GS A OC Angle Connector - Outdoor

Order Designation	Technical data	Sales pack Quantity	Item number	
MT-C-GS A OC	Outdoor, low to moderate pollution (C3 / C4 - low)	10 pc	2272068	

## MT Closed Profiles Connectors

### 90° Connectors - Outdoor

4

#### MT-C-GL OC Angle Connector - Outdoor

Order Designation	Technical data	Sales pack Quantity	Item number	
<b>MT-C-GL OC</b>	Outdoor, low to moderate pollution (C3 / C4 - low)	10 pc	<b>2272066</b>	

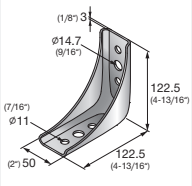
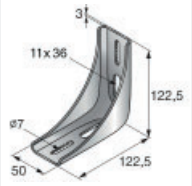
#### MT-C-GL A OC Angle Connector - Outdoor

Order Designation	Technical data	Sales pack Quantity	Item number	
<b>MT-C-GL A OC</b>	Outdoor, low to moderate pollution (C3 / C4 - low)	10 pc	<b>2272069</b>	

# MT Closed Profiles Connectors

## 90° Connectors - Outdoor

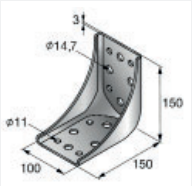
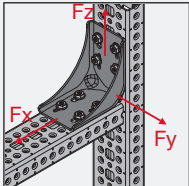
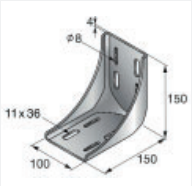
### Technical data MT Angle Connectors - Outdoor

Item image	Load drawing	Order Designation	+ Fz	- Fz	± Fx	± Fy
		<b>MT-C-GS OC</b>	11,9 kN	7,6 kN	5,2 kN	2,6 kN
		<b>MT-C-GS A OC</b>	11,9 kN	7,6 kN	5,2 kN	2,6 kN

**Design note**

- Shown load values are recommended values with partial safety factors for actions and resistance included
- Design value = 1.4 \* recommended value
- The design resistance of the products is defined in accordance with EN1993

### Technical data MT Angle Connectors - Outdoor

Item image	Load drawing	Order Designation	+ Fz	- Fz	± Fx	± Fy
		<b>MT-C-GL OC</b>	14,6 kN	13,5 kN	16,5 kN	11,7 kN
		<b>MT-C-GL A OC</b>	14,6 kN	13,5 kN	16,5 kN	11,7 kN

**Design note**

- Shown load values are recommended values with partial safety factors for actions and resistance included
- Design value = 1.5 \* recommended value
- The design resistance of the products is defined in accordance with EN1993

# MT Closed Profiles Connectors

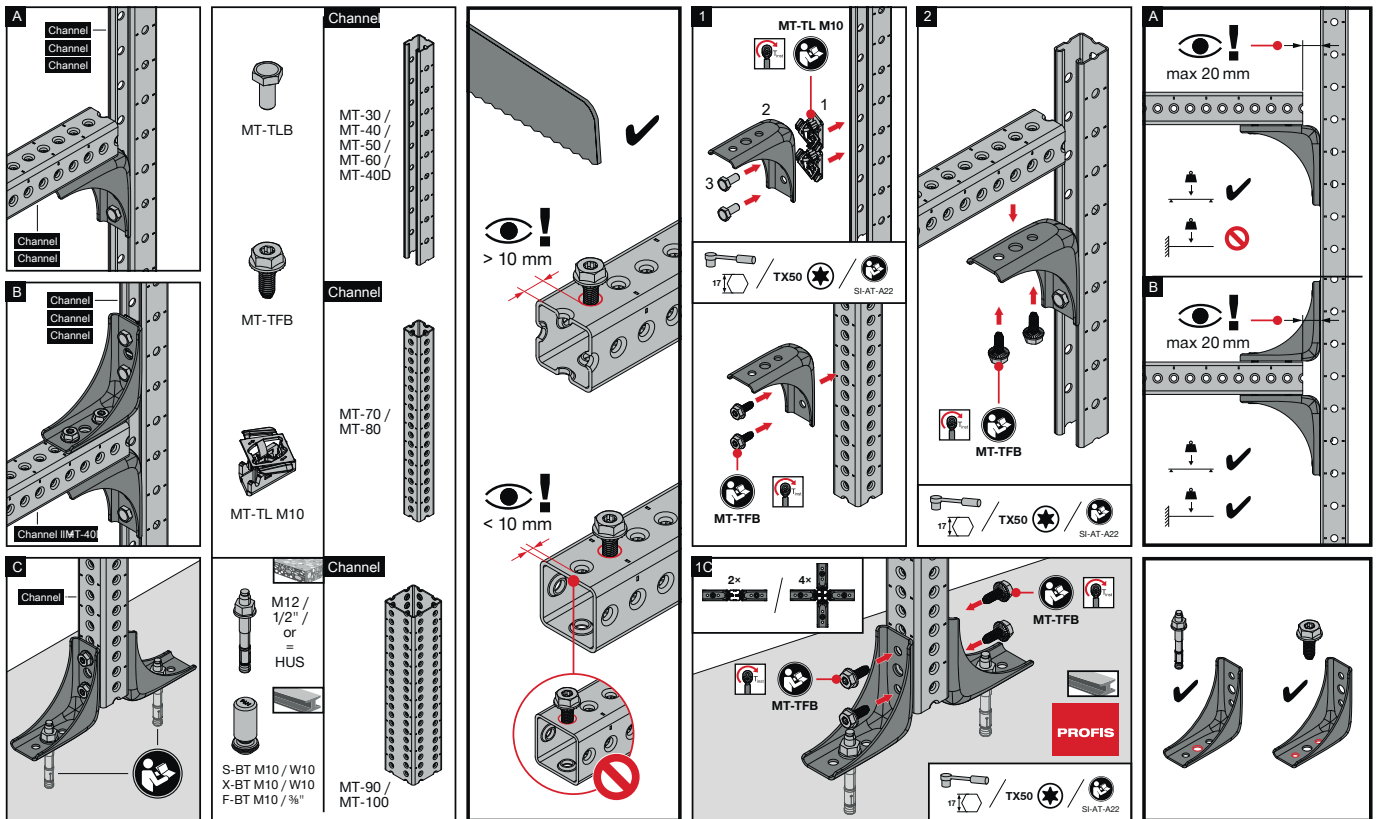
## 90° Connectors - Outdoor

4

### Operation Instruction

#### MT-C-GS OC

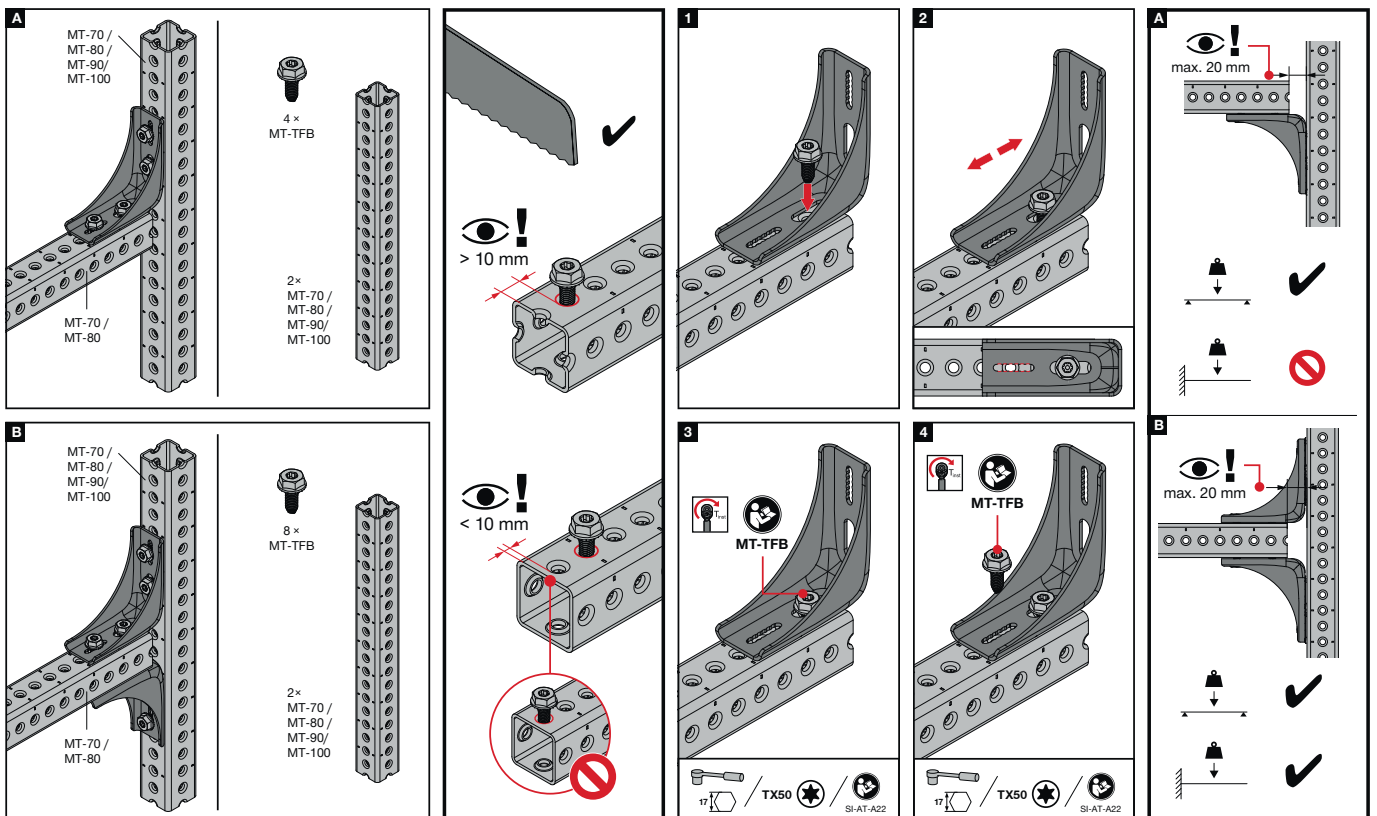
2290665-06.2020



The latest IFU (Instruction For Use) is available on Hilti Online. Please check for any revisions before installing the product.

#### MT-C-GS A OC

2289567-09.2020



The latest IFU (Instruction For Use) is available on Hilti Online. Please check for any revisions before installing the product.

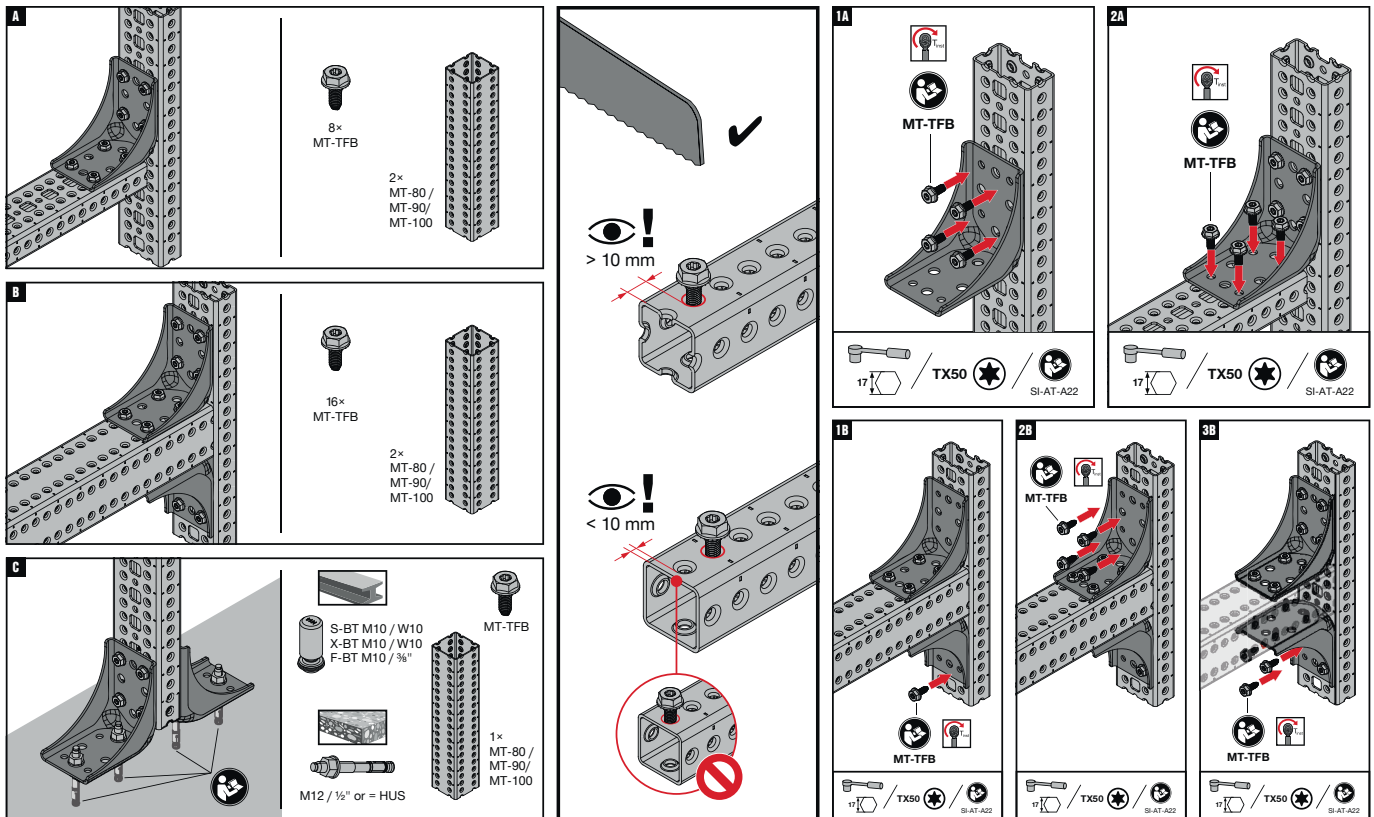
# MT Closed Profiles Connectors

## 90° Connectors - Outdoor

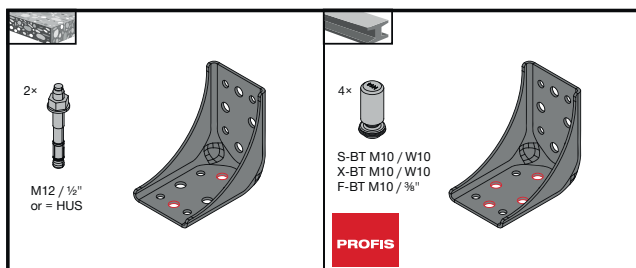
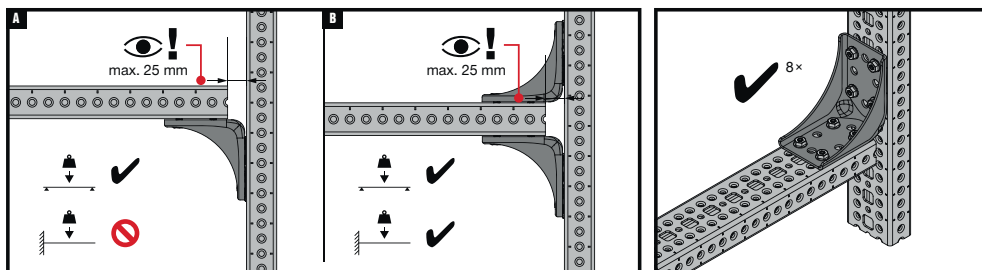
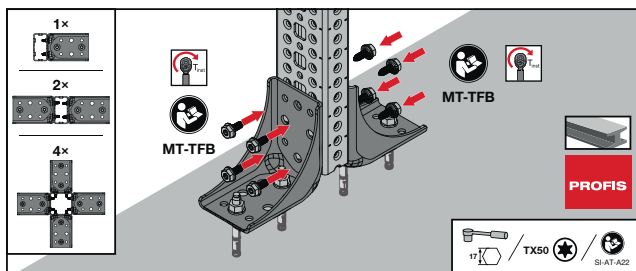
### Operation Instruction

#### MT-C-GL OC

2289566-07.2020



The latest IFU (Instruction For Use) is available on Hilti Online. Please check for any revisions before installing the product.



The latest IFU (Instruction For Use) is available on Hilti Online. Please check for any revisions before installing the product.

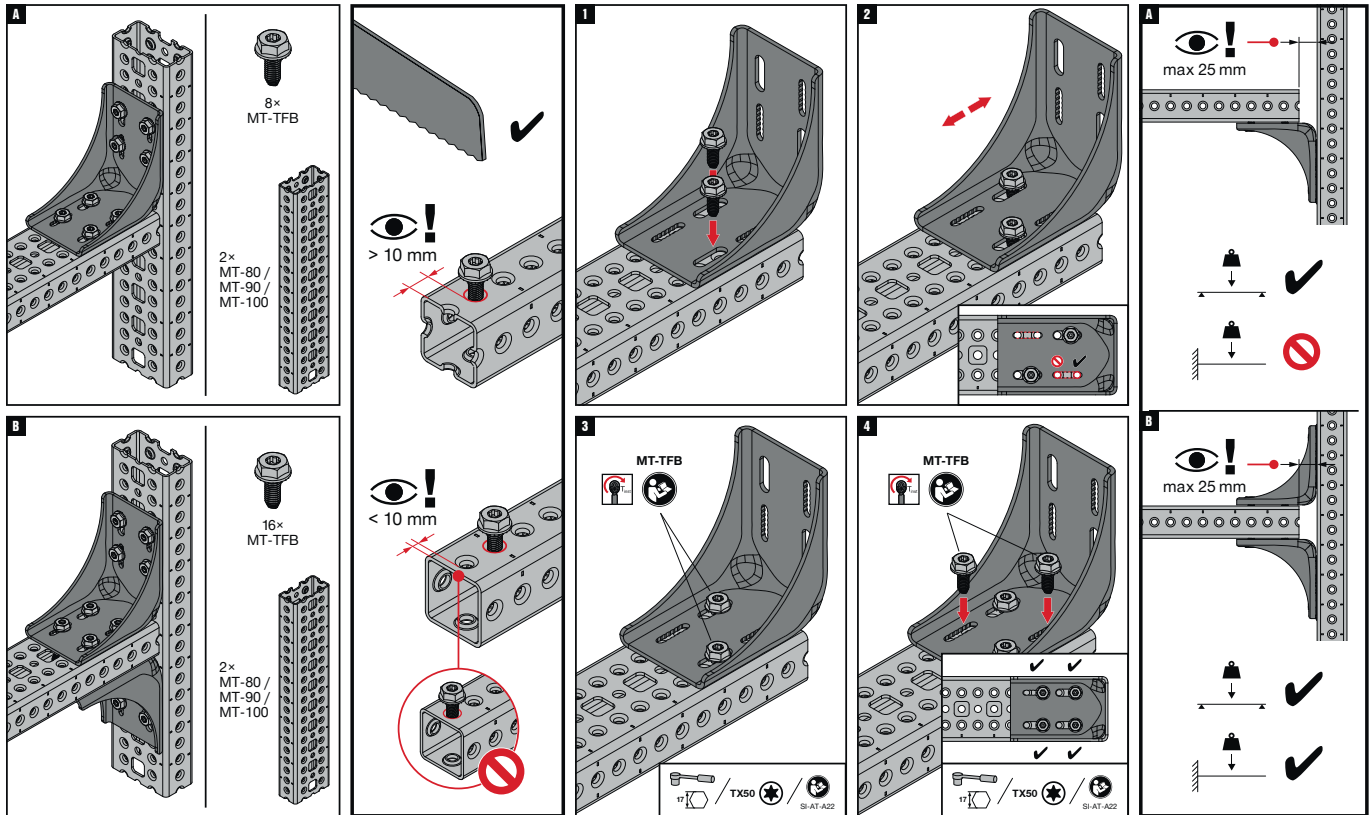
# MT Closed Profiles Connectors

## 90° Connectors - Outdoor

4

### Operation Instruction MT-C-GL A OC

2289568-09 2/2020

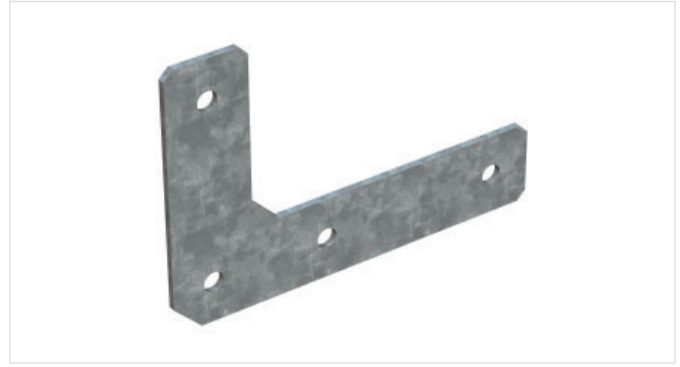


The latest IFU (Instruction For Use) is available on Hilti Online. Please check for any revisions before installing the product.



## MT Closed Profiles Connectors

### 90° Connectors - Outdoor



#### Applications

- Fastening L-shaped connections between any MT closed profiles or strut channels
- Suitable for use in moderately corrosive environments

#### Technical data

Material composition	Q355 or better steel
Surface finish	Hot-dip galvanized - for outdoor use

#### Advantages

- Part of the Hilti MT system – an economical, all-in-one solution for virtually all modular MEP support structures
- Easy to install – one-step assembly using Hilti MT-TFB thread-forming bolts
- Adaptable – unlike welding, gusset plates allow modular metal framing to be modified during installation and for future MEP requirements
- Adjustable – cloud holes enable height adjustment in 5mm increments

### MT-C-GSP L OC Connector - Outdoor

Order Designation	Technical data	Sales pack Quantity	Item number	
MT-C-GSP L OC	Outdoor, low to moderate pollution (C3 / C4 - low)	10 pc	2272073	

### MT-C-GSP L A OC Connector - Outdoor

Order Designation	Technical data	Sales pack Quantity	Item number	
MT-C-GSP L A OC	Outdoor, low to moderate pollution (C3 / C4 - low)	10 pc	2332786	

## MT Closed Profiles Connectors

### 90° Connectors - Outdoor

#### MT-C-GSP T OC Angle Connector - Outdoor

Order Designation	Technical data	Sales pack Quantity	Item number	
MT-C-GSP T OC	Outdoor, low to moderate pollution (C3 / C4 - low)	10 pc	2272074	

#### MT-C-GSP T A OC Angle Connector - Outdoor

Order Designation	Technical data	Sales pack Quantity	Item number	
MT-C-GSP T A OC	Outdoor, low to moderate pollution (C3 / C4 - low)	10 pc	2332785	

#### MT-C-GLP T OC Angle Connector - Outdoor

Order Designation	Technical data	Sales pack Quantity	Item number	
MT-C-GLP T OC	Outdoor, low to moderate pollution (C3 / C4 - low)	8 pc	2272075	

#### MT-C-GLP T A OC Angle Connector - Outdoor

Order Designation	Technical data	Sales pack Quantity	Item number	
MT-C-GLP T A OC	Outdoor, low to moderate pollution (C3 / C4 - low)	8 pc	2332784	

#### MT-C-GLP X A OC Angle Connector - Outdoor

Order Designation	Technical data	Sales pack Quantity	Item number	
MT-C-GLP X A OC	Outdoor, low to moderate pollution (C3 / C4 - low)	10 pc	2332783	

## MT Closed Profiles Connectors

### 90° Connectors - Outdoor

#### Technical data MT Connectors

Item image	Load drawing	Order Designation	+ Fz	- Fz	± Fx	± Fy
		MT-C-GSP T OC	7,1 kN	7,1 kN	46,7 kN	5,9 kN

**Design note**

- Shown load values are recommended values with partial safety factors for actions and resistance included
- Design value = 1.4 \* recommended value
- The design resistance of the products is defined in accordance with EN1993

#### Technical data MT Connectors

Item image	Load drawing	Order Designation	+ Fz	- Fz	± Fx	± Fy
		MT-C-GSP L A OC	14,0 kN	14,3 kN	19,8 kN	2,6 kN
		MT-C-GSP L OC	10,9 kN	11,1 kN	13,7 kN	3,5 kN
		MT-C-GSP T A OC	16,8 kN	16,8 kN	33,4 kN	2,1 kN
		MT-C-GLP T OC	25,0 kN	25,0 kN	86,7 kN	8,4 kN

**Design note**

- Shown load values are recommended values with partial safety factors for actions and resistance included
- Design value = 1.5 \* recommended value
- The design resistance of the products is defined in accordance with EN1993

## MT Closed Profiles Connectors

### 90° Connectors - Outdoor

4

#### Technical data MT Connectors

Item image	Load drawing	Order Designation	+ Fz	- Fz	± Fx	± Fy
		<b>MT-C-GLP T A OC</b>	24,7 kN	24,7 kN	66,1 kN	4,3 kN

#### Konstruktionshinweis:

- Die dargestellten Lastwerte sind empfohlene Widerstände, welche die Teilsicherheitsbeiwert für die Einwirkungen und den Widerstand bereit inkludiert haben.
- Design Widerstand = 1,5 \* empfohlener Widerstand
- Die Design Widerstände sind gemäß EN 1993 ermittelt

#### Design note

- Shown load values are recommended values with partial safety factors for actions and resistance included
- Design value = 1.5 \* recommended value
- The design resistance of the products is defined in accordance with EN1993

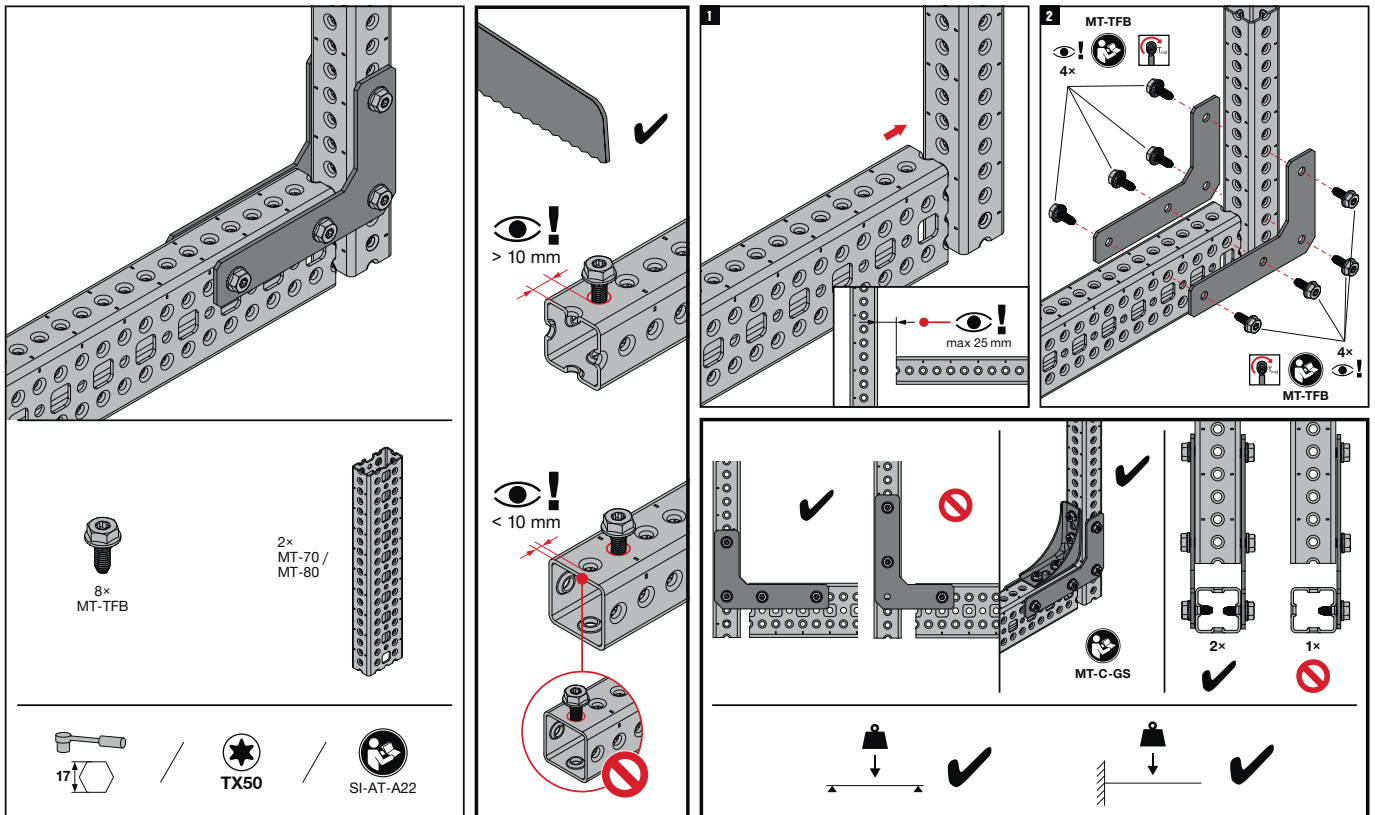
# MT Closed Profiles Connectors

## 90° Connectors - Outdoor

### Operation Instruction

#### MT-C-GSP L OC

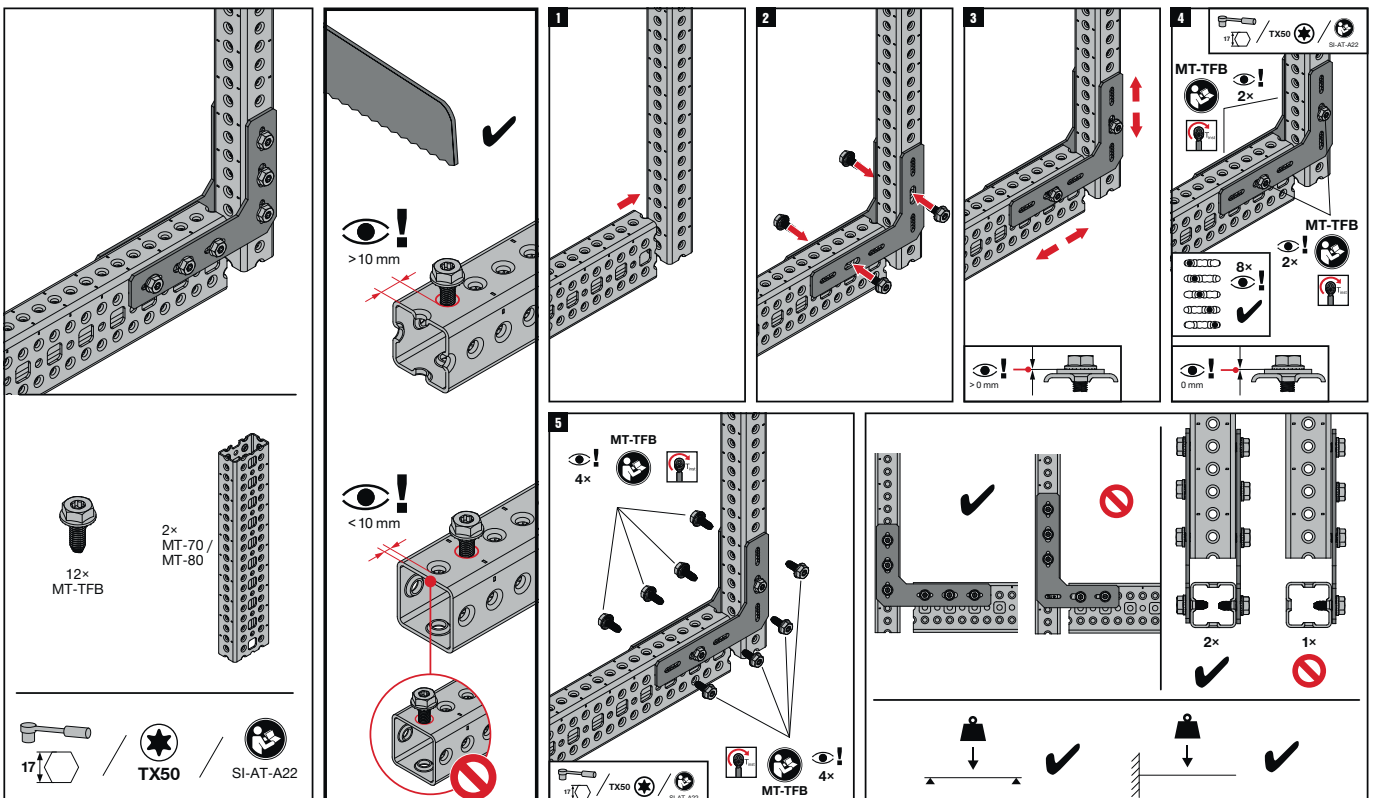
2289569-07.2020



The latest IFU (Instruction For Use) is available on Hilti Online. Please check for any revisions before installing the product.

#### MT-C-GSP L A OC

2334573-07.2021



The latest IFU (Instruction For Use) is available on Hilti Online. Please check for any revisions before installing the product.

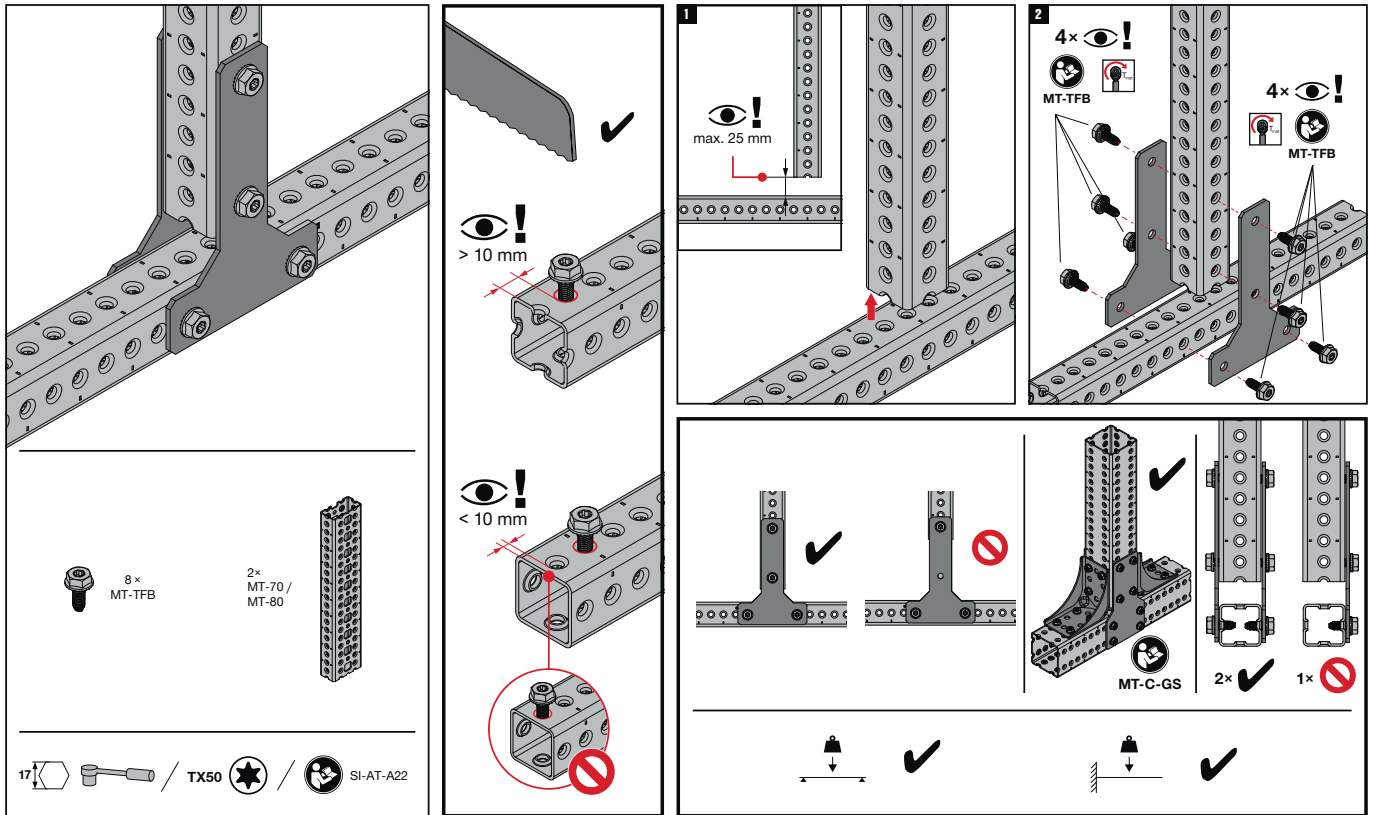
# MT Closed Profiles Connectors

## 90° Connectors - Outdoor

### Operation Instruction

#### MT-C-GSP T OC

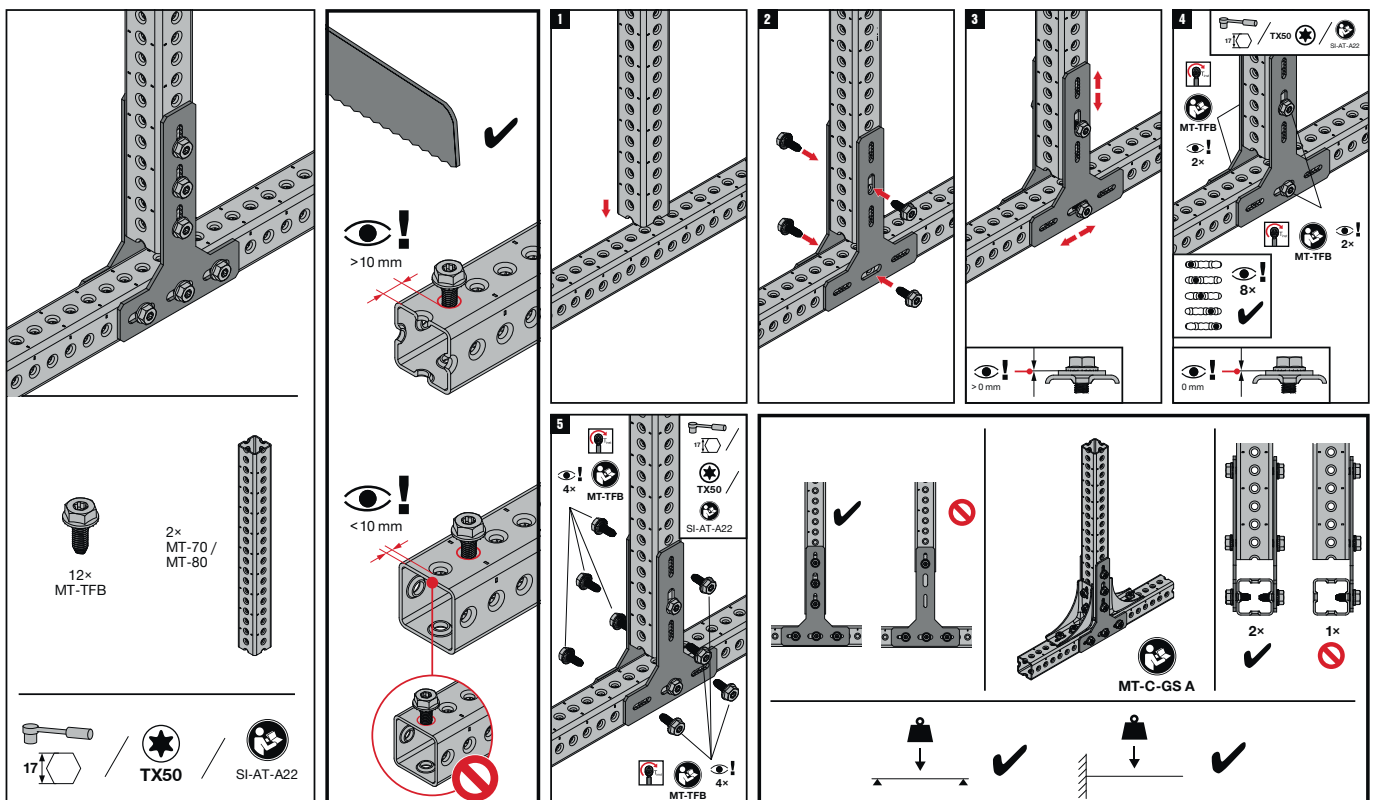
2290690-06.2020



The latest IFU (Instruction For Use) is available on Hilti Online. Please check for any revisions before installing the product.

#### MT-C-GSP T A OC

2334586-07.2021



The latest IFU (Instruction For Use) is available on Hilti Online. Please check for any revisions before installing the product.

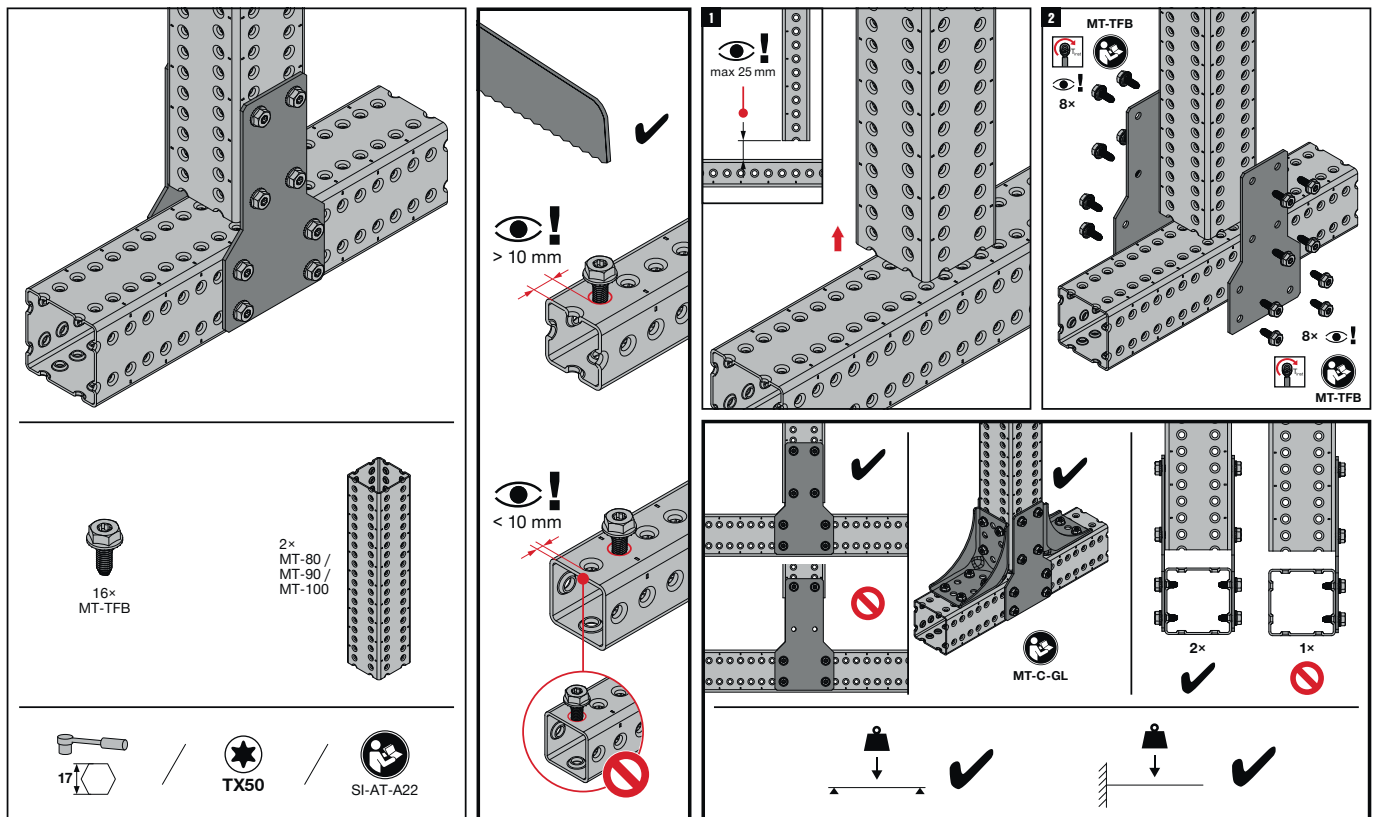
# MT Closed Profiles Connectors

## 90° Connectors - Outdoor

### Operation Instruction

#### MT-C-GLP T OC

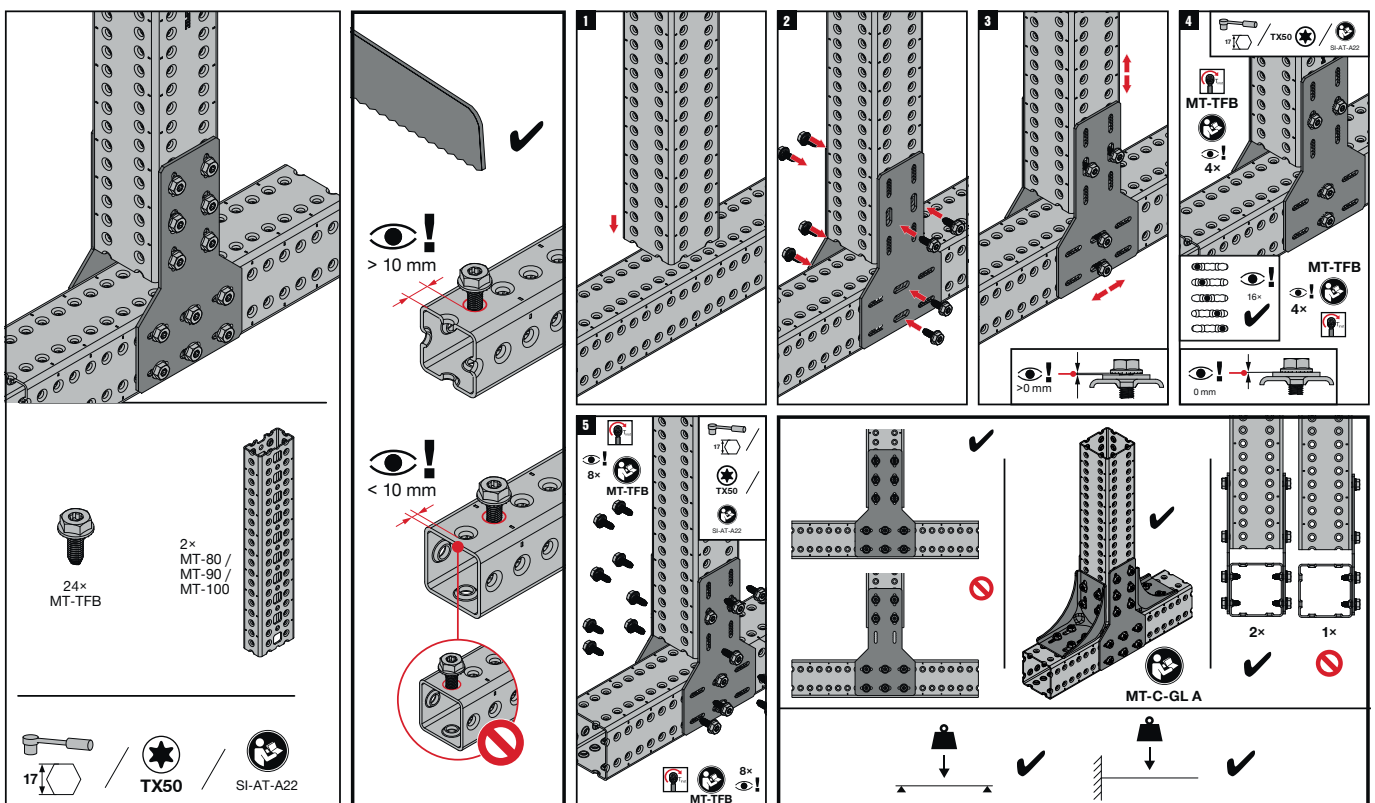
2290691-06.2020



The latest IFU (Instruction For Use) is available on Hilti Online. Please check for any revisions before installing the product.

#### MT-C-GLP T A OC

2334585-07.2021



The latest IFU (Instruction For Use) is available on Hilti Online. Please check for any revisions before installing the product.

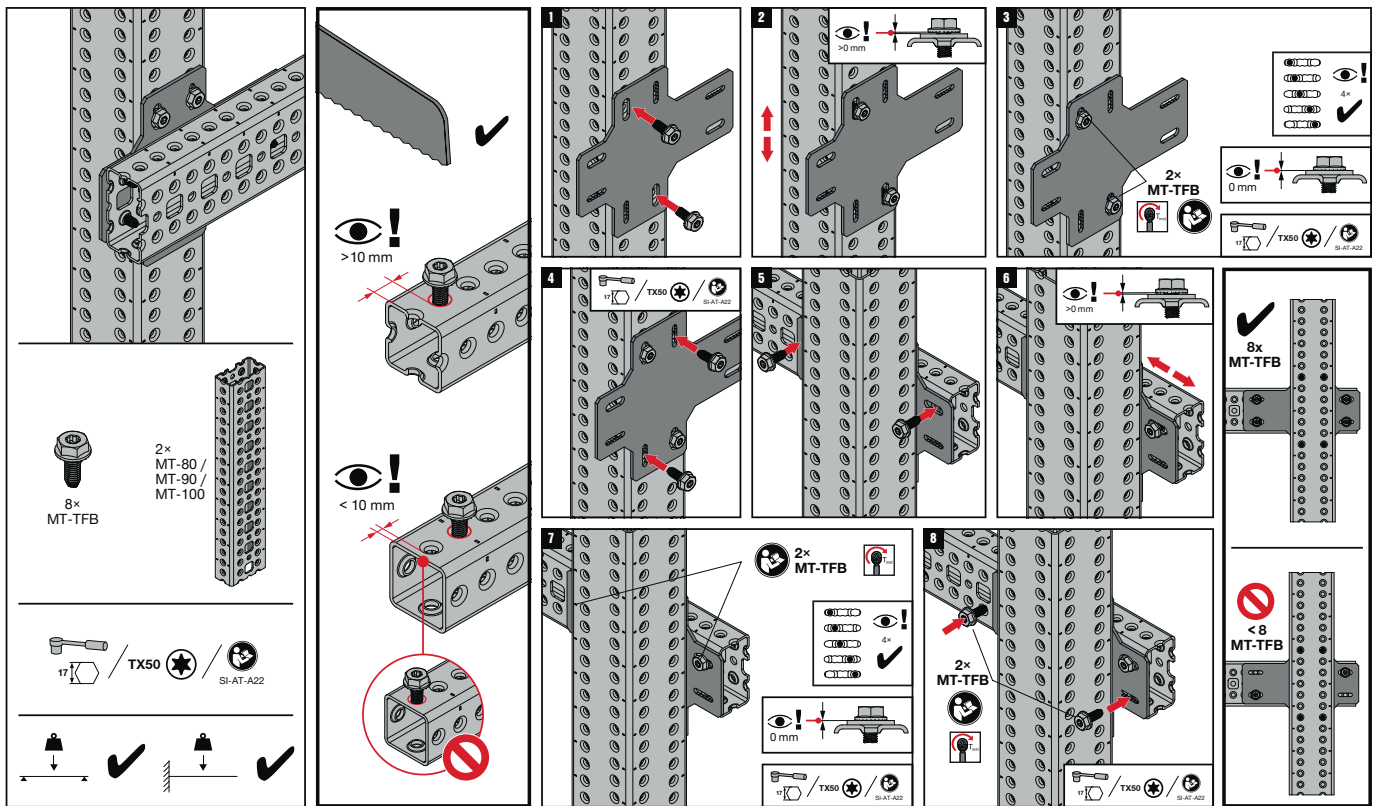
# MT Closed Profiles Connectors

## 90° Connectors - Outdoor

4

### Operation Instruction MT-C-GLP X A OC

2334584-07.2021



The latest IFU (Instruction For Use) is available on Hilti Online. Please check for any revisions before installing the product.



## MT Closed Profiles Connectors

### Splice Connectors - Outdoor



#### Applications

- Extending MT-70 or MT-80 closed profiles by fastening them together end-to-end
- Assembling metal framing for MEP support structures when longer spans or increased floor/ceiling clearance are required
- Suitable for use in moderately corrosive environments

#### Advantages

- Part of the Hilti MT system – an economical, all-in-one solution for virtually all modular MEP support structures
- Easy to install – one-step assembly using Hilti MT-TFB thread-forming bolts
- Adaptable – unlike welding, splice clevises allow modular metal framing to be modified for future MEP requirements

#### Technical data

Material composition	Q355 or better steel
Surface finish	Hot-dip galvanized - for outdoor use

### MT-ES-70 OC Splice Connector - Outdoor

Order Designation	Technical data	Sales pack Quantity	Item number	
MT-ES-70 OC	Outdoor, low to moderate pollution (C3 / C4 - low)	8 pc	2272078	

### MT-ES-90 OC Splice Connector - Outdoor


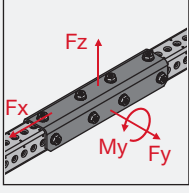

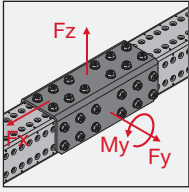
Order Designation	Technical data	Sales pack Quantity	Item number	
MT-ES-90 OC	Outdoor, low to moderate pollution (C3 / C4 - low)	4 pc	2272076	

## MT Closed Profiles Connectors

### Splice Connectors - Outdoor

4

#### Technical data MT Splice Connector

Item image	Load drawing	Order Designation	+ Fz	- Fz	± Fx	± Fy	± My
		<b>MT-ES-70 OC</b>	1,7 kN	1,7 kN	26,3 kN	2,3 kN	1,63 kNm
		<b>MT-ES-90 OC</b>	5,0 kN	4,7 kN	44,3 kN	4,7 kN	3,5 kNm

**Design note**

- Shown load values are recommended values with partial safety factors for actions and resistance included
- Design value = 1,5 \* recommended value
- The design resistance of the products is defined in accordance with EN1993

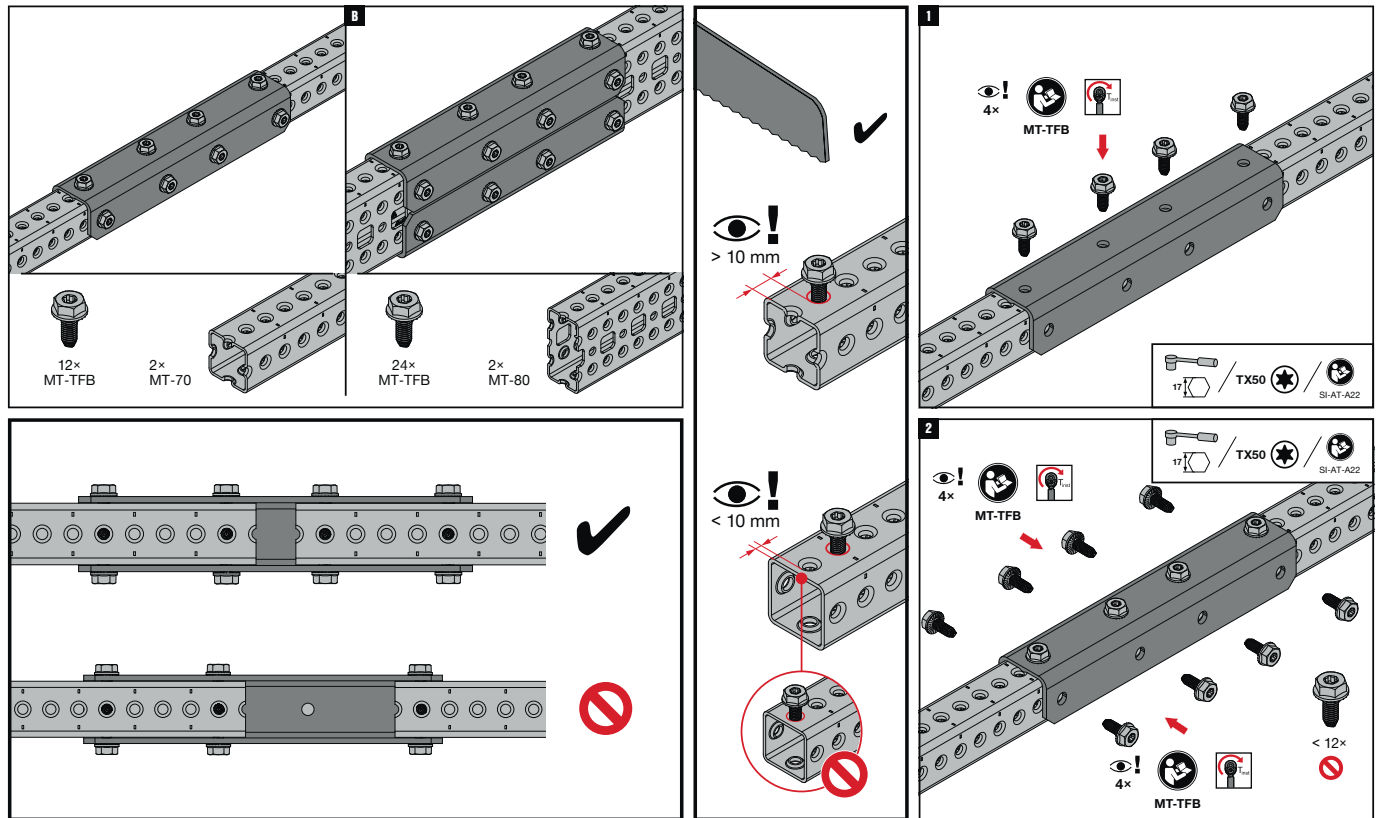
# MT Closed Profiles Connectors

## Splice Connectors - Outdoor

### Operation Instruction

#### MT-ES-70 OC

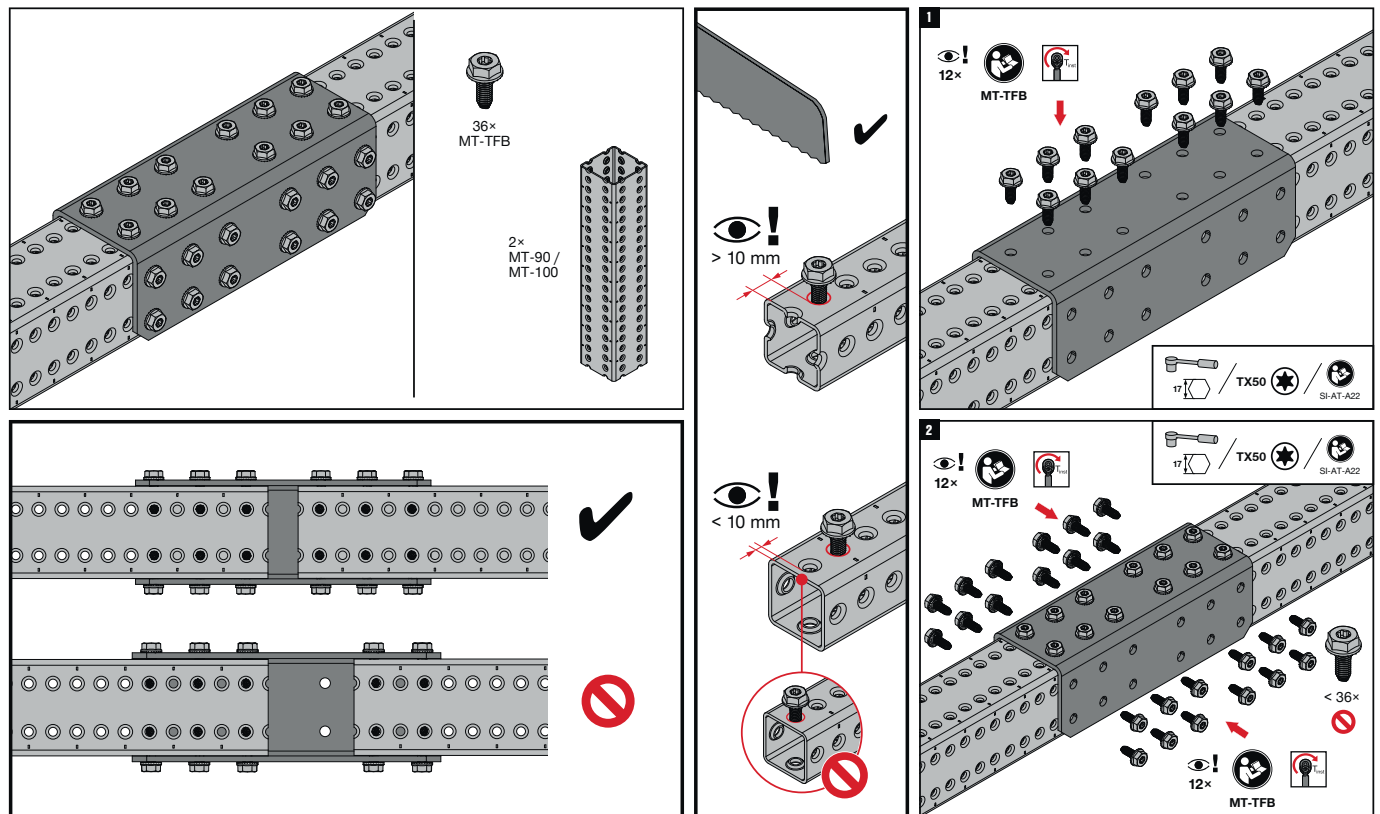
2290693-06.2020



The latest IFU (Instruction For Use) is available on Hilti Online. Please check for any revisions before installing the product.

#### MT-ES-90 OC

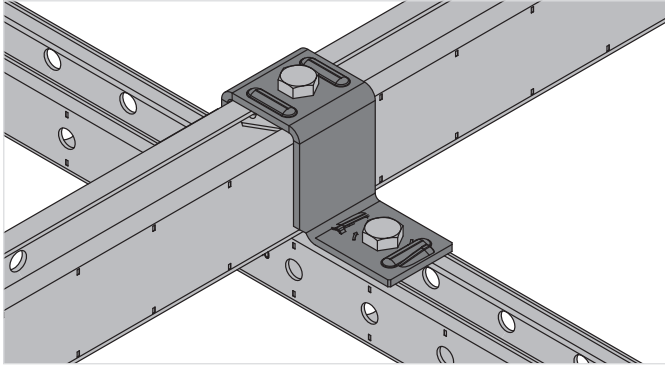
2290692-06.2020



The latest IFU (Instruction For Use) is available on Hilti Online. Please check for any revisions before installing the product.

## MT Channel Clamp - Outdoor

4



### Applications

- Cross-connection of one strut girder to another channel or girder
- Suitable for use in moderately corrosive environments

### Technical data

Material composition	Q355 or better steel
Surface finish	Hot-dip galvanized - for outdoor use

### Advantages

- Compatible with MT Twist-Lock and MT Thread Forming Bolt channel connectors – for much faster, adaptable assembly
- Universal – complete many different applications using few parts
- Twist-lock and Thread Forming Bolt channel connector takes up shear and tensile loads

## MT-CC-70 OC Channel Clamp - Outdoor

Order Designation	Technical data	Sales pack Quantity	Item number	
MT-CC-70 OC	Outdoor, low to moderate pollution (C3 / C4 - low)	16 pc	2322404	

### Technical data Channel Clamp

Item image	Load drawing	Order Designation	+ Fz	- Fz	± Fx	± Fy
		MT-CC-70 OC	-	5,4 kN	2,5 kN	3,6 kN

**Design note**

- Shown load values are recommended values with partial safety factors for actions and resistance included
- Design value = 1.4 \* recommended value
- The design resistance of the products is defined in accordance with EN1993

# MT Channel Clamps - Outdoor

## Operation Instruction

### MT-CC-70

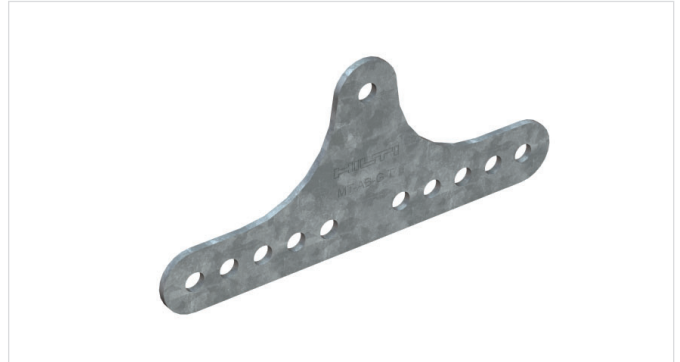
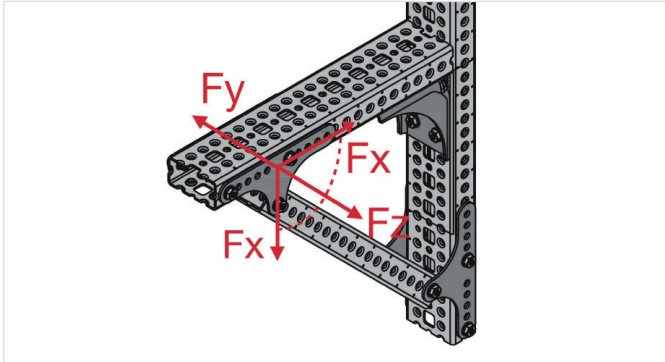
232516-04.2021

CC	CI		CII	
MT-CC-30	MT-30	1x MT-TLB		2x MT-TLB
MT-CC-30D	MT-30D			
MT-CC-55	MT-55	1x MT-TL M10		2x MT-TL M10
MT-CC-55D	MT-55D			
MT-CC-60	MT-60			
MT-CC-70	MT-70	1x MT-TFB		

CC	CI		CII	
MT-CC-30	MT-30	1x MT-TLB		2x MT-TFB
MT-CC-30D	MT-30D			
MT-CC-55	MT-55	1x MT-TL M10		
MT-CC-55D	MT-55D			
MT-CC-60	MT-60			
MT-CC-70	MT-70	1x MT-TFB		

The latest IFU (Instruction For Use) is available on Hilti Online. Please check for any revisions before installing the product.

## MT Closed Profiles Connectors Brace Connectors - Outdoor



### Applications

- Creating a pivoting connection between two MT closed profiles
- Bracing metal framing and MEP support structures
- Suitable for use in moderately corrosive environments

### Advantages

- Part of the Hilti MT system – an economical, all-in-one solution for virtually all modular MEP support structures
- Adaptable – unlike welding, modular metal framing can be modified for future MEP requirements
- Extensive software support – PROFIS Modular Support Engineering, the MEP Support Selector, Revit® families, and plug-ins for Staad Pro® and Smart 3D® are all available to streamline design and ordering

### Technical data

Material composition	Q355 or better steel
Surface finish	Hot-dip galvanized - for outdoor use

## MT-AB-G T OC Angle Brace - Outdoor

Order designation	Technical data	Sales pack Quantity	Item number	
MT-AB-G T OC	Outdoor, low to moderate pollution (C3 / C4 - low)	4 pc	2272116	

### Technical Data Angle Brace

Item image	Load drawing	Order Designation	+ Fz	- Fz	± Fx	± Fy
		MT-AB-G T / MT-AB-G T OC	4,3 kN	4,3 kN	21,4 kN	-

**Design note**

- Shown load values are recommended values with partial safety factors for actions and resistance included
- Design value = 1.5 \* recommended value
- The design resistance of the products is defined in accordance with EN1993

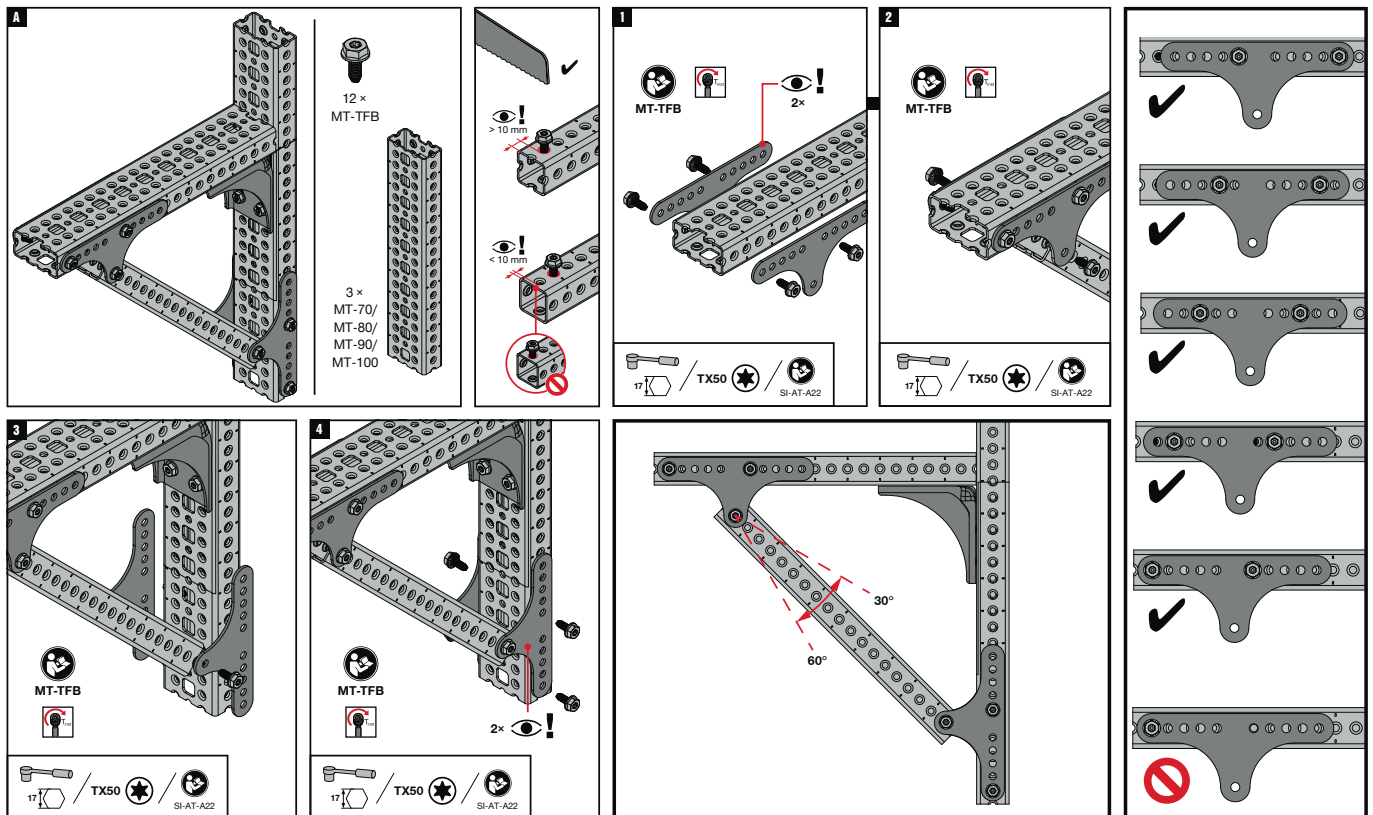
# MT Closed Profiles Connectors

## Brace Connectors - Outdoor

### Operation Instruction

#### MT-AB-G T OC

2294697-06 2020

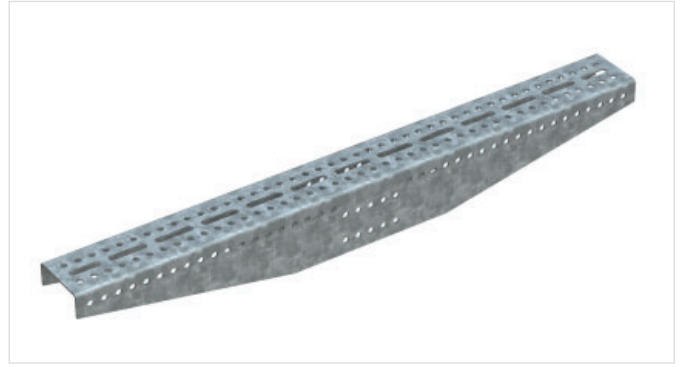


The latest IFU (Instruction For Use) is available on Hilti Online. Please check for any revisions before installing the product.

## MT Closed Profiles Connectors

### T-beam - Outdoor

4



#### Applications

- Constructing T-beams to support heavy-duty MEP installations by fastening to an upright MT-90 or MT-100 closed profile
- Suitable for use in moderately corrosive environments

#### Advantages

- Part of the Hilti MT system – an economical, all-in-one solution for virtually all modular MEP support structures
- Easy to install – one-step assembly using Hilti MT-TFB thread-forming bolts
- Optimized load-to-weight ratio – engineered for maximum pipe ring/cable tray capacity with minimum self-weight

#### Technical data

Material composition	Q355 or better steel
Surface finish	Hot-dip galvanized - for outdoor use

### MT-U-GL1 OC T-beam - Outdoor

Order Designation	Technical data	Sales pack Quantity	Item number	
MT-U-GL1 OC	Outdoor, low to moderate pollution (C3 / C4 - low)	2 pc	2272070	

#### Technical data T-beam

Item image	Load drawing	Order Designation	+ Fz	- Fz	± Fx	± Fy
		MT-U-GL1 OC	23,8 kN	23,8 kN	68,8 kN	6,8 kN

#### Design note

- Shown load values are recommended values with partial safety factors for actions and resistance include
- Design value = 1.5 \* recommended value
- The design resistance of the products is defined in accordance with EN1993



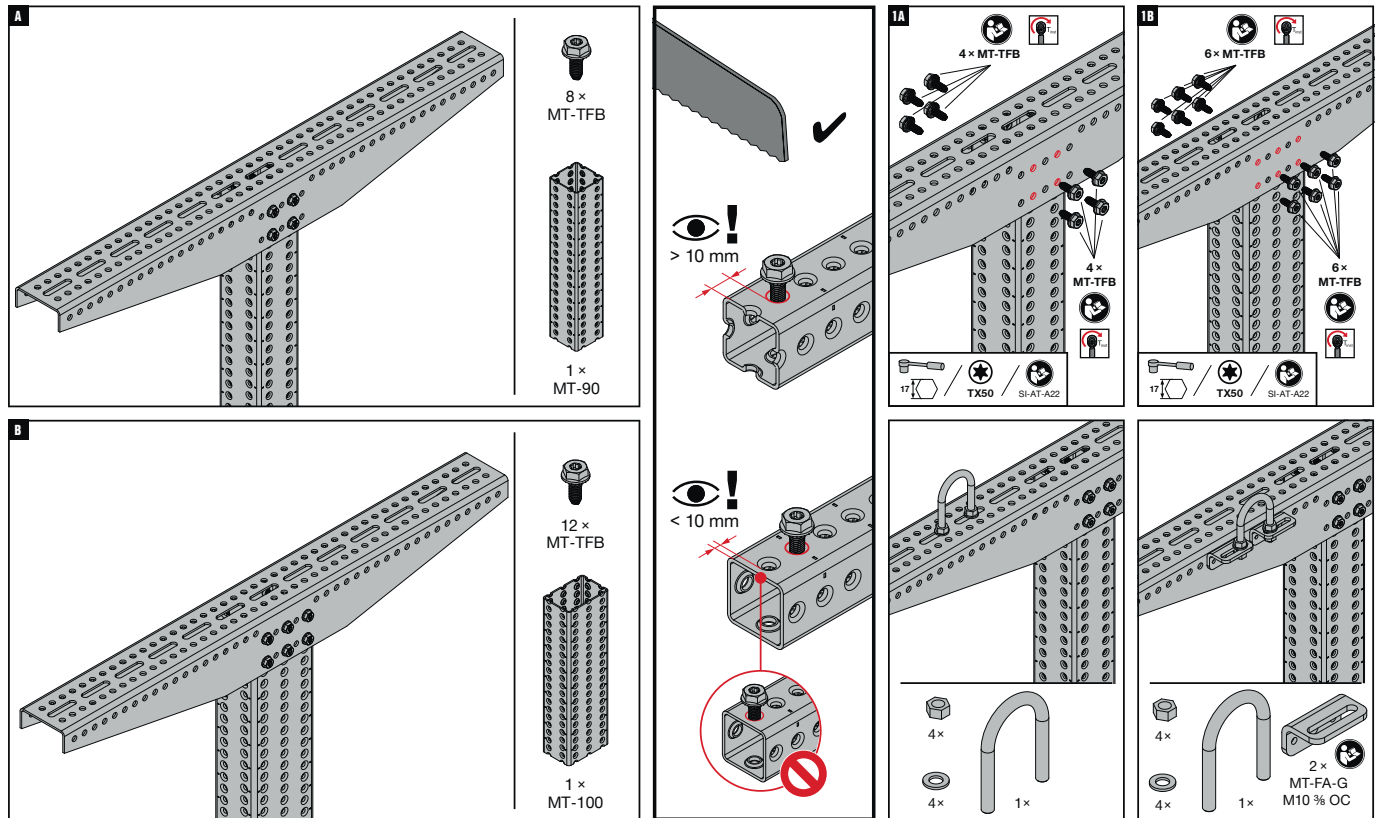
# MT Closed Profiles Connectors

## T-beam Outdoor

### Operation Instruction

#### MT-C-U-GL 1 OC

2312252-09.2020

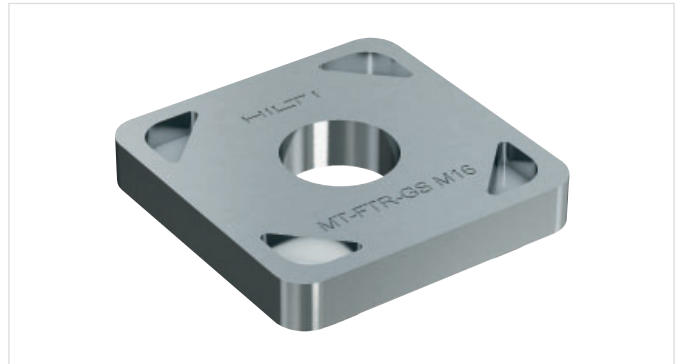
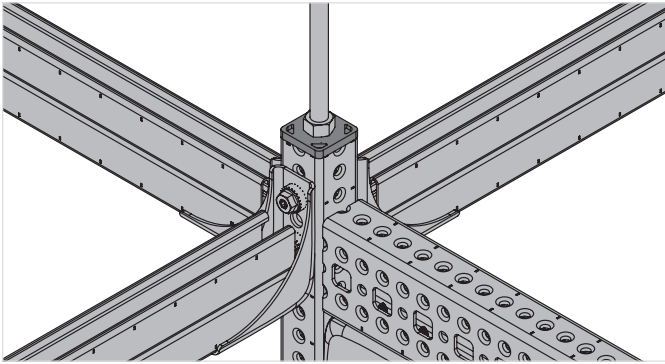


The latest IFU (Instruction For Use) is available on Hilti Online. Please check for any revisions before installing the product.

## MT Closed Profiles Connectors

### Threaded Rod Guide

4



#### Applications

- Closing the 2 ends of a MT-70 closed profile
- Building the core of overhead grids
- Suitable for use in dry, indoor environments

#### Advantages

- Easy to install – adjustable, modular system
- Flexible – overhead grid system offers you high flexibility in terms of number and type of profiles to be used
- Extensive software support – PROFIS Modular Support Engineering, the MEP Support Selector, Revit® families, and plug-ins for Staad Pro® and Smart 3D® are all available to streamline design and ordering

#### Technical data

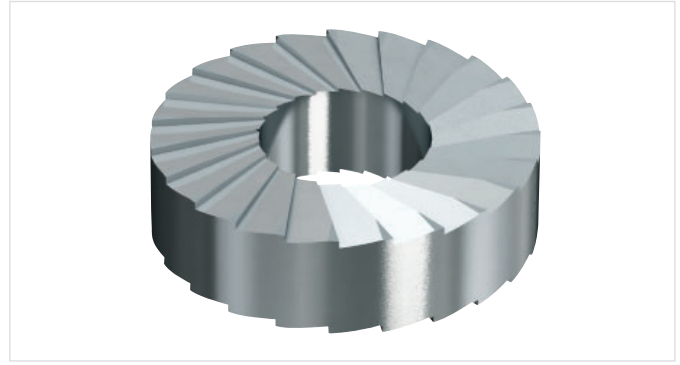
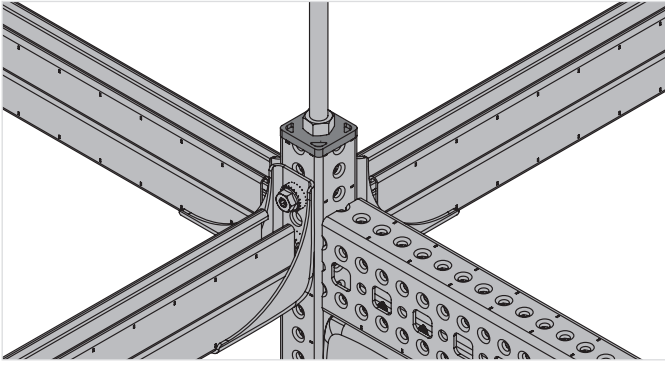
Material composition	Q235 or better steel
Surface finish	Indoor Coated - Electro galvanized

### MT-FTR-GS M12 / M16 Threaded Rod Guide

Order designation	Technical data	Sales pack Quantity	Item number	
MT-FTR-GS M12	Dry indoor conditions (C1) Indoor with temporary condensation (C2)	15 pc	2322417	
MT-FTR-GS M16		15 pc	2322418	

## MT Closed Profiles Connectors

### Thread Forming Bolt Distance Washer



#### Applications

- Assembling Hilti MT modular MEP support structures

#### Technical data

Material composition	Q355 or better steel
Surface finish	Indoor Coated - Electro galvanized

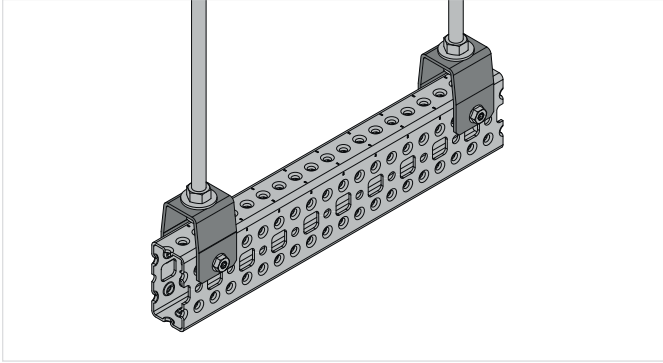
#### Advantages

- Part of the Hilti MT system – an economical, all-in-one solution for virtually all modular MEP support structures
- Serrated washer – better surface grip to resist loosening over time

### MT-FTR-GSW Washer

Order designation	Technical data	Sales pack Quantity	Item number	
MT-FTR-GSW	Dry indoor conditions (C1) Indoor with temporary condensation (C2)	20 pc	2325248	

**MT Closed Profiles Connectors**  
Threaded Rod Fixation - Outdoor



**Applications**

- Hanger for suspending MT-70 and MT-80 closed profiles from threaded rod to create heavy-duty MEP and HVAC trapeze
- Assembling trapeze for MEP and HVAC installations subject to loads too heavy for strut trapeze

**Advantages**

- Simpler inventory – these hangers make it possible to use standard MT closed profiles in more situations
- Corrosion resistance – hot-dip galvanized to help protect against moisture and chemical corrosion
- Compatible with MT Thread Forming Bolt channel connectors – for much faster, adaptable assembly

**Technical data**

<b>Material composition</b>	Q355 or better steel
<b>Surface finish</b>	Hot-dip galvanized - for outdoor use

**MT-CTR-GS M12 / M16 OC Threaded Rod Fixation - Outdoor**

Order Designation	Technical data	Sales pack Quantity	Item number	
MT-CTR-GS M12 OC	Outdoor, low to moderate pollution (C3 / C4 - low)	16 pc	2332789	
MT-CTR-GS M16 OC		16 pc	2332790	

## MT Closed Profiles Connectors

### Threaded Rod Fixation - Outdoor

#### MT-CTR-GL M12 / M16 OC Threaded Rod Fixation - Outdoor

Order Designation	Technical data	Sales pack Quantity	Item number	
MT-CTR-GL M12 OC	Outdoor, low to moderate pollution (C3 / C4 - low)	16 pc	2332793	
MT-CTR-GL M16 OC		16 pc	2332796	

## MT Closed Profiles Connectors

### Threaded Rod Guide, Threaded Rod Fixation

4

#### Technical data Threaded rod guide

Item image	Load drawing	Order Designation	+ Fz	- Fz	± Fx	± Fy
		MT-FTR-GS + MT-40 D	-	2,0 kN	-	-
		MT-FTR-GS + MT-80	-	5,0 kN	-	-

**Design note**

- Shown load values are recommended values with partial safety factors for actions and resistance included
- Design value = 1,4 \* recommended value
- The design resistance of the products is defined in accordance with EN1993

#### Technical data Threaded rod fixation

Item image	Load drawing	Order Designation	+ Fz	- Fz	± Fx	± Fy
		MT-CTR GS M12 OC	-	11,0 kN	-	-
		MT-CTR GS M16 OC	-	11,0 kN	-	-
		MT-CTR GL M12 OC	-	15,0 kN	-	-
		MT-CTR GL M16 OC	-	15,0 kN	-	-

**Design note**

- Shown load values are recommended values with partial safety factors for actions and resistance included
- Design value = 1,5 \* recommended value
- The design resistance of the products is defined in accordance with EN1993

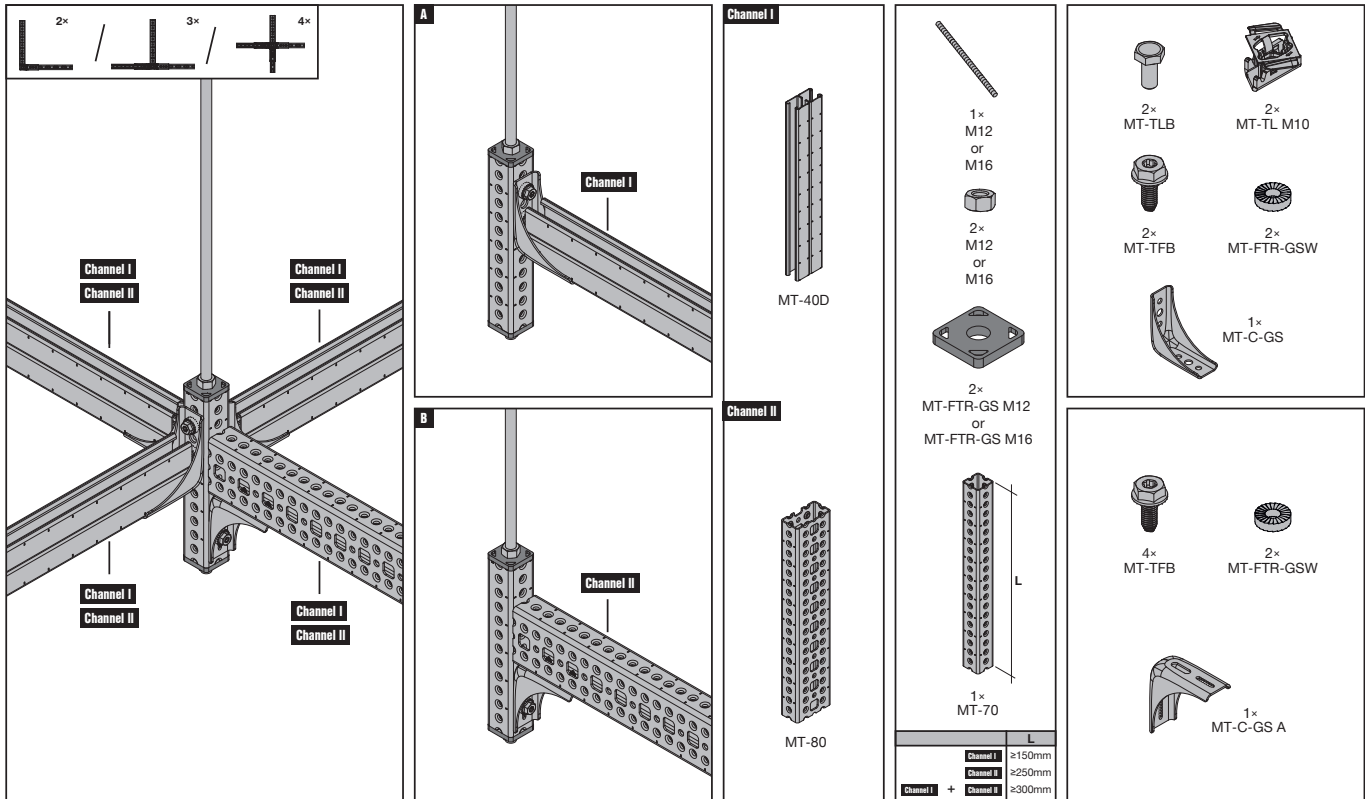
# MT Closed Profiles Connectors

## Threaded Rod Guide

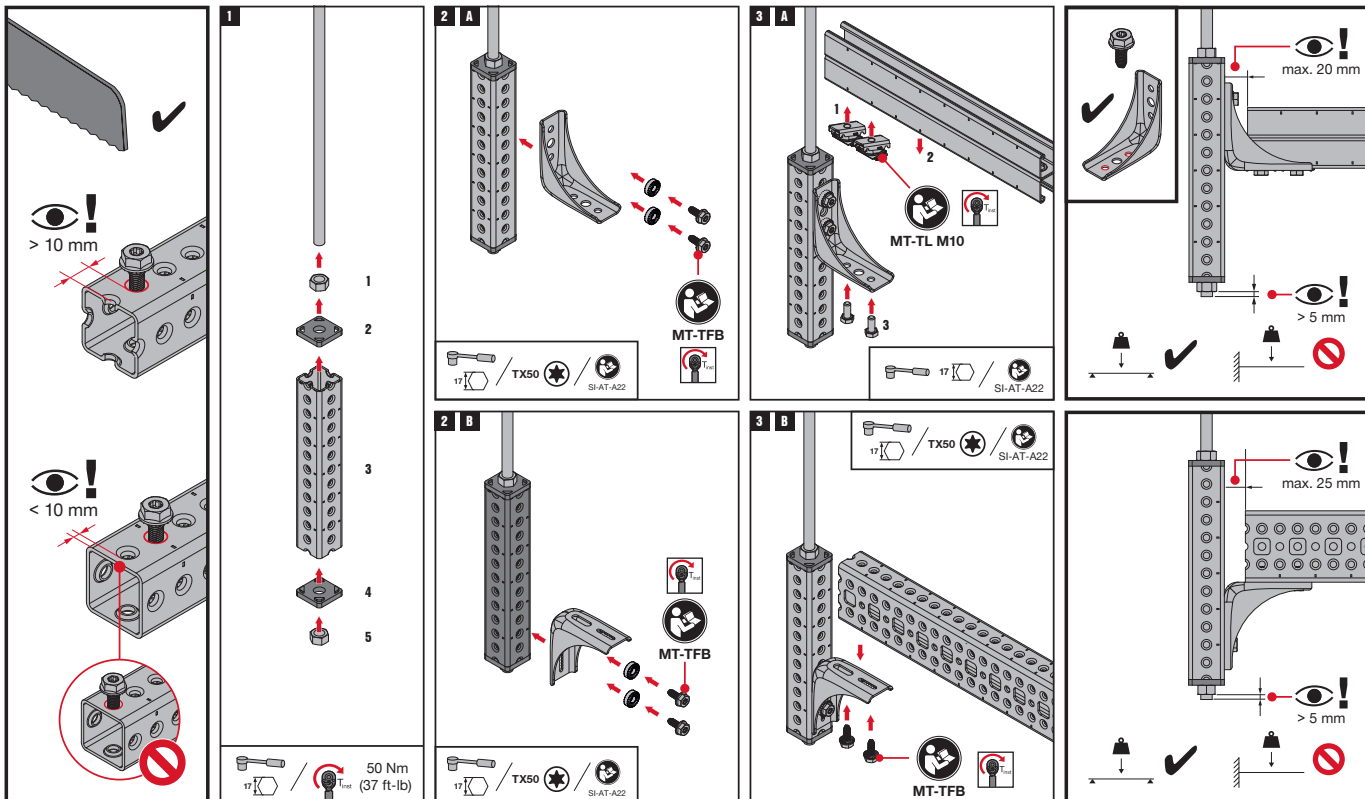
### Operation Instruction

MT-FTR-GS M12/M16 / MT-FTR-GSW

2325320-04 2020



The latest IFU (Instruction For Use) is available on Hilti Online. Please check for any revisions before installing the product.

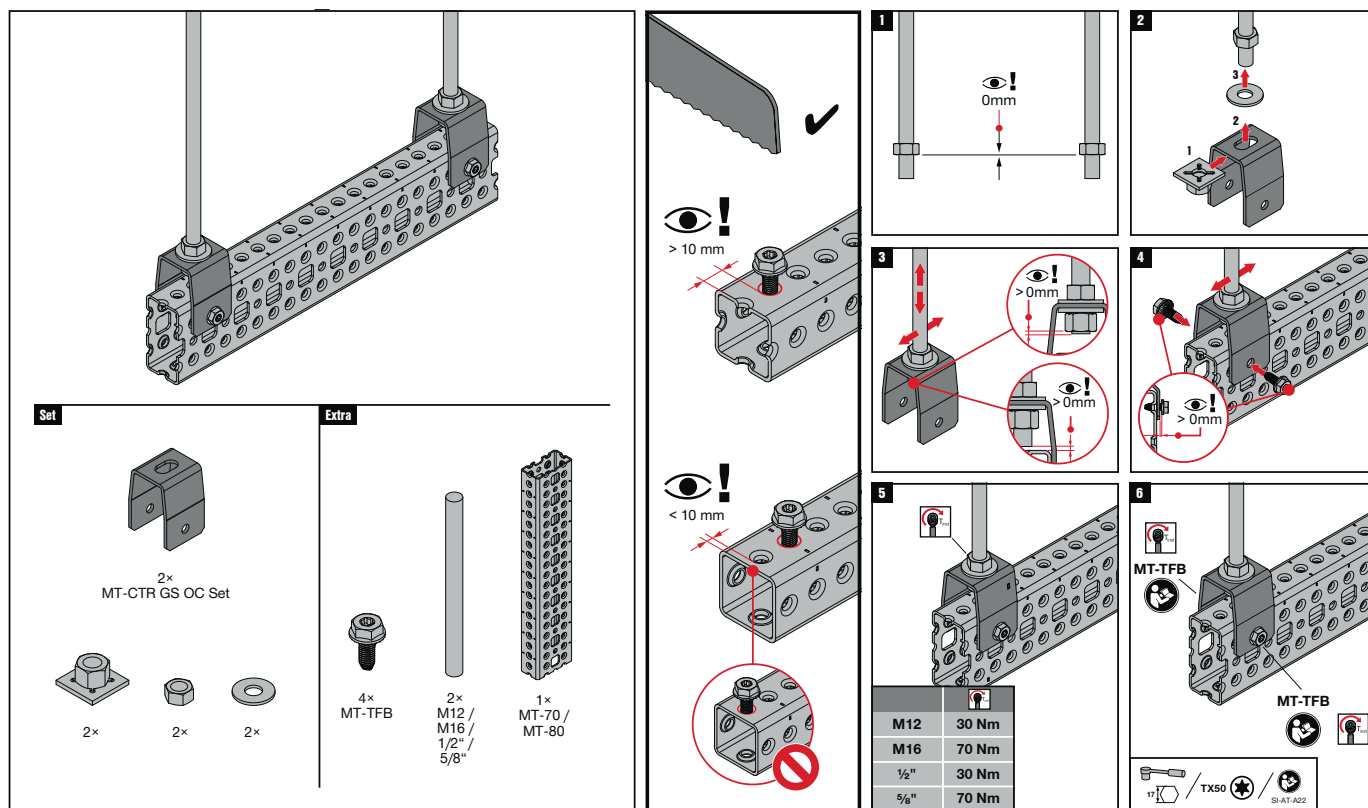


The latest IFU (Instruction For Use) is available on Hilti Online. Please check for any revisions before installing the product.

## MT Closed Profiles Connectors Threaded Rod Fixation

### Operation Instruction MT-CTR GS OC

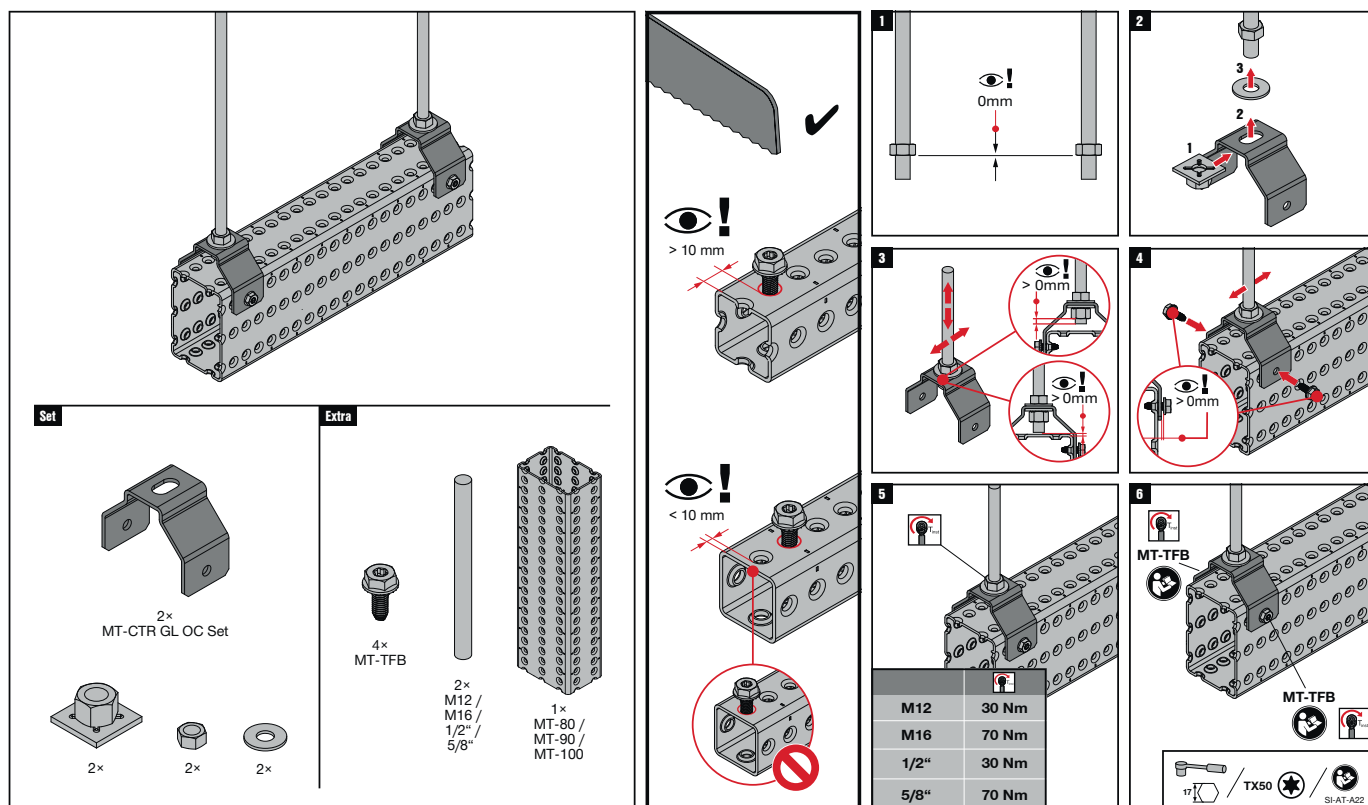
2334574-07.2021



The latest IFU (Instruction For Use) is available on Hilti Online. Please check for any revisions before installing the product.

### MT-CTR GL OC

233483-07.2020

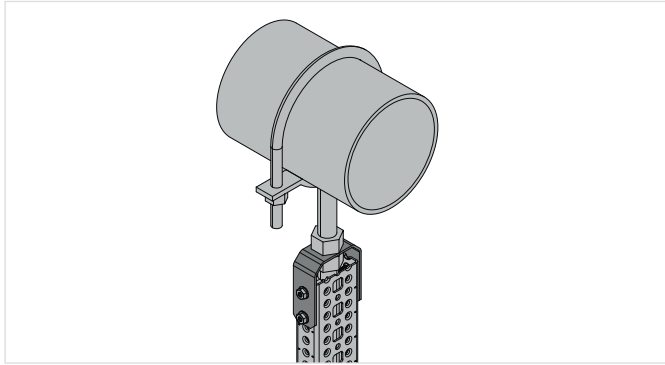


The latest IFU (Instruction For Use) is available on Hilti Online. Please check for any revisions before installing the product.



## MT Closed Profiles Connectors

### Pipe Stanchion - Outdoor



4

#### Applications

- Fastening single pipe saddles to the top of a vertical closed profile
- Suitable for outdoor environments with low to moderate pollution (C3)

#### Advantages

- Part of the Hilti MT system – an economical, all-in-one solution for virtually all modular MEP support structures
- Simpler installation – full vertical adjustability from the end of the vertical closed profile
- Easier to transport – lower weight compared to previous versions

#### Technical data

Material composition	Q355 or better steel
Surface finish	Hot-dip galvanized - for outdoor use

### MT-C-PS 5/8 / 7/8 / 1-1/4 OC Pipe Stanchion - Outdoor

Order Designation	Technical data	Sales pack Quantity	Item number	
MT-C-PS 5/8 OC	Outdoor, low to moderate pollution (C3 / C4 - low)	10 pc	2343196	
MT-C-PS 7/8 OC		10 pc	2343197	
MT-C-PS 1-1/4 OC		10 pc	2343198	

## MT Closed Profiles Connectors

### Pipe Stanchion - Outdoor

4

#### Technical data Pipe Stanchion

Item image	Load drawing	Order Designation	+ Fz	- Fz	± Fy
		MT-C-PS 5/8 OC	-	5,6 kN	1,5 kN
		MT-C-PS 7/8 1 OC	-	5,6 kN	1,5 kN
		MT-C-PS 1-1/4 OC	-	5,6 kN	1,5 kN

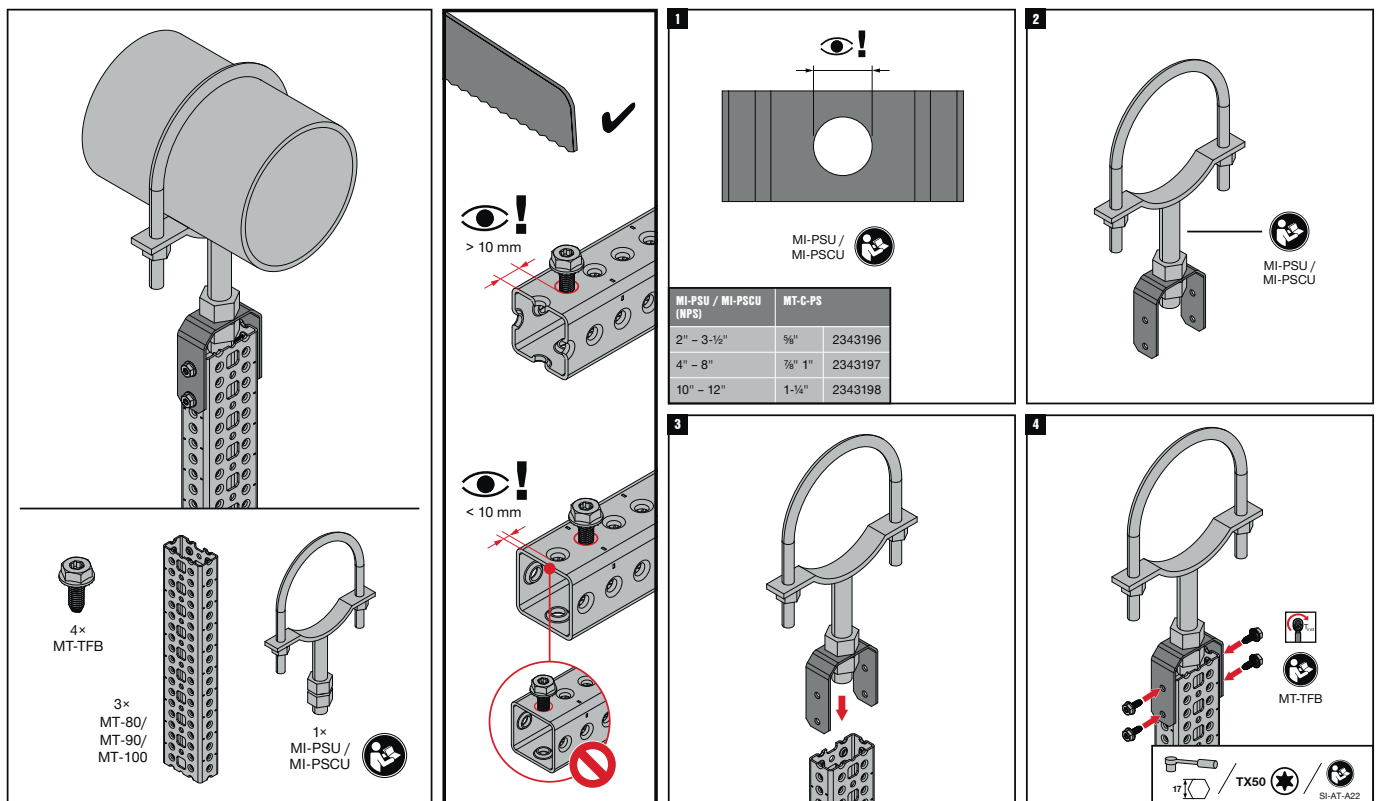
**Design note**

- Shown load values are recommended values with partial safety factors for actions and resistance included
- Design value = 1.5 \* recommended value
- The design resistance of the products is defined in accordance with EN1993

## Operation Instruction

### MT-C-PS 5/8 OC / MT-C-PS 7/8 OC / MT-C-PS 1-1/4 OC

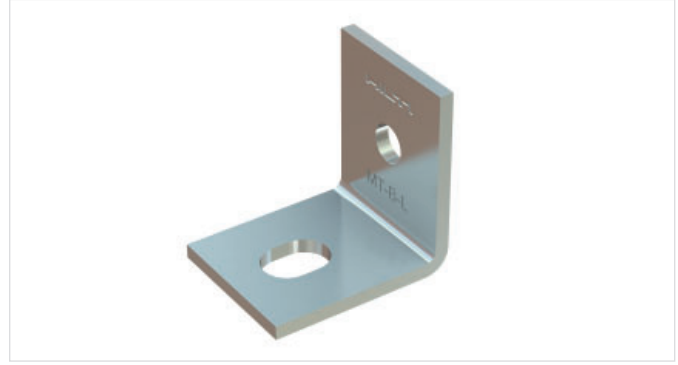
2347906-10.2021



The latest IFU (Instruction For Use) is available on Hilti Online. Please check for any revisions before installing the product.

## MT Open C-channel (Strut) Base Material Connectors

### 90° Connectors



#### Applications

- Fastening MT strut channel to concrete floors, walls or ceilings
- Fastening MT strut channel to structural steel
- Anchoring metal framing and MEP support structures with extra-light loads to a base material

#### Advantages

- Part of the Hilti MT system – an economical, all-in-one solution for virtually all modular MEP support structures
- Easy to install – compatible with the Hilti MT Twist-Lock, a faster alternative to spring nuts for assembling a modular support system
- Adjustable – slotted anchor hole to simplify baseplate positioning and fastening

#### Technical data

Material composition	Q235 or better steel
Surface finish	Pre-galvanized - for dry indoor use only

### MT-B-L Base Material Connector 1-hole

Order Designation	Technical Data	Sales pack quantity	Item number	
MT-B-L	Dry indoor conditions (C1) Indoor with temporary condensation (C2)	20 pc	2272086	

### MT-B-T Base Material Connector 2-hole

Order Designation	Technical Data	Sales pack quantity	Item number	
MT-B-T	Dry indoor conditions (C1) Indoor with temporary condensation (C2)	20 pc	2272090	

## MT Open C-channel (Strut) Base Material Connectors

### 90° Connectors

5

#### MT-B-O2 Base Material Connector - 2 hole

Order Designation	Length	Thickness	Weight	Technical data	Sals pack quantity	Item number	
MT-B-O2	185 mm	4 mm	1027 g	Dry indoor conditions (C1) Indoor with temporary condensation (C2)	12 pc	2272094	

#### MT-B-O2B Base Material Connector - 2 hole

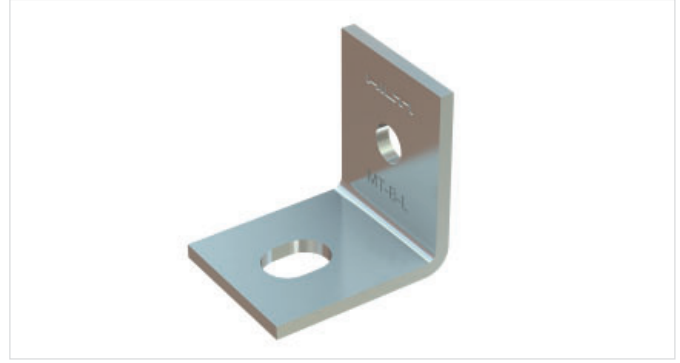
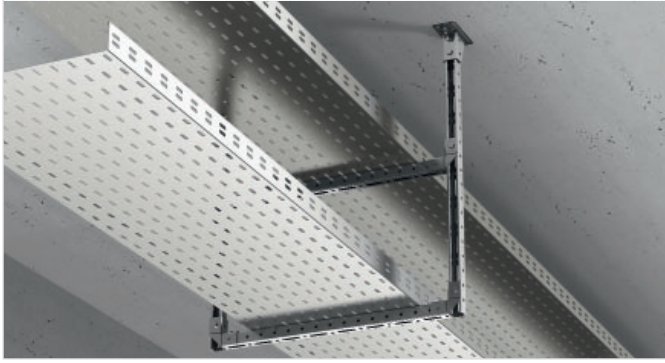
Order Designation	Length	Thickness	Weight	Technical data	Sals pack quantity	Item number	
MT-B-O2B	200 mm	8 mm	2072 g	Dry indoor conditions (C1) Indoor with temporary condensation (C2)	6 pc	2282212	

#### MT-B-O4 Base Material Connector - 4 hole

Order Designation	Length	Thickness	Weight	Technical data	Sals pack quantity	Item number	
MT-B-O4	200 mm	8 mm	3315 g	Dry indoor conditions (C1) Indoor with temporary condensation (C2)	4 pc	2272098	

## MT Open C-channel (Strut) Base Material Connectors

90° Connectors - Outdoor



5

### Applications

- Fastening MT strut channel to concrete floors, walls or ceilings
- Fastening MT strut channel to structural steel
- Anchoring metal framing and MEP support structures with extra-light loads to a base material

### Advantages

- Part of the Hilti MT system – an economical, all-in-one solution for virtually all modular MEP support structures
- Easy to install – compatible with the Hilti MT Twist-Lock, a faster alternative to spring nuts for assembling a modular support system
- Adjustable – slotted anchor hole to simplify baseplate positioning and fastening

### Technical data

Material composition	Q235 or better steel
Surface finish	Hot-dip galvanized - for outdoor use

### MT-B-L OC Base Material Connector - 1-hole - Outdoor

Order Designation	Length	Thickness	Weight	Technical data	Sals pack quantity	Item number	
MT-B-L OC	52 mm	4 mm	119 g	Outdoor, low to moderate pollution (C3 / C4 - low)	20 pc	2272088	

### MT-B-T OC Base Material Connector - 2-hole - Outdoor

Order Designation	Length	Thickness	Weight	Technical data	Sals pack quantity	Item number	
MT-B-T OC	112 mm	2 mm	569 g	Outdoor, low to moderate pollution (C3 / C4 - low)	20 pc	2272092	

## MT Open C-channel (Strut) Base Material Connectors

### 90° Connectors - Outdoor

5

#### MT-B-02 OC Base Material Connector - 2-hole - Outdoor

Order Designation	Length	Thickness	Weight	Technical data	Sals pack quantity	Item number	
MT-B-02 OC	185 mm	4 mm	1031 g	Outdoor, low to moderate pollution (C3 / C4 - low)	12 pc	2272096	

#### MT-B-02B OC Base Material Connector - 2-hole - Outdoor

Order Designation	Length	Thickness	Weight	Technical data	Sals pack quantity	Item number	
MT-B-02B OC	200 mm	8 mm	2072 g	Outdoor, low to moderate pollution (C3 / C4 - low)	6 pc	2282213	

#### MT-B-04 OC Base Material Connector - 4-hole - Outdoor

Order Designation	Length	Thickness	Weight	Technical data	Sals pack quantity	Item number	
MT-B-04 OC	200 mm	8 mm	3315 g	Outdoor, low to moderate pollution (C3 / C4 - low)	4 pc	2272099	

# MT Open C-channel (Strut) Base Material Connectors

## 90° Connectors

### Technical data Base Material Connectors

Item image	Load drawing	Order Designation	+ Fz	- Fz	± Fx	± Fy
		<b>MT-B-L / MT-B-L OC</b>	5,0 kN	2,1 kN	2,1 kN	0,0 kN
		<b>MT-B-T / MT-B-T OC</b>	0,6 kN	0,6 kN	6,0 kN	1,2 kN
		<b>MT-B-O2 / MT-B-O2 OC</b>	5,2 kN	5,2 kN	9,0 kN	1,7 kN
		<b>MT-B-O2B / MT-B-O2B OC</b>	19,2 kN	19,2 kN	12,6 kN	3,6 kN
		<b>MT-B-O4B / MT-B-O4B OC</b>	19,2 kN	19,2 kN	12,6 kN	3,6 kN

**Design note**

- Shown load values are recommended values with partial safety factors for actions and resistance included
- Design value = 1.4 \* recommended value
- The design resistance of the products is defined in accordance with EN1993

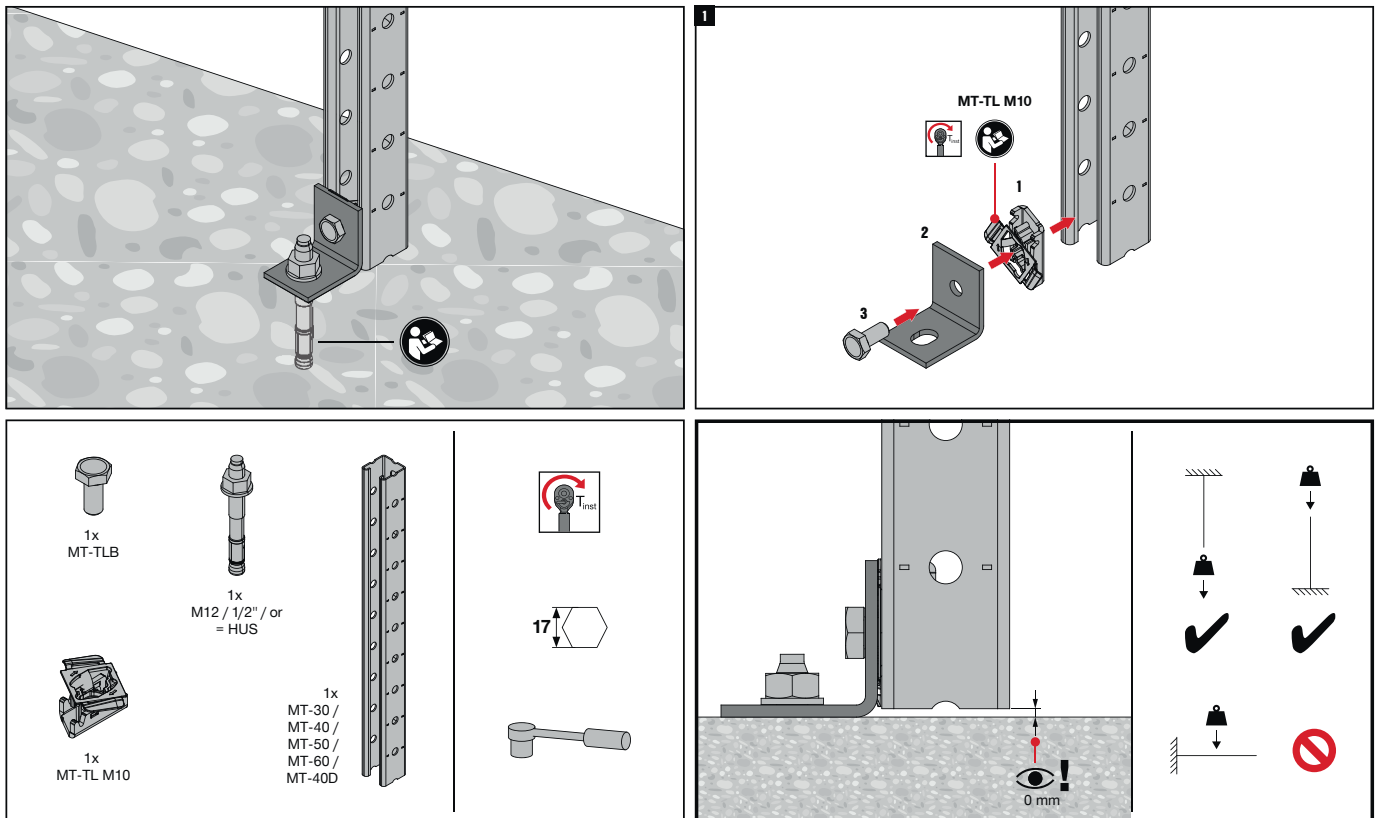
# MT Open C-channel (Strut) Base Material Connectors

## 90° Connectors

### Operation Instruction

MT-B-L / MT-B-L OC

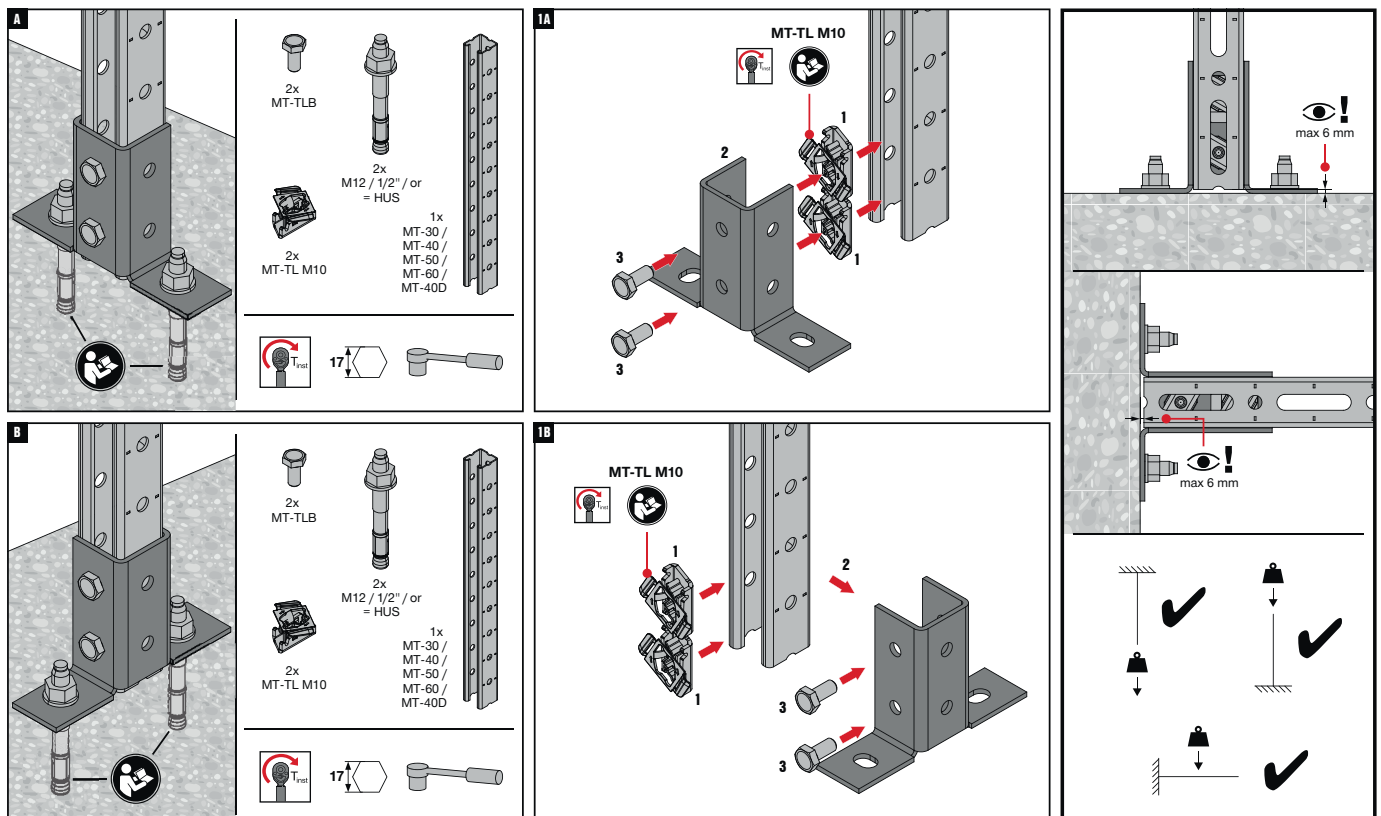
2288351-04.2020



The latest IFU (Instruction For Use) is available on Hilti Online. Please check for any revisions before installing the product.

### MT-B-T / MT-B-T OC

2288352-06.2020



The latest IFU (Instruction For Use) is available on Hilti Online. Please check for any revisions before installing the product.



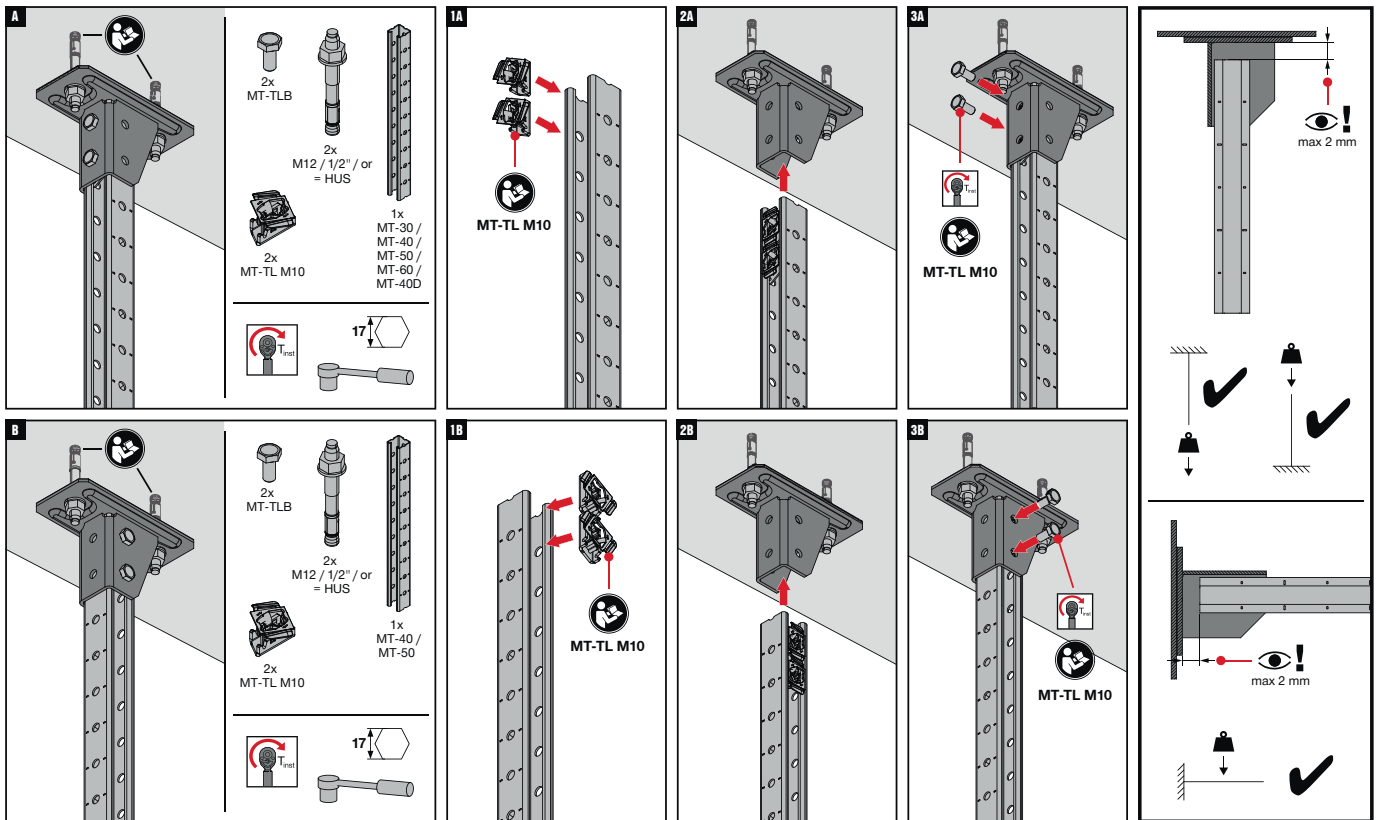
# MT Open C-channel (Strut) Base Material Connectors

## 90° Connectors

### Operation Instruction

MT-B-02 / MT-B-02 OC

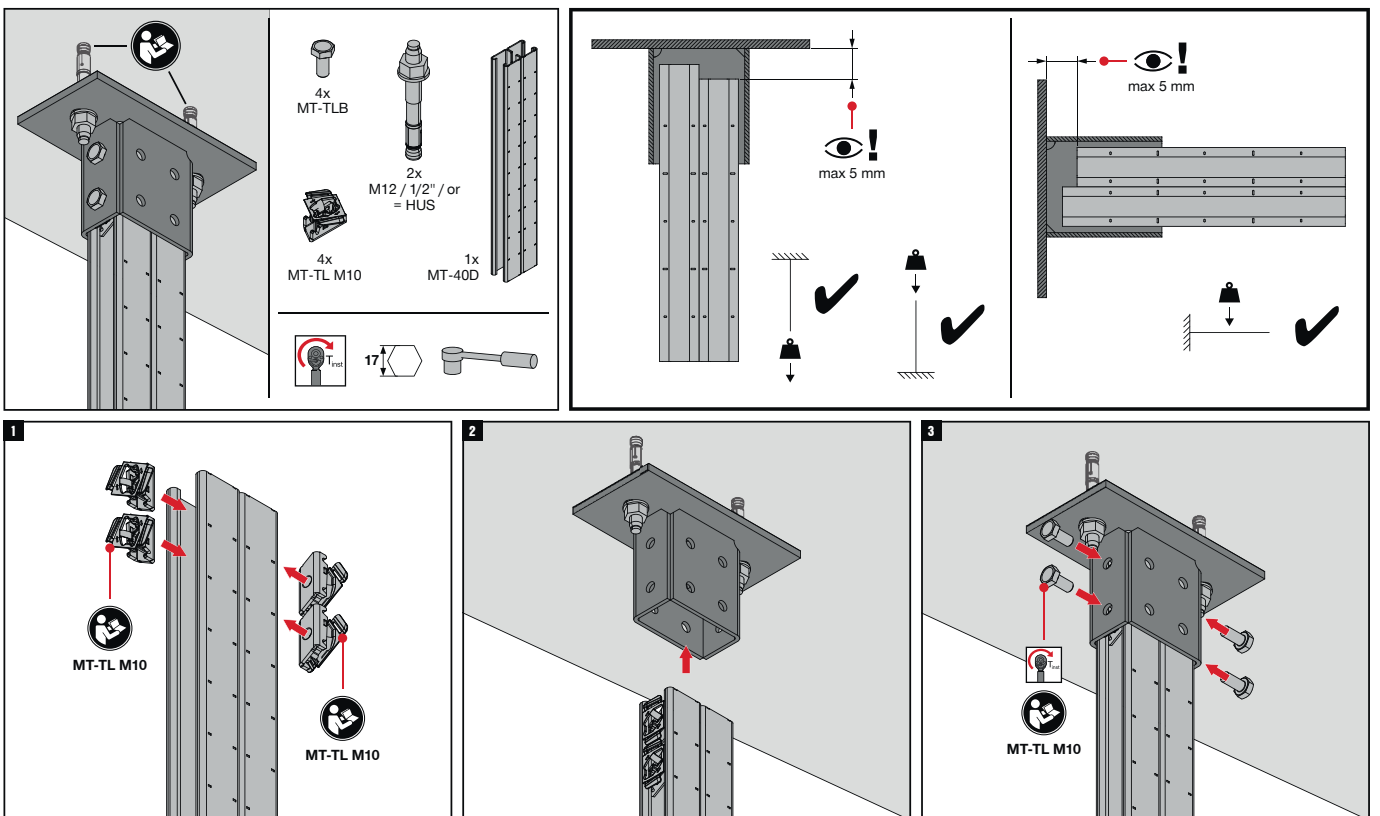
2288353-09.2020



The latest IFU (Instruction For Use) is available on Hilti Online. Please check for any revisions before installing the product.

### MT-B-02B / MT-B-02B OC

2288354-09.2020



The latest IFU (Instruction For Use) is available on Hilti Online. Please check for any revisions before installing the product.

# MT Open C-channel (Strut) Base Material Connectors

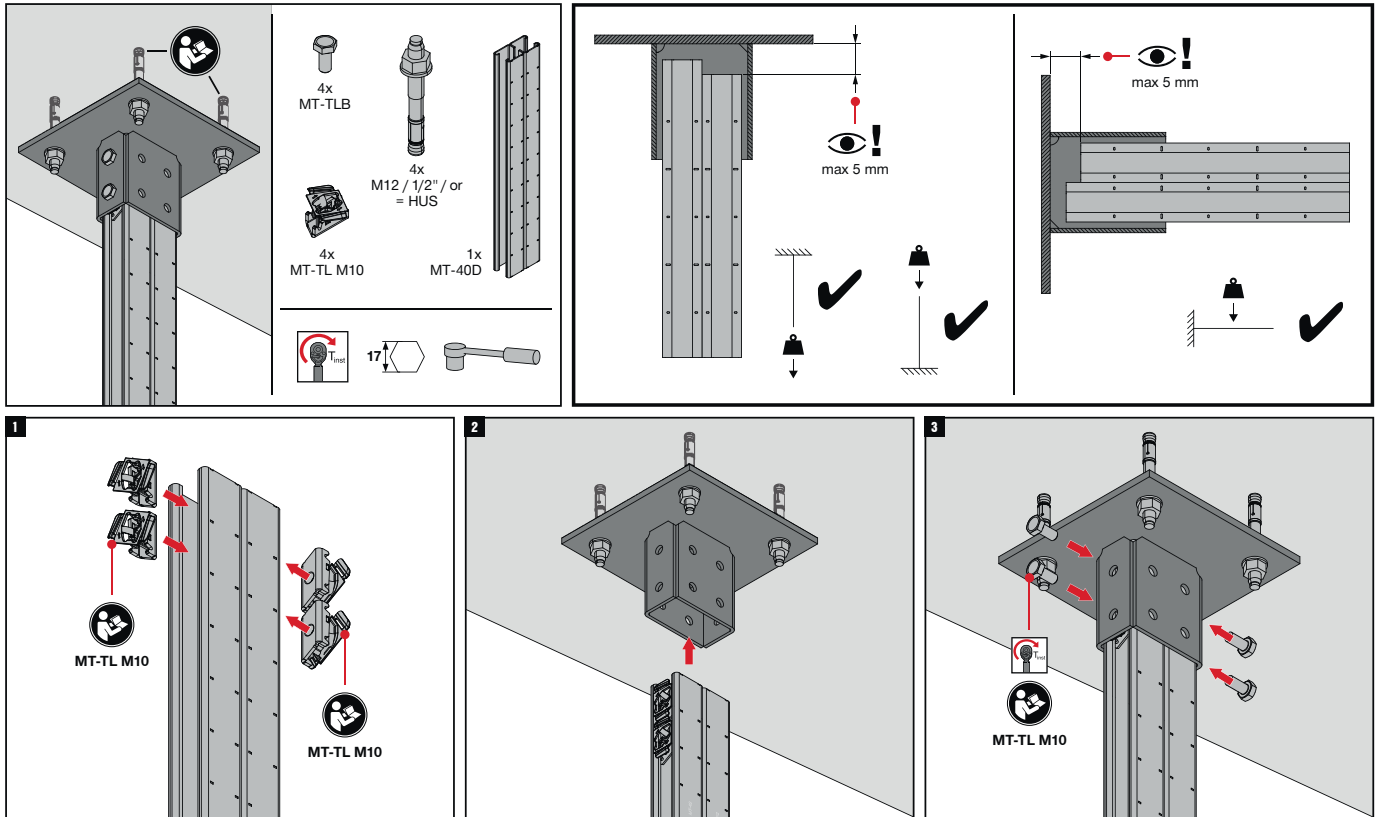
## 90° Connectors

5

### Operation Instruction

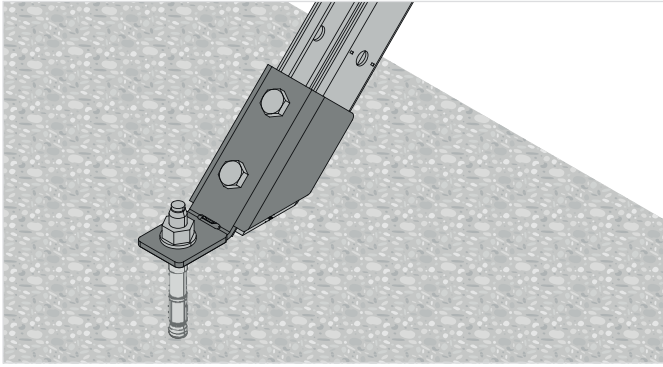
MT-B-04 / MT-B-04 OC

2288355-09.2020



The latest IFU (Instruction For Use) is available on Hilti Online. Please check for any revisions before installing the product.

## MT Open C-channel (Strut) Base Material Connectors Angle Brace



### Applications

- Anchoring MT-40 or MT-50 strut channels to concrete at a 45-degree angle for use as lateral bracing
- Lateral bracing of lightweight metal framing and MEP support structures
- Suitable for use in dry, indoor environments

### Advantages

- Part of the Hilti MT system – an economical, all-in-one solution for virtually all modular MEP support structures
- Easy to install – compatible with the Hilti MT Twist-Lock, a faster alternative to spring nuts for assembling a modular support system
- Part of a complete Hilti solution – compatible with our direct fastening and anchoring solutions

### Technical data

Material composition	Q235 or better steel
Surface finish	Pre-galvanized - for dry indoor use only

### MT-AB-L 45 Angle Brace

Order Designation	Thickness	Weight	Technical data	Sales pack quantity	Item number	
MT-AB-L 45	4 mm	427 g	Dry indoor conditions (C1) Indoor with temporary condensation (C2)	10 pc	2272113	

### MT-AB-LL2 45 Angle Brace

Order Designation	Thickness	Weight	Technical data	Sales pack quantity	Item number	
MT-AB-LL2 45	4 mm	553 g	Dry indoor conditions (C1) Indoor with temporary condensation (C2)	10 pc	2272115	

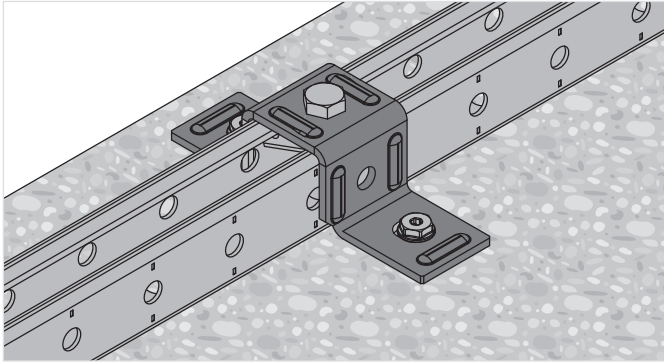
### MT-AB set Angle Brace adjustable

Order Designation	Thickness	Weight	Technical data	Sales pack quantity	Item number	
MT-AB A set	4 mm	441 g	Dry indoor conditions (C1) Indoor with temporary condensation (C2)	12 pc	2346395	

## MT Open C-channel (Strut) Base Material Connectors

### Channel Clamp

5



#### Applications

- Cross-connection of one strut channel to concrete
- Suitable for use in dry, indoor environments

#### Advantages

- Compatible with MT Twist-Lock and MT Thread Forming Bolt channel connectors – for much faster, adaptable assembly
- Universal – complete many different applications using few parts
- Twist-lock and Thread Forming Bolt channel connector takes up shear and tensile loads

#### Technical data

Material composition	Q235 or better steel
Surface finish	Indoor Coated - Electro galvanized

### MT-CC-BC 40/50 Base Material Connector - Channel Clamp

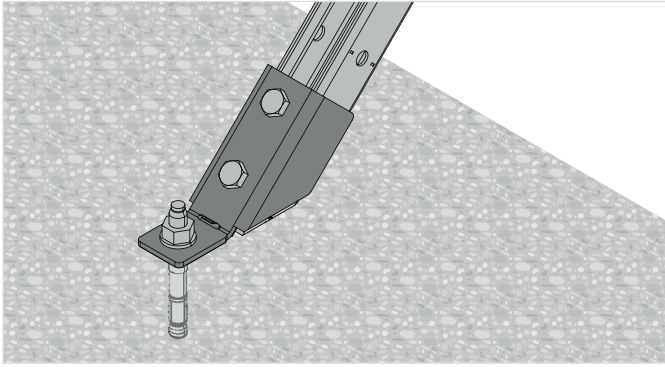
Order Designation	Thickness	Weight	Technical data	Sales pack quantity	Item number	
MT-CC-BC 40/50	4 mm	326 g	Dry indoor conditions (C1) Indoor with temporary condensation (C2)	20 pc	2322432	

### MT-CC-BS 40/50 Base Material Connector - Channel Clamp

Order Designation	Thickness	Weight	Technical data	Sales pack quantity	Item number	
MT-CC-BS 40/50	4 mm	326 g	Dry indoor conditions (C1) Indoor with temporary condensation (C2)	20 pc	2322402	

## MT Open C-channel (Strut) Base Material Connectors

### Angle Brace - Outdoor



#### Applications

- Anchoring MT-40 or MT-50 strut channels to concrete at a 45-degree angle for use as lateral bracing
- Lateral bracing of lightweight metal framing and MEP support structures
- Suitable for use in moderately corrosive environments

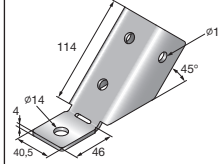
#### Advantages

- Part of the Hilti MT system – an economical, all-in-one solution for virtually all modular MEP support structures
- Easy to install – compatible with the Hilti MT Twist-Lock, a faster alternative to spring nuts for assembling a modular support system
- Part of a complete Hilti solution – compatible with our direct fastening and anchoring solutions

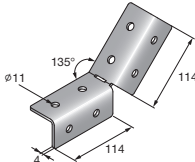
#### Technical data

Material composition	Q235 or better steel
Surface finish	Outdoor Coated - HDG

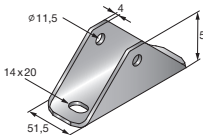
### MT-AB-L 45 OC Angle Brace - Outdoor

Order Designation	Thickness	Weight	Technical data	Sales pack quantity	Item number	
MT-AB-L 45 OC	4 mm	427 g	Outdoor, low to moderate pollution (C3 / C4 - low)	10 pc	2272114	

### MT-AB-LL2 45 OC Angle Brace - Outdoor

Order Designation	Thickness	Weight	Technical data	Sales pack quantity	Item number	
MT-AB-LL2 45 OC	4 mm	553 g	Outdoor, low to moderate pollution (C3 / C4 - low)	10 pc	2273585	

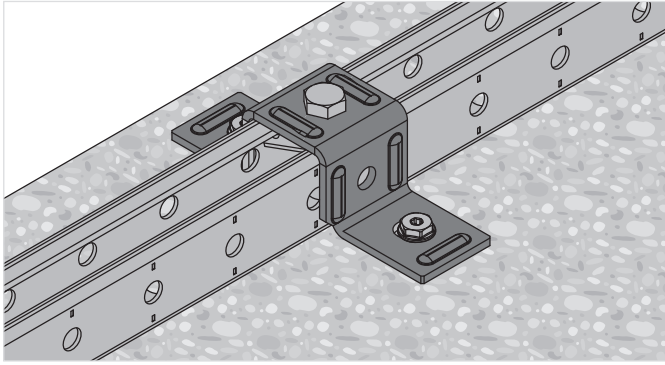
### MT-AB A OC Angle Brace Adjustable - Outdoor

Order Designation	Thickness	Weight	Technical data	Sales pack quantity	Item number	
MT-AB A OC set	4 mm	44 g	Outdoor, low to moderate pollution (C3 / C4 - low)	12 pc	2346396	

## MT Open C-channel (Strut) Base Material Connectors

### Channel Clamp - Outdoor

5



#### Applications

- Cross-connection of one strut girder to another channel or girder
- Suitable for use in moderately corrosive environments

#### Technical data

Material composition	Q235 or better steel
Surface finish	Outdoor Coated - HDG

#### Advantages

- Compatible with MT Twist-Lock and MT Thread Forming Bolt channel connectors – for much faster, adaptable assembly
- Universal – complete many different applications using few parts
- Twist-lock and Thread Forming Bolt channel connector takes up shear and tensile loads

### MT-CC-BC 40/50 OC Base Material Connector - Channel Clamp - Outdoor

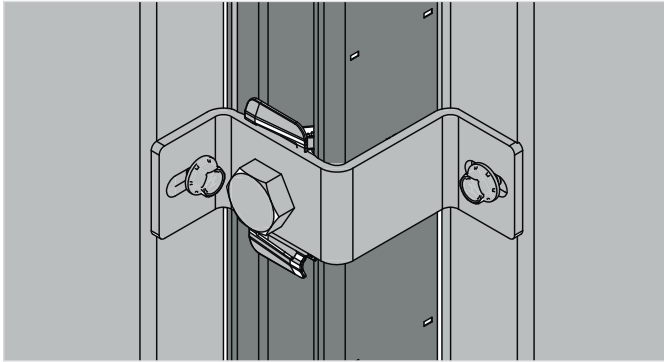
Order Designation	Thickness	Weight	Technical data	Sales pack quantity	Item number	
MT-CC-BC 40/50 OC	4 mm	326 g	Outdoor, low to moderate pollution (C3 / C4 - low)	20 pc	2322401	

### MT-CC-BS 40/50 OC Base Material Connector - Channel Clamp - Outdoor

Order Designation	Thickness	Weight	Technical data	Sales pack quantity	Item number	
MT-CC-BS 40/50 OC	4 mm	326 g	Outdoor, low to moderate pollution (C3 / C4 - low)	20 pc	2322403	

## MT Open C-channel (Strut) Base Material Connectors

### Channel Clamp - Outdoor



#### Applications

- Attaching polypanels to a substructure of MT strut/closed profile
- Hot/cold aisle containment in data centers

#### Advantages

- Helps lower installation cost – this new solution uses fewer and simpler components than previous Hilti panel connectors, saving you upfront costs and time on-site
- Compatible with MT Thread Forming Bolt channel connectors – for much faster, adaptable assembly with higher pull-out and shear resistance
- Corrosion resistance – hot-dip galvanized to help protect against moisture and chemical corrosion

#### Technical data

Material composition	Q235 or better steel
Surface finish	Outdoor Coated - HDG

### MT-CC-40/50 C OC Channel Clamp - Outdoor

Order Designation	Height	Technical data	Sales pack quantity	Item number	
MT-CC-40/50 C OC	3 mm	Outdoor, low to moderate pollution (C3 / C4 - low)	8 pc	2353779	

### MT-CC-40/50 M OC Channel Clamp - Outdoor


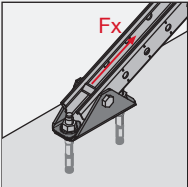

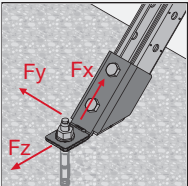
Order Designation	Height	Technical data	Sales pack quantity	Item number	
MT-CC-40/50 M OC	3 mm	Outdoor, low to moderate pollution (C3 / C4 - low)	16 pc	2353800	

## MT Open C-channel (Strut) Base Material Connectors

### Angle Brace, Channel Clamp

5


#### Technical data Angle Brace

Item image	Load drawing	Order Designation	+ Fz	- Fz	± Fx	± Fy
		MT-AB A / MT-AB A OC	-	-	9,9 kN	-
		MT-AB-L 45 / MT-AB-L 45 OC	-	-	3,8 kN	-

**Design note**

- Shown load values are recommended values with partial safety factors for actions and resistance included
- Design value = 1.4 \* recommended value
- The design resistance of the products is defined in accordance with EN1993

#### Technical data Channel Clamp

Item image	Load drawing	Order Designation	+ Fz	- Fz	± Fx	± Fy
		MT-CC-40/50 / MT-CC-40/50 OC	-	5,4 kN	2,5 kN	5,7 kN

**Design note**

- Shown load values are recommended values with partial safety factors for actions and resistance included
- Design value = 1.4 \* recommended value
- The design resistance of the products is defined in accordance with EN1993



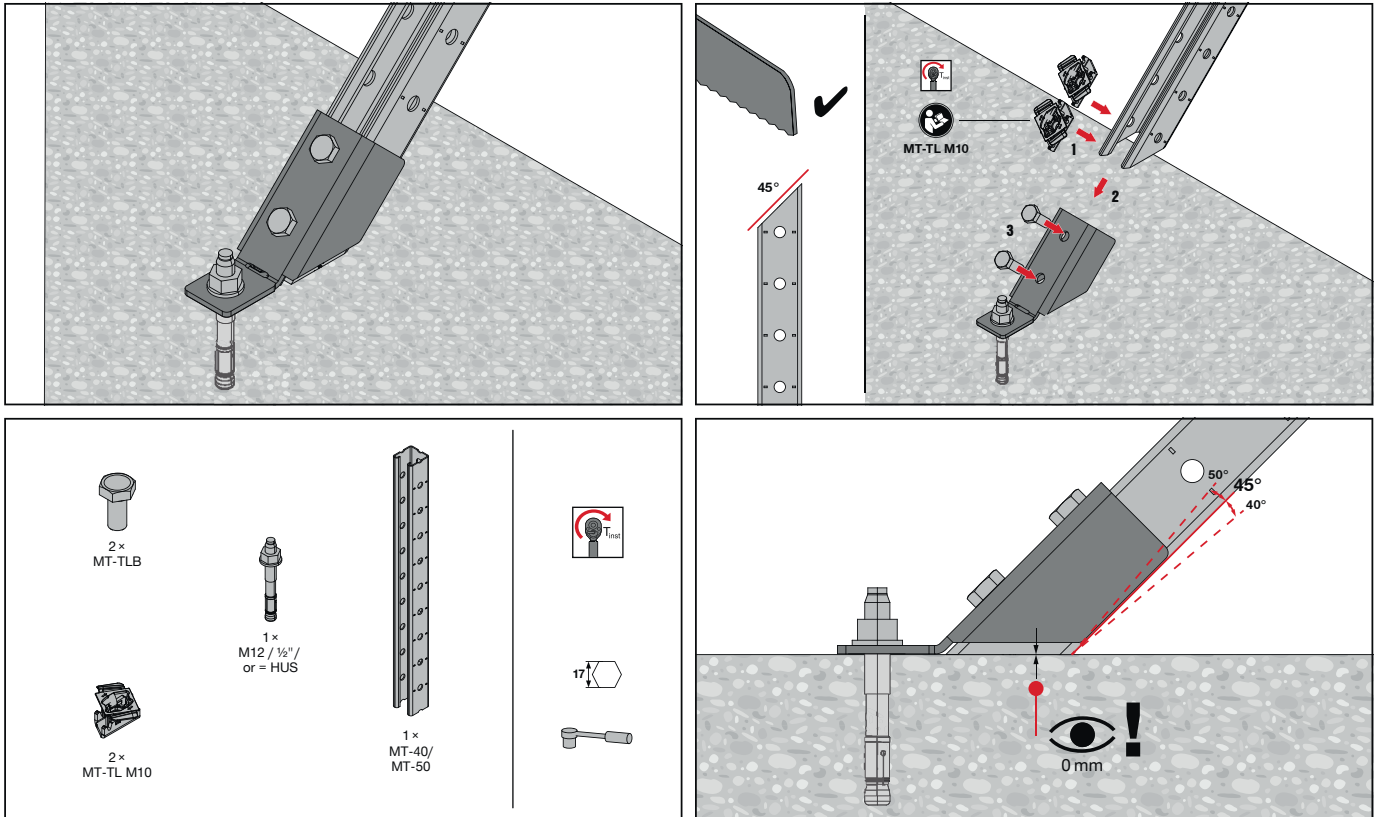
# MT Open C-channel (Strut) Base Material Connectors

## Angle Brace

### Operation Instruction

MT-AB-L 45 / MT-AB-L 45 OC

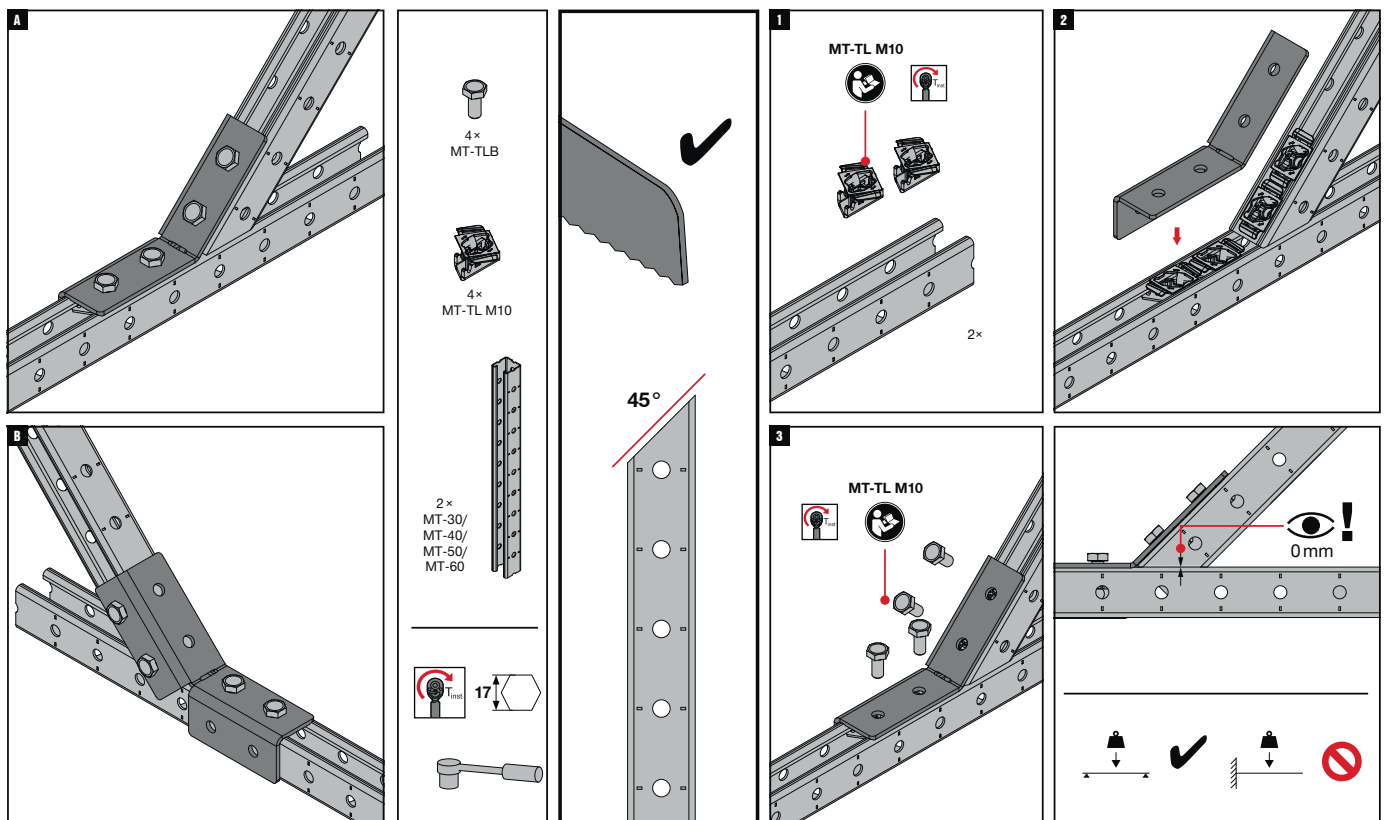
2294696-07.2020



The latest IFU (Instruction For Use) is available on Hilti Online. Please check for any revisions before installing the product.

## MT-AB-LL2 45 / MT-AB-LL2 45 OC

2294696-07.2020



The latest IFU (Instruction For Use) is available on Hilti Online. Please check for any revisions before installing the product.

Version from 03.2023

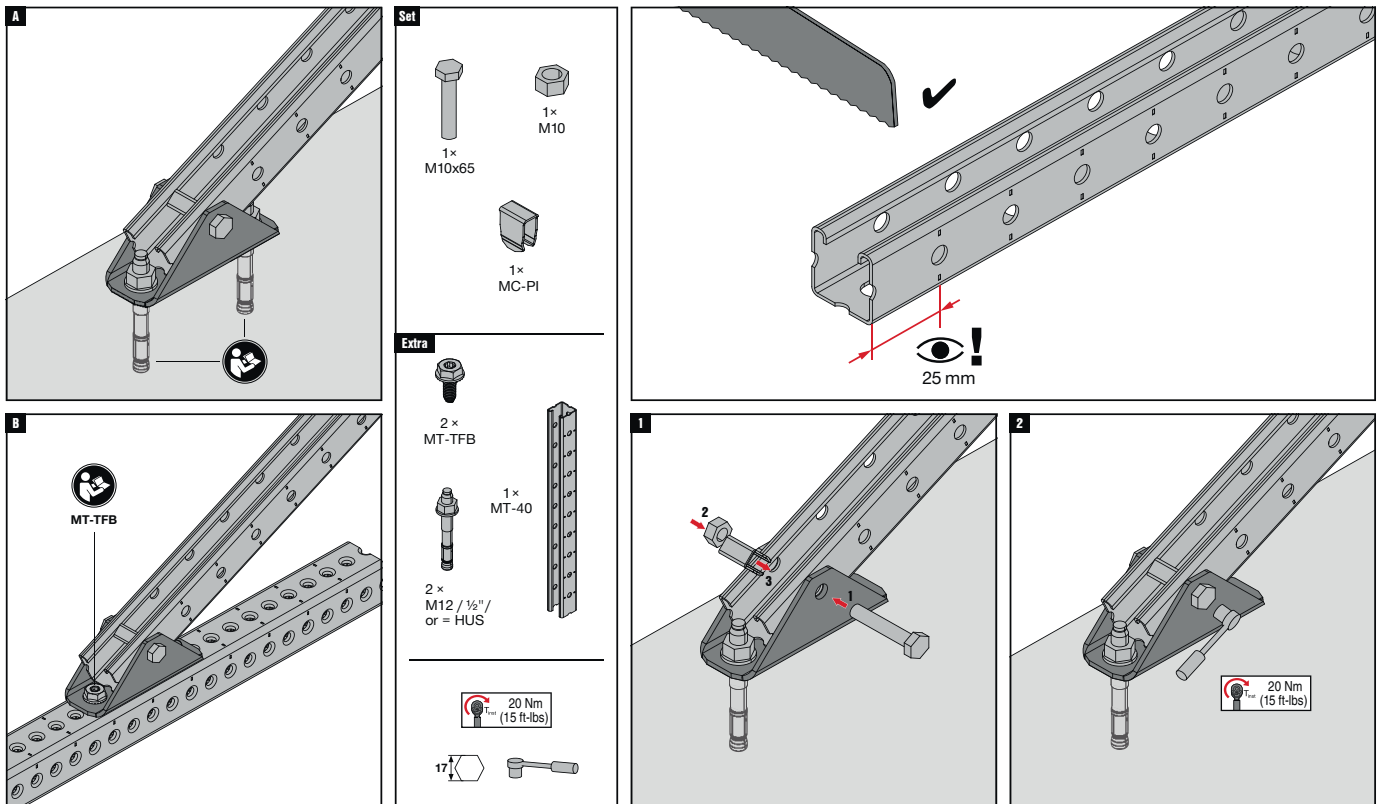
Boundary conditions - Terms of common cooperation / Legal disclaimer and guidelines as defined at the beginning of this book need to be mandatorily respected

# MT Open C-channel (Strut) Base Material Connectors

## Angle Brace, Channel Clamp

### Operation Instruction MT-AB-A / MT-AB-A OC

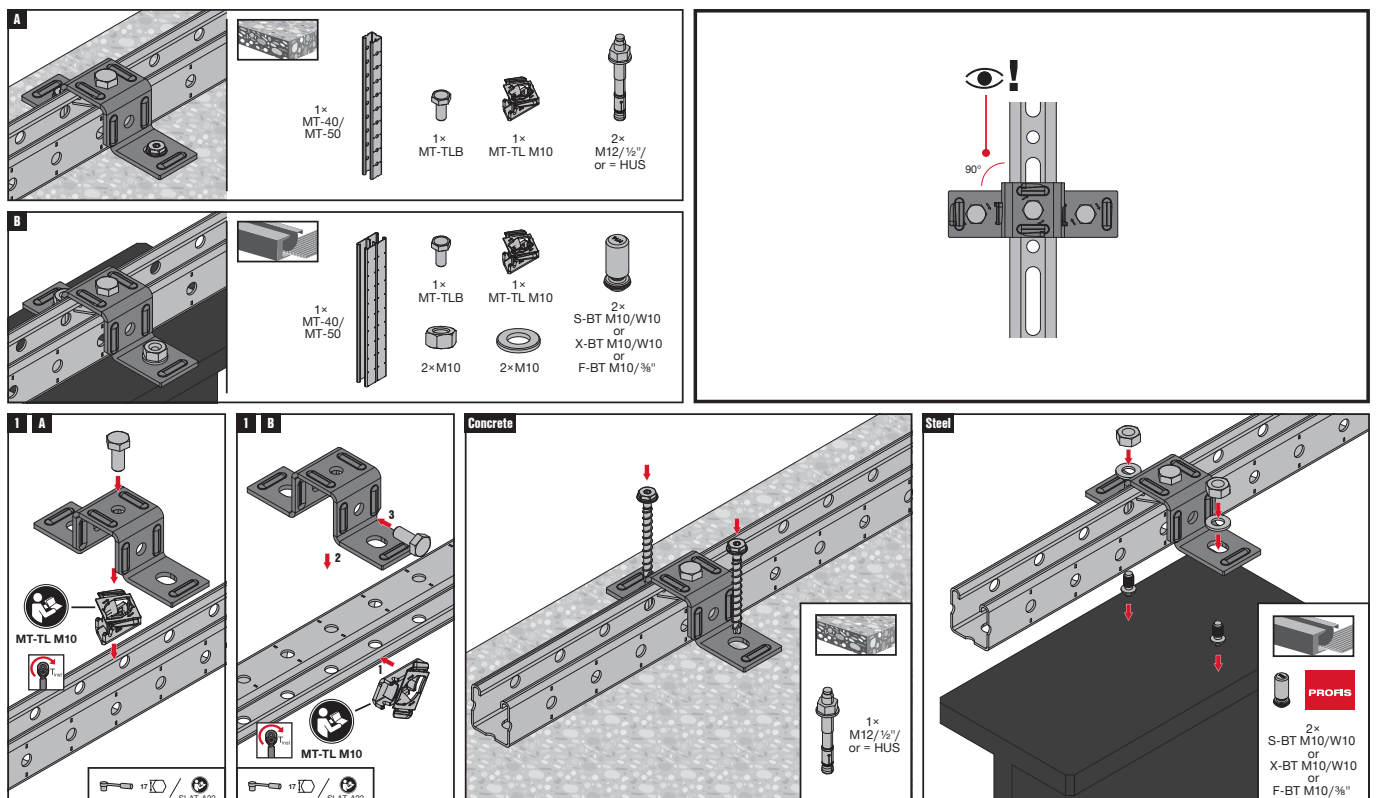
2294694-07.2020



The latest IFU (Instruction For Use) is available on Hilti Online. Please check for any revisions before installing the product.

### MT-CC-BC 40/50 / MT-CC-BS 40/50 / MT-CC-BC 40/50 OC / MT-CC-BS 40/50 OC

2325300-04.2021



The latest IFU (Instruction For Use) is available on Hilti Online. Please check for any revisions before installing the product.

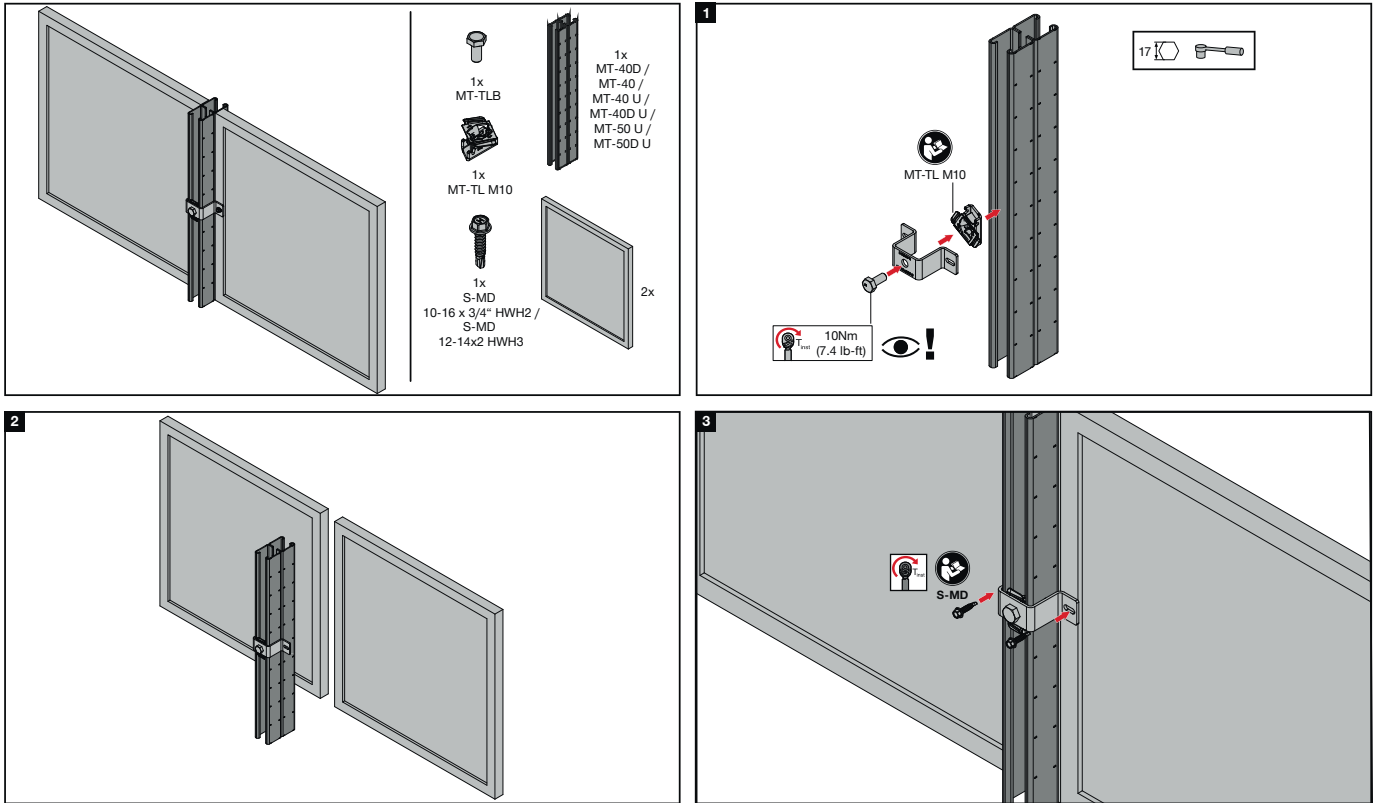
# MT Open C-channel (Strut) Base Material Connectors

## Channel Clamp

### Operation Instruction

MT-CC-40/50 C OC

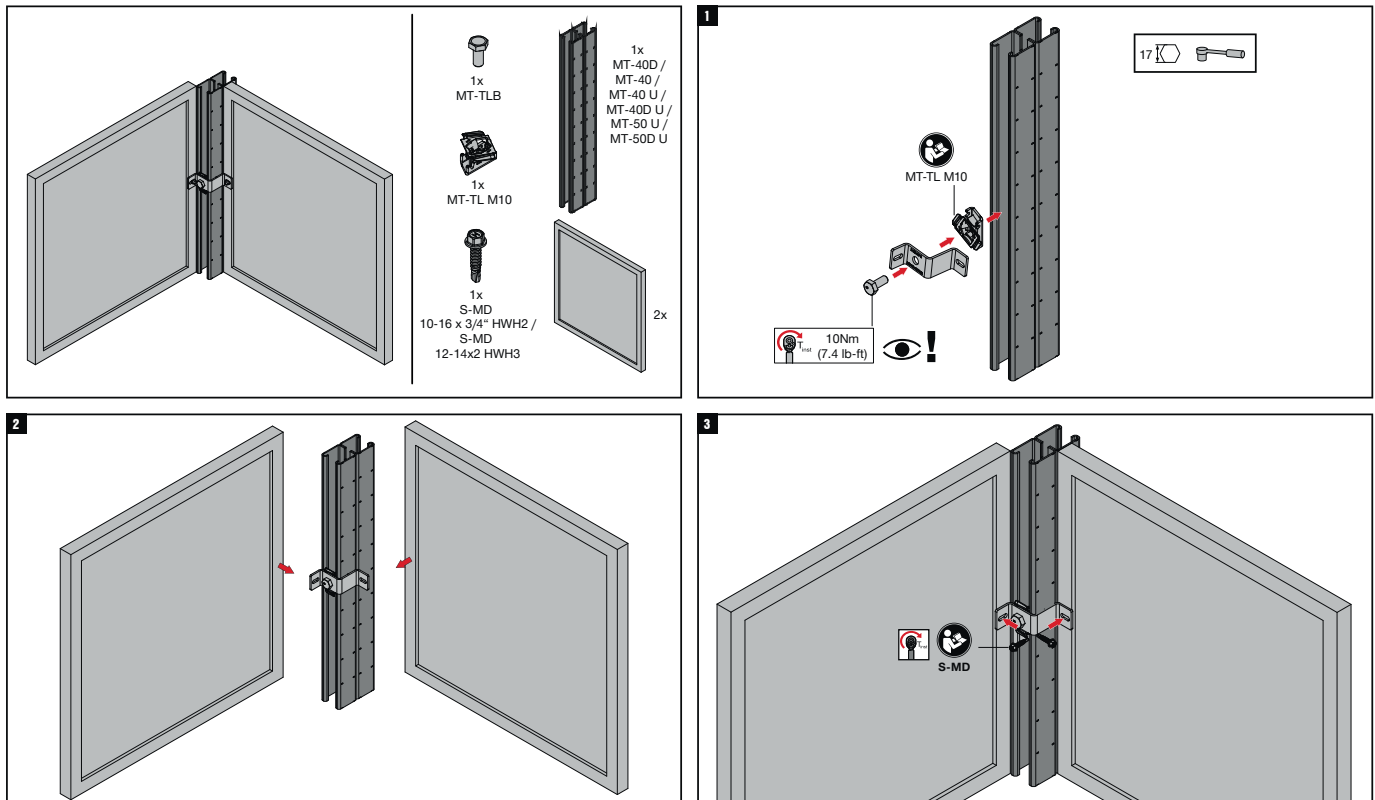
2359994-04.2022



The latest IFU (Instruction For Use) is available on Hilti Online. Please check for any revisions before installing the product.

### MT-CC-40/50 M OC

2359995-04.2022



The latest IFU (Instruction For Use) is available on Hilti Online. Please check for any revisions before installing the product.

## MT Closed Profiles Base Material Connectors

### 90° Connectors - Outdoor

5



#### Applications

- Right-angle connections between any MT closed profiles or strut channels
- Assembling metal framing for MEP support structures when resistance to 3D stresses is required
- Fastening MT strut channel to concrete floors, walls or ceilings

#### Advantages

- Part of the Hilti MT system – an economical, all-in-one solution for virtually all modular MEP support structures
- Easy to install – one-step assembly using Hilti MT-TFB thread-forming bolts
- Adaptable – unlike welding, angle brackets allow you to modify strut channel framing during installation and for future MEP requirements

#### Technical data

Material composition	Q235 or better steel
Surface finish	Outdoor Coated - HDG

### MT-C-GS OC Base Material Connector - Angle Connector - Outdoor

Order Designation	Weight	Technical data	Sales pack quantity	Item number	
MT-C-GS OC	400 g	Outdoor, low to moderate pollution (C3 / C4 - low)	10 pc	2272064	

### MT-C-GL OC Base Material Connector - Angle Connector - Outdoor

Order Designation	Weight	Technical data	Sales pack quantity	Item number	
MT-C-GL OC	1161 g	Outdoor, low to moderate pollution (C3 / C4 - low)	10 pc	2272066	

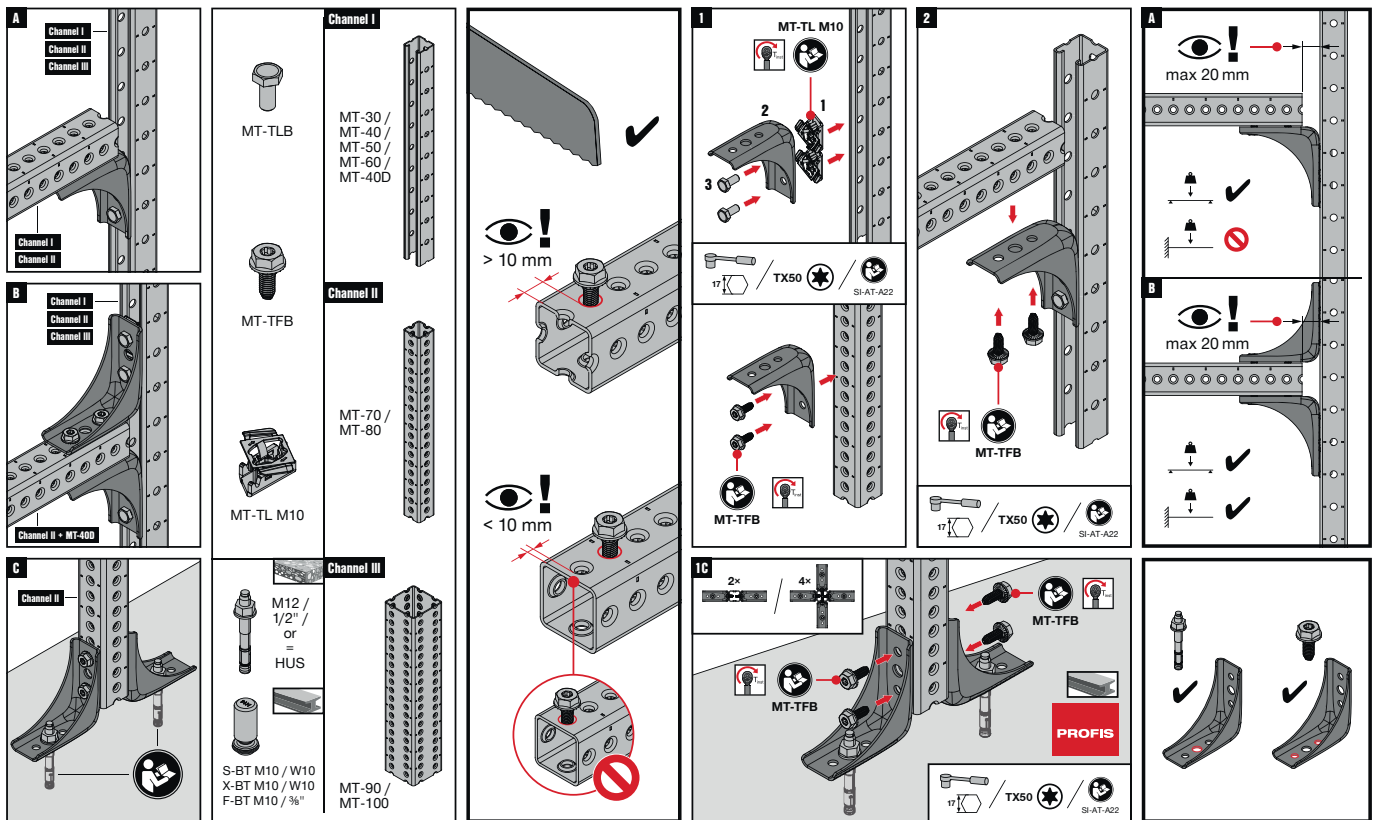
# MT Closed Profiles Base Material Connectors

## 90° Connectors - Outdoor

### Operation Instruction

#### MT-C-GS OC

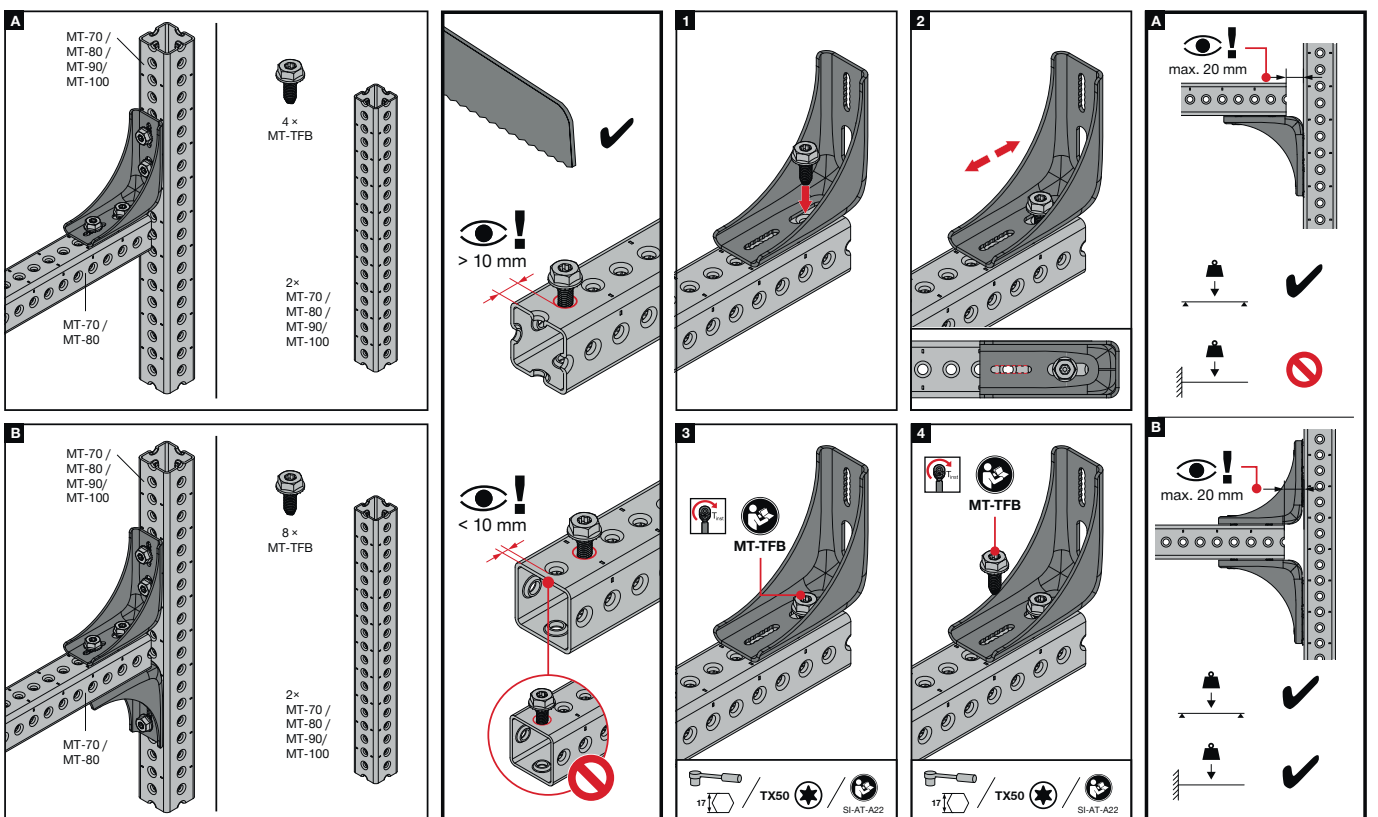
2290665-06.2020



The latest IFU (Instruction For Use) is available on Hilti Online. Please check for any revisions before installing the product.

#### MT-C-GS A OC

2289567-09.2020



The latest IFU (Instruction For Use) is available on Hilti Online. Please check for any revisions before installing the product.

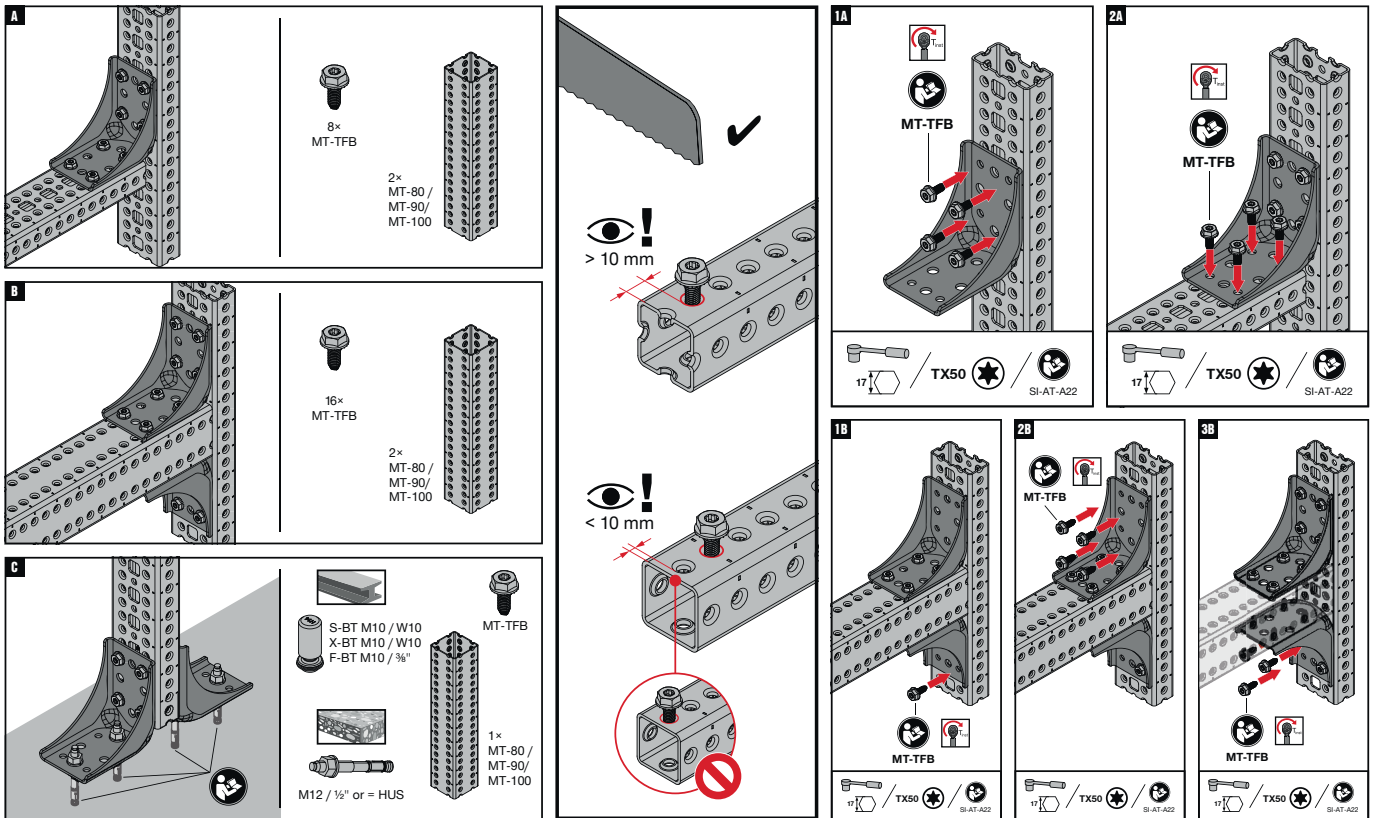
## MT Closed Profiles Base Material Connectors

## 90° Connectors - Outdoor

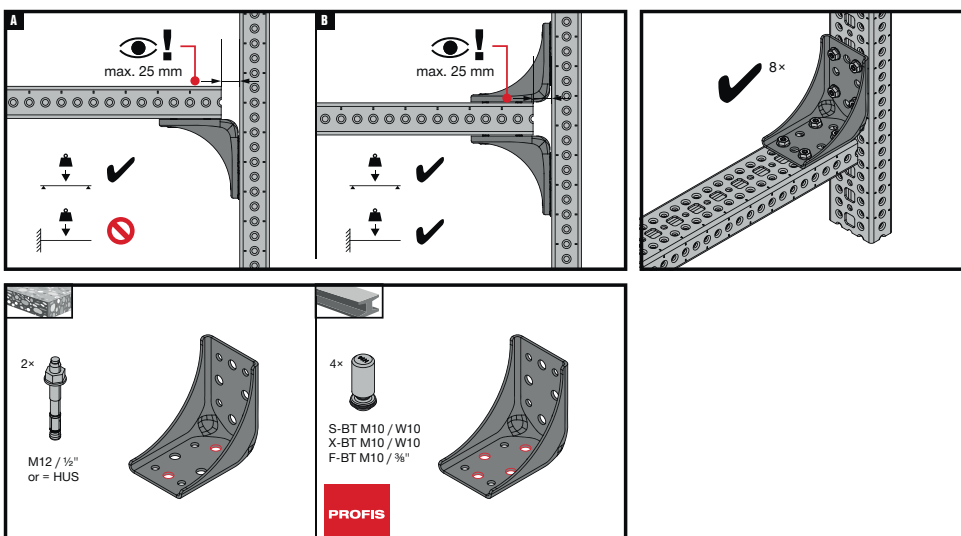
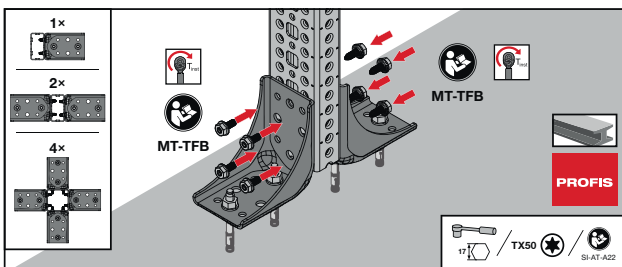
## Operation Instruction

## MT-C-GL OC

2289566-07 2020



The latest IFU (Instruction For Use) is available on Hilti Online. Please check for any revisions before installing the product.



The latest IFU (Instruction For Use) is available on Hilti Online. Please check for any revisions before installing the product.

## MT Closed Profiles Base Material Connectors

### 90° Connectors - Outdoor



#### Applications

- Fastening MT-70 and MT-80 closed profiles to concrete floors, walls or ceilings
- Fastening MT-70 and MT-80 closed profiles to structural steel
- Anchoring metal framing and MEP support structures with light loads to a base material

#### Advantages

- Part of the Hilti MT system – an economical, all-in-one solution for virtually all modular MEP support structures
- Easy to install – one-step assembly using Hilti MT-TFB thread-forming bolts
- Adaptable – unlike welding, modular metal framing can be modified for future MEP requirements

#### Technical data

Material composition	Q235 or better steel
Surface finish	Outdoor Coated - HDG

#### MT-B-GS T OC Base Material Connector - Outdoor

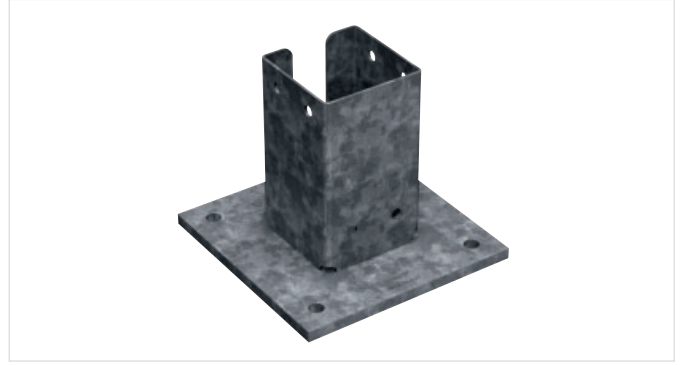
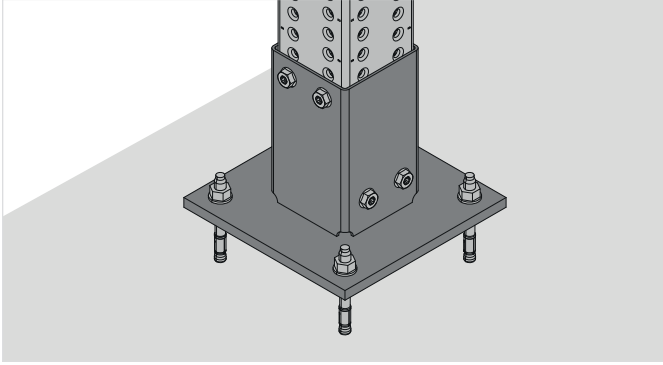
Order Designation	Weight	Technical data	Sales pack quantity	Item number	
MT-B-GS T OC	2166 g	Outdoor, low to moderate pollution (C3 / C4 - low)	2 pc	2272100	

#### MT-B-GS O4U OC Base Material Connector 4-hole - Outdoor

Order Designation	Weight	Technical data	Sales pack quantity	Item number	
MT-B-GS O4U OC	4730 g	Outdoor, low to moderate pollution (C3 / C4 - low)	4 pc	2272101	

## MT Closed Profiles Base Material Connectors

### 90° Connectors - Outdoor



#### Applications

- Fastening MT-90 closed profiles to concrete floors, walls or ceilings
- Anchoring metal framing and MEP support structures with heavy loads to a base material
- Suitable for outdoor environments with low to moderate pollution (C3)

#### Advantages

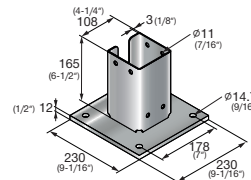
- Part of the Hilti MT system – an economical, all-in-one solution for virtually all modular MEP support structures
- Easy to install – one-step assembly using Hilti MT-TFB thread-forming bolts
- Adaptable – unlike welding, modular post bases allow you to modify metal framing for future MEP requirements

#### Technical data

Material composition	Q235 or better steel
Surface finish	Outdoor Coated - HDG

### MT-B-GL O4C OC Base Material Connector - Outdoor

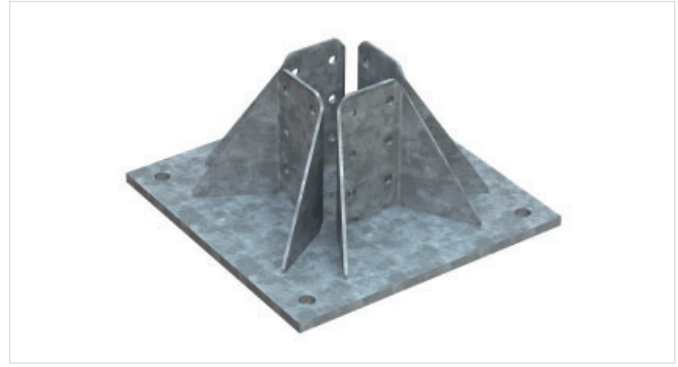
Order Designation	Weight	Technical Data	Sales pack quantity	Item number
MT-B-GL O4C OC	6825g	Outdoor, low to moderate pollution (C3 / C4 - low)	2 pc	2343282





## MT Closed Profiles Base Material Connectors

### 90° Connectors - Outdoor



#### Applications

- Fastening MT-90 closed profiles to concrete floors, walls or ceilings
- Anchoring metal framing and MEP support structures with heavy loads to a base material
- Suitable for use in moderately corrosive environments

#### Advantages

- Part of the Hilti MT system – an economical, all-in-one solution for virtually all modular MEP support structures
- Easy to install – one-step assembly using Hilti MT-TFB thread-forming bolts
- Adaptable – unlike welding, modular post bases allow you to modify metal framing for future MEP requirements

#### Technical data

Material composition	Q235 or better steel
Surface finish	Outdoor Coated - HDG

### MT-B-GL O4 OC Base Material Connector 4-hole - Outdoor

Order Designation	Thickness	Weight	Technical data	Sales pack quantity	Item number	
MT-B-GL O4 OC	12 mm	14949 g	Outdoor, low to moderate pollution (C3 / C4 - low)	1 pc	2272103	

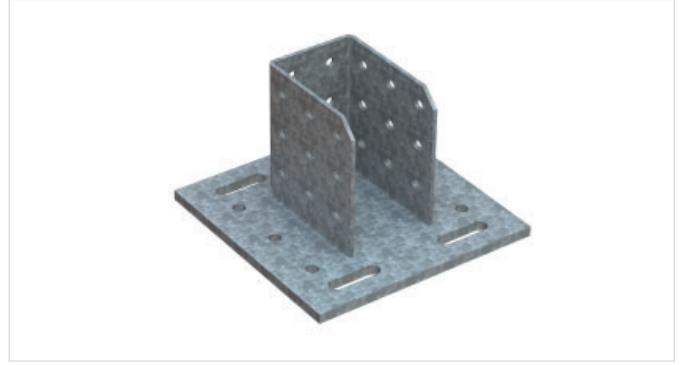
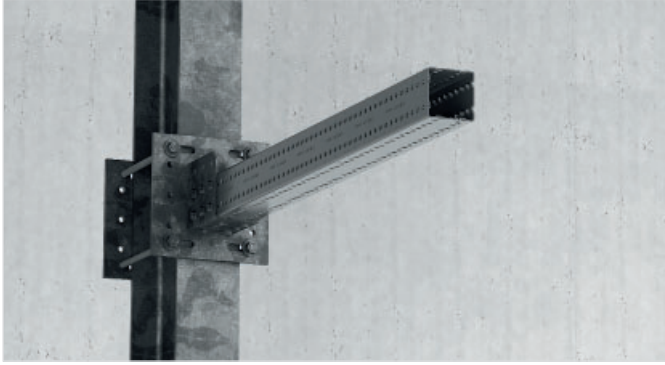
### MT-B-GXL O4 OC Base Material Connector 4-hole - Outdoor

Order Designation	Thickness	Weight	Technical data	Sales pack quantity	Item number	
MT-B-GXL O4 OC	12 mm	17070 g	Outdoor, low to moderate pollution (C3 / C4 - low)	1 pc	2272104	

## MT Closed Profiles Base Material Connectors

### 90° Connectors - Outdoor

5



#### Applications

- Fastening MT-90 and MT-100 closed profiles to structural steel
- Anchoring metal framing and MEP support structures with light loads to a base material
- Suitable for use in moderately corrosive environments

#### Advantages

- Part of the Hilti MT system – an economical, all-in-one solution for virtually all modular MEP support structures
- Easy to install – one-step assembly using Hilti MT-TFB thread-forming bolts
- Adjustable – four slotted anchor holes to simplify baseplate positioning and fastening

#### Technical data

Material composition	Q355 or better steel
Surface finish	Outdoor Coated - HDG

### MT-B-GXL S1 OC Base Material Connector To Steel - Outdoor

Order designation	Thickness	Weight	Technical data	Sales pack quantity	Item number	
MT-B-GXL S1 OC	15 mm	9402 g	Outdoor, low to moderate pollution (C3 / C4 - low)	2 pc	2272106	

### MT-B-GXL S2 OC Base Material Connector To Steel - Outdoor

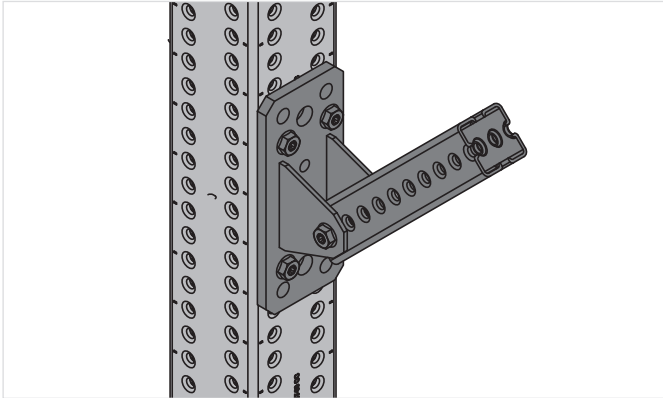
Order designation	Thickness	Weight	Technical data	Sales pack quantity	Item number	
MT-B-GXL S2 OC	15 mm	9366 g	Outdoor, low to moderate pollution (C3 / C4 - low)	2 pc	2272107	

### MT-B-GXL S3 OC Base Material Connector To Steel - Outdoor

Order designation	Thickness	Weight	Technical data	Sales pack quantity	Item number	
MT-B-GXL S3 OC	15 mm	10816 g	Outdoor, low to moderate pollution (C3 / C4 - low)	2 pc	2272108	

## MT Closed Profiles Base Material Connectors

### Angle Brace - Outdoor



#### Applications

- Assembling and bracing modular support structures consisting of MT-70 and MT-80 closed profiles
- Fastening modular support structures to concrete and steel
- Suitable for use in moderately corrosive environments

#### Advantages

- Versatile – use it as a closed profile-to-closed profile connector, for angle braces or for fastening modular support structures to concrete and steel
- Compatible with powder-actuated threaded studs for steel and MT Thread Forming Bolt channel connectors – for much faster, adaptable assembly
- Corrosion resistance – hot-dip galvanized to help protect against moisture and chemical corrosion

#### Technical data

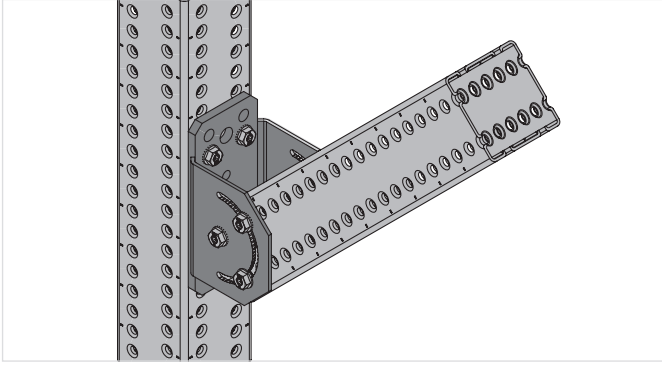
Material composition	Q355 or better steel
Surface finish	Outdoor Coated - HDG

### MT-B-GS AB OC Angle Brace - Outdoor

Order Designation	Thickness	Weight	Technical data	Sales pack quantity	Item number	
MT-B-GS AB OC	10 mm	1640 g	Outdoor, low to moderate pollution (C3 / C4 - low)	8 pc	2332787	

**MT Closed Profiles Base Material Connectors**

**Angle Brace - Outdoor**



**Applications**

- Mounting MT-80, MT-90 and MT-100 closed profiles on inclined steel surfaces
- Mounting MT-80, MT-90 and MT-100 at an angle ranging from +/- 90 degrees for bracing or long span supports
- Fastening heavy-duty, floor-mounted single pipe supports

**Advantages**

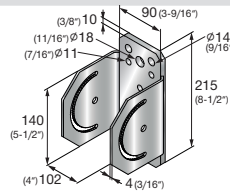
- Higher load resistance – more bolting points and stronger construction than previous Hilti baseplates
- Corrosion resistance – hot-dip galvanized to help protect against moisture and chemical corrosion
- Part of the Hilti MT system – an economical, all-in-one solution for virtually all modular MEP support structures

**Technical data**

<b>Material composition</b>	Q355 or better steel
<b>Surface finish</b>	Outdoor Coated - HDG

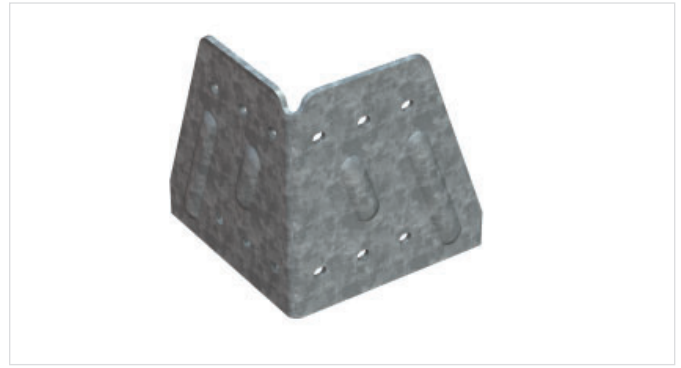
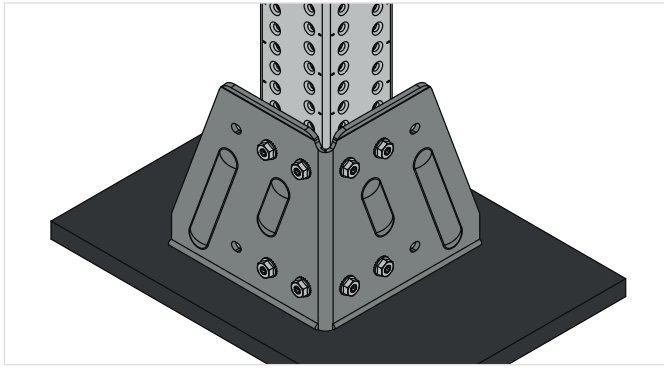
**MT-B GL AB OC Angle Brace - Outdoor**

Order Designation	Thickness	Technical data	Sales pack quantity	Item number
<b>MT-B GL AB OC</b>	10 mm	Outdoor, low to moderate pollution (C3 / C4 - low)	6 pc	<b>2353811</b>



## MT Closed Profiles Base Material Connectors

### Starter Bracket - Outdoor



#### Applications

- Creating base connectors for MT-70, MT-80, MT-90 and MT-100 closed profiles on structural steel

#### Technical data

Material composition	Q355 or better steel
Surface finish	Not Galvanized

#### Advantages

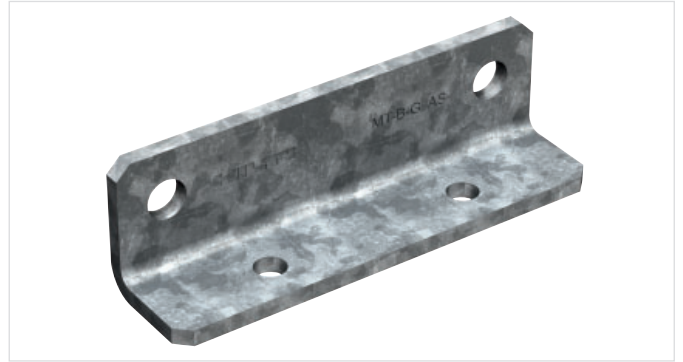
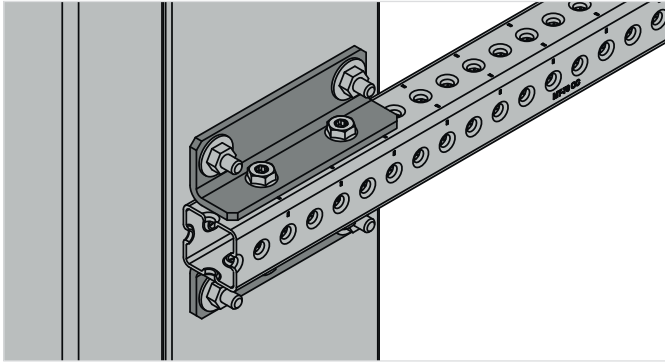
- Part of the Hilti MT system – an economical, all-in-one solution for virtually all modular MEP support structures
- Versatile – creates a post base connection at any location on structural steel
- Simplicity – one WS bracket can be used for all MT closed profiles: MT-70, 80, 90 and 100

### MT-B-G WS NC Starter Bracket

Order Designation	Thickness	Weight	Technical data	Sales pack quantity	Item number	
MT-B-G WS NC	6 mm	4345 g	Outdoor, low to moderate pollution (C3 / C4 - low)	4 pc	2272109	

## MT Closed Profiles Base Material Connectors

### Angle Connector - Outdoor



#### Applications

- Fastening MT-70 and MT-80 closed profiles to steel beams
- Suitable for use in moderately corrosive environments

#### Advantages

- A faster and more economical solution for installing closed profile cantilevers directly to steel beams
- Compatible with powder-actuated threaded studs for steel and MT Thread Forming Bolt channel connectors – for much faster, adaptable assembly
- Corrosion resistance – hot-dip galvanized to help protect against moisture and chemical corrosion

#### Technical data

Material composition	Q355 or better steel
Surface finish	Outdoor Coated - HDG

#### MT-B-G AS OC Base connector (outdoor)

Order Designation	Thickness	Weight	Technical data	Sales pack quantity	Item number	
MT-B-G AS OC	6 mm	560 g	Outdoor, low to moderate pollution (C3 / C4 - low)	10 pc	2332781	

# MT Closed Profiles Base Material Connectors

## 90° Connectors - Outdoor

### Technical data Baseplate

Item image	Load drawing	Order Designation	+ Fz	- Fz	± Fx	± Fy
		MT-B-GS T OC	25,9 kN	15,0 kN	20,4 kN	8,5 kN
		MT-B-GS O4U OC	26,4	18,0 kN	53,9 kN	16,0 kN
		MT-B-GL O4C OC	14,7 kN	14,47 kN	44,3 kN	10,1 kN
		MT-B-GL O4 OC	55,2 kN	55,2 kN	122,4 kN	55,2 kN
		MT-B-GXL O4 OC	93,4 kN	93,4 kN	145,7 kN	87,7 kN
		MT-B-GXL S1 OC	14,9 kN	14,9 kN	74,7 kN	14,9 kN
		MT-B-GXL S2 OC	14,9 kN	14,9 kN	66,1 kN	14,9 kN

**Design note**

- Shown load values are recommended values with partial safety factors for actions and resistance included
- Design value = 1.5 \* recommended value
- The design resistance of the products is defined in accordance with EN1993

## MT Closed Profiles Base Material Connectors

### 90° Connectors, Angle Brace, Starter Bracket - Outdoor

#### Technical data Base Connector

Item image	Load drawing	Order Designation	+ Fz	- Fz	± Fx	± Fy
		MT-B-GXL S3 OC	14,9 kN	14,9 kN	40,2 kN	14,9 kN

**Design note**

- Shown load values are recommended values with partial safety factors for actions and resistance included
- Design value = 1.5 \* recommended value
- The design resistance of the products is defined in accordance with EN1993

#### Technical data Angle Brace

Item image	Load drawing	Order Designation	+ Fz	± Fx	± Fy
		MT-B-GS AB OC	3,0 kN	18,1 kN	18,1 kN

**Design note**

- Shown load values are recommended values with partial safety factors for actions and resistance included
- Design value = 1.5 \* recommended value
- The design resistance of the products is defined in accordance with EN1993

#### Technical data Starter Bracket

Item image	Load drawing	Order Designation	+ Fz	- Fz	± Fx	± Fy
		MT-B-GS WS NC	84,7 kN	84,7 kN	22,2 kN	22,2 kN

**Design note**

- Load values are only valid if MT-90 Closed profile are used.
- Shown load values are recommended values with partial safety factors for actions and resistance included
- Design value = 1.5 \* recommended value
- The design resistance of the products is defined in accordance with EN1993

#### Technical data Base Connector

Item image	Load drawing	Order Designation	+ Fz	± Fx	± Fy
		MT-B-G AS OC	23,9 kN	47,1 kN	7,1 kN

**Design note**

- Shown load values are recommended values with partial safety factors for actions and resistance included
- Design value = 1.5 \* recommended value
- The design resistance of the products is defined in accordance with EN1993



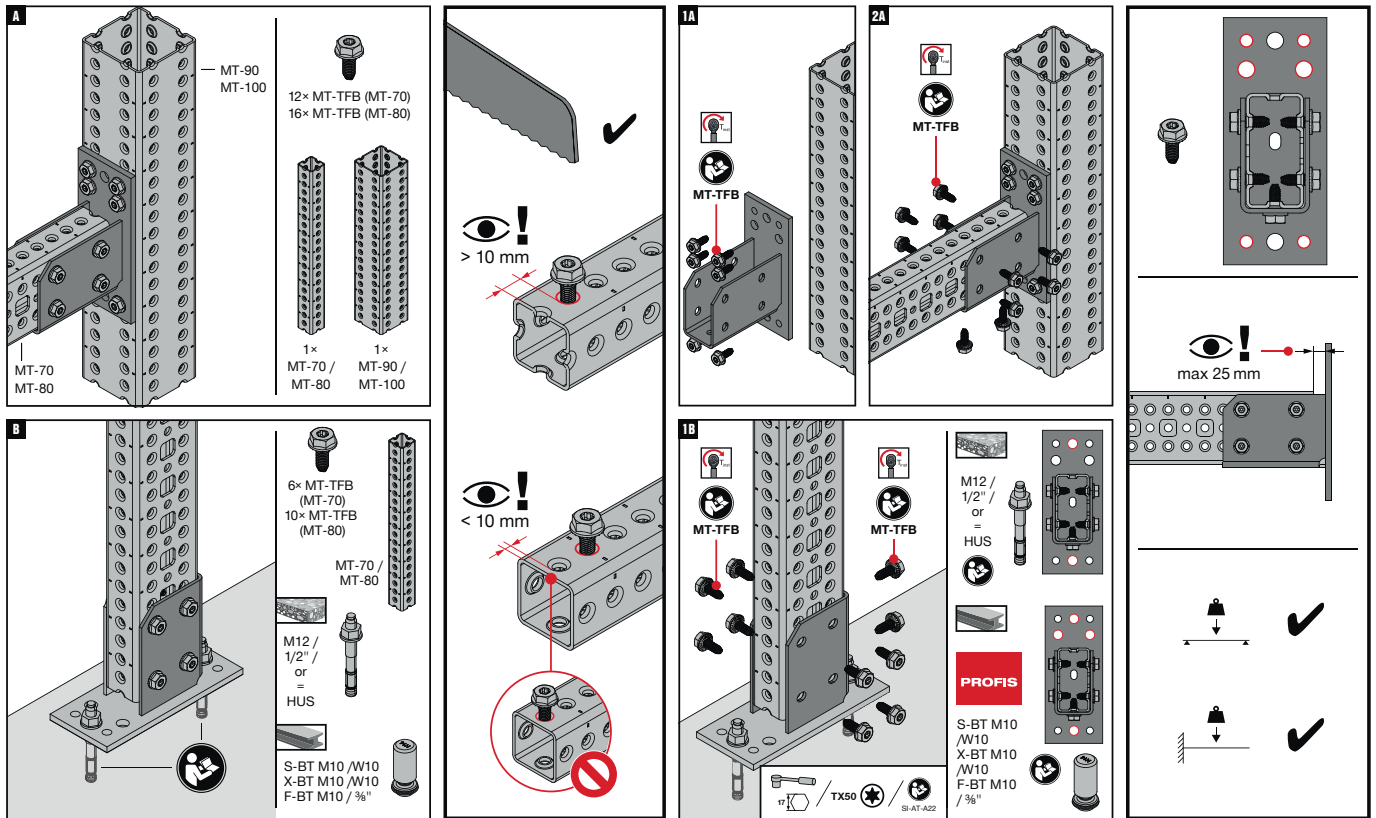
# MT Closed Profiles Base Material Connectors

## 90° Connector - Outdoor

### Operation Instruction

#### MT-B-GS T OC

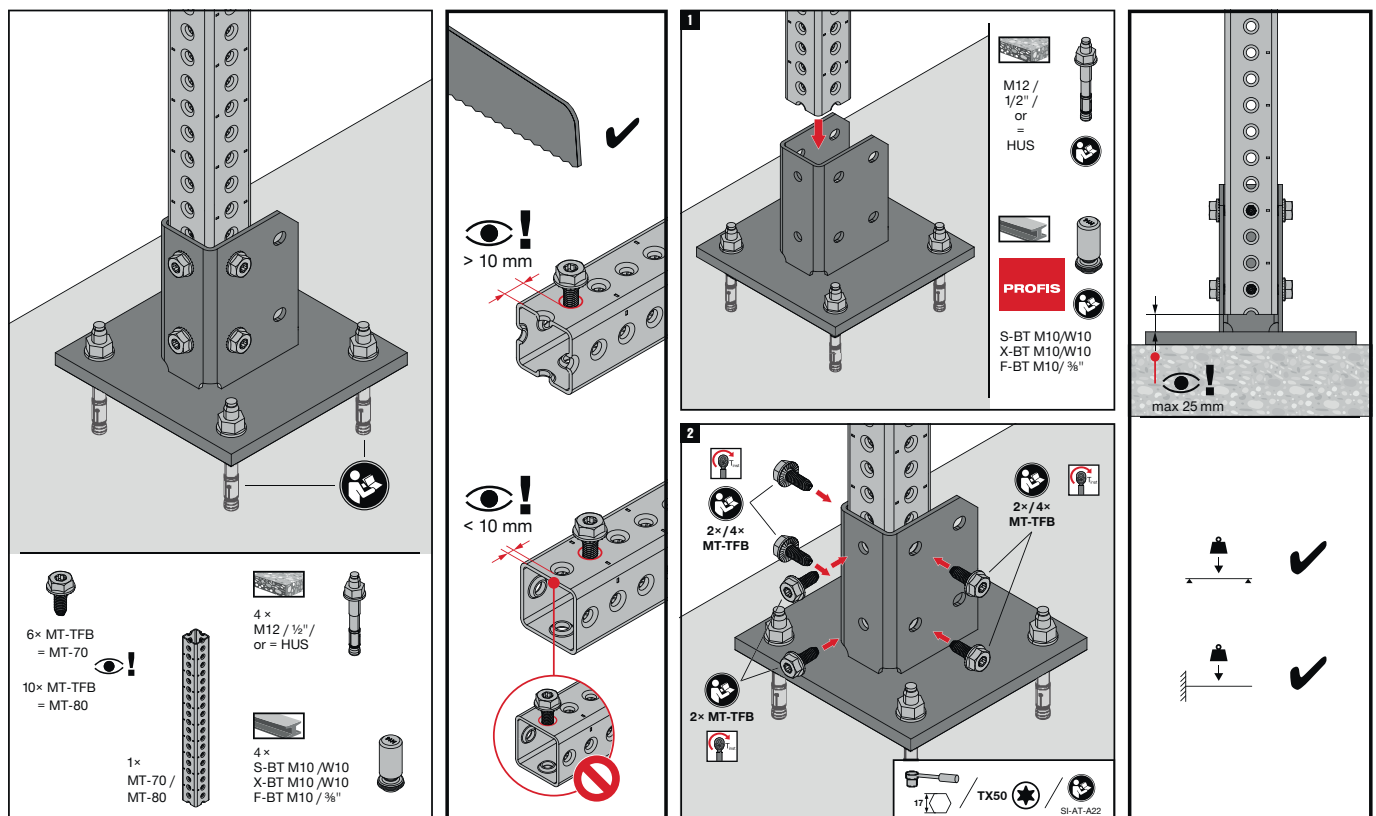
2294558-07.2020



The latest IFU (Instruction For Use) is available on Hilti Online. Please check for any revisions before installing the product.

#### MT-B-GS O4U OC

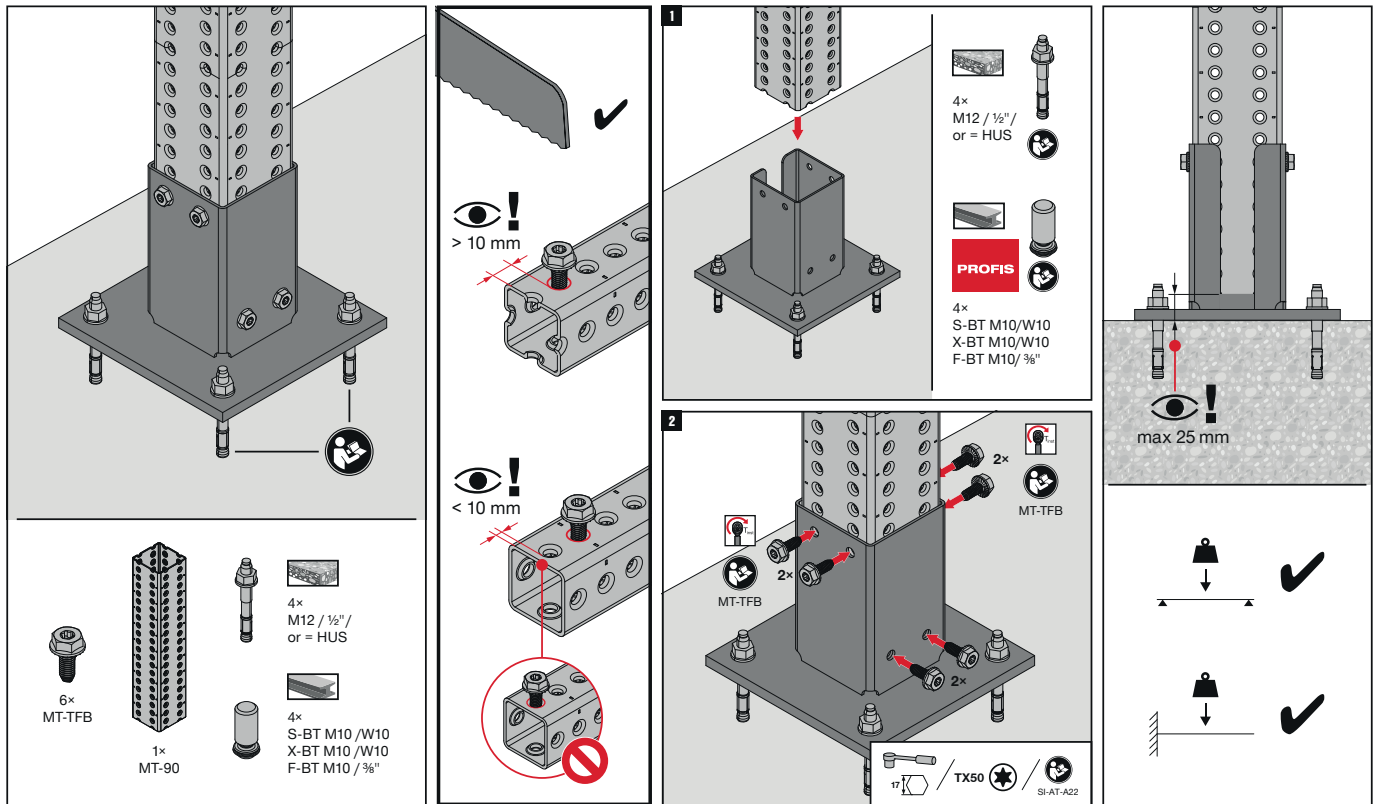
2294559-06.2020



The latest IFU (Instruction For Use) is available on Hilti Online. Please check for any revisions before installing the product.

**MT Closed Profiles Base Material Connectors**
**90° Connector - Outdoor**
**Operation Instruction**
**MT-B-GL O4C OC**

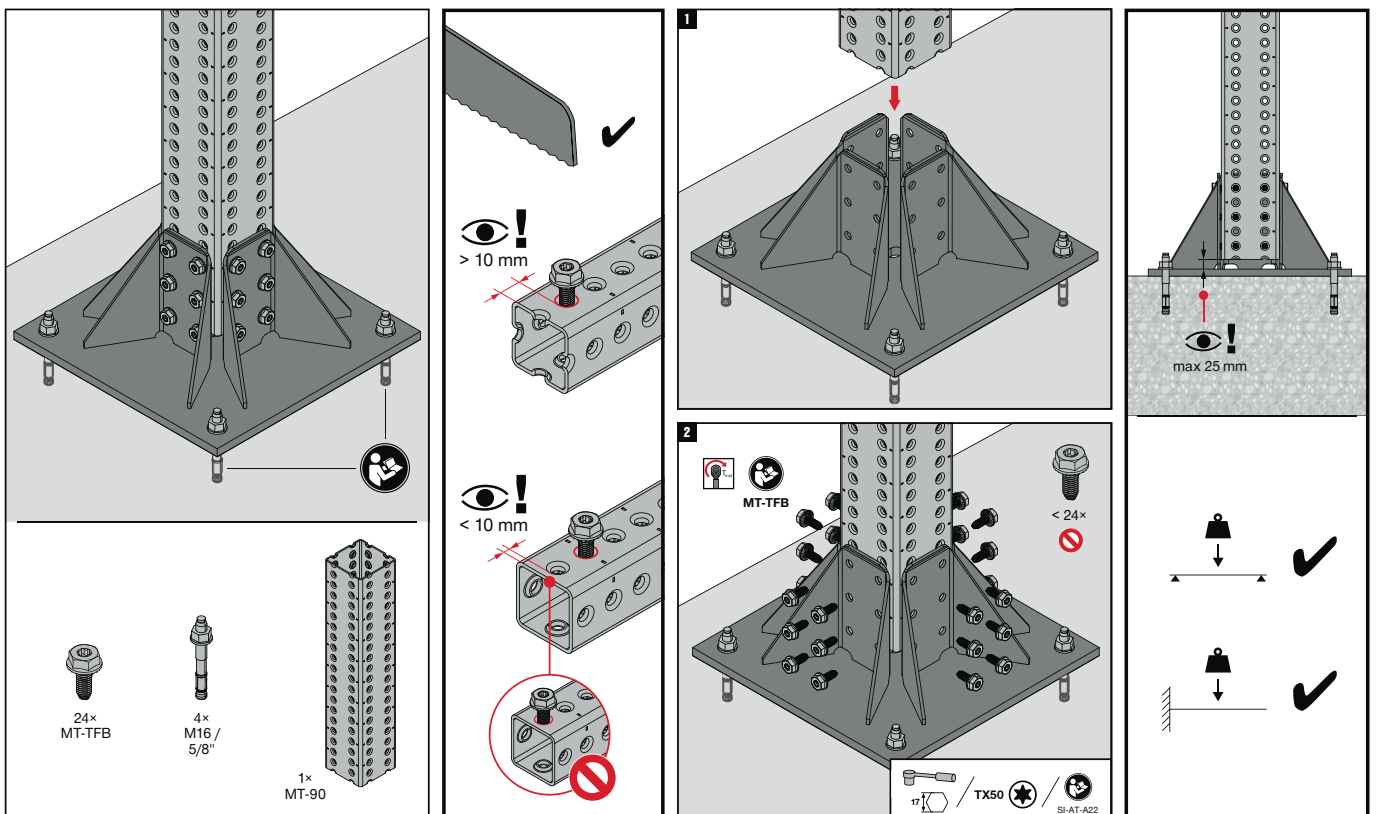
2347956-12.2021



The latest IFU (Instruction For Use) is available on Hilti Online. Please check for any revisions before installing the product.

**MT-B-GL O4 OC / MT-B-GXL O4 OC**

2294690-05.2020



The latest IFU (Instruction For Use) is available on Hilti Online. Please check for any revisions before installing the product.

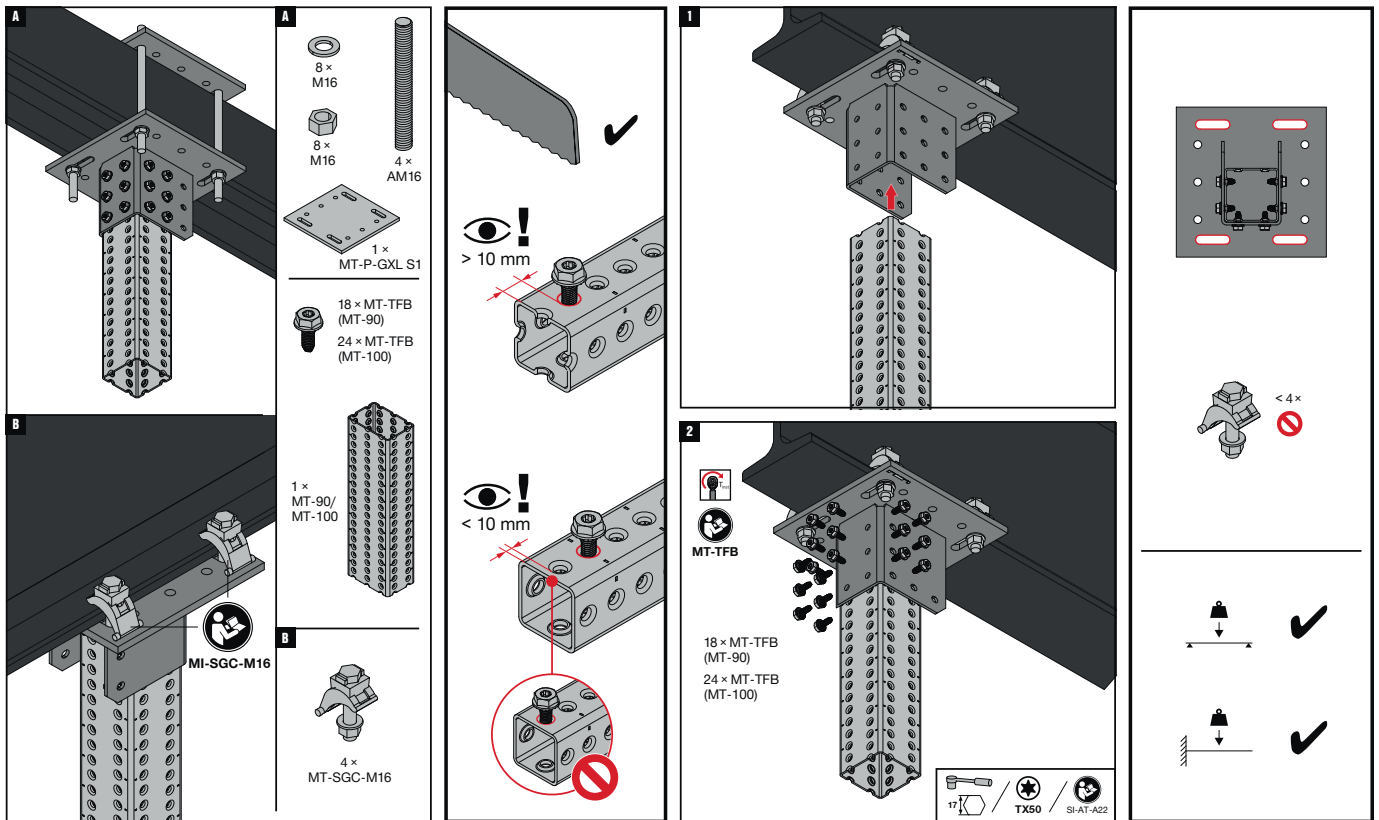
# MT Closed Profiles Base Material Connectors

## 90° Connector, Angle Brace - Outdoor

### Operation Instruction

MT-B-GXL S1 OC / MT-B-GXL S2 OC / MT-B-GXL S3 OC

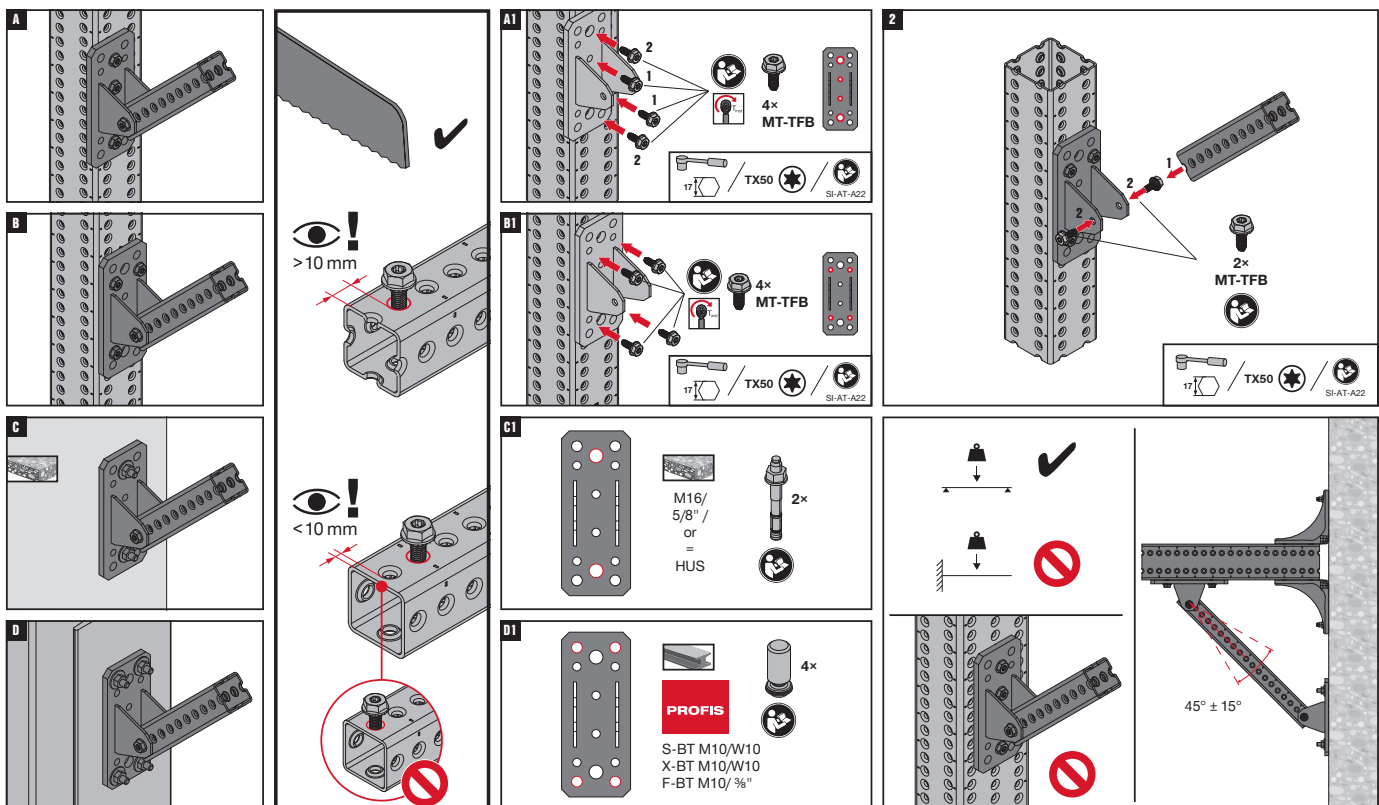
2294692-09.2020



The latest IFU (Instruction For Use) is available on Hilti Online. Please check for any revisions before installing the product.

### MT-B-GS AB OC

2334522-08.2021



The latest IFU (Instruction For Use) is available on Hilti Online. Please check for any revisions before installing the product.

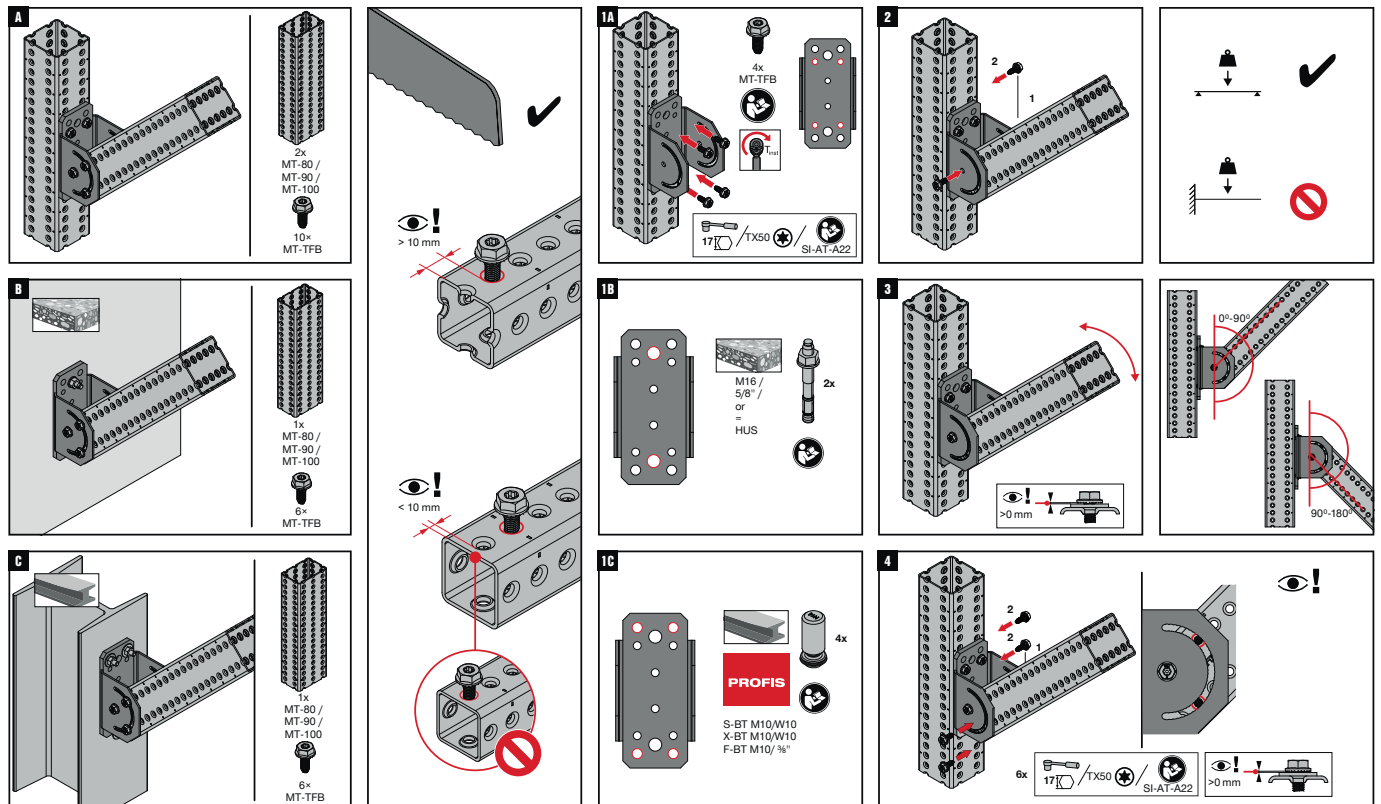
**MT Closed Profiles Base Material Connectors**

## Angle Brace, Starter Bracket - Outdoor

**Operation Instruction**

## MT-B-GL AB OC

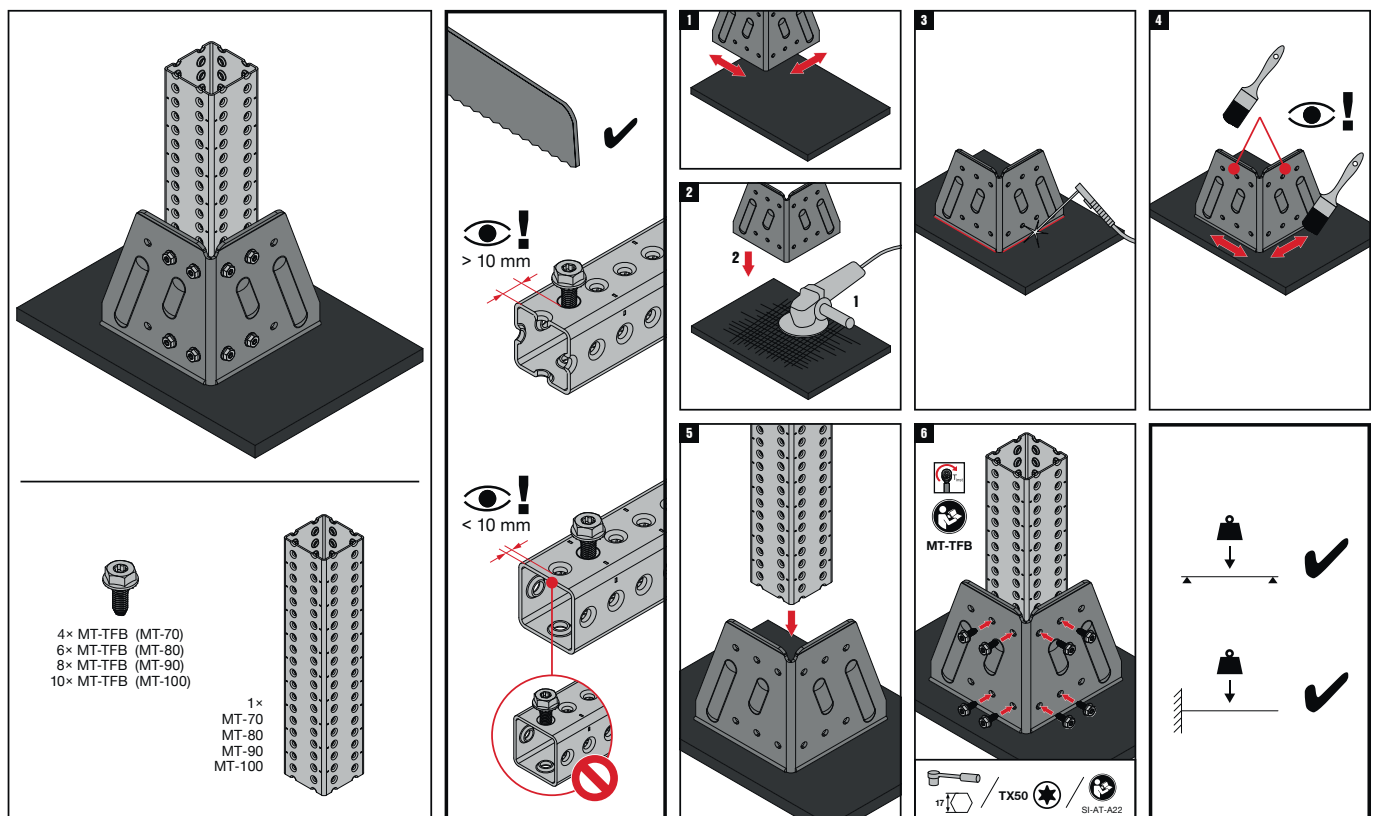
2359996-04.2022



The latest IFU (Instruction For Use) is available on Hilti Online. Please check for any revisions before installing the product.

**MT-B-G WS NC**

2294693-07.2020



The latest IFU (Instruction For Use) is available on Hilti Online. Please check for any revisions before installing the product.

# MT Closed Profiles Base Material Connectors

## Angle Connector - Outdoor

### Operation Instruction

#### MT-B-G AS OC

2334552-07.2020

**A**

4x MT-TFB

1x MT-70 / MT-80

4 x M12 / 1/2" / or = HUS

17 / TX50 / SI-AT-A22

min. 5mm (3/16")

**1**

MT-TFB

0mm

17 / TX50 / SI-AT-A22

**B**

4x MT-TFB

1x MT-70 / MT-80

4 x S-BT M10 / W10  
X-BT M10 / W10  
F-BT M10 / 3/8"

17 / TX50 / SI-AT-A22

**2A**

M12 / 1/2" / or = HUS

**2B**

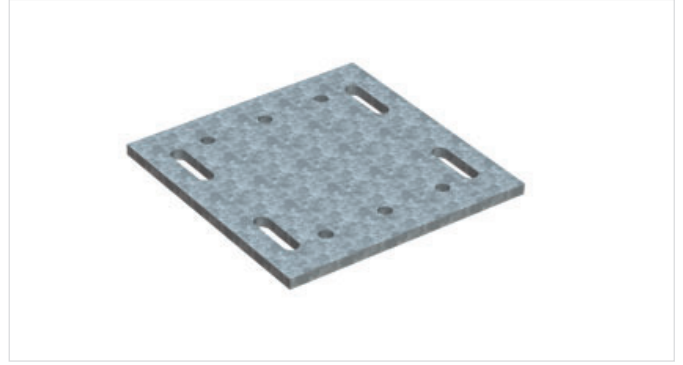
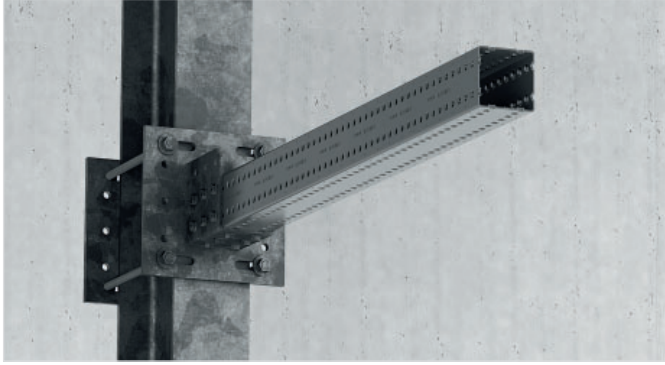
PROFIS

S-BT M10/W10  
X-BT M10/W10  
F-BT M10/3/8"

The latest IFU (Instruction For Use) is available on Hilti Online. Please check for any revisions before installing the product.

## MT Closed Profiles Base Material Connectors

### Sandwich Plate - Outdoor



#### Applications

- Assembling a sandwich clamp around structural steel for fastening MT baseplates (threaded rod required)
- Suitable for use in moderately corrosive environments

#### Technical data

Material composition	Q355 or better steel
Surface finish	Outdoor Coated - HDG

#### Advantages

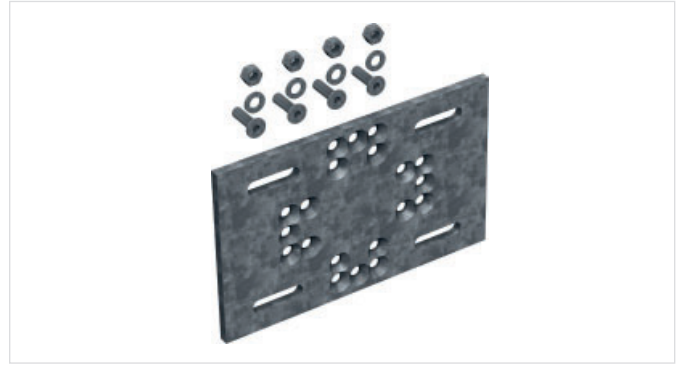
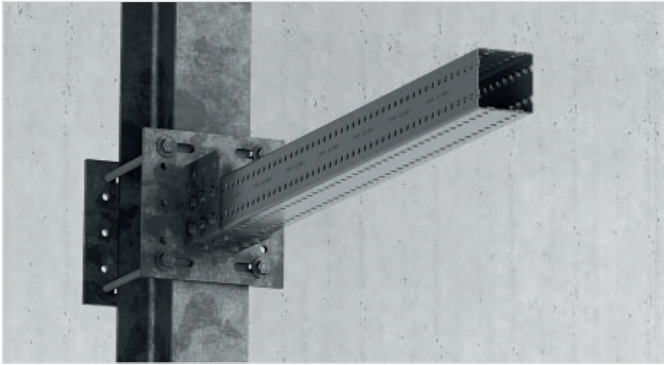
- Part of the Hilti MT system – an economical, all-in-one solution for virtually all modular MEP support structures
- Easy to install – four slotted anchor holes to simplify positioning
- No drilling, welding or anchoring required – clamp modular baseplates around a steel beam without fastening directly to it

### MT-P-GXL S1 OC Sandwich Plate - Outdoor

Order Designation	Thickness	Weight	Technical data	Sales pack quantity	Item number	
MT-P-GXL S1 OC	15 mm	6902 g	Outdoor, low to moderate pollution (C3 / C4 - low)	2 pc	2272110	

## MT Closed Profiles Base Material Connectors

### Modular Base Plate - Outdoor



#### Applications

- Attaching triangular bracing and grid baseplates to structural steel without the need for direct fastening
- Bracing connections to steel, closed profile cantilevers with MT-70/80 to steel and back plates for sandwich connections

#### Advantages

- Part of the Hilti MT system – an economical, all-in-one solution for virtually all modular MEP support structures
- Lighter MEP support structures – save weight compared with MI and welded solutions
- Compatible with the Hilti Adaptive Torque system – use a cordless impact wrench to tighten nuts to the correct pretension more economically (compatible tool and SI-AT module required)

#### Technical data

Material composition	Q355 or better steel
Surface finish	Outdoor Coated - HDG

### MT-P-G S1 / S2 / S3 OC Modular Base Plate - Outdoor

Order Designation	Thickness	Weight	Technical data	Sales pack quantity	Item number	
MT-P-G S1 OC	12 mm	3368g	Outdoor, low to moderate pollution (C3 / C4 - low)	1 baseplate, 4 bolts, 4 washers and 4 nuts	2343199	
MT-P-G S2 OC	12 mm	3302g		1 baseplate, 4 bolts, 4 washers and 4 nuts	2343280	
MT-P-G S3 OC	12 mm	4131g		1 baseplate, 4 bolts, 4 washers and 4 nuts	2343281	

**MT Closed Profiles Base Material Connectors**

## Modular Base Plate - Outdoor

**5**
**MT-P-GM S1 / S2 / S3 OC Modular Base Plate - Outdoor**

Order Designation	Thickness	Weight	Technical data	Sales pack quantity	Item number	
<b>MT-P-GM S1 OC set</b>	12 mm	6550g	Outdoor, low to moderate pollution (C3 / C4 - low)	2 baseplates, 8 bolts, 8 washers and 8 nuts	<b>2345353</b>	
<b>MT-P-GM S2 OC set</b>	12 mm	6450g		2 baseplates, 8 bolts, 8 washers and 8 nuts	<b>2345354</b>	
<b>MT-P-GM S3 OC set</b>	12 mm	8100g		2 baseplates, 8 bolts, 8 washers and 8 nuts	<b>2345355</b>	



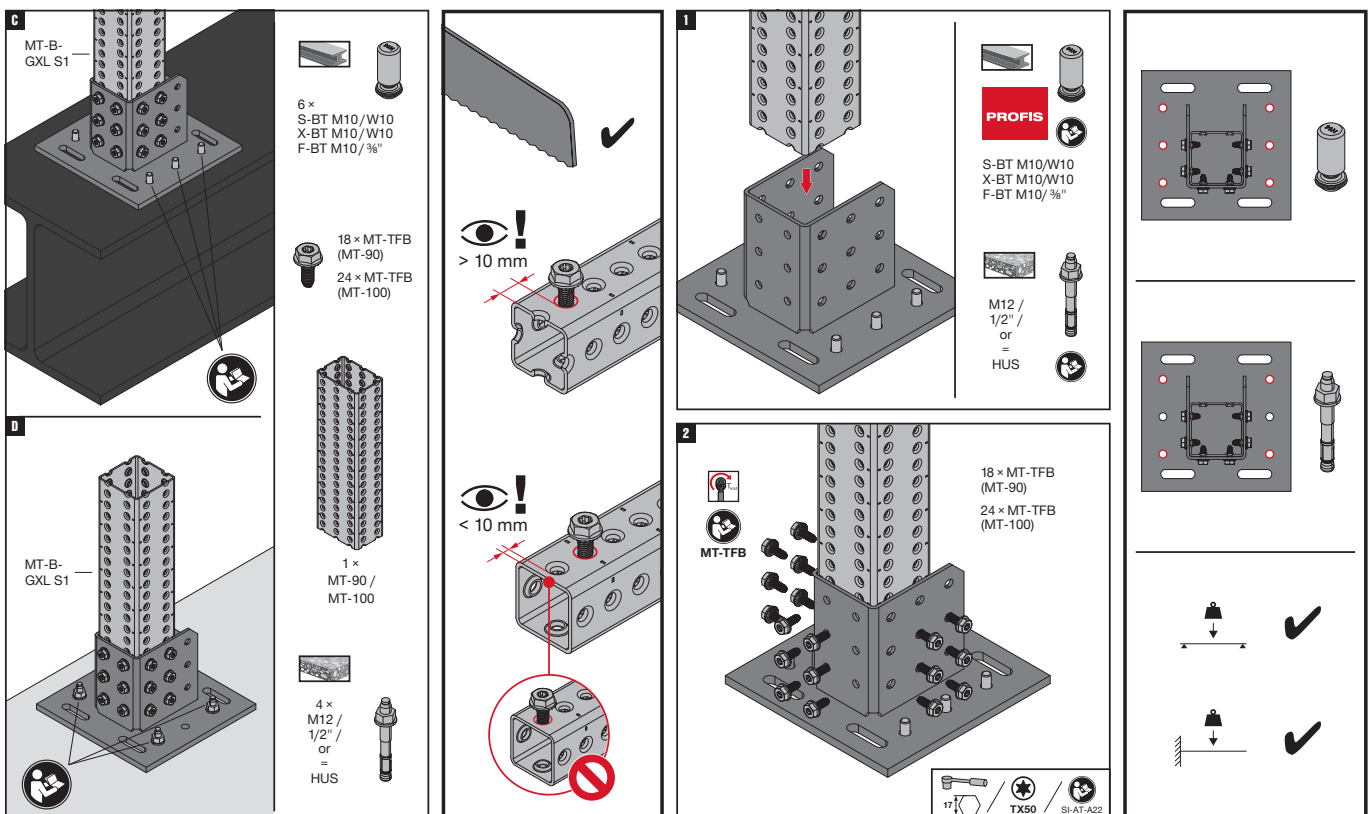
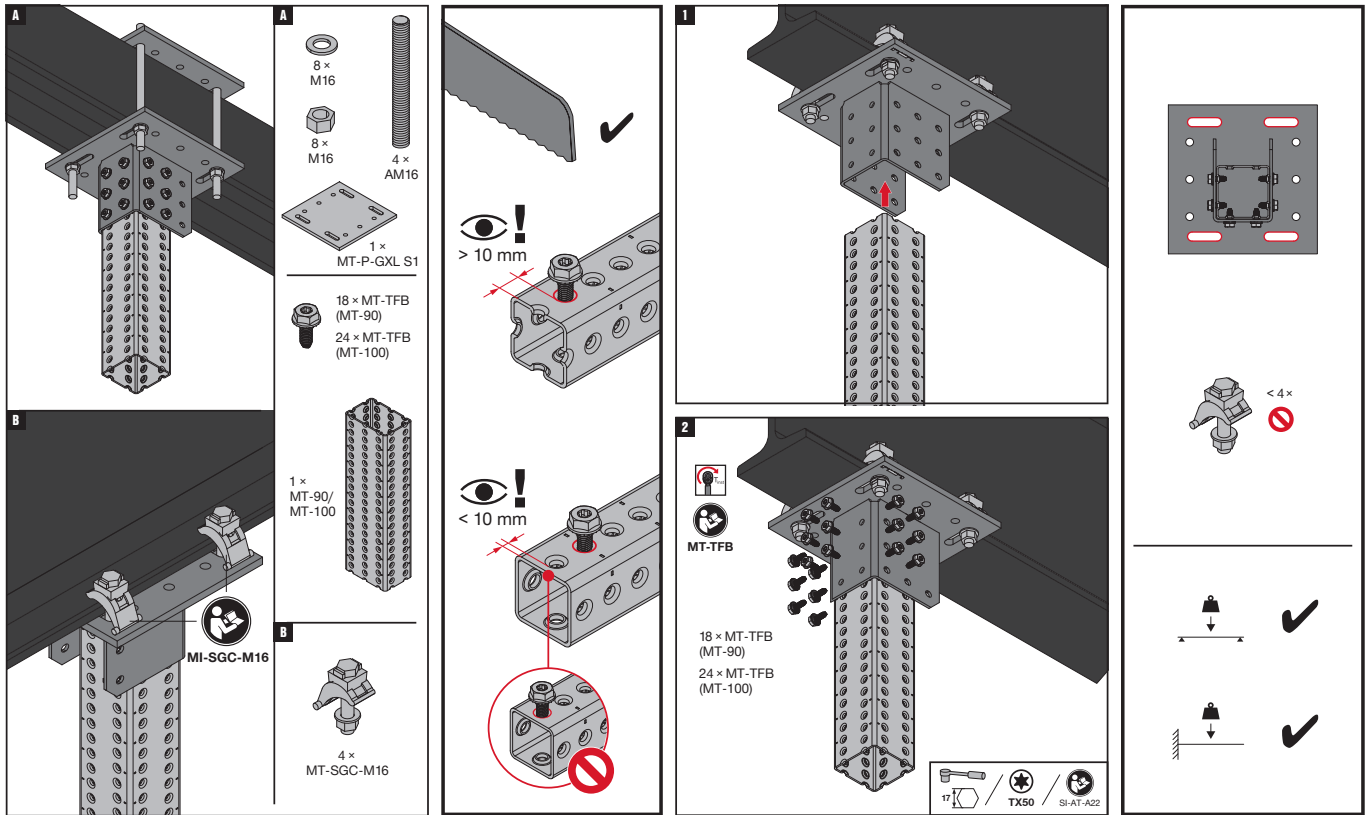
# MT Closed Profiles Base Material Connectors

## Connections To Steel - Outdoor

### Operation Instruction

MT-B-GXL S1 OC / MT-B-GXL S2 OC / MT-B-GXL S3 OC

2294692-09 2020



The latest IFU (Instruction For Use) is available on Hilti Online. Please check for any revisions before installing the product.

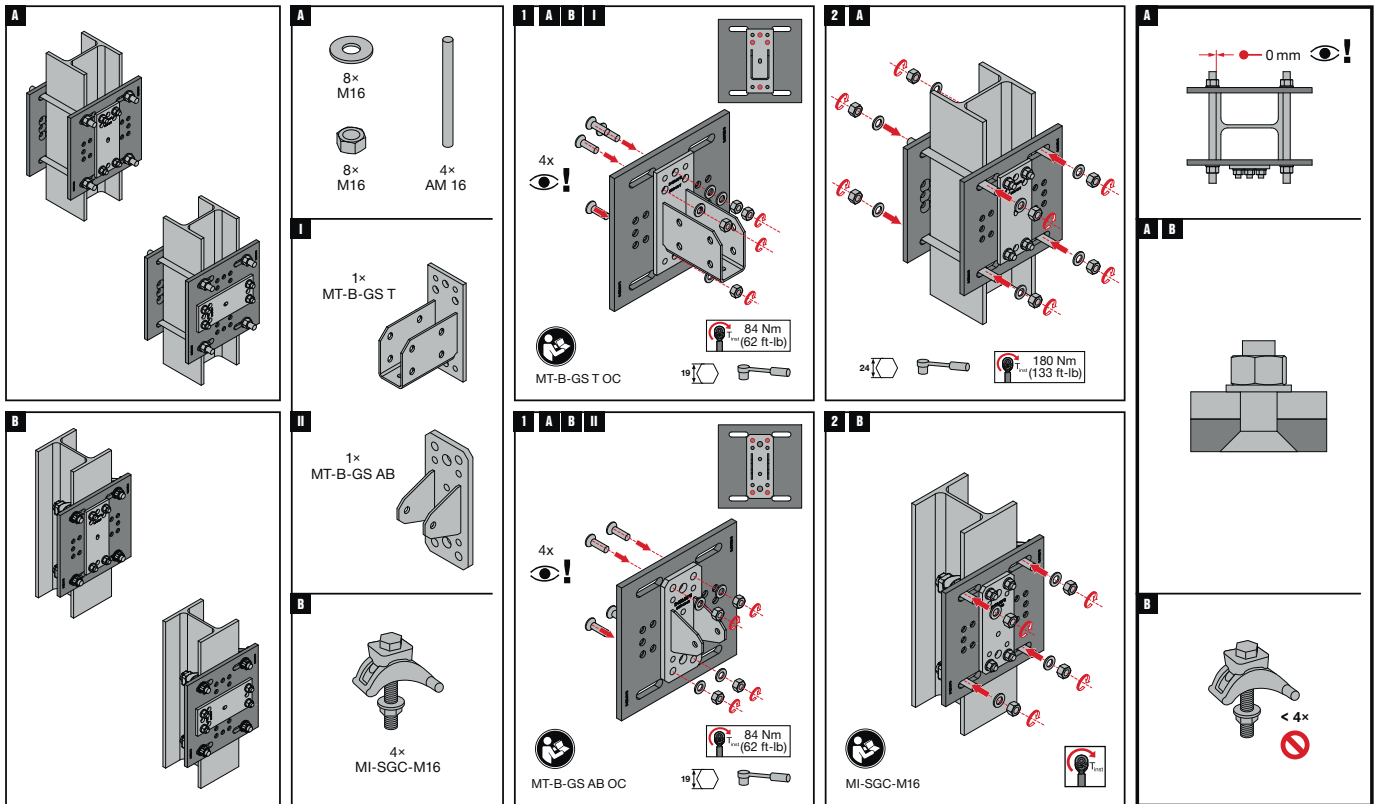
# MT Closed Profiles Base Material Connectors

## Connections To Steel - Outdoor

### Operation Instruction

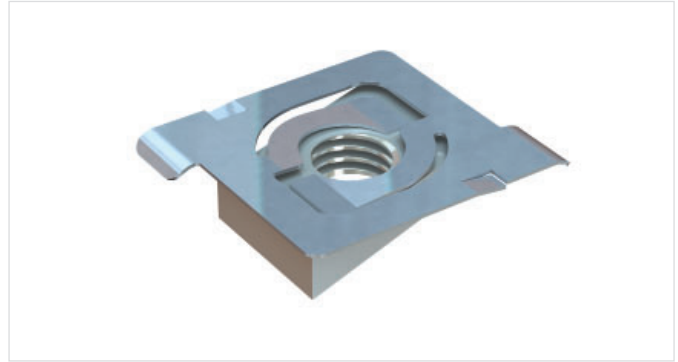
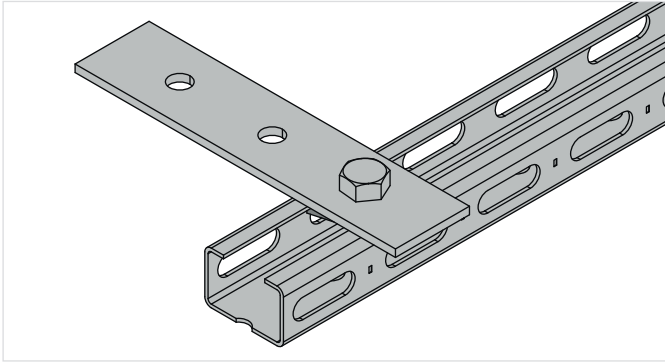
MT-P-GM S1 OC + MT-P-G S1 OC / MT-P-GM S2 OC + MT-P-G S2 OC / MT-P-GM S3 OC + MT-P-G S3 OC

2347908-11.2021



The latest IFU (Instruction For Use) is available on Hilti Online. Please check for any revisions before installing the product.

## MT Media Fixation For Open C-channels (Struts) Threaded Fixation Plate



### Applications

- Attaching MEP media (hardware) to MT strut when no shear load resistance is required

### Technical data

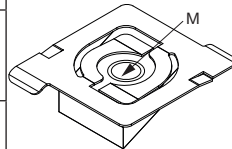
Material composition	Q235B or better steel
Surface finish	Pre-galvanized - for dry indoor use only

### Advantages

- Part of the Hilti MT system – an economical, all-in-one solution for virtually all modular MEP support structures
- Simple media fixation method where no shear force resistance is required
- Easy to install – insert into strut channel using a one-handed “push-and-twist” motion

## MT-FPT M8 / M10 / M12 Threaded Fixation Plate

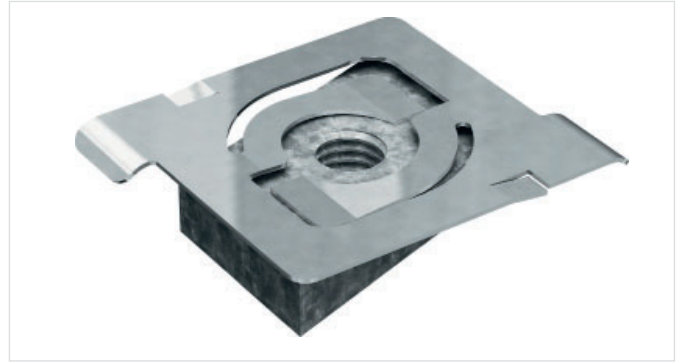
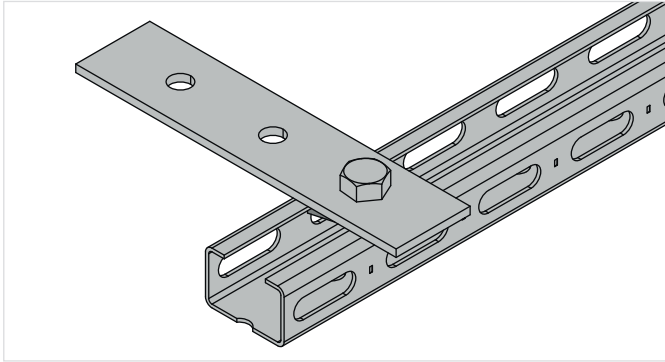
Order Designation	Technical data	Sales pack quantity	Item number
MT-FPT M8	Dry indoor conditions (C1) Indoor with temporary condensation (C2)	50 pc	2281867
MT-FPT M10		50 pc	2282193
MT-FPT M12		50 pc	2282195



**MT Media Fixation For Open C-channels (Struts)**

## Threaded Fixation Plate - Outdoor

6


**Applications**

- Attaching MEP media (hardware) to MT strut when no shear load resistance is required

**Technical data**

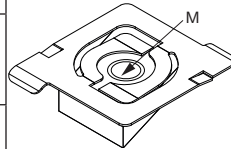
Material composition	Q235B or better
Surface finish	Hot-dip galvanized - for outdoor use

**Advantages**

- Part of the Hilti MT system – an economical, all-in-one solution for virtually all modular MEP support structures
- Simple media fixation method where no shear force resistance required
- Easy to install – insert into strut channel using a one-handed “push-and-twist” motion

**MT-FPT OC M8 / M10 / M12 OC Threaded Fixation Plate - Outdoor**

Order Designations	Technical data	Sales pack quantity	Item number
MT-FPT M8 OC	Outdoor, low to moderate pollution (C3 / C4 - low)	50 pc	2282192
MT-FPT M10 OC		50 pc	2282194
MT-FPT M12 OC		50 pc	2282196



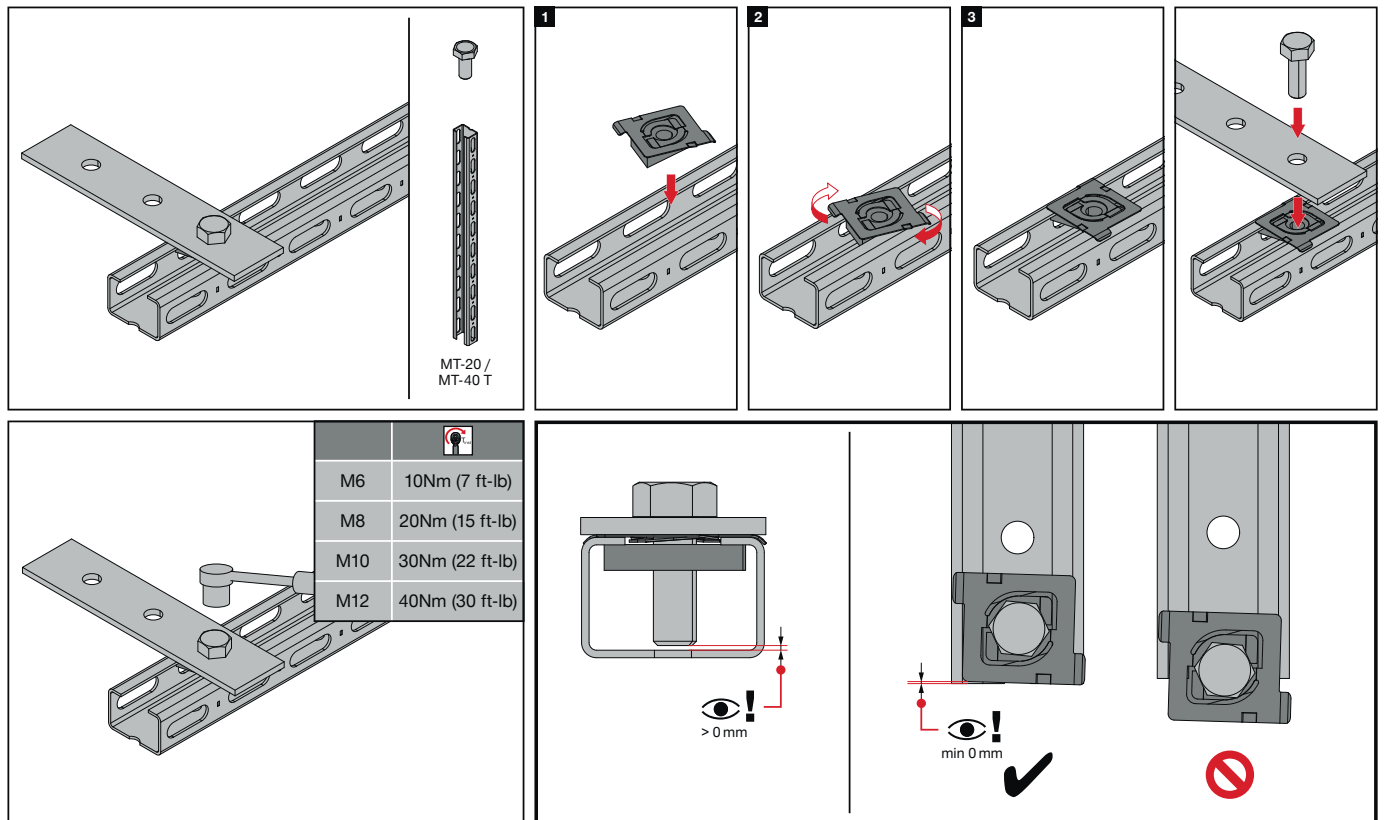
# MT Media Fixation For Open C-channels (Struts)

## Threaded Fixation Plate

### Operation Instruction

MT-FPT / MT-FPT OC

2294627-07.2020

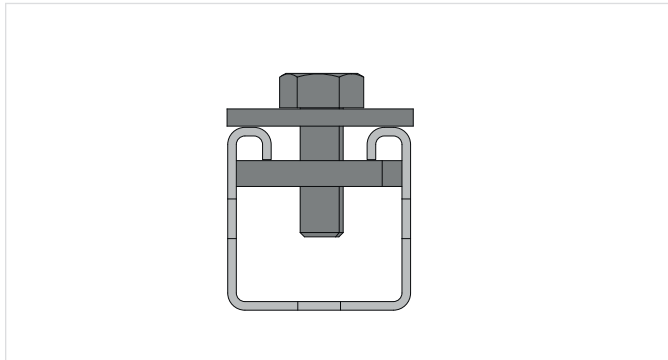


The latest IFU (Instruction For Use) is available on Hilti Online. Please check for any revisions before installing the product.

## MT Media Fixation For Open C-channels (Struts)

### Threaded Fixation Plate

6



#### Applications

- Attaching MEP media (hardware) to MT strut when no shear load resistance is required
- Suitable for use in dry, indoor environments

#### Advantages

- Part of the Hilti MT system – an economical, all-in-one solution for virtually all modular MEP support structures
- Simple media fixation method where no shear force resistance required

#### Technical data

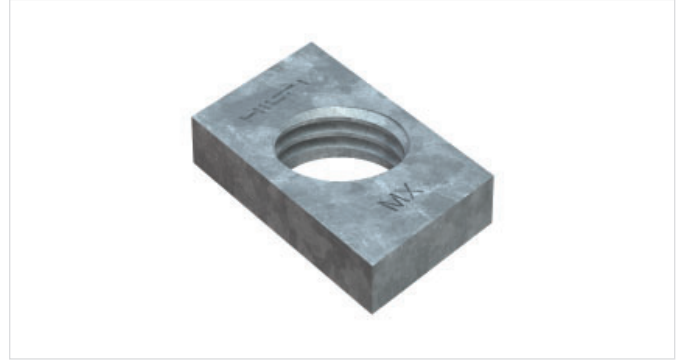
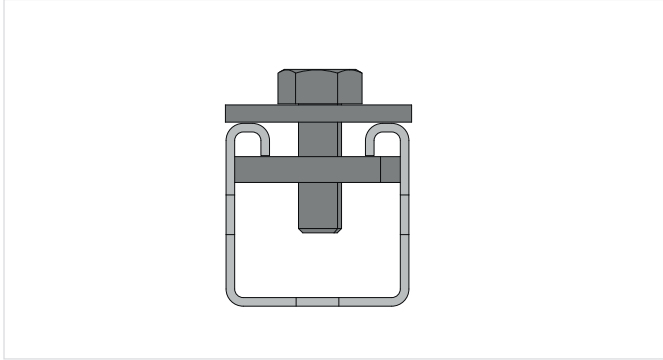
Material composition	Q235B or better steel
Surface finish	Pre-galvanized - for dry indoor use only

### MT-FP M6 / M8 / M10 / M12 / M16 Threaded Fixation Plate

Order Designation	Technical data	Sales pack quantity	Item number	
MT-FP M6	Dry indoor conditions (C1) Indoor with temporary condensation (C2)	100 pc	2273653	
MT-FP M8		100 pc	2273655	
MT-FP M10		100 pc	2273657	
MT-FP M12		100 pc	2273659	
MT-FP M16		100 pc	2273671	

## MT Media Fixation For Open C-channels (Struts)

### Threaded Fixation Plate - Outdoor



#### Applications

- Attaching MEP media (hardware) to MT strut when no shear load resistance is required
- Suitable for use in moderately corrosive environments

#### Advantages

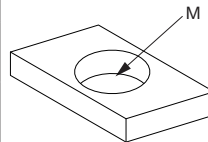
- Part of the Hilti MT system – an economical, all-in-one solution for virtually all modular MEP support structures
- Simple media fixation method where no shear force resistance required
- Corrosion resistance – hot-dip galvanized to help protect against moisture and chemical corrosion

#### Technical data

Material composition	Q235B or better steel
Surface finish	Hot-dip galvanized - for outdoor use

### Threaded Fixation Plate - Outdoor

Item designation	Technical data	Sales pack quantity	Item number
MT-FP M6 OC	Outdoor, low to moderate pollution (C3 / C4 - low)	100 pc	2273654
MT-FP M8 OC		100 pc	2273656
MT-FP M10 OC		100 pc	2273658
MT-FP M12 OC		100 pc	2273670
MT-FP M16 OC		100 pc	2273672



# MT Media Fixation For Open C-channels (Struts)

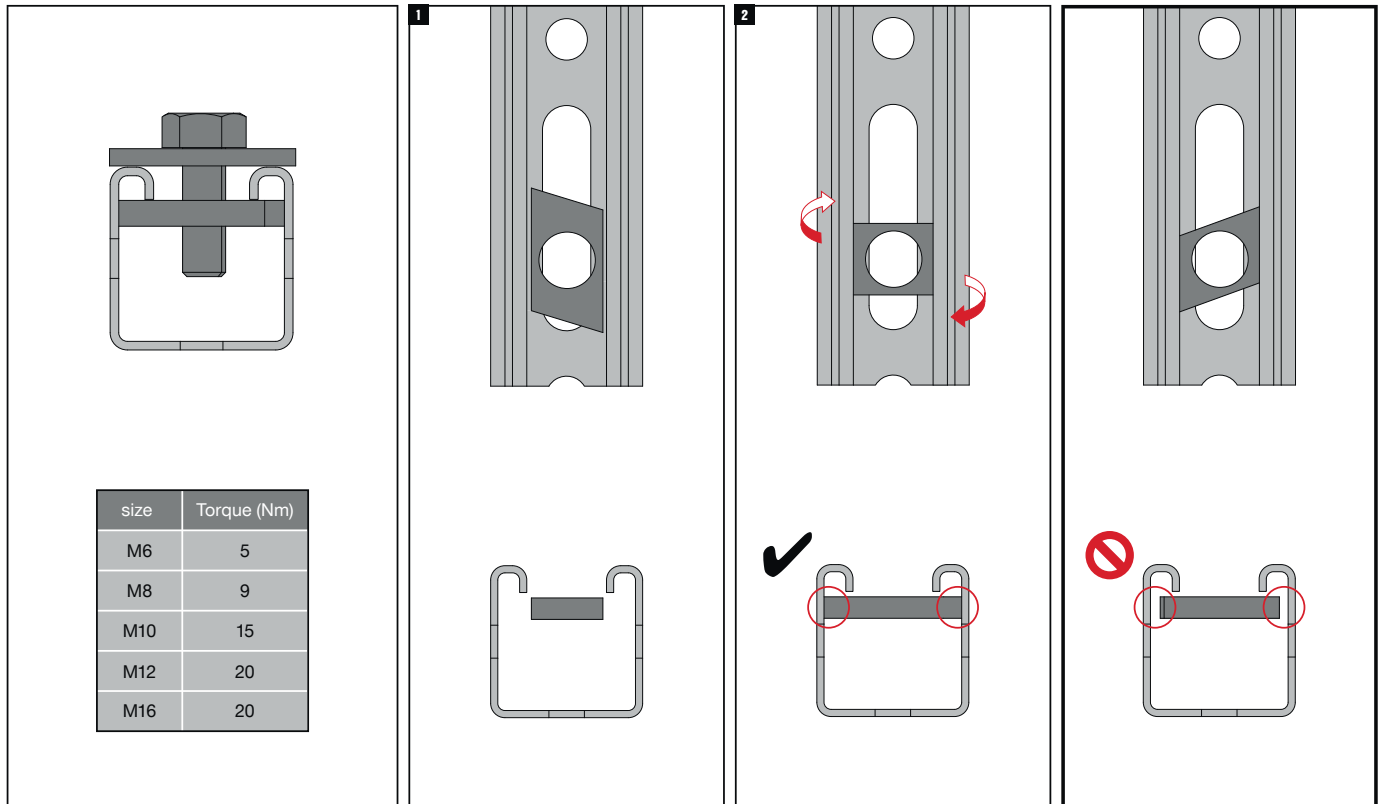
## Threaded Fixation Plate

6

### Operation Instruction

MT-FP / MT-FP OC

2298189-07.2020

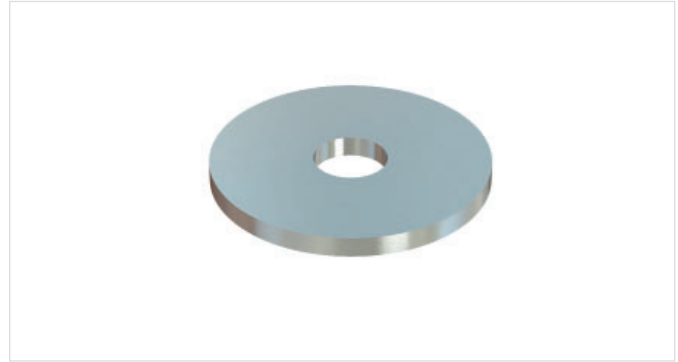
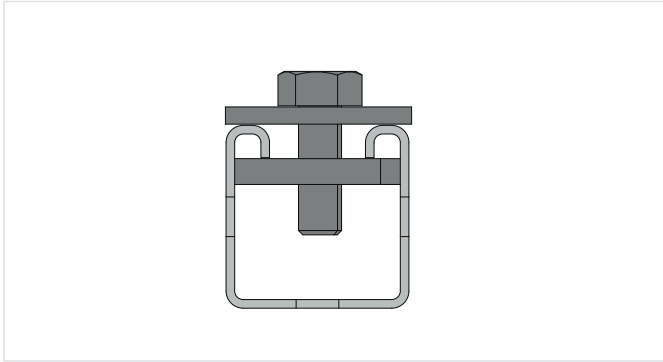


The latest IFU (Instruction For Use) is available on Hilti Online. Please check for any revisions before installing the product.



## MT Media Fixation For Open C-channels (Struts)

### Washer - Outdoor



#### Applications

- Assembling strut trapeze for piping supports

#### Technical data

Material composition	Q235 or better steel
Surface finish	Outdoor Coated - HDG

#### Advantages

- Part of the Hilti MT system – an economical, all-in-one solution for virtually all modular MEP support structures
- Versatile solution for fastening pipe rings to the open face of MT strut channels using MT-FP threaded plates

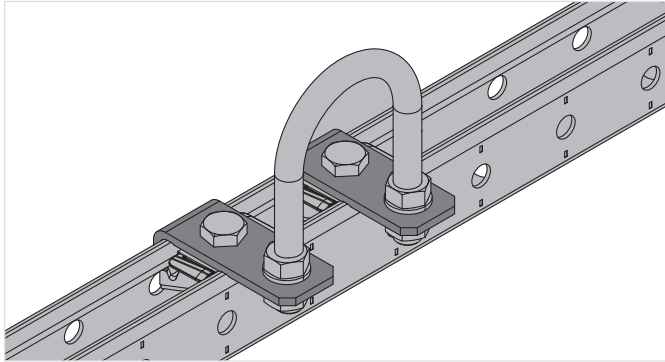
### MT-ZW M8 / M10 / M12 / M16 OC Washer - Outdoor

Order Designation	Weight	Technical data	Sales pack quantity	Item number	
MT-ZW M8 OC	2 g	Outdoor, low to moderate pollution (C3 / C4 - low)	100 pc	2283114	
MT-ZW M10 OC	4 g		100 pc	2283115	
MT-ZW M12 OC	6 g		100 pc	2283116	
MT-ZW M16 OC	11 g		100 pc	2283117	

## MT Media Fixation For Open C-channels (Struts)

### U-bolt Fixation Angle

6



#### Applications

- Attaching MEP media to MT strut channels
- Suitable for use in dry, indoor environments

#### Advantages

- Part of the Hilti MT system – an economical, all-in-one solution for virtually all modular MEP support structures
- Easy to install – compatible with the Hilti MT Twist-Lock, a faster alternative to spring nuts for assembling a modular support system
- Simple media fixation method

#### Technical data

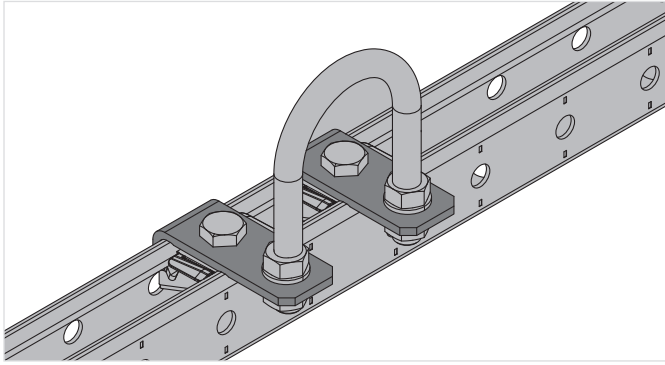
Material composition	Q235B or better steel
Surface finish	Pre-galvanized - for dry indoor use only

### MT-FA-C M8 / M10 / M12 / M16 U-bolt Fixation Angle

Order designations	Technical data	Sales pack quantity	Item number	
MT-FA-C M8	Dry indoor conditions (C1) Indoor with temporary condensation (C2)	20 pc	2273686	
MT-FA-C M10		20 pc	2273688	
MT-FA-C M12		20 pc	2273690	
MT-FA-C M16		20 pc	2273692	

## MT Media Fixation For Open C-channels (Struts)

### U-bolt Fixation Angle - Outdoor



#### Applications

- Attaching MEP media to MT strut channels
- Suitable for use in moderately corrosive environments

#### Technical data

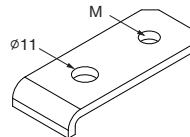
Material composition	Q355B or better steel
Surface finish	Hot-dip galvanized - for outdoor use

#### Advantages

- Part of the Hilti MT system – an economical, all-in-one solution for virtually all modular MEP support structures
- Easy to install – compatible with the Hilti MT Twist-Lock, a faster alternative to spring nuts for assembling a modular support system
- Simple media fixation method

## MT-FA-C OC U-bolt Fixation Angle

Order designation	Technical data	Sales pack quantity	Item number
MT-FA-C M8 OC	Outdoor, low to moderate pollution (C3 / C4 - low)	20 pc	2273687
MT-FA-C M10 OC		20 pc	2273689
MT-FA-C M12 OC		20 pc	2273691
MT-FA-C M16 OC		20 pc	2273652



# MT Media Fixation For Open C-channels (Struts)

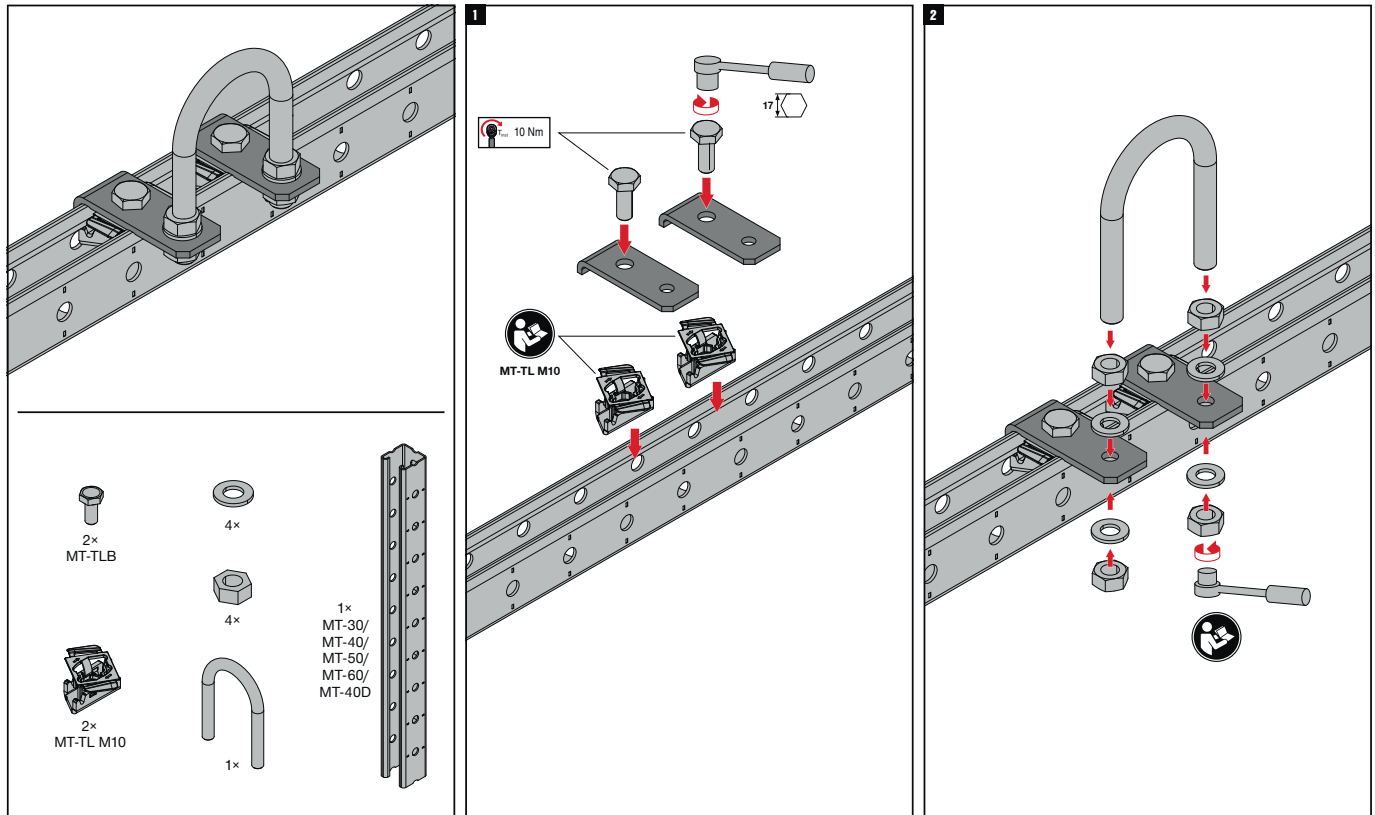
## U-bolt Fixation Angle

6

### Operation Instruction

MT-FA-C M8/M10/M12/M16 / MT-FA-C M8/M10/M12/M16 OC

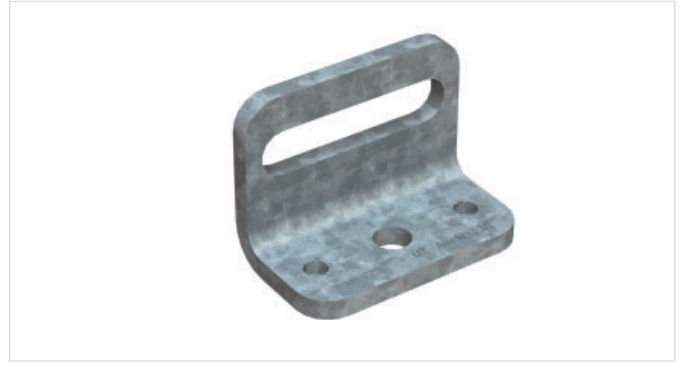
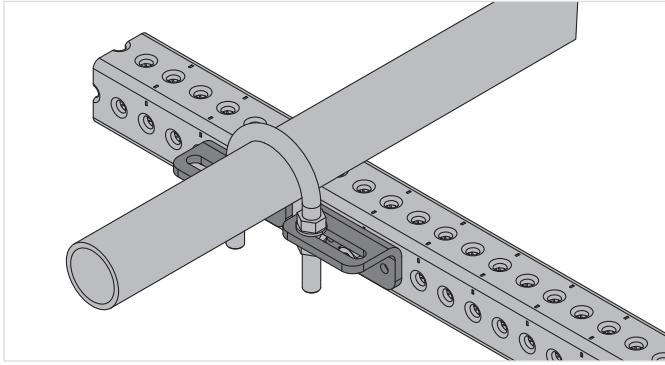
2294628-07.2020



The latest IFU (Instruction For Use) is available on Hilti Online. Please check for any revisions before installing the product.

## MT Media Fixation For Closed Profiles

### U-bolt Fixation Angle - Outdoor



#### Applications

- Attaching MEP media to MT closed profiles
- Suitable for use in moderately corrosive environments

#### Advantages

- Part of the Hilti MT system – an economical, all-in-one solution for virtually all modular MEP support structures
- Easy to install – one-step fastening using Hilti MT-TFB thread-forming bolts
- Simple media fixation method

#### Technical data

Material composition	Q235B or better steel
Surface finish	Hot-dip galvanized - for outdoor use

## MT-FA-G OC Closed Profile U-bolt Fixation Angle - Outdoor

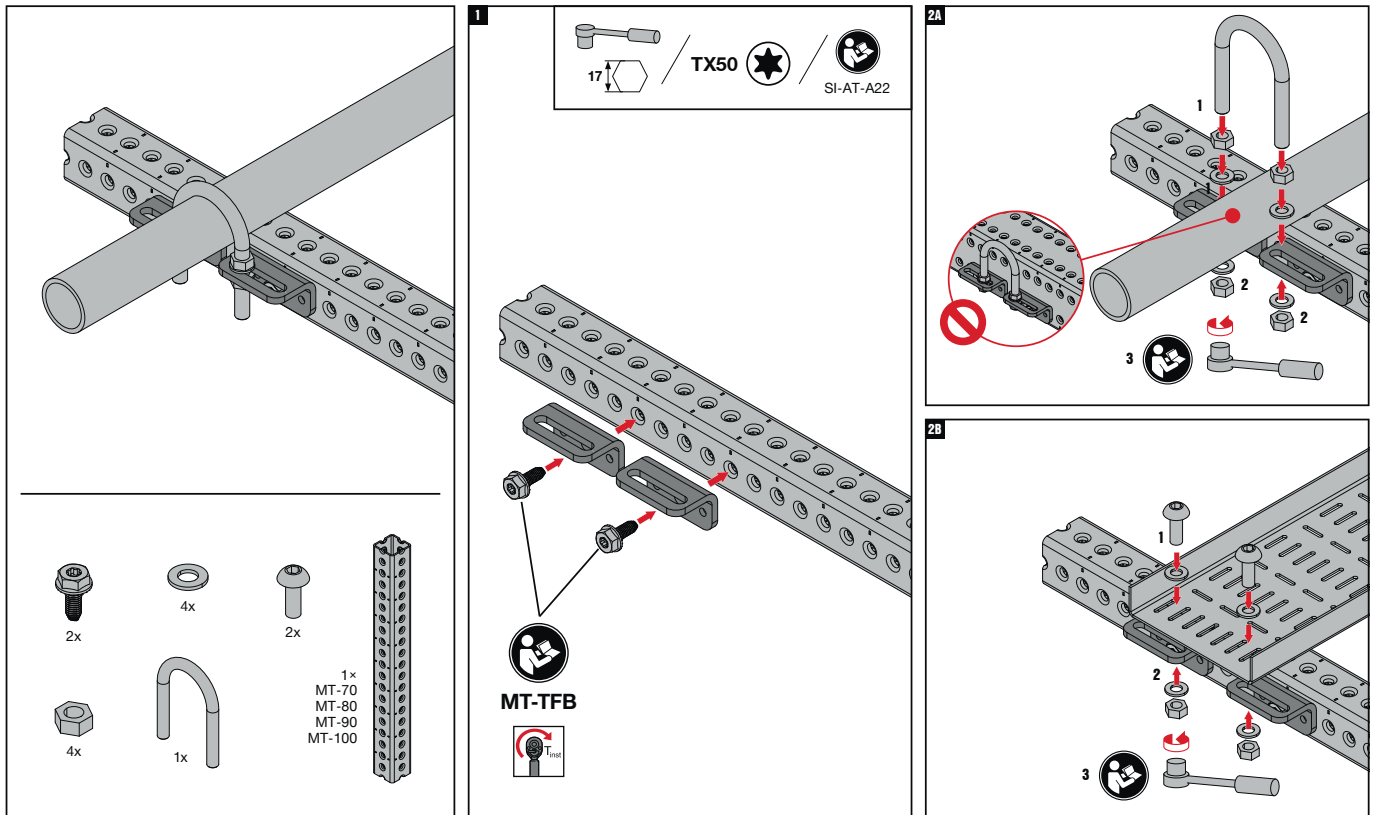
Order Designation	Technical data	Sales pack quantity	Item number	
MT-FA-G M10 3/8 OC	Outdoor, low to moderate pollution (C3 / C4 - low)	10 pc	2273681	
MT-FA-G M12 1/2 OC		10 pc	2273682	
MT-FA-G M16 5/8 OC		10 pc	2273683	
MT-FA-G M22 7/8 OC		10 pc	2273684	
MT-FA-G M24 1 OC		10 pc	2273685	

# MT Media Fixation For Closed Profiles

## U-bolt Fixation Angle - Outdoor

### Operation Instruction MT-FA-G OC

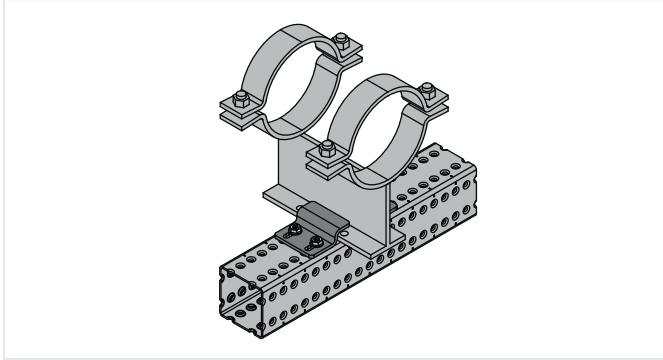
2294698-07 2020



The latest IFU (Instruction For Use) is available on Hilti Online. Please check for any revisions before installing the product.

## MT Media Fixation For Closed Profiles

### Sliding Axial Guide Pipe Shoe Fixation - Outdoor



#### Applications

- Fastening MP-PS pipe shoes to MT closed profiles restricting the movement to an axial sliding
- Recommended for use in Indoor or Outdoor with low to moderate pollution (C3)

#### Advantages

- Easier to install – slotted anchor holes to simplify pipe shoe positioning and fastening
- Adaptable – suitable for any size and configuration of Hilti MP pipe shoe
- Safer jobsites – avoid welding and drilling

#### Technical data

Material composition	S280GD+ZM300
Surface finish	Outdoor Coated - ZM

### MT-FPS-SF / SZ1 / SZ2 OC Sliding Axial Guide Pipe Shoe Fixation - Outdoor

Order Designation	Weight	Technical data	Sales pack quantity	Item number	
MT-FPS-SF OC	0,27 kg	Outdoor, low to moderate pollution (C3 / C4 - low)	8 pc	2330920	
MT-FPS-SZ1 OC	0,18 kg		12 pc	2331078	
MT-FPS-SZ2 OC	0,26 kg		10 pc	2331079	

# MT Media Fixation For Closed Profiles

## Sliding Axial Guide Pipe Shoe Fixation - Outdoor

### Operation Instruction

MT-FPS-GS OC / MT-FPS-GL OC

2334620-03.2022

**1**

MT-FPS-SF

MT-FPS-GF

	MT-TFB	MT-TFB	MT-TFB	MT-TLB
	MT-70 / MT-80 S	MT-80 / MT-90	MT-100	MT-U-GL1
MT-FPS-SF	A-D	A-D	A-D*	A
MT-FPS-GF	A	A	A*	A

	MT-FPS-GF OC	
MP-PS 1-1	ok	ok
MP-PS 2-2	ok	ok
MP-PS L4-2	-	ok
MP-PS M4-2	-	ok
MP-PS H4-2	ok	ok

\*without 1-1

**2A**

MT

MT-TFB

#		MT-FPS-SF / MT-FPS GF
MP-PS x1 - 1x	4	2 pcs
MP-PS x2 - 2x	4	2 pcs
MP-PS x4 - 2x	8	4 pcs

**2B**

MT-U-GL1

MT-U-GL1	#	#
MP-PS x1-1x	4	8
MP-PS x2-2x	4	8
MP-PS x4-2x	-	-

MT-U-GL1					
	MT-TLB OC	M10-SL OC	A 10.5/20-F	17	20 Nm (14.75 ft-lb)
	M10x25-F	M10-F	A 10.5/20-F	17	20 Nm (14.75 ft-lb)

**3**

**4**

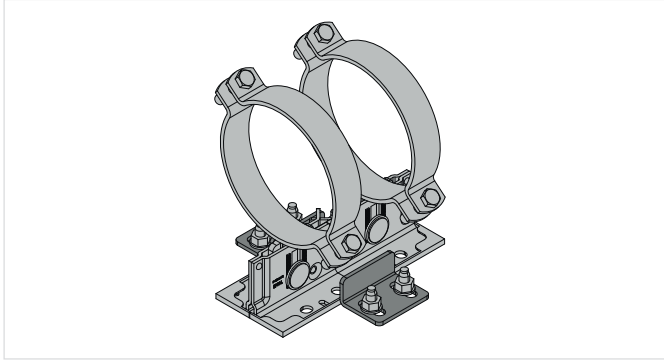
10mm

The latest IFU (Instruction For Use) is available on Hilti Online. Please check for any revisions before installing the product.



## MT Media Fixation For Closed Profiles

### Plain Guide Allowing Uplift Pipe Shoe Fixation - Outdoor



#### Applications

- Fastening MP-PS pipe shoes to MT closed profiles restricting the movement to axial sliding and vertical lifting
- Recommended for use in Indoor or Outdoor with low to moderate pollution (C3)

#### Advantages

- Easier to install – slotted anchor holes to simplify pipe shoe positioning and fastening
- Adaptable – suitable for any size of Hilti MP pipe shoe in stand-up configuration
- Safer jobsites – avoid welding and drilling

#### Technical data

Material composition	S280GD+ZM300
Surface finish	Outdoor Coated - ZM

### MT-FPS-GF / GL1 / GL2 OC Plain Guide Allowing Uplift Pipe Shoe Fixation - Outdoor

Order Designation	Weight	Technical data	Sales pack quantity	Item number	
MT-FPS-GF OC	0,30 kg	Outdoor, low to moderate pollution (C3 / C4 - low)	8 pc	2330921	
MT-FPS-GL1 OC	0,18 kg		12 pc	2331080	
MT-FPS-GL2 OC	0,26 kg		10 pc	2331081	

# MT Media Fixation For Closed Profiles

## Plain Guide Allowing Uplift Pipe Shoe Fixation - Outdoor

### Operation Instruction

MT-FPS SZx OC SET / MT-FPS GLx OC SET

2334219-08.2021

**1**

	MT-TFB	MT-TFB	MT-TFB	MT-TLB	X-BT / F-BT	HST3 / KB-TZ2
	MT-70 / MT-80 S	MT-80 / MT-90	MT-100	MT-U-GL1		
MT-FPS-SZ1	A-D	-	-	-	A-D	A-D
MT-FPS-SZ2	-	A-D	A-D	A	A-D	A-D
MT-FPS-GL1	A	-	-	-	-	-
MT-FPS-GL2	-	A	A	A	A	A

MT-FPS-GL1 MT-FPS-GL2  
MT-FPS-SZ1 MT-FPS-SZ2

**2B**

	MT-U-GL1		
MP-PS x1-1x	4	8	
MP-PS x2-2x	4	8	
MP-PS x4-2x	-	-	

	MT-TLB OC	M10-SL OCA	10.5/20-F	17	20 Nm (14.75 ft-lb)
MT-U-GL1	M10x25-F	M10-F	A 10.5/20-F	17	20 Nm (14.75 ft-lb)

**2C**

	X-BT / F-BT
MP-PS x1-1x	4
MP-PS x2-2x	4
MP-PS x4-2x	4

X-BT MR M10/ W10  
F-BT MR M10/ 3/8"

min. 20 Nm (14.75 ft-lb)

**2A**

MT  
MT-TFB

2334219-08.2021

**2D**

	HST3-M12 / KB-TZ2 1/2"
MP-PS x1-1x	4
MP-PS x2-2x	4
MP-PS x4-2x	4

HST3-M12  
HST3-R M12  
KB-TZ2 1/2"  
KB-TZ2 1/2" SS304  
KB-TZ2 1/2" SS316

**3**

!  $\leq 2\text{mm} / 5/64"$

	MT-FPS SZx / MT-FPS-GLx
MP-PS x1-1x	2 pcs
MP-PS x2-2x	2 pcs
MP-PS x4-2x	2 pcs

**4**

The latest IFU (Instruction For Use) is available on Hilti Online. Please check for any revisions before installing the product.

# MT Media Fixation For Closed Profiles

## Plain Guide Allowing Uplift Pipe Shoe Fixation - Outdoor

### Operation Instruction

MT-FPS SF OC SET / MT-FPS GF OC SET

2334620-03.2022

**1**

	MT-TFB	MT-TFB	MT-TFB	MT-TLB		
	MT-70 / MT-80 S	MT-80 / MT-90	MT-100	MT-U-GL1		
MT-FPS-SF	A-D	A-D	A-D'	A	MP-PS 1-1	ok
MT-FPS-GF	A	A	A'	A	MP-PS 2-2	ok
					MP-PS L4-2	ok
					MP-PS M4-2	ok
					MP-PS H4-2	ok

**2A**

#	MP-PS	MT-FPS-SF / MT-FPS GF
MP-PS x1 - 1x	4	2 pcs
MP-PS x2 - 2x	4	2 pcs
MP-PS x4 - 2x	8	4 pcs

**2B**

MT-U-GL1	MP-PS	#
	MP-PS x1-1x	4 8
	MP-PS x2-2x	4 8
	MP-PS x4-2x	- -

MT-U-GL1	MT-TLB OC	M10-SL OC	A 10.5/20-F	17	20 Nm (14.75 ft-lb)
	M10x25-F	M10-F	A 10.5/20-F	17	20 Nm (14.75 ft-lb)

**3**

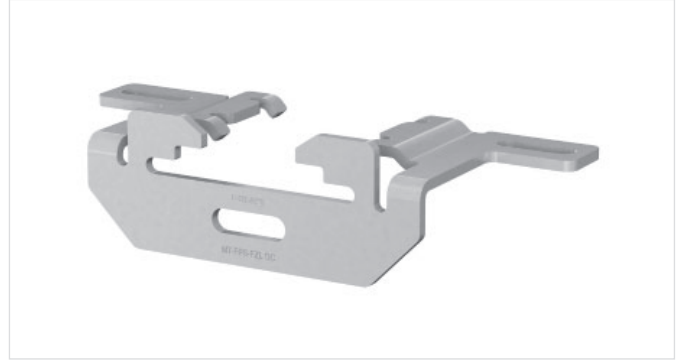
**4**

The latest IFU (Instruction For Use) is available on Hilti Online. Please check for any revisions before installing the product.

**MT Media Fixation For Closed Profiles**

Fixed point Pipe Shoe Fixation - Outdoor

6



**Applications**

- Installing fixed points with MP-PS pipe shoes on Hilti MT modular closed profiles
- Recommended for use in Indoor or Outdoor with low to moderate pollution (C3)

**Advantages**

- One-step installation – easy and quick fastening using Hilti MT thread-forming bolts
- Simpler method – suitable for single pipe clamp pipe shoes in combination with 100 or 150mm wide MT modular closed profiles
- Safer jobsites – avoid welding and drilling

**Technical data**

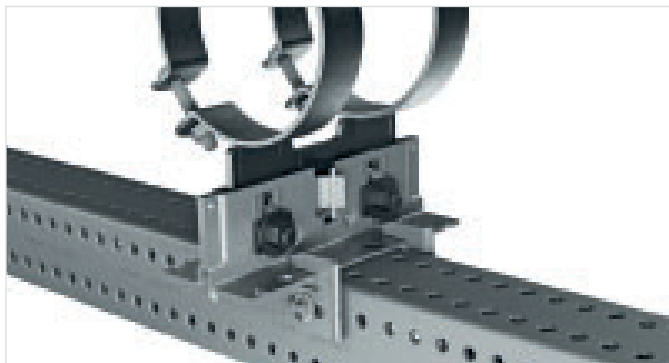
Material composition	S235JR - Yield280
Surface finish	Outdoor Coated - HDG

**MT-FPS-FZL OC Fixed Point Pipe Shoe Fixation - Outdoor**

Order Designation	Weight	Technical data	Sales pack quantity	Item number	
MT-FPS-FZL OC	0,60 kg	Outdoor, low to moderate pollution (C3 / C4 - low)	2 pc	2331077	

## MT Media Fixation For Closed Profiles

### Fixed point Pipe Shoe Fixation - Outdoor



#### Applications

- Installing fixed points with MP-PS pipe shoes on Hilti MT modular closed profiles
- Recommended for use in Indoor or Outdoor with low to moderate pollution (C3)

#### Technical data

Material composition	S280GD+ZM300
Surface finish	Outdoor Coated - ZM

#### Advantages

- One-step installation – quicker and easier fastening using Hilti MT thread-forming bolts
- Simpler method – suitable for all double pipe clamp pipe shoes in combination with all available MT modular closed profiles
- Safer jobsites – avoid welding and drilling

### MT-FPS-FF OC Fixed Point Pipe Shoe Fixation - Outdoor

Order Designation	Weight	Technical data	Sales pack quantity	Item number	
MT-FPS-FF OC	0,27 kg	Outdoor, low to moderate pollution (C3 / C4 - low)	8 pc	2331076	

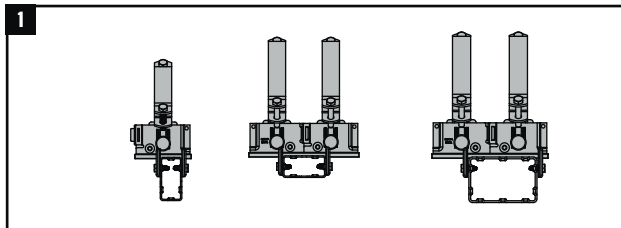
# MT Media Fixation For Closed Profiles

## Fixed point Pipe Shoe Fixation - Outdoor

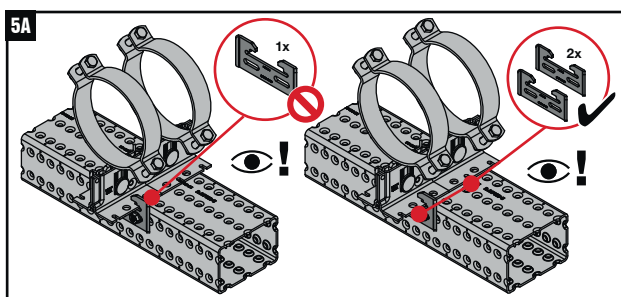
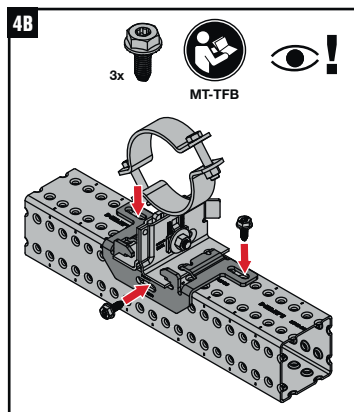
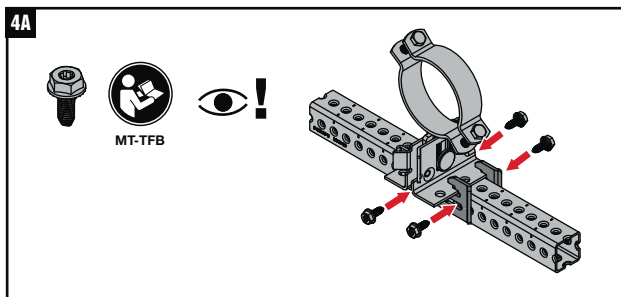
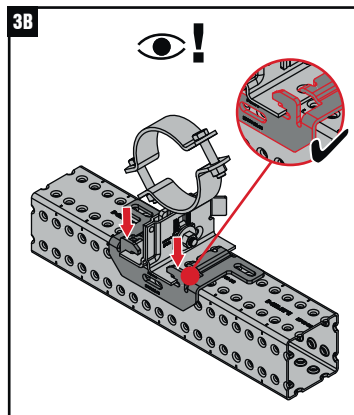
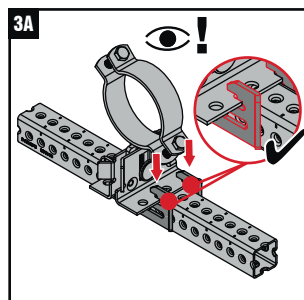
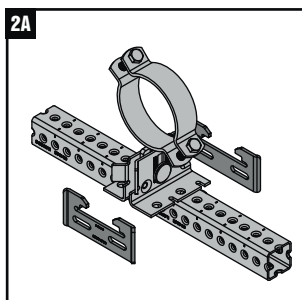
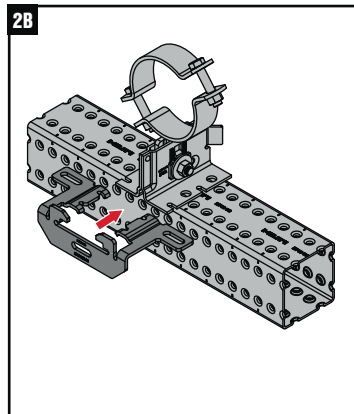
### Operation Instruction

#### MT-FPS FZL OC / MT-FPS FF OC SET

2334481-08.2021



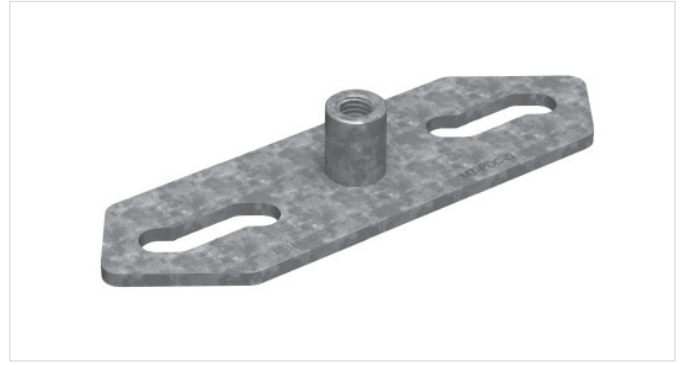
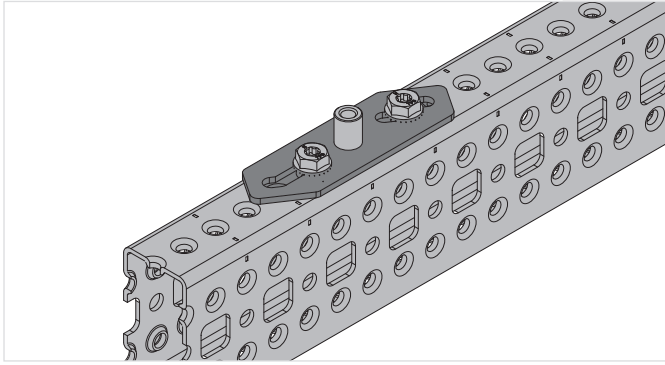
	MT-70 / MT-80 S	MT-80 / MT-90 / MT-100 S	MT-100
MP-PS x1-1x	2x MT-FPS FF OC	1x MT-FPS FZL OC	1x MT-FPS FZL OC
MP-PS x2-2x	2x MT-FPS FF OC	2x MT-FPS FF OC	2x MT-FPS FF OC + 4x A 10.5x30-F
MP-PS x4-2x	-	4x MT-FPS FF OC	4x MT-FPS FF OC + 8x A 10.5x30-F



The latest IFU (Instruction For Use) is available on Hilti Online. Please check for any revisions before installing the product.

## MT Media Fixation For Closed Profiles

### Pipe Connection Plate - Outdoor



#### Applications

- Connecting pipe clamps directly to MT-70, MT-80, MT-90 and MT-100 closed profiles
- Mounting medium/heavy-load pipes on trapeze
- Mounting medium/heavy-load pipes on wall brackets

#### Advantages

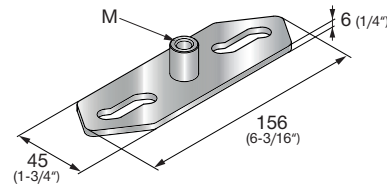
- Faster pipe clamp installation – attach a pipe clamp using just two thread forming bolts and an impact wrench with the Adaptive Torque module
- Full adjustability – easily install pipe clamps in the right position from M8 to M16
- Corrosion resistance – hot-dip galvanized to help protect against moisture and chemical corrosion

#### Technical data

Material composition	Q355 or better steel
Surface finish	Outdoor Coated - HDG

### MT-PCC-G M8/M10 / M12 / M16 OC Pipe Connection Plate - Outdoor

Order Designation	Weight	Technical data	Sales pack quantity	Item number
MT-PCC-G M8/M10 OC	134 g	Outdoor, low to moderate pollution (C3 / C4 - low)	10 pc	2353801
MT-PCC-G M12 OC	189 g		10 pc	2354564
MT-PCC-G M16 OC	152 g		10 pc	2354155



# MT Media Fixation For Closed Profiles

## Pipe Connection Plate - Outdoor

6

### Operation Instruction

#### MT-PCC-G OC

2359997-03.2022

**A**

MT-70 /  
MT-80

**B**

MT-90 /  
MT-100

**A/B**

2x  
MT-TFB

1x  
MQZ-A 1/2"-F /  
MQZ-A 3/4"-F /  
MQZ-A 1"-F

**A1**

MT-TFB

**A/B**

M8	MT-PCC-G M8/M10 OC	-
M10		-
M12	MT-PCC-G M12 OC	-
M16		-
1/2"	MT-PCC-G M16 OC	MQZ-A 1/2"-F
3/4"		MQZ-A 3/4"-F
1"		MQZ-A 1"-F

**A**

25mm

**B1**

MT-TFB

**A/B**

MQZ-A 1/2"-F /  
MQZ-A 3/4"-F /  
MQZ-A 1"-F

**B**

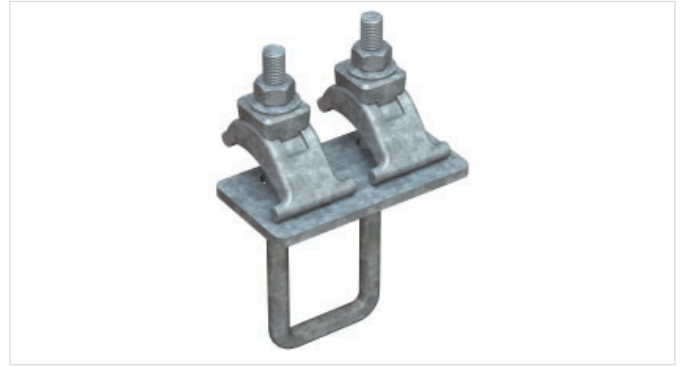
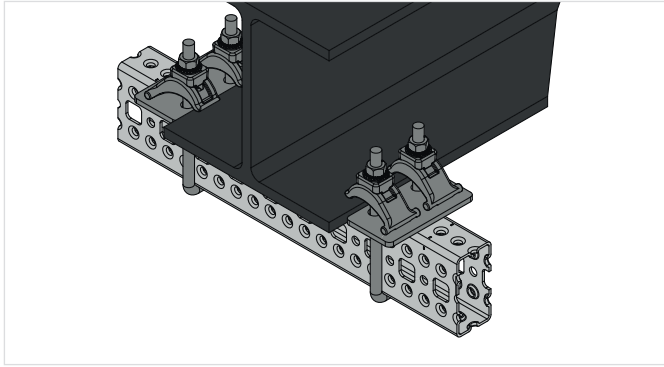
25mm

The latest IFU (Instruction For Use) is available on Hilti Online. Please check for any revisions before installing the product.



## MT Closed Profiles Base Material Connectors

### Beam Clamp Connections To Steel - Outdoor



7

#### Applications

- Mounting MT-70 and MT-80 girders on structural steel
- Suitable for use in moderately corrosive environments

#### Technical data

Material composition	Q235 or better steel
Surface finish	Outdoor Coated - HDG

#### Advantages

- Part of the Hilti MT system – an economical, all-in-one solution for virtually all modular MEP support structures
- No drilling or hot works – fasten modular girders to structural steel without anchoring or welding
- Extensive software support – PROFIS Modular Support Engineering, the MEP Support Selector, Revit® families, and plug-ins for Staad Pro® and Smart 3D® are all available to streamline design and ordering

### MT-BC-GS T OC Beam Clamp - Outdoor

Order Designation	Weight	Technical data	Sales pack quantity	Item number	
MT-BC-GS T OC	1275 g	Outdoor, low to moderate pollution (C3 / C4 - low)	12 pc	2273587	

### MT-BC-GXL T OC Beam Clamp - Outdoor

Order Designation	Weight	Technical data	Sales pack quantity	Item number	
MT-BC-GXL T OC	2116 g	Outdoor, low to moderate pollution (C3 / C4 - low)	10 pc	2273589	

## MT Closed Profiles Base Material Connectors

### Beam Clamp Connections To Steel - Outdoor

#### Technical data Beam Clamp

Item image	Load drawing	Order Designation	+ Fz	- Fz	± Fx	± Fy
		MT-BC-GS T	15,0 kN	15,0 kN	3,6 kN	2,5 kN
		MT-BC-GXL T	30,0 kN	30,0 kN	5,0 kN	6,0 kN

#### Design note

- Shown load values are recommended values with partial safety factors for actions and resistance included
- Design value = 1.5 \* recommended value
- The design resistance of the products is defined in accordance with EN1993
- Load values are only valid per pair.

#### Operation Instruction

##### MT-BC-GS T OC / MT-BC-GXL T OC

2298185-09.2020

MT-70 MT-80	MT-BC-GS T
MT-90 MT-100	MT-BC-GXL T

**1**

**2**

**3**

**4**

MT-BC-GS T	MT-70 MT-80	40Nm (30 ft-lb) 40Nm (30 ft-lb)
MT-BC-GXL T	MT-90 MT-100	100Nm (73 ft-lb) 120Nm (82 ft-lb)

The latest IFU (Instruction For Use) is available on Hilti Online. Please check for any revisions before installing the product.

## MT Profile End Caps

### Open C-channels (Struts)



#### Applications

- Protecting strut channel edges from damage during storage and transport
- Covering any sharp edges left after cutting to size

#### Advantages

- Part of the Hilti MT system – an economical, all-in-one solution for virtually all modular MEP support structures
- Safer handling – protects installers from sharp edges which may be left after cutting the strut channel
- Improved durability – helps to prevent deformed edges during storage and transport around the construction site

#### Technical data

Material composition	PPB-M02
Surface finish	n/a

### MT-EC-20 Channel End Cap

Order Designation	Weight	Sales pack quantity	Item number	
MT-EC-20	3 g	50 pc	2282197	

### MT-EC-30 Channel End Cap

Order Designation	Weight	Sales pack quantity	Item number	
MT-EC-30	4 g	50 pc	2273642	

## MT Profile End Caps

### Open C-channels (Struts)

#### MT-EC-40/50 Channel End Cap

Order Designation	Weight	Sales pack quantity	Item number	
MT-EC-40/50	6 g	50 pc	2273643	

#### MT-EC-60 Channel End Cap

Order Designation	Weight	Sales pack quantity	Item number	
MT-EC-60	9 g	50 pc	2273644	

## MT Profile End Caps

### Closed Profiles



#### Applications

- Protecting MT-Closed profile edges from damage during storage and transport
- Covering any sharp edges left after cutting to size

#### Advantages

- Part of the Hilti MT system – an economical, all-in-one solution for virtually all modular MEP support structures
- Safer handling – protects installers from sharp edges which may be left after cutting the strut channel
- Improved durability – helps to prevent deformed edges during storage and transport around the construction site

#### Technical data

Material composition	PPB-M02
Surface finish	n/a

### MT-EC-70 Closed Profile End Cap

Order Designation	Weight	Sales pack quantity	Item number	
MT-EC-70	8 g	50 pc	2273697	

### MT-EC-80 Closed Profile End Cap

Order Designation	Weight	Sales pack quantity	Item number	
MT-EC-80	17 g	25 pc	2273698	

## MT Profile End Caps

### Closed Profiles

7

#### MT-EC-90 Closed Profile End Cap

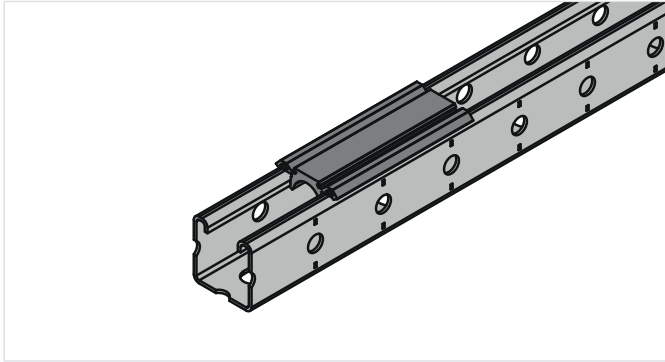
Order designation	Weight	Sales pack Quantity	Item number	
MT-EC-90	31 g	25 pc	2273699	

#### MT-EC-100 Closed Profile End Cap

Order designation	Weight	Sales pack Quantity	Item number	
MT-EC-100	45 g	25 pc	2273700	

## MT Profile Rubber Inlays

### Open C-channels (Struts)



7

#### Applications

- Acoustic insulation of heating, ventilation, and air conditioning installations, such as rectangular air ducts

#### Technical data

Material composition	EPDM
Surface finish	n/a

#### Advantages

- Improve acoustic insulation of HVAC installations – these inlays can deliver a significant noise reduction
- Easy to install – simply click into MT strut channels, no additional fasteners required. Can also be installed from the back of the open channels

## MT-RI Rubber Inlay

Order Designation	Weight	Sales pack quantity	Item number	
MT-RI 20 m	6924 g	1 pc	2337452	
MT-RI 10 cm	35 g	100 pc	2337453	
MT-RI 2 cm	7 g	100 pc	2337454	

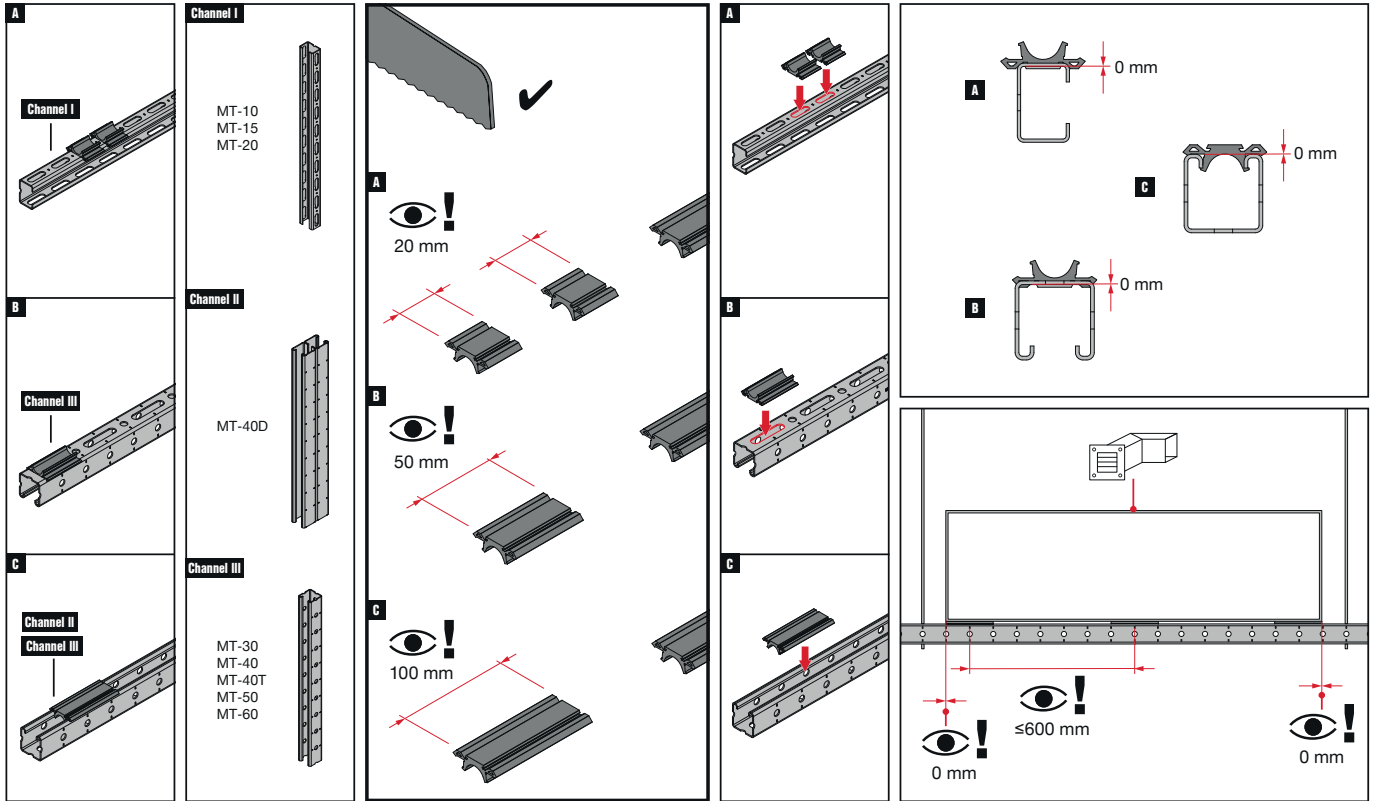
**MT Profile Rubber Inlays**

Open C-channels (Struts)

7

**Operation Instruction**  
MT-RI

2348181-12.2021

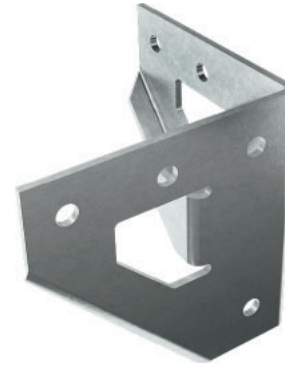


The latest IFU (Instruction For Use) is available on Hilti Online. Please check for any revisions before installing the product.



## MT-C-T 3D/2/HL OC Connector - Outdoor

3D connector for assembling rigid strut channel structures for outdoor use with low pollution



### Applications

- Installing ventilation equipment, ducts, pipework and cable trays on flat roofs
- Suitable for use in outdoor environments

### Advantages

- Part of the Hilti MT system – an economical, all-in-one solution for virtually all modular MEP support structures
- Easy to install – compatible with the Hilti MT Twist-Lock and hexagon bolts
- Provides rigidity to free standing structures
- Allows bracing to be removed

### Technical data

Material composition	S235JR
Surface finish	Outdoor Coated - HDG

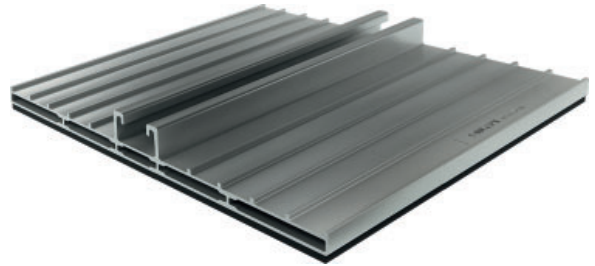
## MT-C-T 3D/2/HL Connector - Outdoor

Order Designation	Technical data	Sales pack quantity	Item number	
MT-C-T 3D/2/HL OC	Outdoor, low to moderate pollution (C3 / C4 - low)	8 pc	2320181	

## MT-B-LDP ME Load distribution plate

Medium load distribution plate for installing ventilation ducts and ventilation equipment on flat roofs

8



### Applications

- Installing ventilation equipment, ducts, pipework, cable trays on flat roofs
- Suitable for use in outdoor environments

### Technical data

Material composition	Aluminium, EPDM rubber
Surface finish	n/a

### Advantages

- Part of the Hilti MT system – an economical, all-in-one solution for rooftop ventilation and other modular support systems
- Easier to handle and transport compared to pre-fabricated welded steel
- Includes a non-slip anti-vibration mat
- Suitable for outdoor applications, with features such as aluminum feet for better weather resistance

## MT-B-LDP ME Load distribution plate

Order Designation	Technical data	Sales pack quantity	Item number	
MT-B-LDP ME	Outdoor, low to moderate pollution (C3 / C4 - low)	1 pc	2328319	

## MT-B-LDP S Load distribution plate

Small load distribution plate for installing ventilation ducts, pipework or cable trays on flat roofs



### Applications

- Installing ventilation ducts, pipework and cable trays on flat roofs
- Suitable for use in outdoor environments

### Technical data

Material composition	Aluminium, EPDM rubber
Surface finish	n/a

### Advantages

- Part of the Hilti MT system – an economical, all-in-one solution for rooftop ventilation and other modular support systems
- Easier to handle and transport compared to pre-fabricated welded steel
- Includes a non-slip anti-vibration mat
- Suitable for outdoor applications, with features such as aluminum feet for better weather resistance

## MT-B-LDP S Load distribution plate

Order Designation	Technical data	Sales pack quantity	Item number	
MT-B-LDP S	Outdoor, low to moderate pollution (C3 / C4 - low)	2 pc	2320182	

## MT-C-LDP L1 OC Angle Connector - Outdoor

Angle connector for assembling strut channels structure or channel with Load Distribution Plate, for outdoor use with low pollution

8



### Applications

- Fastening connections between two strut channels or one channel and Load Distribution Plate
- Perfectly suitable for outdoor applications

### Advantages

- Part of the Hilti MT system – an economical, all-in-one solution for virtually all modular MEP support structures
- Vertical channel can be inclined up to 7-degrees for compensation of roof pitch
- Connector with channel can be inclined up to 10-degrees for compensation of roof pitch

### Technical data

Material composition	Q235 or better steel
Surface finish	Outdoor Coated - HDG

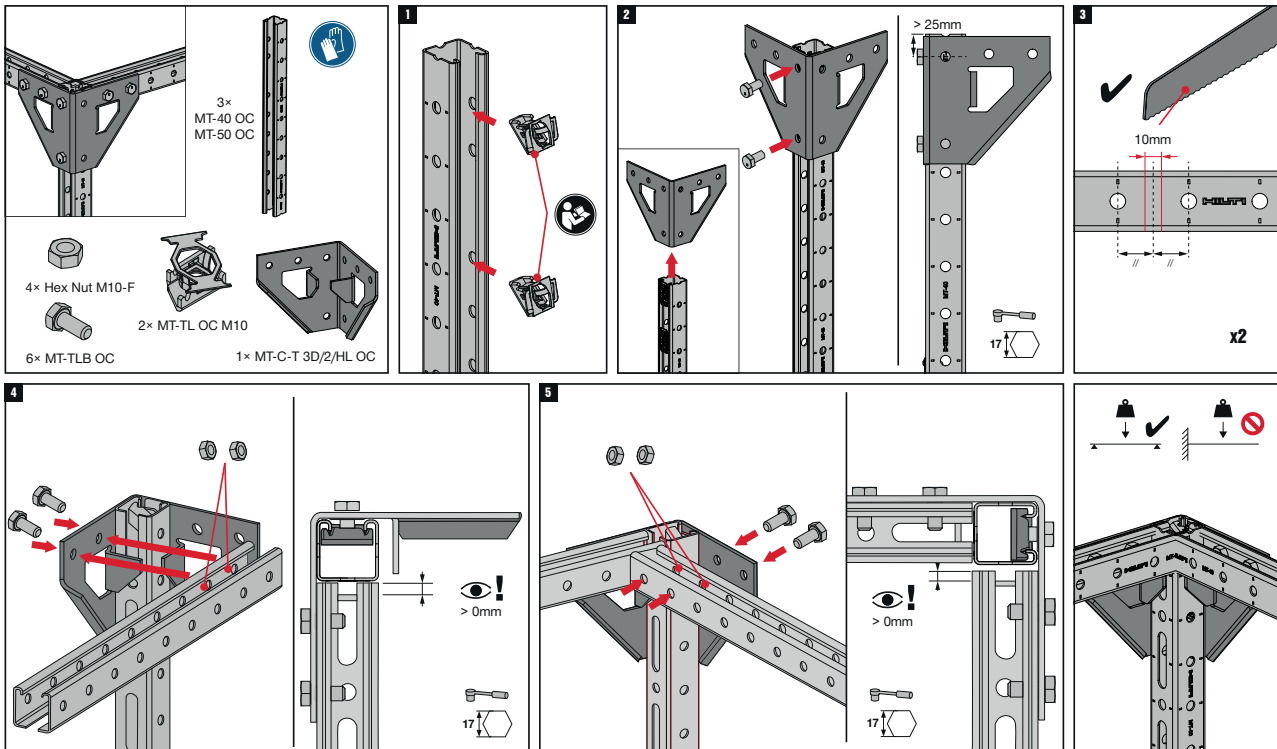
## MT-C-LDP L1 OC Angle Connector - Outdoor

Order Designation	Technical data	Sales pack quantity	Item number	
MT-C-LDP L1 OC	Outdoor, low to moderate pollution (C3 / C4 - low)	8 pc	2320180	

# MT-C-T 3D/2/HL OC Connector - Outdoor

## Operation instruction MT-C-T 3D/2/HL OC

2321403-03.2021

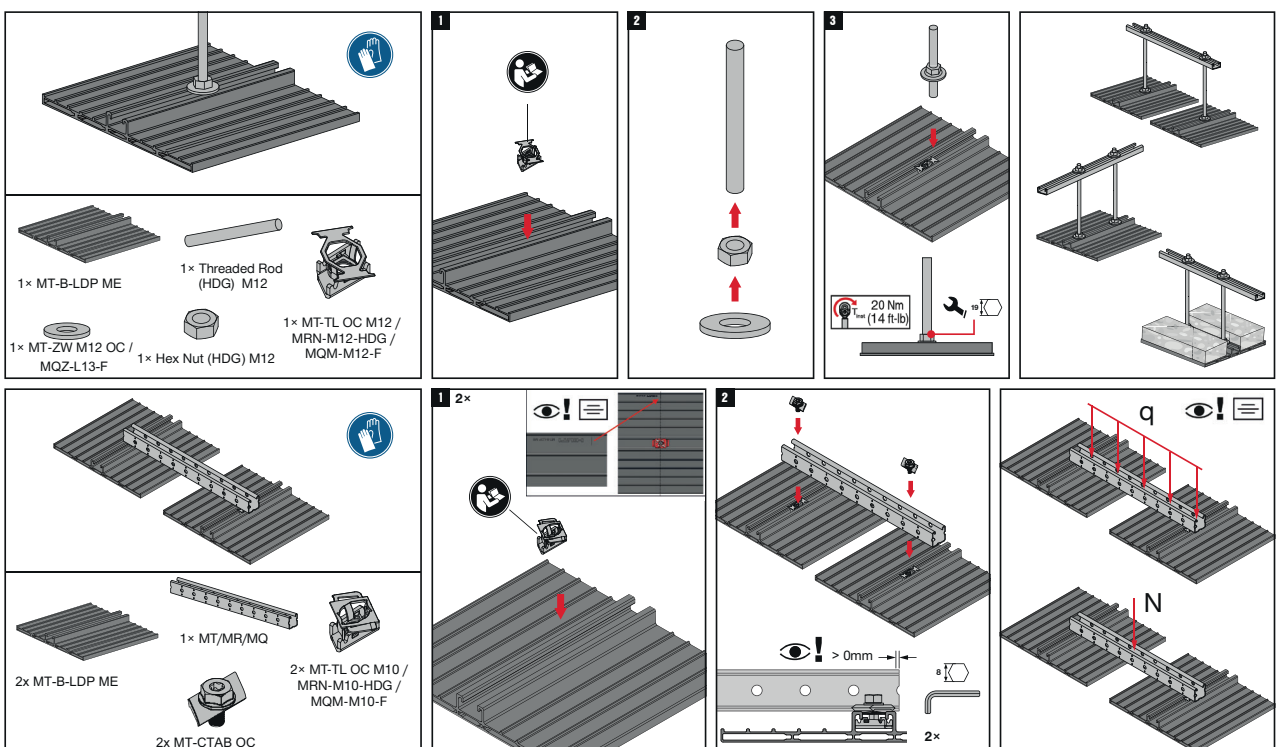


The latest IFU (Instruction For Use) is available on Hilti Online. Please check for any revisions before installing the product.

# MT-B-LDP ME Load distribution plate

## Operation instruction MT-B-LDP ME

2330200-06.2021

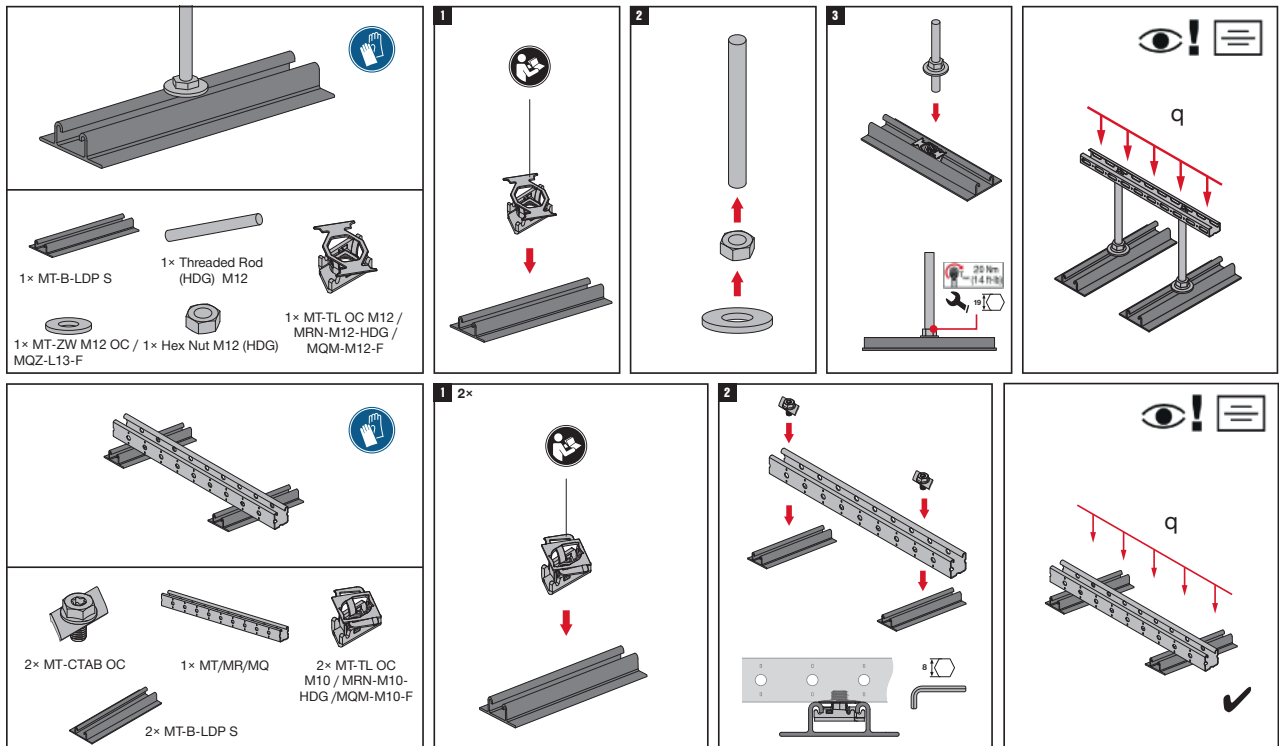


The latest IFU (Instruction For Use) is available on Hilti Online. Please check for any revisions before installing the product.

## MT-B-LDP S Load distribution plate

### Operation instruction MT-B-LDP S

2321404-06.2021

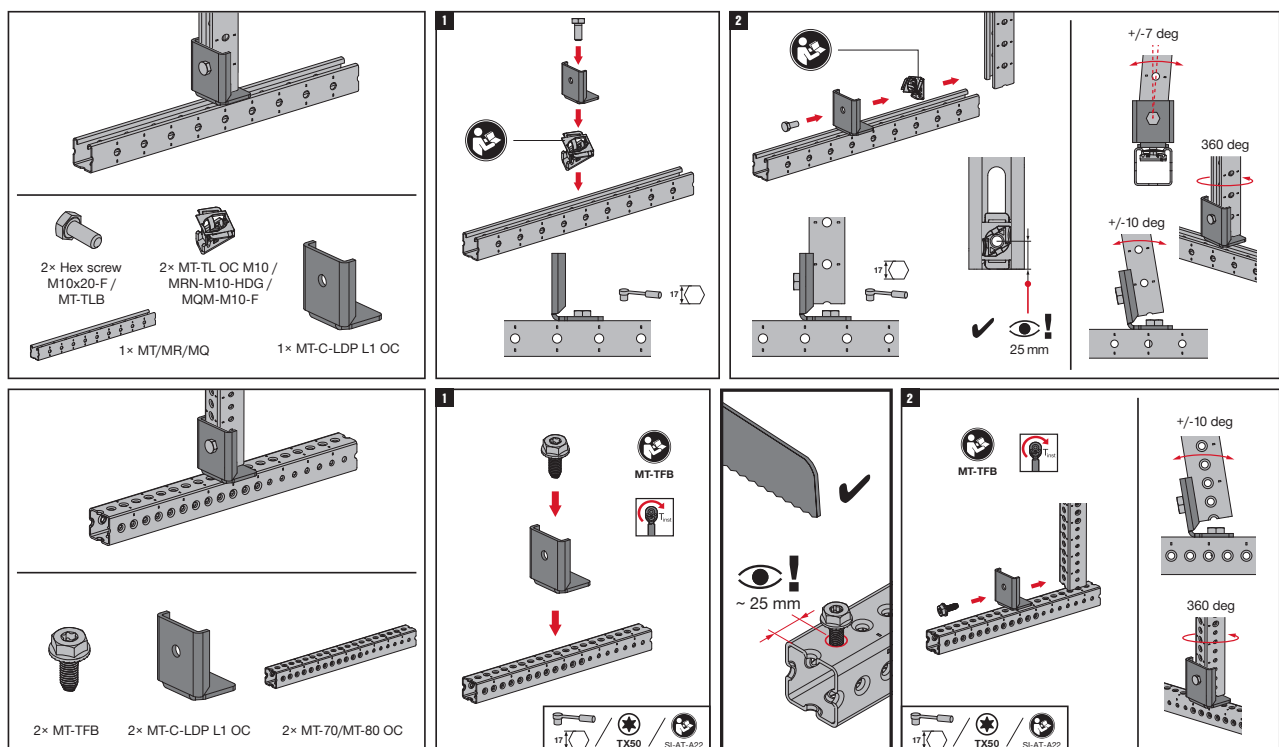


The latest IFU (Instruction For Use) is available on Hilti Online. Please check for any revisions before installing the product.

## MT-C-LDP L1 OC Angle Connector - Outdoor

### Operation instruction MT-C-LDP L1 OC

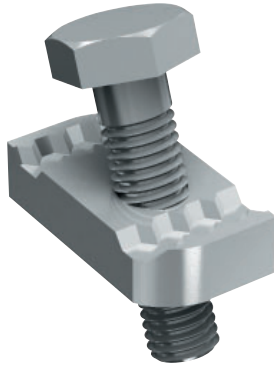
2321402-02.2021



The latest IFU (Instruction For Use) is available on Hilti Online. Please check for any revisions before installing the product.

## MT-S-RS Rod stiffener

Pre-assembled connector for fastening strut channel around threaded rod to provide seismic bracing



### Applications

- Fixing threaded rod lengthwise within MT strut channels
- Increasing the compressive strength of threaded rod for use as seismic bracing in MEP support structures
- Suitable for use in dry, indoor environments

### Advantages

- Part of the Hilti MT system – an economical, all-in-one solution for virtually all modular MEP support structures
- Increasing the compressive strength of threaded rod for use as seismic bracing in MEP support structures
- Adaptable – unlike welding, modular rod stiffeners allow you to modify strut channel framing for future MEP requirements

### Technical data

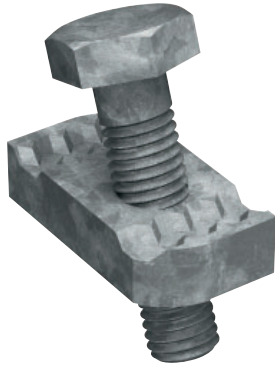
Material composition	Q235 or better steel
Surface finish	Pre-galvanized - for dry indoor use only

## MT-S-RS Rod stiffener

Order Designation	Technical data	Sales pack quantity	Item number	
MT-S-RS	Dry indoor conditions (C1) Indoor with temporary condensation (C2)	25 pc	2282198	

## MT-S-RS OC Rod stiffener - Outdoor

Pre-assembled connector for fastening strut channel around threaded rod to provide seismic bracing



9

### Applications

- Fixing threaded rod lengthwise within MT strut channels
- Increasing the compressive strength of threaded rod for use as seismic bracing in MEP support structures
- Suitable for use in moderately corrosive environments

### Advantages

- Part of the Hilti MT system – an economical, all-in-one solution for virtually all modular MEP support structures
- Increasing the compressive strength of threaded rod for use as seismic bracing in MEP support structures
- Adaptable – unlike welding, modular rod stiffeners allow you to modify strut channel framing for future MEP requirements

### Technical data

Material composition	Q235 or better steel
Surface finish	Hot-dip galvanized - for outdoor use

## MT-S-RS Rod stiffener

Order Designation	Technical data	Sales pack quantity	Item number	
MT-S-RS OC	Outdoor, low to moderate pollution (C3 / C4 - low)	25 pc	2273584	



## MT-S-H1 Seismic Brace Base

One-hole hinged connector for assembling seismic bracing of MT strut channel framing



### Applications

- Seismic bracing of strut channel framing
- Anchoring strut channel brace members to concrete for use as seismic bracing
- Connecting strut channel brace members to MT-S-L seismic angle brackets for use as seismic bracing
- Suitable for use in dry, indoor environments

### Advantages

- Part of the Hilti MT system – an economical, all-in-one solution for virtually all modular MEP support structures
- Easy to install – pivoting joint simplifies assembly and fastening
- Engineering and calculation service available – your local Hilti Engineers can provide advice and calculation services on more complex projects

### Technical data

Material composition	Q355 or better steel
Surface finish	Pre-galvanized - for dry indoor use only

## MT-S-H1 Seismic Brace Base

Order Designation	Technical data	Sales pack quantity	Item number	
MT-S-H1 M10	Dry indoor conditions (C1) Indoor with temporary condensation (C2)	10 pc	2273645	
MT-S-H1 M12		10 pc	2273646	

## MT-S-H1 OC Seismic Brace Base - Outdoor

One-hole hinged connector for assembling seismic bracing of MT strut channel framing



9

### Applications

- Seismic bracing of strut channel framing
- Anchoring strut channel brace members to concrete for use as seismic bracing
- Connecting strut channel brace members to MT-S-L seismic angle brackets for use as seismic bracing
- Suitable for use in moderately corrosive environments

### Advantages

- Part of the Hilti MT system – an economical, all-in-one solution for virtually all modular MEP support structures
- Easy to install – pivoting joint simplifies assembly and fastening
- Engineering and calculation service available – your local Hilti Engineers can provide advice and calculation services on more complex projects
- Corrosion resistant – hot-dip galvanized to help protect against moisture and chemical corrosion

### Technical data

Material composition	Q355 or better steel
Surface finish	Hot-dip galvanized - for outdoor use

## MT-S-H1 OC Seismic Brace Base - Outdoor

Order Designation	Technical data	Sales pack quantity	Item number	
MT-S-H1 M10 OC	Outdoor, low to moderate pollution (C3 / C4 - low)	10 pc	2282199	
MT-S-H1 M12 OC		10 pc	2282200	

## MT-S-H2 Seismic Brace Base

Two-hole hinged connector for assembling seismic bracing of MT strut channel framing



### Applications

- Seismic bracing of strut channel framing
- Anchoring strut channel brace members to concrete for use as seismic bracing
- Connecting strut channel brace members to MT-S-L seismic angle brackets for use as seismic bracing
- Suitable for use in dry, indoor environments

### Advantages

- Part of the Hilti MT system – an economical, all-in-one solution for virtually all modular MEP support structures
- Easy to install – pivoting joint simplifies assembly and fastening
- Engineering and calculation service available – your local Hilti Engineers can provide advice and calculation services on more complex projects

### Technical data

Material composition	Q355 or better steel
Surface finish	Pre-galvanized - for dry indoor use only

## MT-S-H2 Seismic Brace Base

Order Designation	Technical data	Sales pack quantity	Item number	
MT-S-H2 M10	Dry indoor conditions (C1) Indoor with temporary condensation (C2)	10 pc	2273647	
MT-S-H2 M12		10 pc	2273648	

## MT-S-H2 OC Seismic Brace Base - Outdoor

Two-hole hinged connector for assembling seismic bracing of MT strut channel framing



9

### Applications

- Seismic bracing of strut channel framing
- Anchoring strut channel brace members to concrete for use as seismic bracing
- Connecting strut channel brace members to MT-S-L seismic angle brackets for use as seismic bracing
- Suitable for use in moderately corrosive environments

### Advantages

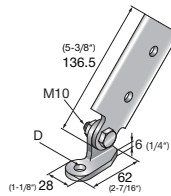
- Part of the Hilti MT system – an economical, all-in-one solution for virtually all modular MEP support structures
- Easy to install – pivoting joint simplifies assembly and fastening
- Engineering and calculation service available – your local Hilti Engineers can provide advice and calculation services on more complex projects
- Corrosion resistant – hot-dip galvanized to help protect against moisture and chemical corrosion

### Technical data

Material composition	Q355 or better steel
Surface finish	Hot-dip galvanized - for outdoor use

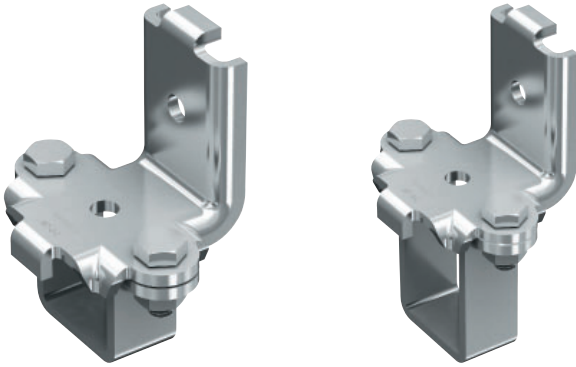
## MT-S-H2 OC Seismic Brace Base - Outdoor

Order Designation	Technical data	Sales pack quantity	Item number
MT-S-H2 M10 OC	Outdoor, low to moderate pollution (C3 / C4 - low)	10 pc	2282201
MT-S-H2 M12 OC		10 pc	2282202



## MT-S-L Seismic angle bracket

Angle bracket for assembling braced MT strut channel structures in seismic zones



### Applications

- Right-angle connections between MT-40, MT-60 strut channels & MT-40D double strut channels with connection to seismic bracing
- Assembling metal framing for MEP support structures in seismic zones
- Suitable for use in dry, indoor environments

### Advantages

- Part of the Hilti MT system – an economical, all-in-one solution for virtually all modular MEP support structures
- Easy to install – compatible with the Hilti MT Twist-Lock, a faster alternative to spring nuts for assembling a modular support system
- Winged angle connector – includes connection points to MT-S-H1 and MT-S-H2
- Adaptable – unlike welding, seismic brackets allow you to modify strut channel framing for future MEP requirements

### Technical data

Material composition	Q235 or better steel
Surface finish	Pre-galvanized - for dry indoor use only

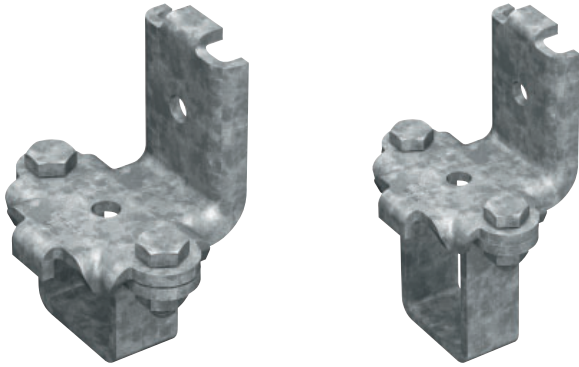
## MT-S-L Seismic angle bracket

Order Designation	Technical data	Sales pack quantity	Item number	
MT-S-L 40-50	Dry indoor conditions (C1) Indoor with temporary condensation (C2)	10 pc	2273649	
MT-S-L 60		10 pc	2273650	
MT-S-L 40D		10 pc	2273651	

## MT-S-L OC Seismic angle bracket - Outdoor

Angle bracket for assembling braced MT strut channel structures in seismic zones

9



### Applications

- Right-angle connections between MT-40, MT-60 strut channels & MT-40D double strut channels with connection to seismic bracing
- Assembling metal framing for MEP support structures in seismic zones
- Suitable for use in moderately corrosive environments

### Advantages

- Part of the Hilti MT system – an economical, all-in-one solution for virtually all modular MEP support structures
- Easy to install – compatible with the Hilti MT Twist-Lock, a faster alternative to spring nuts for assembling a modular support system
- Adaptable – unlike welding, seismic brackets allow you to modify strut channel framing for future MEP requirements
- Engineering and calculation service available – your local Hilti Engineers can provide advice and calculation services on more complex projects

### Technical data

Material composition	Q235 or better steel
Surface finish	Hot-dip galvanized - for outdoor use

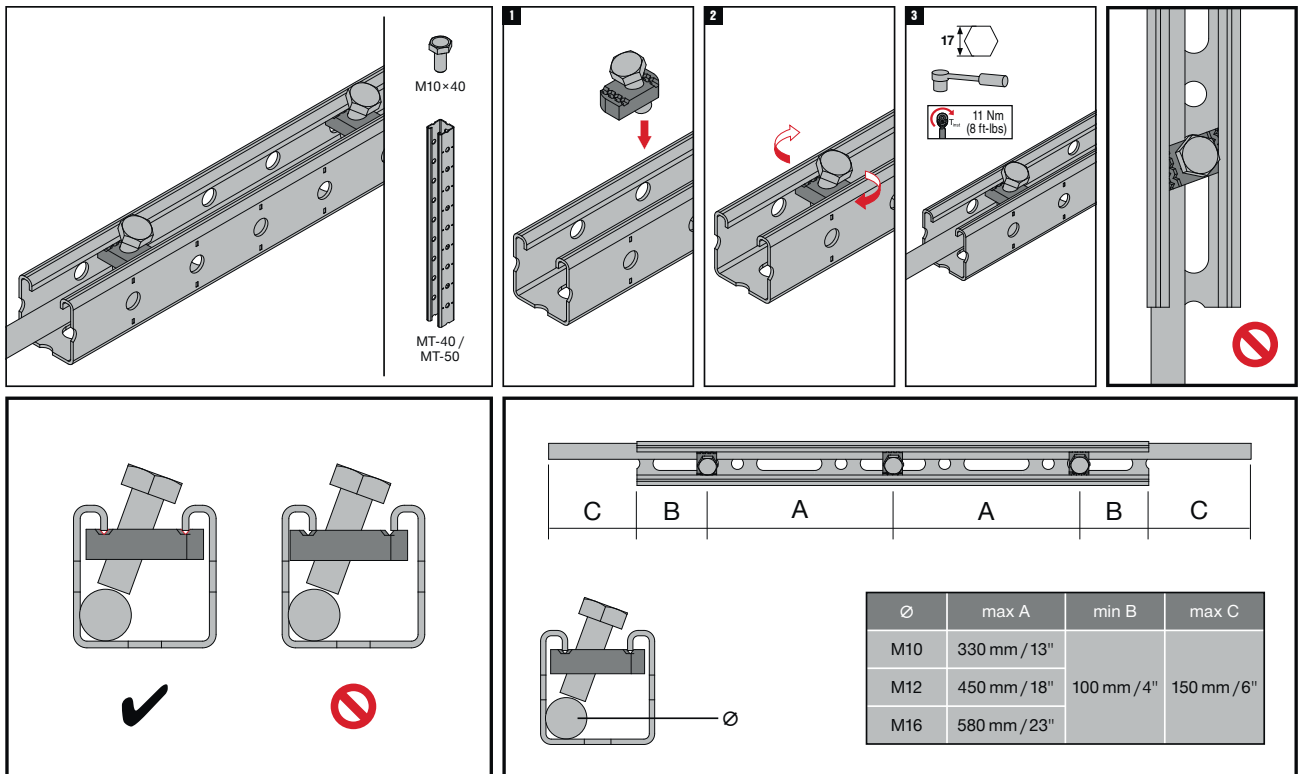
## MT-S-L OC Seismic angle bracket - Outdoor

Order Designation	Technical data	Sales pack quantity	Item number	
MT-S-L 40-50 OC	Outdoor, low to moderate pollution (C3 / C4 - low)	10 pc	2282203	
MT-S-L 60 OC		10 pc	2282204	
MT-S-L 40D OC		10 pc	2282205	

## MT-S-RS Rod stiffener

### Operation instruction MT-S-RS / MT-S-RS OC

2294624-08.2020

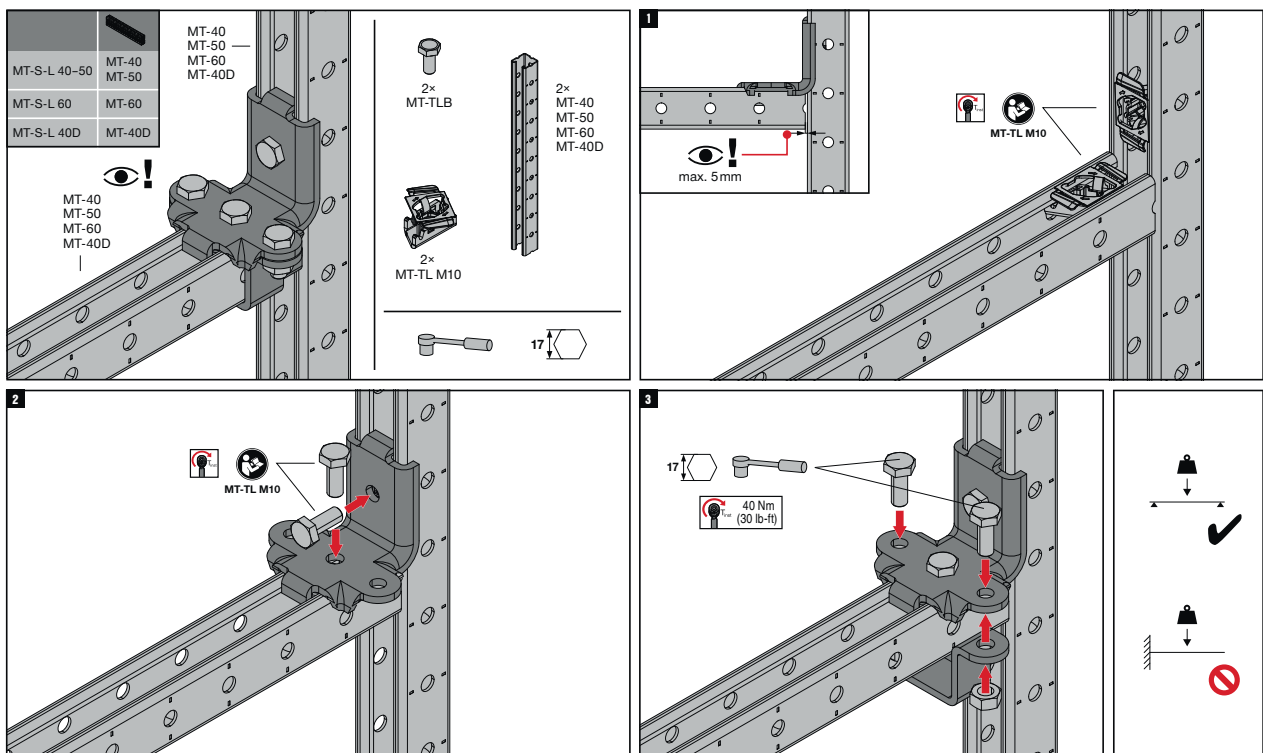


The latest IFU (Instruction For Use) is available on Hilti Online. Please check for any revisions before installing the product.

## MT-S-L Seismic angle bracket

### Operation instruction MT-S-L 40-50 / MT-S-L 60 / MT-S-L 40D MT-S-L 40-50 OC / MT-S-L 60 OC / MT-S-L 40D OC

2294626-09.2020



The latest IFU (Instruction For Use) is available on Hilti Online. Please check for any revisions before installing the product.

# MT-S-H1 Seismic Brace Base

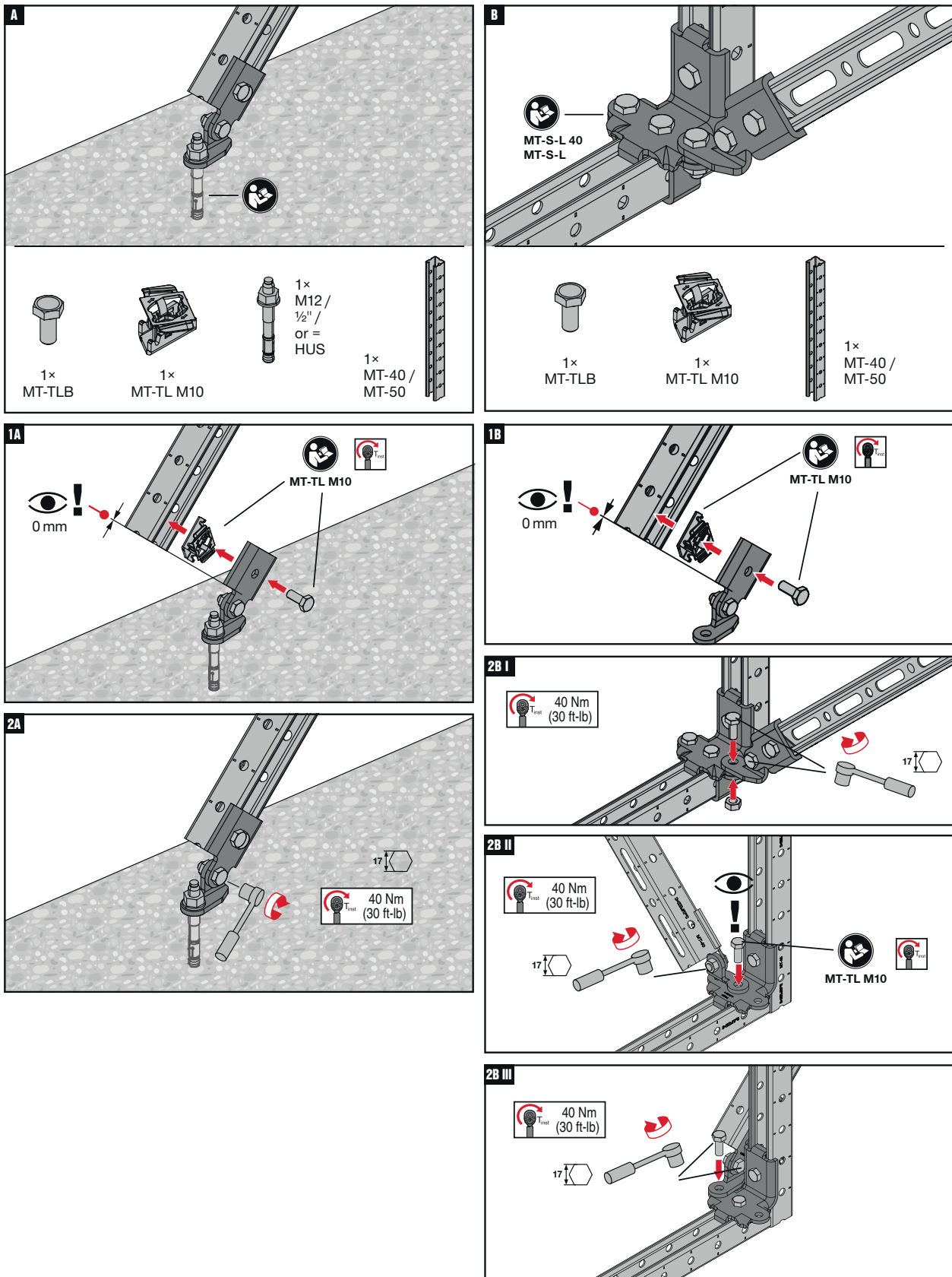
## Operation instruction

MT-S-H1 M10/ MT-S-H1 M12

MT-S-H1 M10 OC/ MT-S-H1 M12 OC

1

2294625-03.2022



The latest IFU (Instruction For Use) is available on Hilti Online. Please check for any revisions before installing the product.



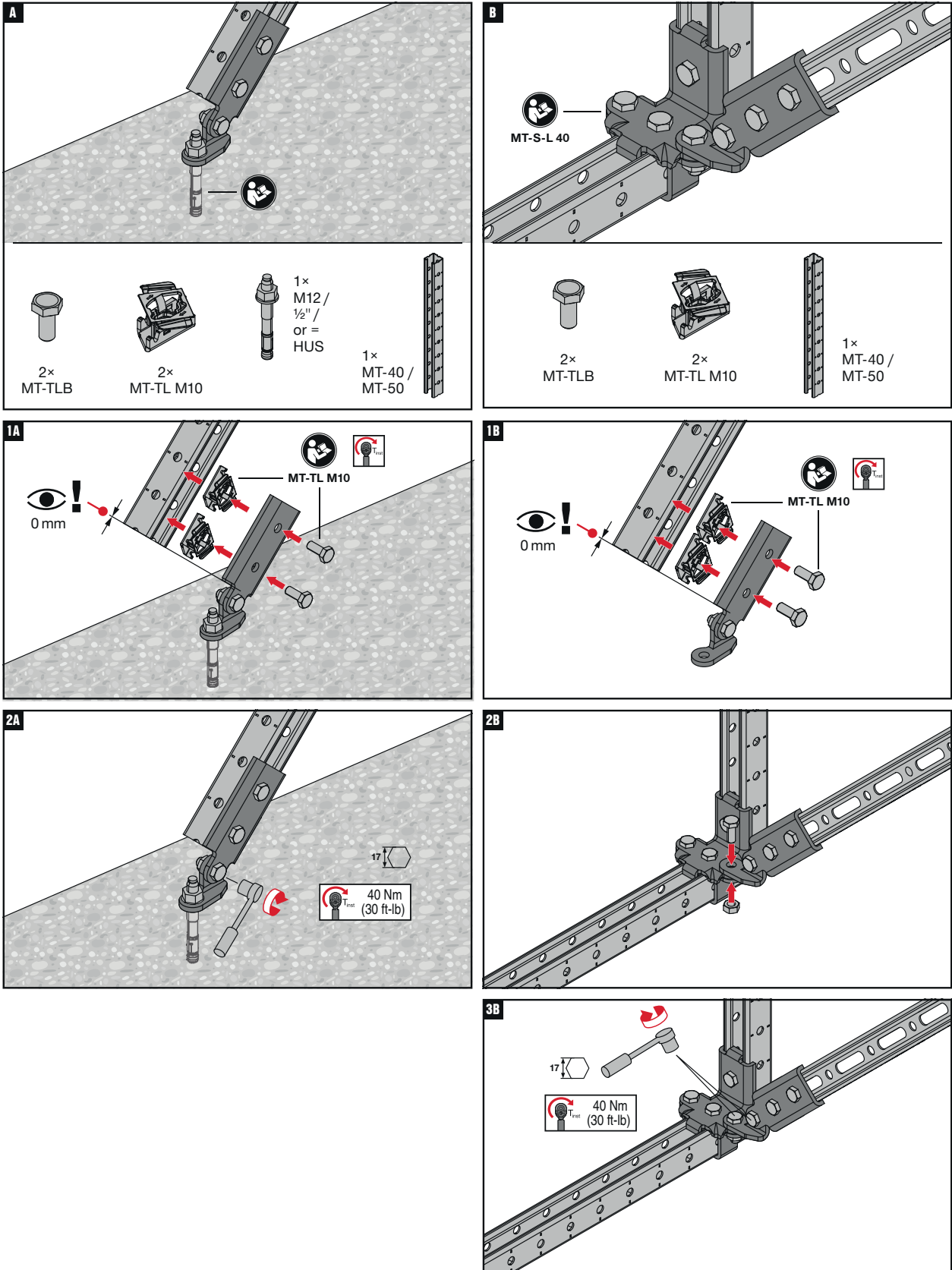
# MT-S-H2 Seismic Brace Base

## Operation instruction

MT-S-H2 M10/ MT-S-H2 M12

MT-S-H2 M10 OC/ MT-S-H2 M12 OC

2300064-10.2020

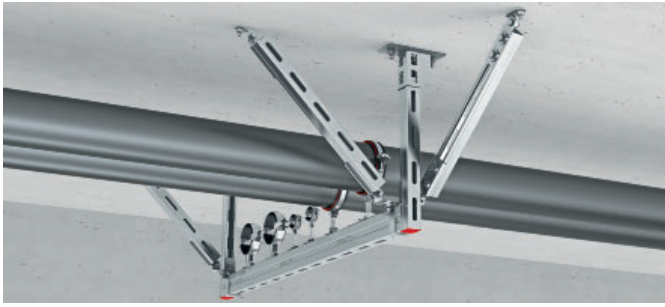


The latest IFU (Instruction For Use) is available on Hilti Online. Please check for any revisions before installing the product.

## MT-S-A Seismic hinge

Galvanized seismic hinge for use as a bracing component

9



### Applications

- Installing pipes, cable trays and air duct supports in seismic-relevant areas

### Advantages

- High load capacity – engineered for optimal transfer of seismic loads
- Easily combinable with other Hilti seismic components

### Technical data

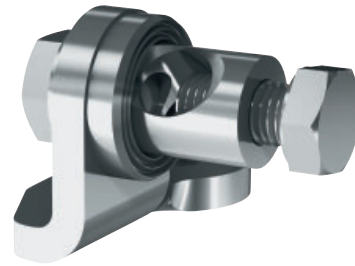
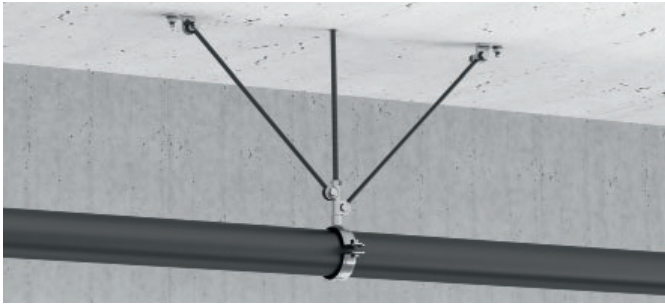
Material composition	S355 MC - DIN EN 10149-2
Surface finish	Indoor Coated - Electro galvanized

## MT-S-A Seismic hinge

Order Designation	Technical data	Sales pack quantity	Item number	
MT-S-A-8	Dry indoor conditions (C1) Indoor with temporary condensation (C2)	10 pc	2083721	
MT-S-A-10		10 pc	2083722	
MT-S-A-12		10 pc	2083723	
MT-S-A-16		10 pc	2083724	

## MT-S-AP Seismic rod hinge

Galvanized threaded rod hinge for seismic bracing of MEP support structures



### Applications

- Installing pipes, cable trays and air duct supports in seismic-relevant areas
- Fastening threaded rod seismic bracing to concrete or connecting to MQS-W seismic angles
- Recommended for use in dry, interior environments

### Technical data

<b>Material composition</b>	Baseplate: S355MC - DIN EN 10149-2, Pin: 11SMn30+C - DIN EN 10277-3, Threaded washer: 11SMn30+C - DIN EN 10277-3, Hexagon screws: Steel grade 8.8, Washer: Galvanized steel
<b>Surface finish</b>	Indoor Coated - Electro galvanized

### Advantages

- Rapid installation – helps to save time on-site thanks to single-anchor fastening: all you need is the single pre-assembled screw and no additional nuts
- High load capacity – designed for optimal seismic load transfer to the support
- Versatile – load range suitable for a wide range of light- and medium-duty MEP installations
- Engineering support available – contact your local Hilti team for project-specific advice
- Bracing pre-assembly possible – providing additional productivity in seismic support installation

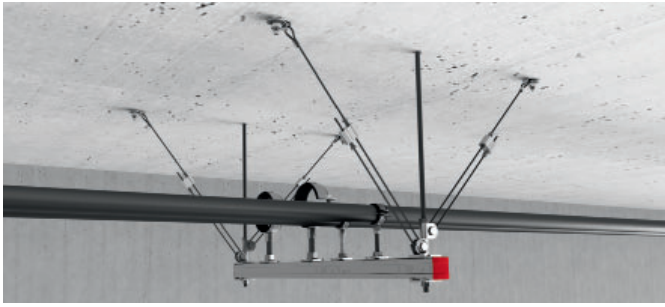
## MT-S-AP Seismic rod hinge

Order Designation	Technical data	Sales pack quantity	Item number	
MT-S-AP-8	Dry indoor conditions (C1) Indoor with temporary condensation (C2)	10 pc	2330874	
MT-S-AP-10		10 pc	2330875	
MT-S-AP-12		10 pc	2330876	

## MT-S-HR Seismic hinge

Galvanized seismic hinge for use as a bracing component

9



### Applications

- Installing pipes, cable trays and air duct supports in seismic-relevant areas
- Connecting threaded rod and wire seismic bracing to MEP support structures, such as trapeze and suspended pipe rings
- Recommended for use in dry, interior environments

### Advantages

- Retrofittable and adjustable – two-component design can more easily be post-installed to existing pipe/cable supports, with angle markings to make it easier to fix the rod at 45°
- Versatile – load range suitable for a wide range of light- and medium-duty MEP installations
- Engineering support available – contact your local Hilti team for project-specific advice

### Technical data

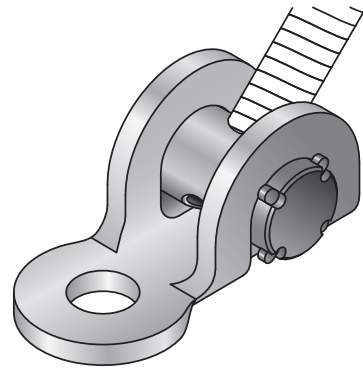
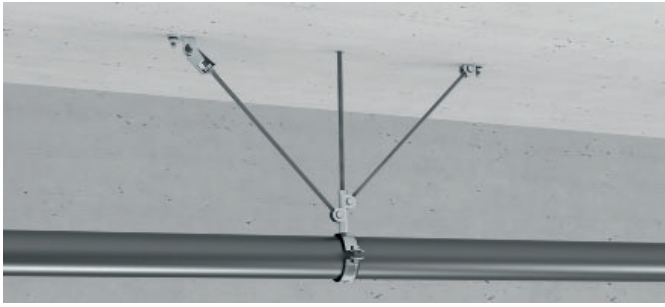
Material composition	Connector: S275JR - EN 10025-2, Pin: 11SMnPb37+C - DIN EN 10277-3
Surface finish	Indoor Coated - Electro galvanized

## MT-S-HR Seismic hinge

Order Designation	Technical data	Sales pack quantity	Item number	
MT-S-HR-8	Dry indoor conditions (C1) Indoor with temporary condensation (C2)	10 pc	2330877	
MT-S-HR-10		10 pc	2330878	

## MT-S-CH Seismic rod hinge

Galvanized pre-assembled threaded rod brace connector with increased load capacity for mounting to base material



### Applications

- Installing pipes, cable trays and air duct supports in seismic-relevant areas
- Assembling seismic bracing using threaded rods in a wide range of seismic applications

### Advantages

- Easier and quicker to mount to M10 threaded rod
- Maximum installation flexibility due to adjustable angle
- Higher load capacity – engineered for optimal transfer of seismic loads

### Technical data

Material composition	Connector: S275JR - DIN EN 10025, Pin: 11SMnPb37+C
Surface finish	Indoor Coated - Electro galvanized

## MT-S-CH Seismic rod hinge

Order Designation	Technical data	Sales pack quantity	Item number	
MT-S-CH-10	Dry indoor conditions (C1) Indoor with temporary condensation (C2)	10 pc	2083741	

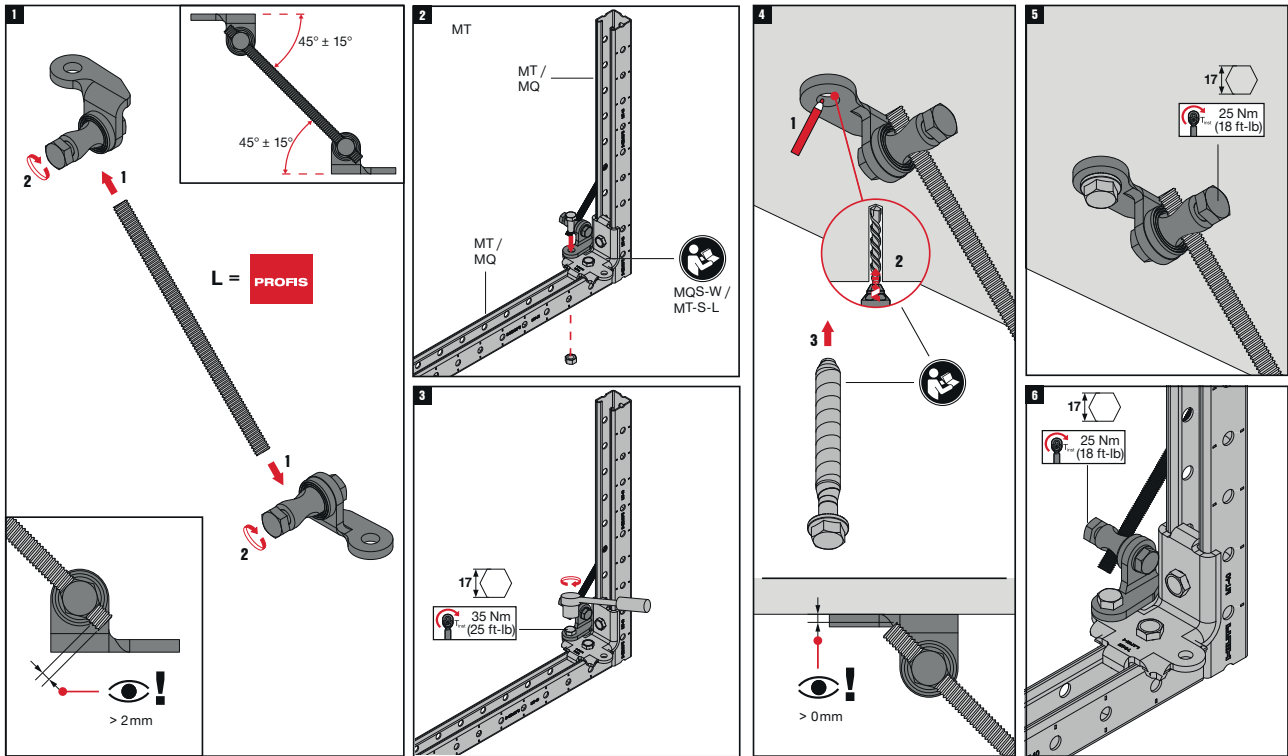
## MT-S-AP Seismic rod hinge

9

### Operation instruction

MT-S-AP-8 / MT-S-AP-10 / MT-S-AP-12

2332868-02.2022

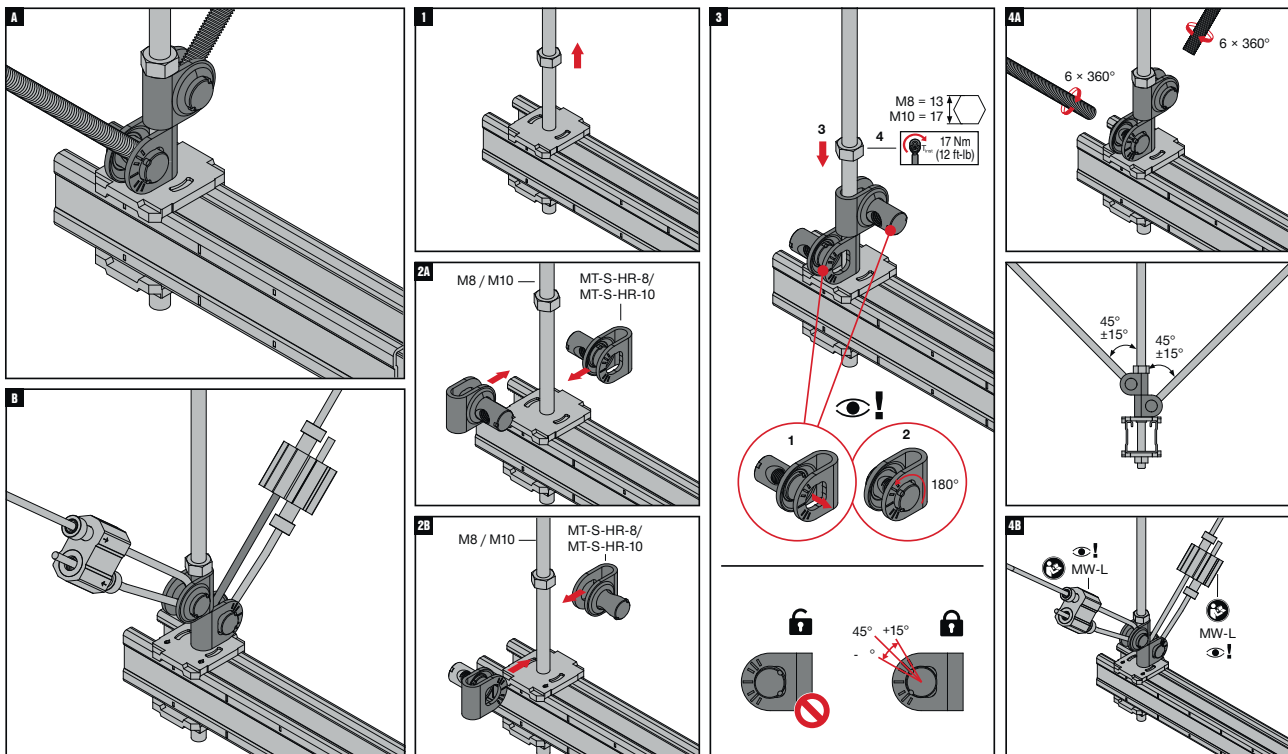


The latest IFU (Instruction For Use) is available on Hilti Online. Please check for any revisions before installing the product.

## MT-S-HR Seismic hinge

### Operation instruction

MT-S-HR-8 / MT-S-HR-10

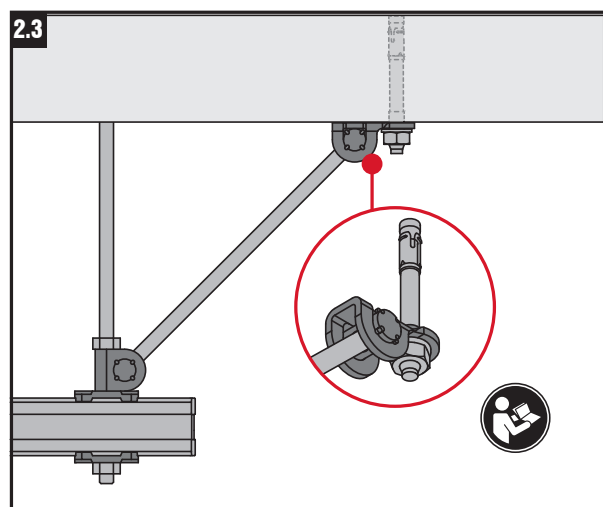
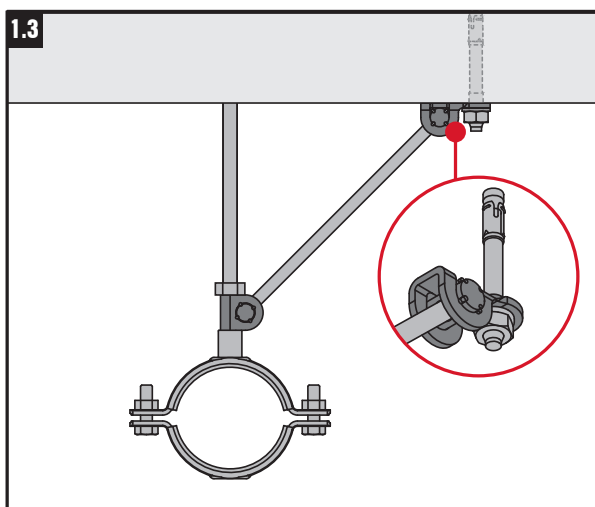
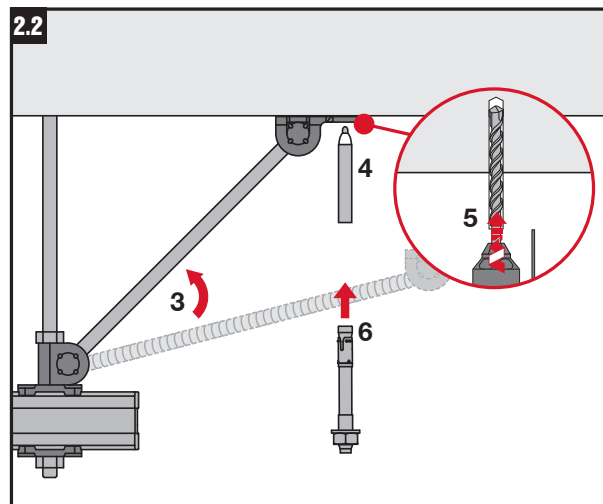
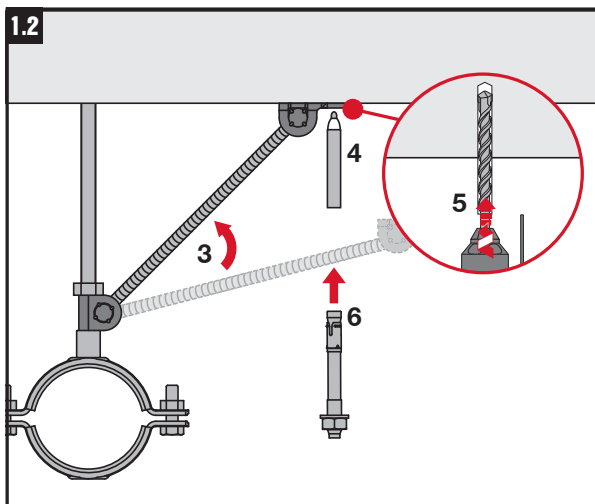
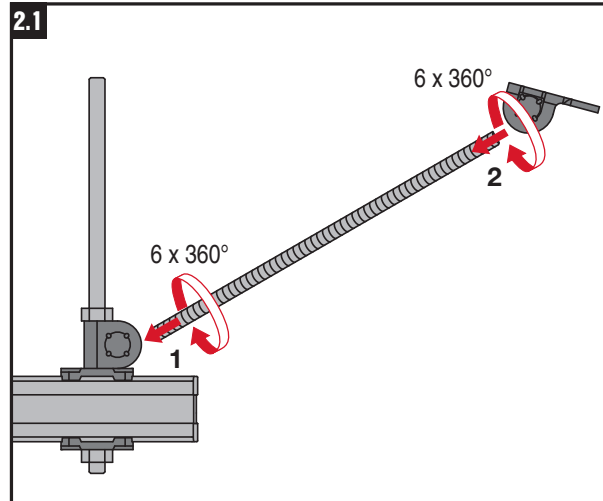
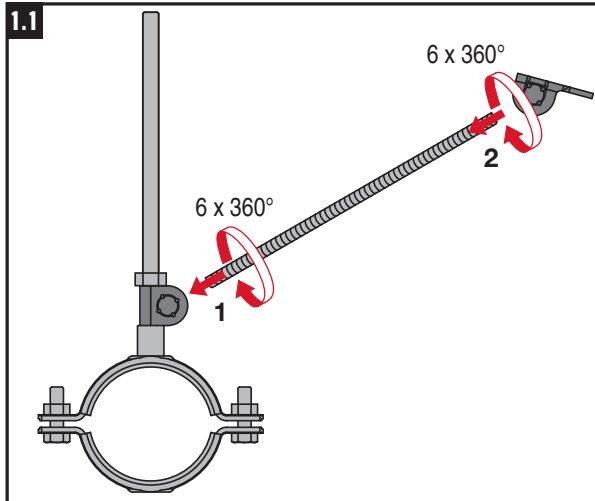


The latest IFU (Instruction For Use) is available on Hilti Online. Please check for any revisions before installing the product.



## / MT-S-CH

2087666-12.2021



The latest IFU (Instruction For Use) is available on Hilti Online. Please check for any revisions before installing the product.



Hilti Corporation  
9494 Schaan Liechtenstein  
Tel.: +423-234 2111

[www.facebook.com/hiltigroup](https://www.facebook.com/hiltigroup)  
[www.hilti.group](https://www.hilti.group)