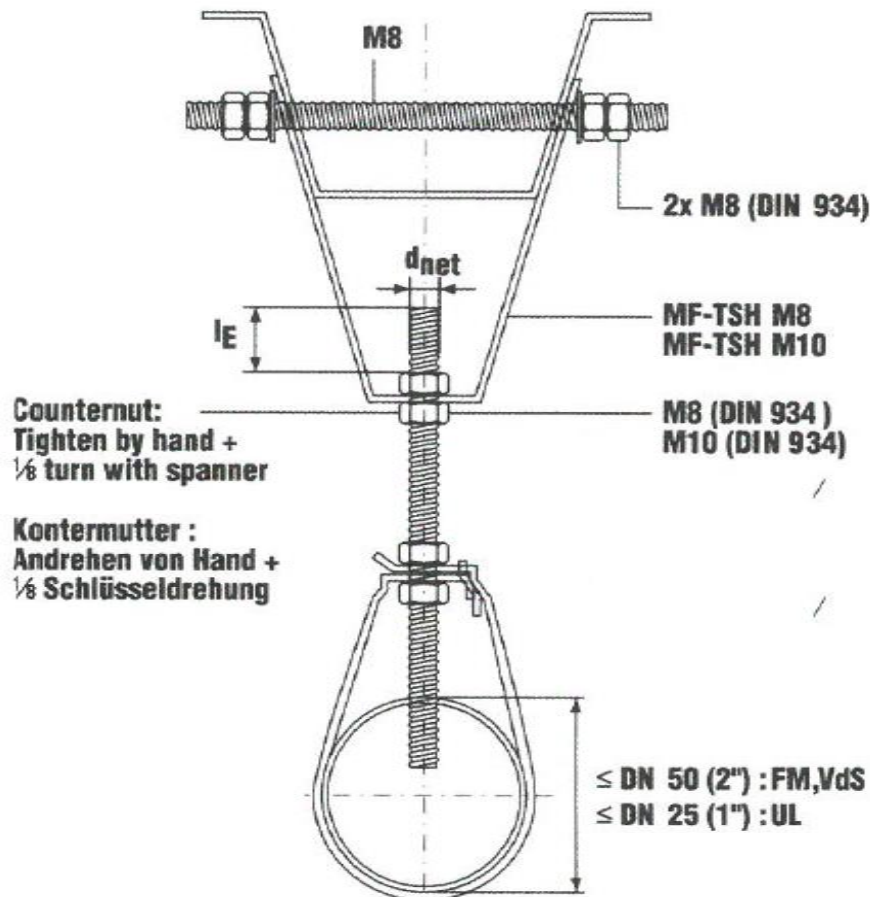


Installation instructions for decking hanger MF-TSH M8/M10 Montageanleitung Trapezblechhänger MF-TSH M8/M10



	FM	VdS	UL
IE [mm]	d _{net}	d _{net}	d _{net}
≥ 20	M10	M8/ M10	M10
	≤ DN 50 (2'')	≤ DN 50 (2'')	≤ DN 25 (1'')